

US00D784632S

(12) **United States Design Patent**  
**Rider**

(10) **Patent No.:** **US D784,632 S**

(45) **Date of Patent:** **\*\* Apr. 18, 2017**

(54) **BUCKLE FOR A STIRRUP STRAP**

(71) Applicant: **Jimmy R. Rider**, Minco, OK (US)

(72) Inventor: **Jimmy R. Rider**, Minco, OK (US)

(\*\*) Term: **14 Years**

(21) Appl. No.: **29/520,161**

(22) Filed: **Mar. 11, 2015**

(51) **LOC (10) Cl.** ..... **30-04**

(52) **U.S. Cl.**  
USPC ..... **D30/139**; D11/216; D11/231

(58) **Field of Classification Search**  
USPC ..... D11/200, 216, 218, 220, 231–238;  
D8/383; D30/134–142  
CPC ..... B68C 1/16; B68C 1/14; Y10T 24/4042;  
Y10T 24/4044; Y10T 24/4035; Y10T  
24/4007; Y10T 24/4033; Y10T 24/4002;  
A44B 11/22; A44B 11/226; A44B 11/20  
See application file for complete search history.

(56) **References Cited**

U.S. PATENT DOCUMENTS

1,365,551 A	1/1921	Settles	
1,752,544 A	4/1930	Sparrow	
1,764,240 A	6/1930	Blustein	
2,634,480 A *	4/1953	Ray	A44B 11/223 24/180
3,096,552 A	7/1963	Kreger, Jr.	
3,205,637 A	9/1965	Welton	
3,209,423 A	10/1965	Cattin	
3,314,121 A	4/1967	Blevins et al.	
3,886,632 A	6/1975	Bako	
4,141,198 A	2/1979	Gaertner	
4,233,712 A	11/1980	Horst et al.	
D260,307 S *	8/1981	Horst	D30/139
4,424,636 A	1/1984	Everest	
D303,232 S *	9/1989	Lortz	D11/216
4,960,354 A	10/1990	Moore	
5,031,387 A	7/1991	Rider	

5,354,088 A	10/1994	Vetter et al.	
5,452,498 A	9/1995	Veach	
D376,995 S *	12/1996	Veach	D11/216
5,732,448 A	3/1998	Shields et al.	
5,857,247 A	1/1999	Warrick et al.	
5,896,626 A	4/1999	Birkenstock	
6,748,727 B1 *	6/2004	Schulte	B68C 1/16 54/46.1
D630,127 S *	1/2011	Johnson	D11/216
8,424,547 B1	4/2013	Ma et al.	
D691,920 S *	10/2013	Smith	D11/231
2014/0075723 A1 *	3/2014	Iten	A44B 11/226 24/193
2015/0259191 A1 *	9/2015	Rider	B68C 1/16 24/181
2016/0081439 A1 *	3/2016	Catanese	A44C 5/246 63/3.1

\* cited by examiner

*Primary Examiner* — George D Kirschbaum

*Assistant Examiner* — Jennifer Watkins

(74) *Attorney, Agent, or Firm* — Dunlap Coddling, P.C.

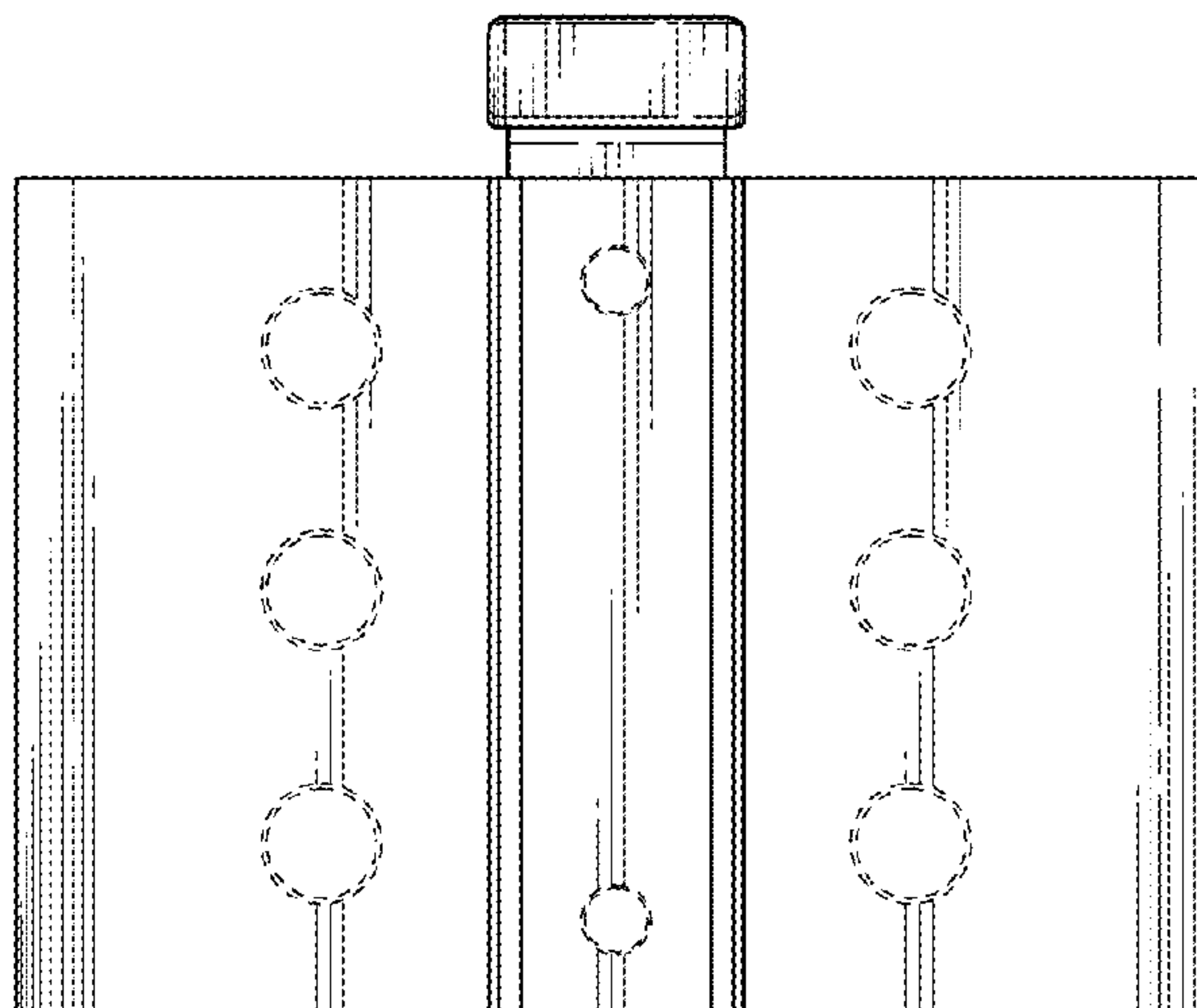
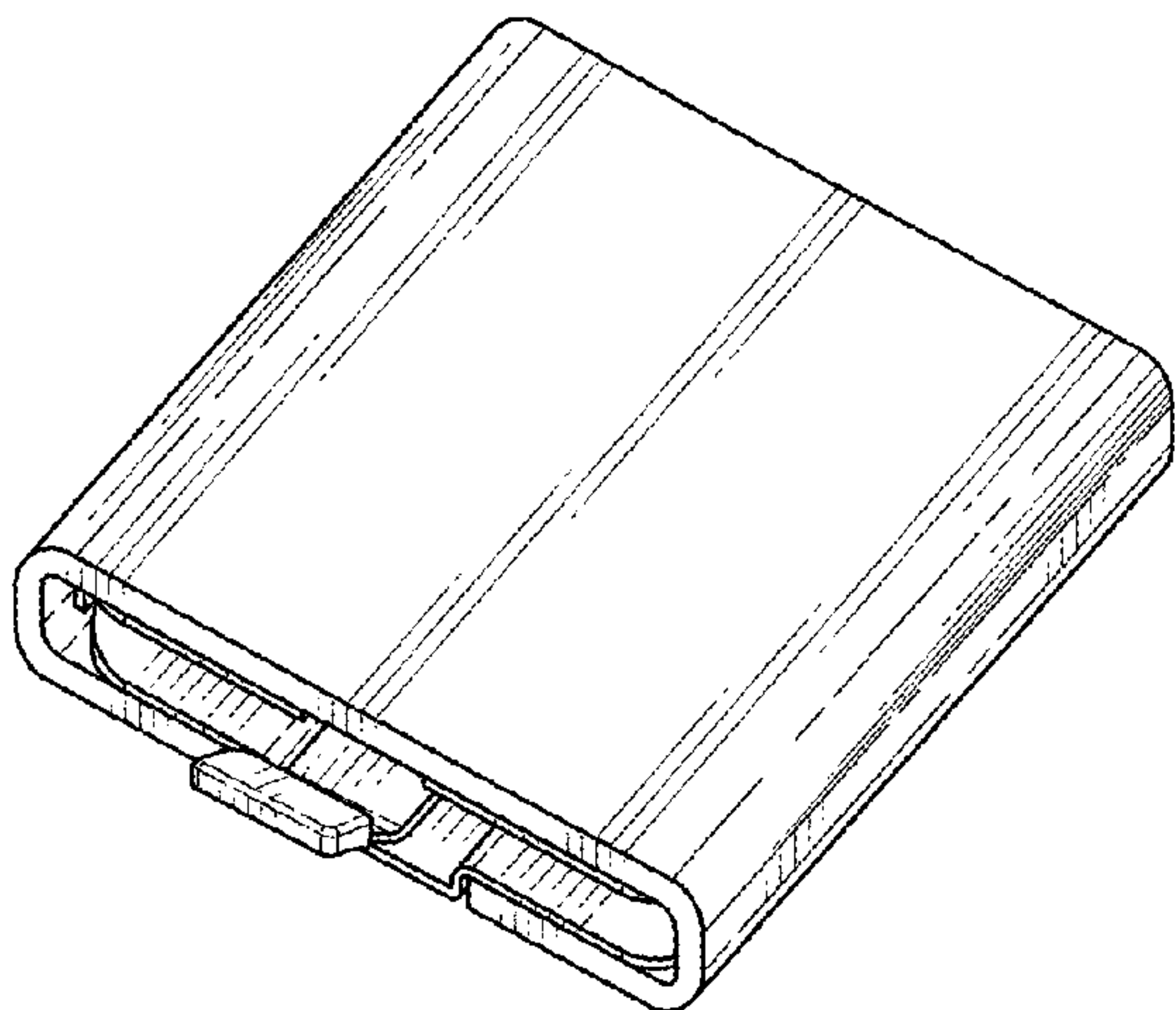
(57) **CLAIM**

The ornamental design for a buckle for a stirrup strap, as shown and described.

**DESCRIPTION**

FIG. 1 is a perspective view of a buckle for a stirrup strap showing my new design.  
FIG. 2 is a top plan view thereof.  
FIG. 3 is a front elevational view thereof.  
FIG. 4 is a side elevational view thereof.  
FIG. 5 is a rear elevational view thereof.  
FIG. 6 is a side elevational view of a side opposite that shown in FIG. 4; and,  
FIG. 7 is a bottom plan view thereof.  
The broken lines in the drawings are for the purpose of illustrating environment only and form no part of the claimed design.

**1 Claim, 3 Drawing Sheets**



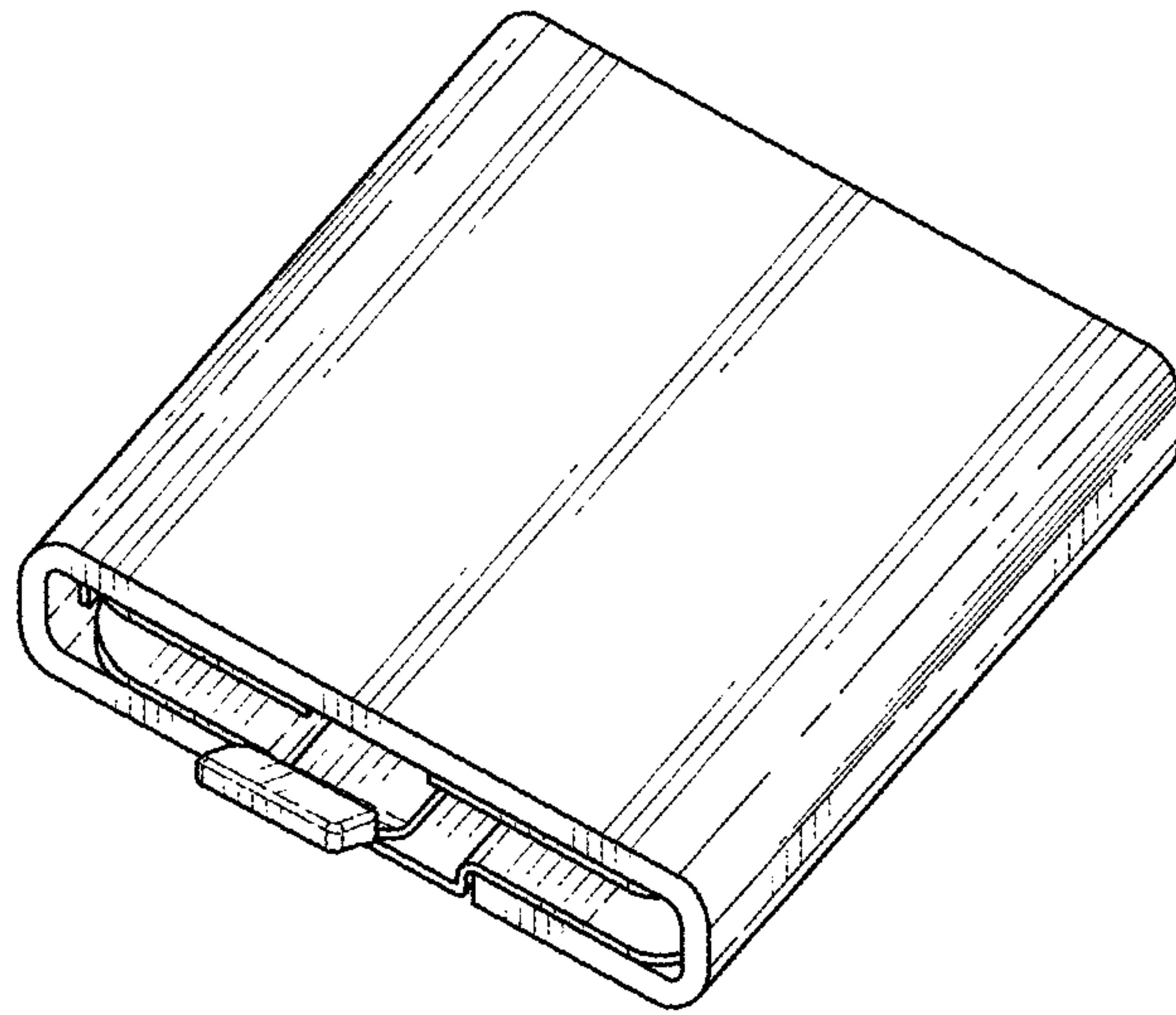


FIG. 1

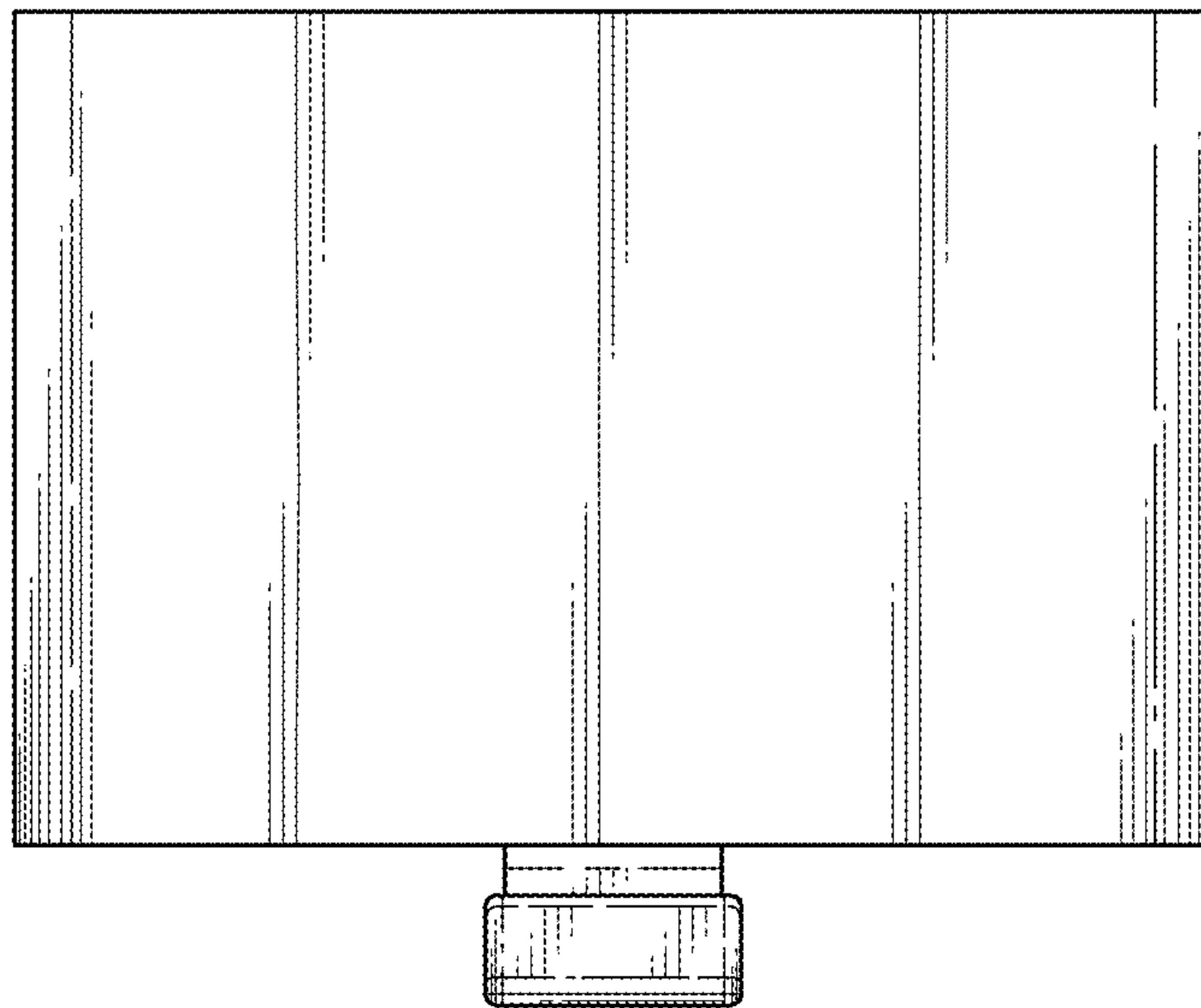


FIG. 2

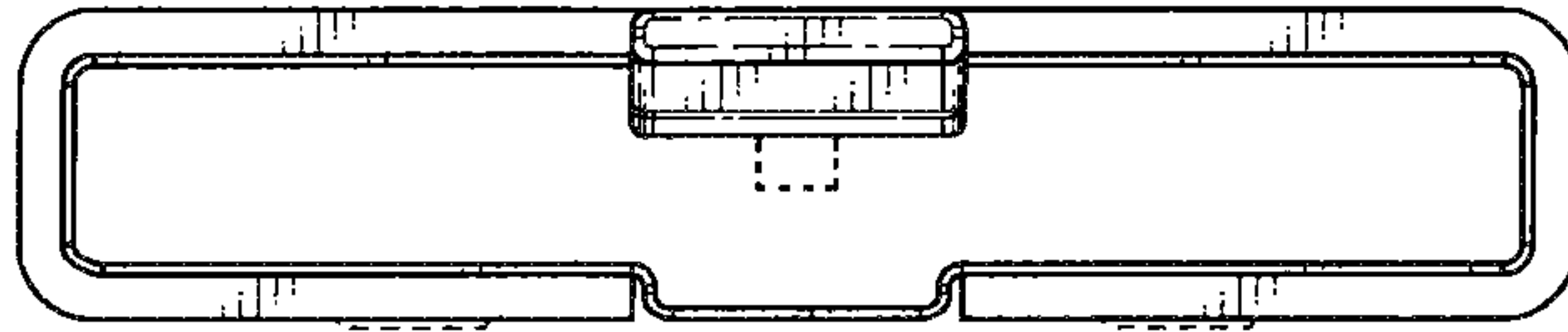


FIG. 3

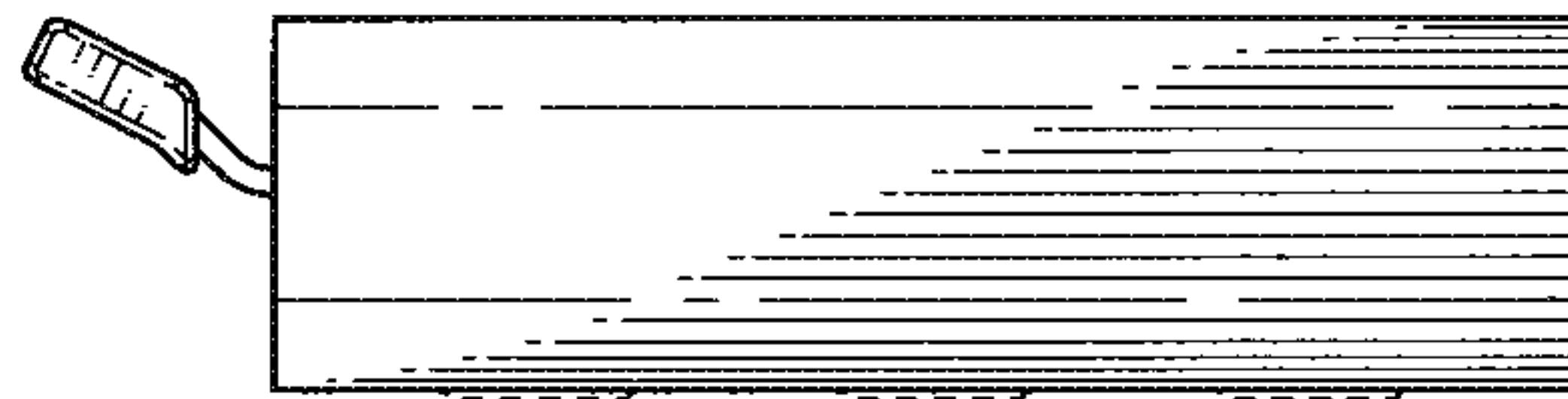


FIG. 4

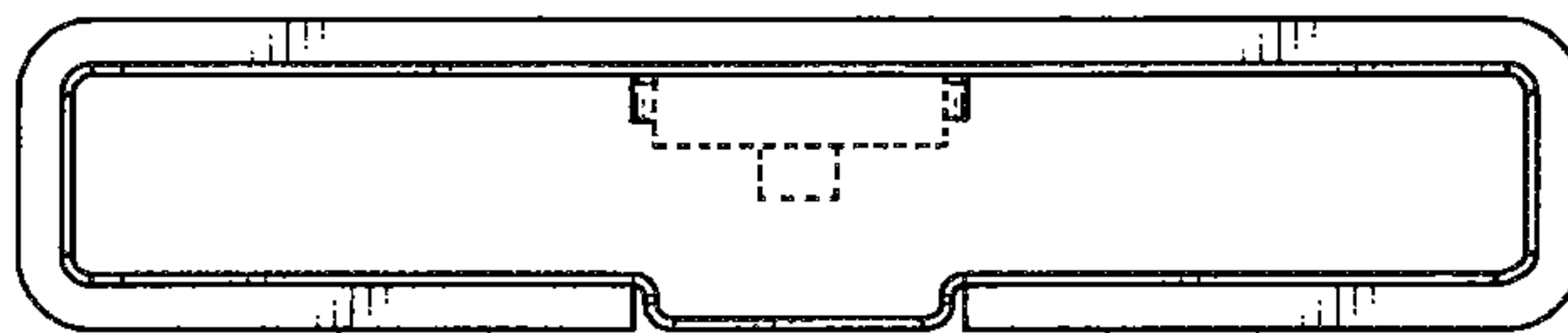


FIG. 5

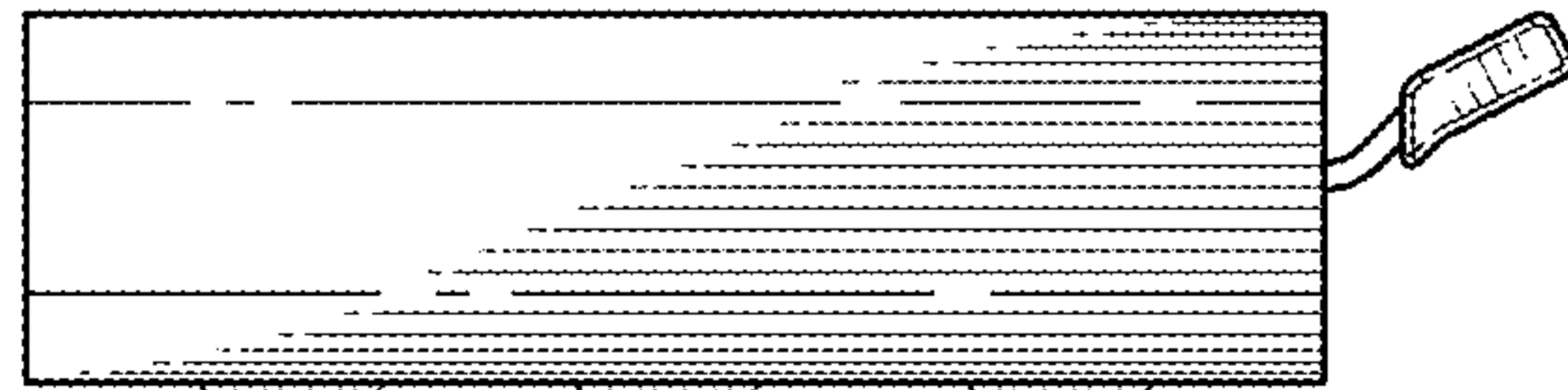


FIG. 6

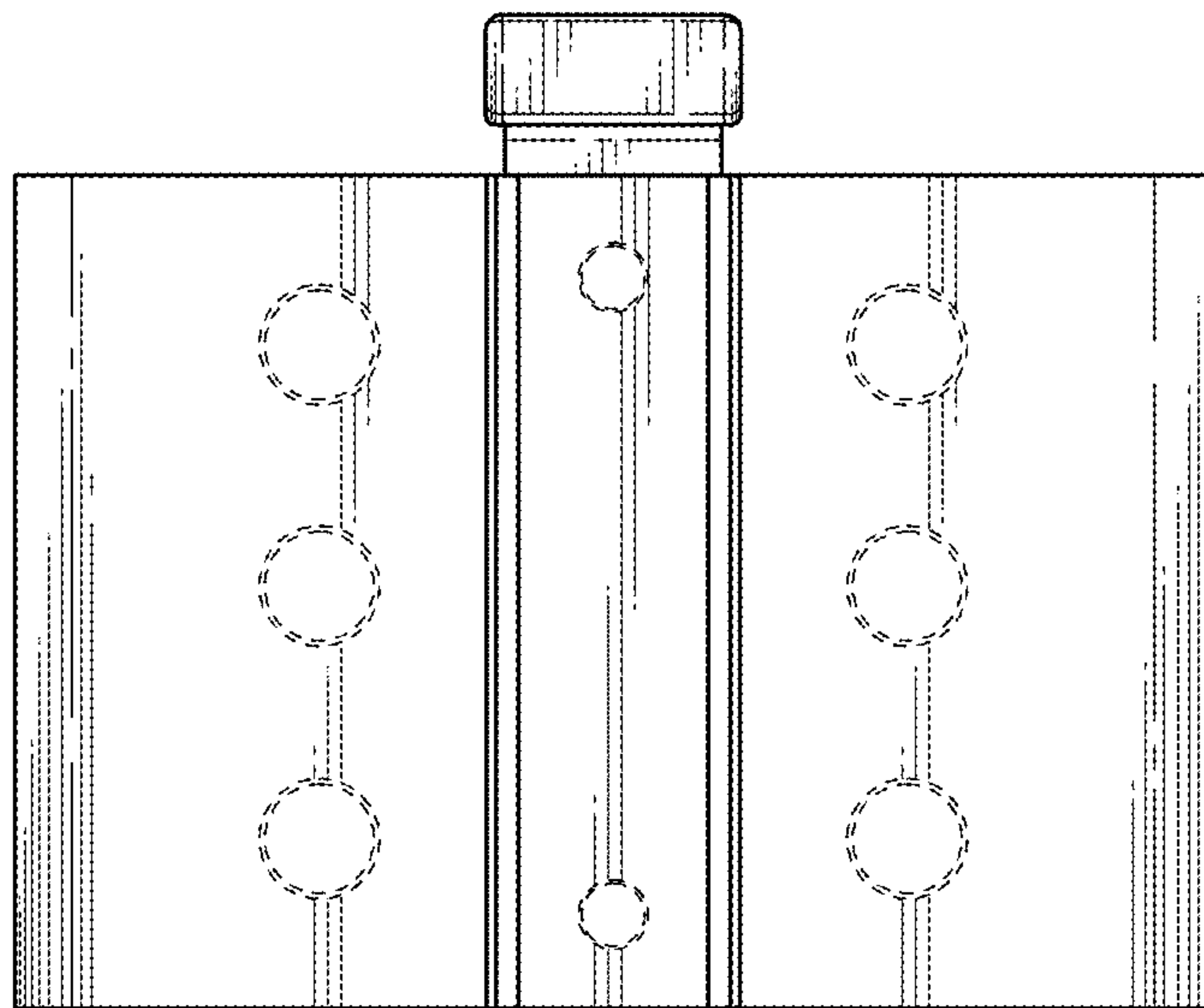


FIG. 7