



US00D784627S

(12) **United States Design Patent**
Williams

(10) **Patent No.:** **US D784,627 S**

(45) **Date of Patent:** **** Apr. 18, 2017**

(54) **BUMP CAP IMPACT PAD**

(71) Applicant: **JSP Limited**, Minster Lovell, Witney,
Oxfordshire (GB)

(72) Inventor: **Mark Williams**, Minster Lovell (GB)

(73) Assignee: **JSP Limited** (GB)

(**) Term: **15 Years**

(21) Appl. No.: **29/553,130**

(22) Filed: **Jan. 28, 2016**

(30) **Foreign Application Priority Data**

Sep. 28, 2015 (EM) 002802181

(51) **LOC (10) Cl.** **29-02**

(52) **U.S. Cl.**
USPC **D29/122**

(58) **Field of Classification Search**
USPC D29/102-107, 122; 2/5, 6.1, 6.3, 6.7,
2/41-412, 414, 422-425, 9, 10; D2/869,
D2/870, 872, 882, 884, 891
CPC A42B 3/00; A42B 3/127; F41H 1/08
See application file for complete search history.

(56) **References Cited**

U.S. PATENT DOCUMENTS

D617,503 S * 6/2010 Szalkowski D29/122
D637,356 S * 5/2011 Green D29/122
D640,422 S * 6/2011 Green D29/122

8,209,784 B2 * 7/2012 Nimmons A42B 3/20
2/411
D713,603 S * 9/2014 Vito A42B 3/127
D29/102
9,320,311 B2 * 4/2016 Szalkowski A42B 3/12
9,420,843 B2 * 8/2016 Cormier A42B 3/124

* cited by examiner

Primary Examiner — Randall Gholson

(74) *Attorney, Agent, or Firm* — King & Schickli, PLLC

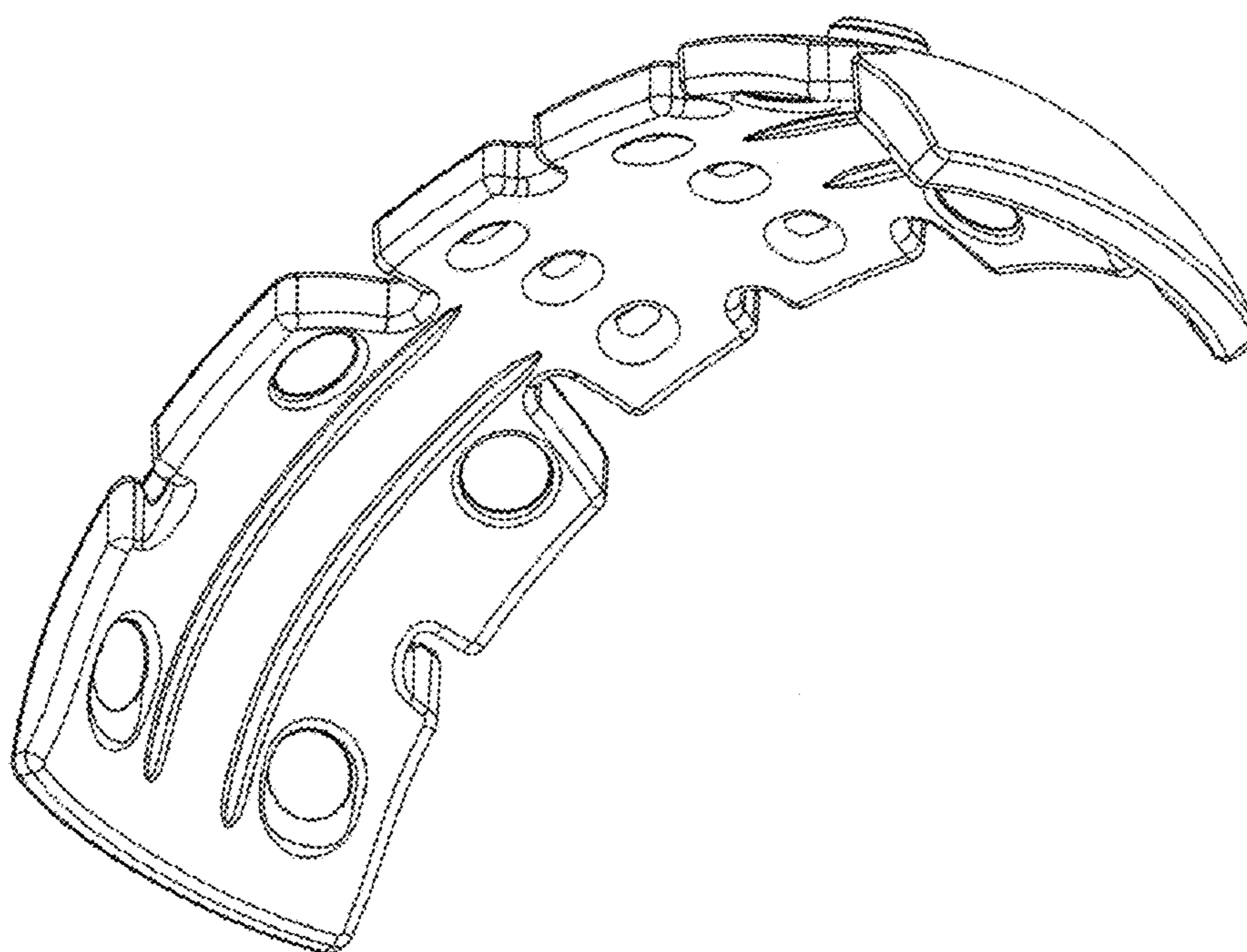
(57) **CLAIM**

The ornamental design for a bump cap impact pad, as shown and described.

DESCRIPTION

FIG. 1 is a base isometric view of the design;
FIG. 2 is a top view of the design;
FIG. 3 is a side view of the design;
FIG. 4 is a front view of the design;
FIG. 5 is a rear view of the design;
FIG. 6 is a bottom view of the design; and,
FIG. 7 is a top isometric view.

1 Claim, 4 Drawing Sheets



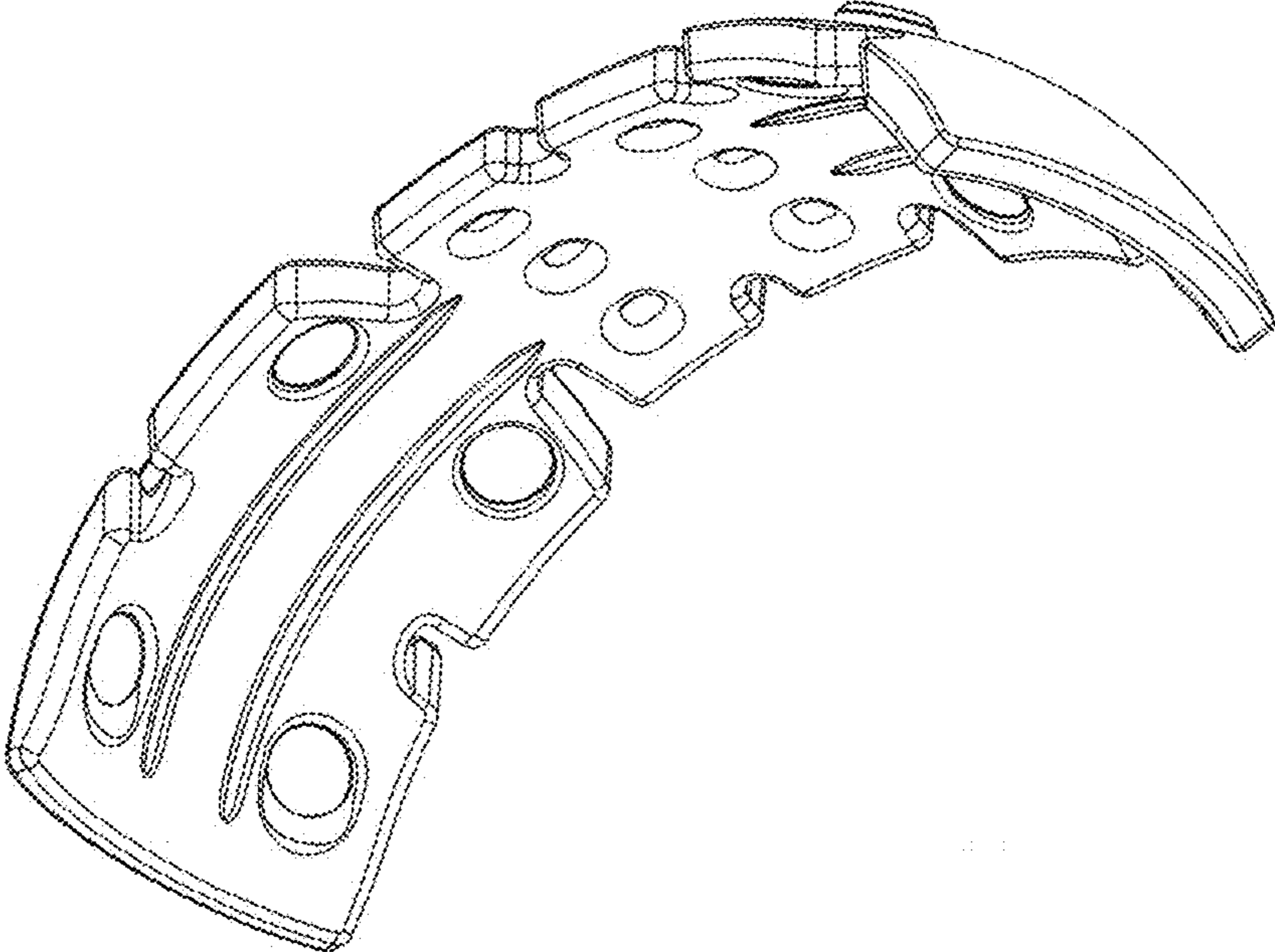


Fig. 1

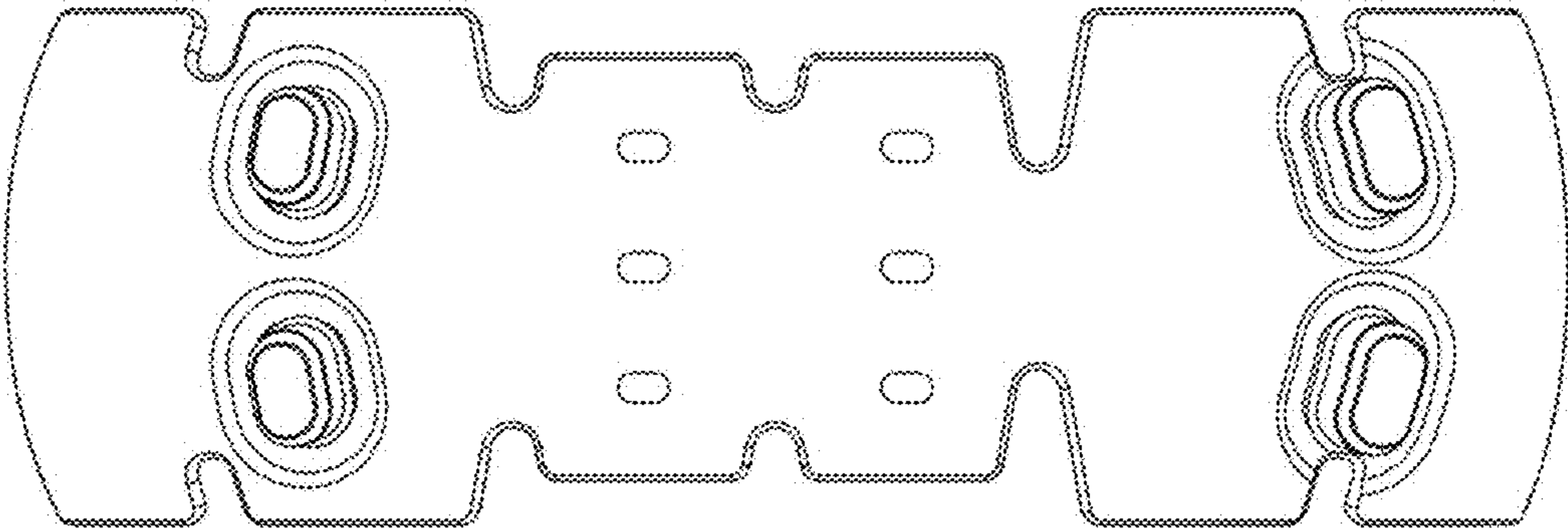


Fig. 2

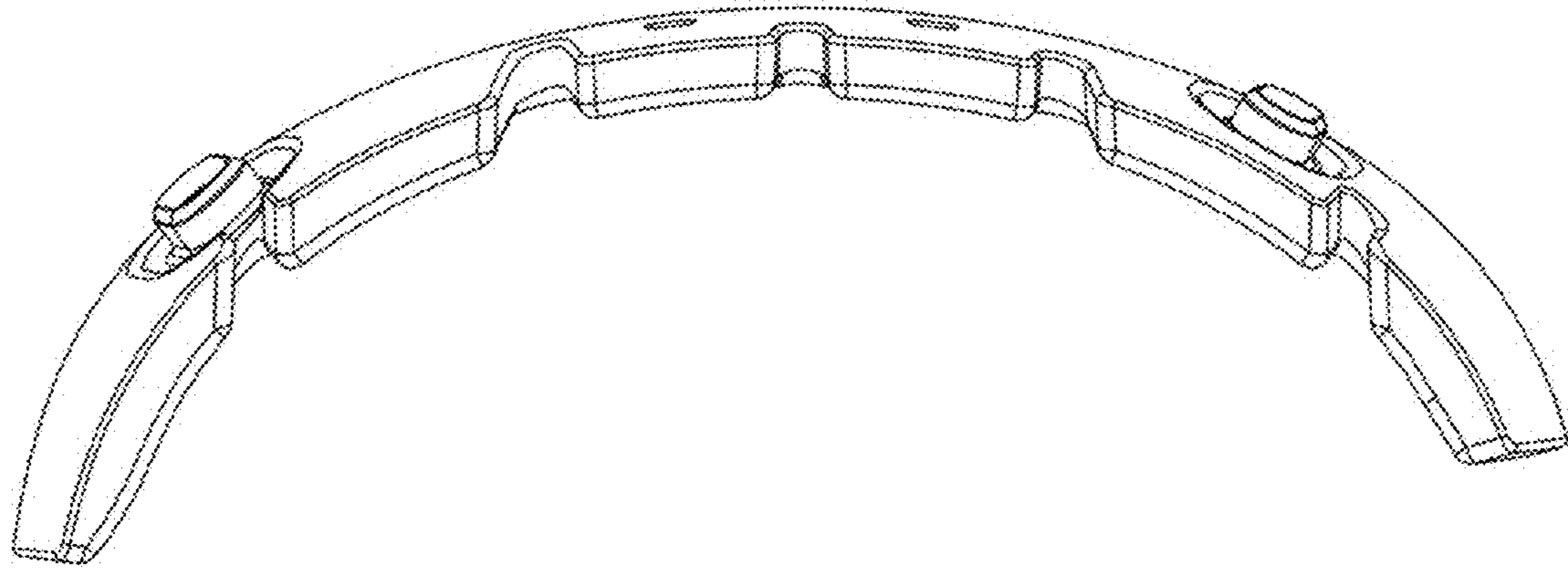


Fig. 3

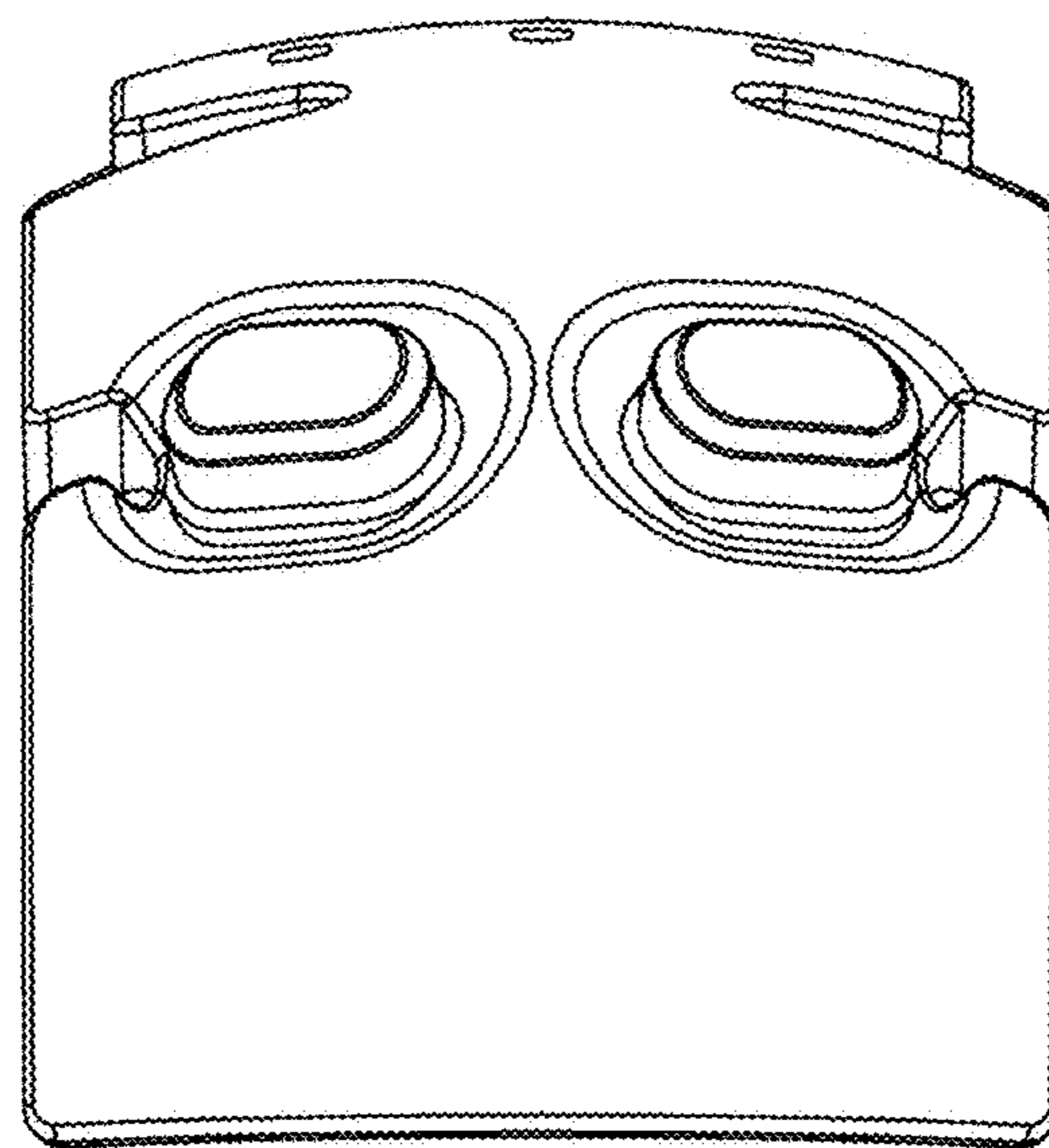


Fig. 4

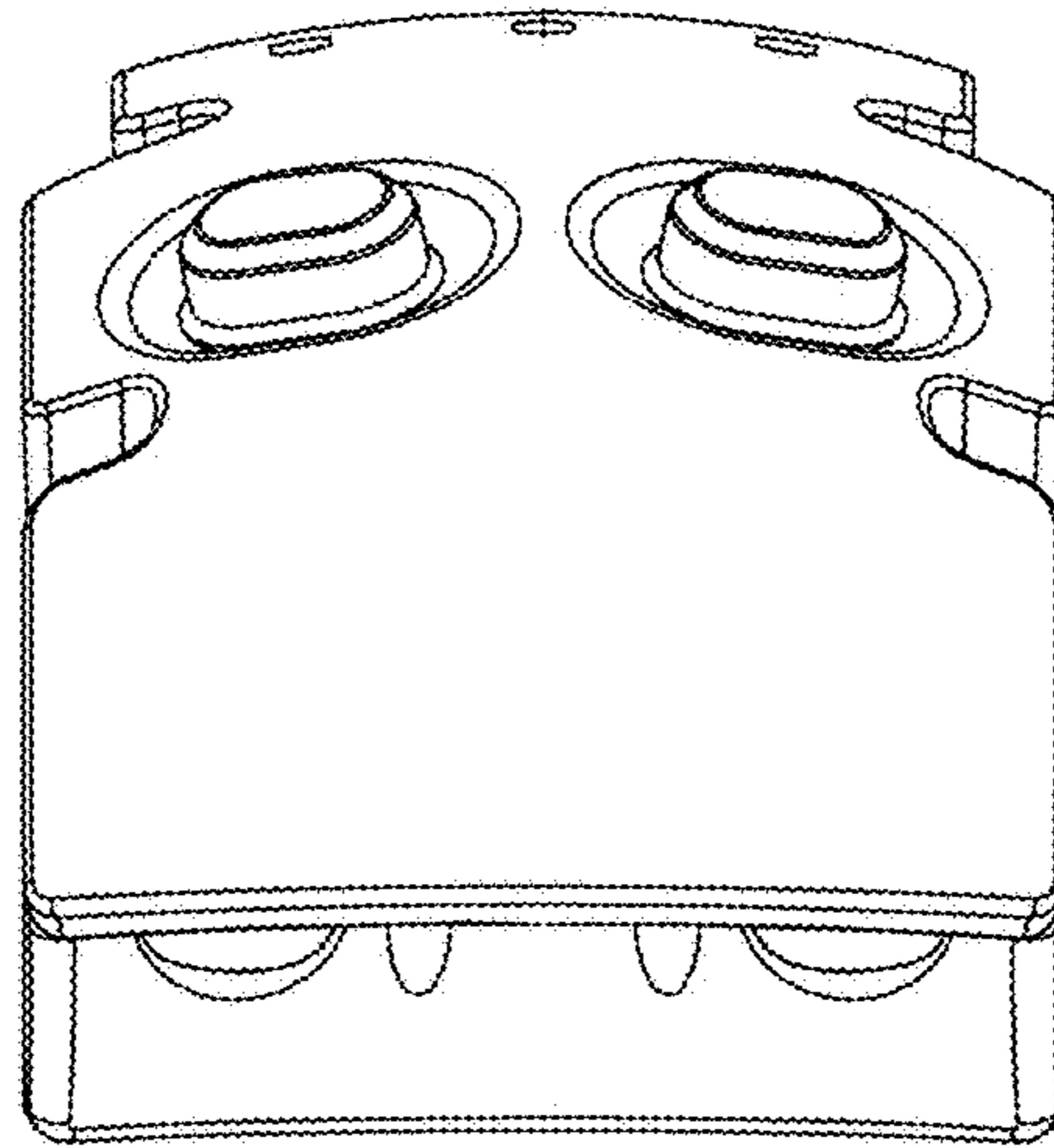


Fig. 5

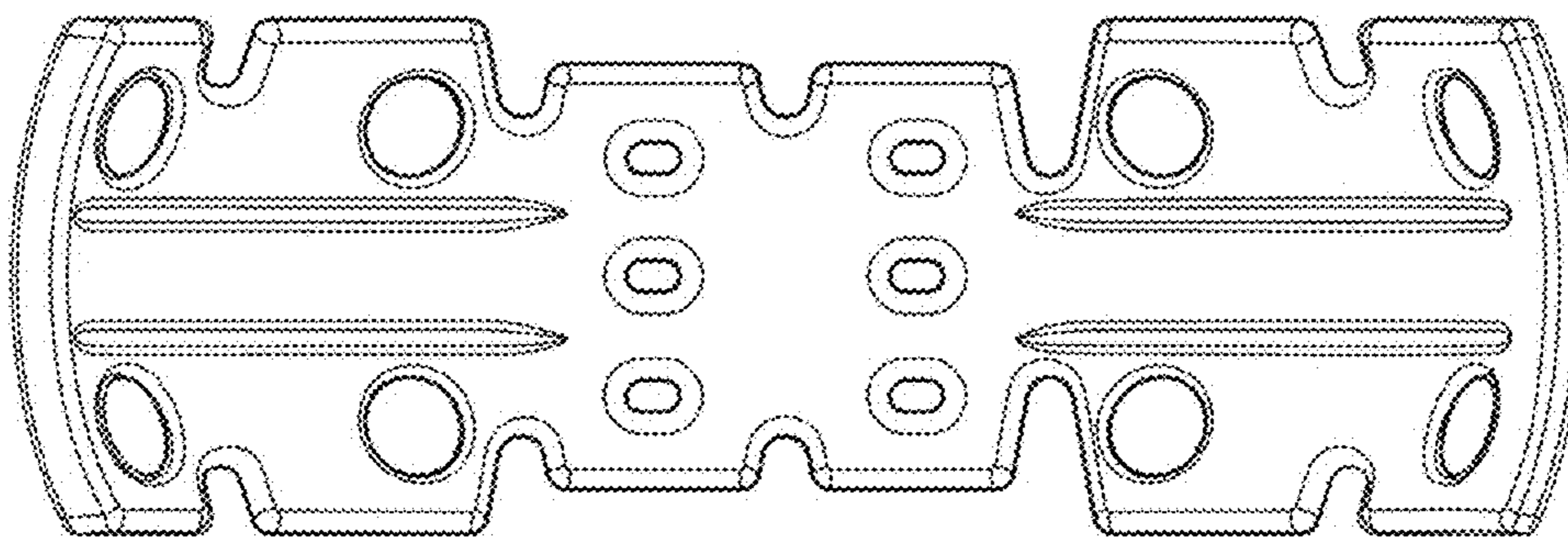


Fig. 6

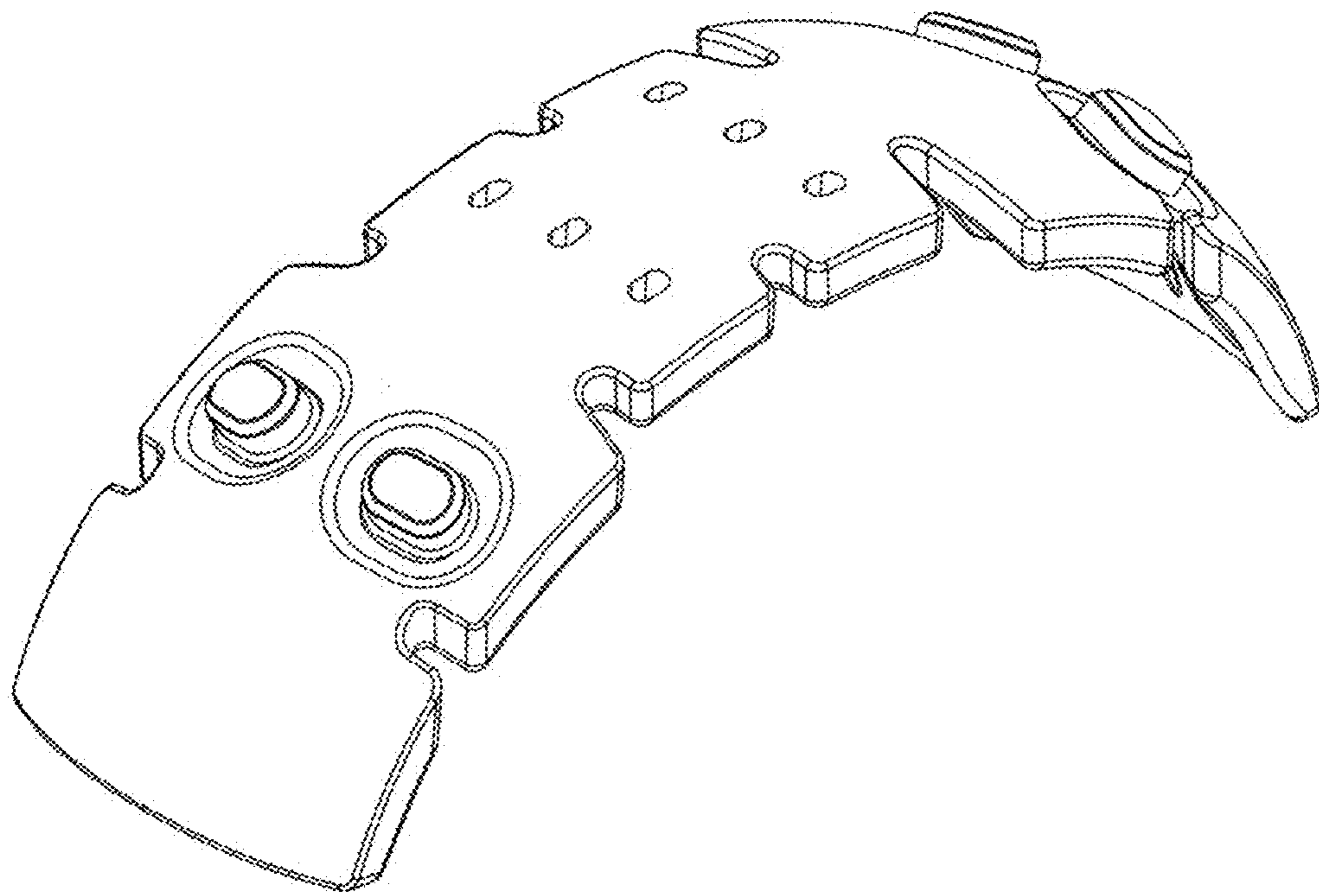


Fig. 7