



US00D784622S

(12) **United States Design Patent**
Pierce

(10) **Patent No.:** **US D784,622 S**

(45) **Date of Patent:** **** Apr. 18, 2017**

(54) **KNEEPAD**

(71) Applicant: **James Pierce**, Houston, TX (US)

(72) Inventor: **James Pierce**, Houston, TX (US)

(**) Term: **15 Years**

(21) Appl. No.: **29/551,330**

(22) Filed: **Jan. 12, 2016**

(51) **LOC (10) Cl.** **29-02**

(52) **U.S. Cl.**
USPC **D29/121.1**

(58) **Field of Classification Search**
USPC D29/10, 11, 100, 101.5, 122, 121.1;
D2/711, 713; 128/95.1, 96.1, 98.1, 846,
128/891; 602/67, 72, 73, 96, 108, 114;
2/2, 455; 450/38, 228, 267, 403, 405;
623/7; 604/352, 353, 395
CPC A41D 13/05; A41D 13/0525; A63B 71/08
See application file for complete search history.

(56) **References Cited**

U.S. PATENT DOCUMENTS

D322,146 S	12/1991	Anderson	
5,594,954 A *	1/1997	Huang	A41D 13/065 2/16
D377,851 S *	2/1997	Dancyger	D29/121.1
D408,596 S	4/1999	Dancyger	
6,029,273 A *	2/2000	McCrane	A41D 13/065 2/16

D430,362 S *	8/2000	Pagotto	D29/121.1
D440,017 S *	4/2001	Pagotto	D29/121.1
D473,019 S *	4/2003	Beutler	D29/121.1
D594,160 S *	6/2009	Worden	D29/121.1
D733,895 S	7/2015	Wratten	

* cited by examiner

Primary Examiner — Randall Gholson

(74) *Attorney, Agent, or Firm* — Andrew W. Chu; Craft Chu PLLC

(57) **CLAIM**

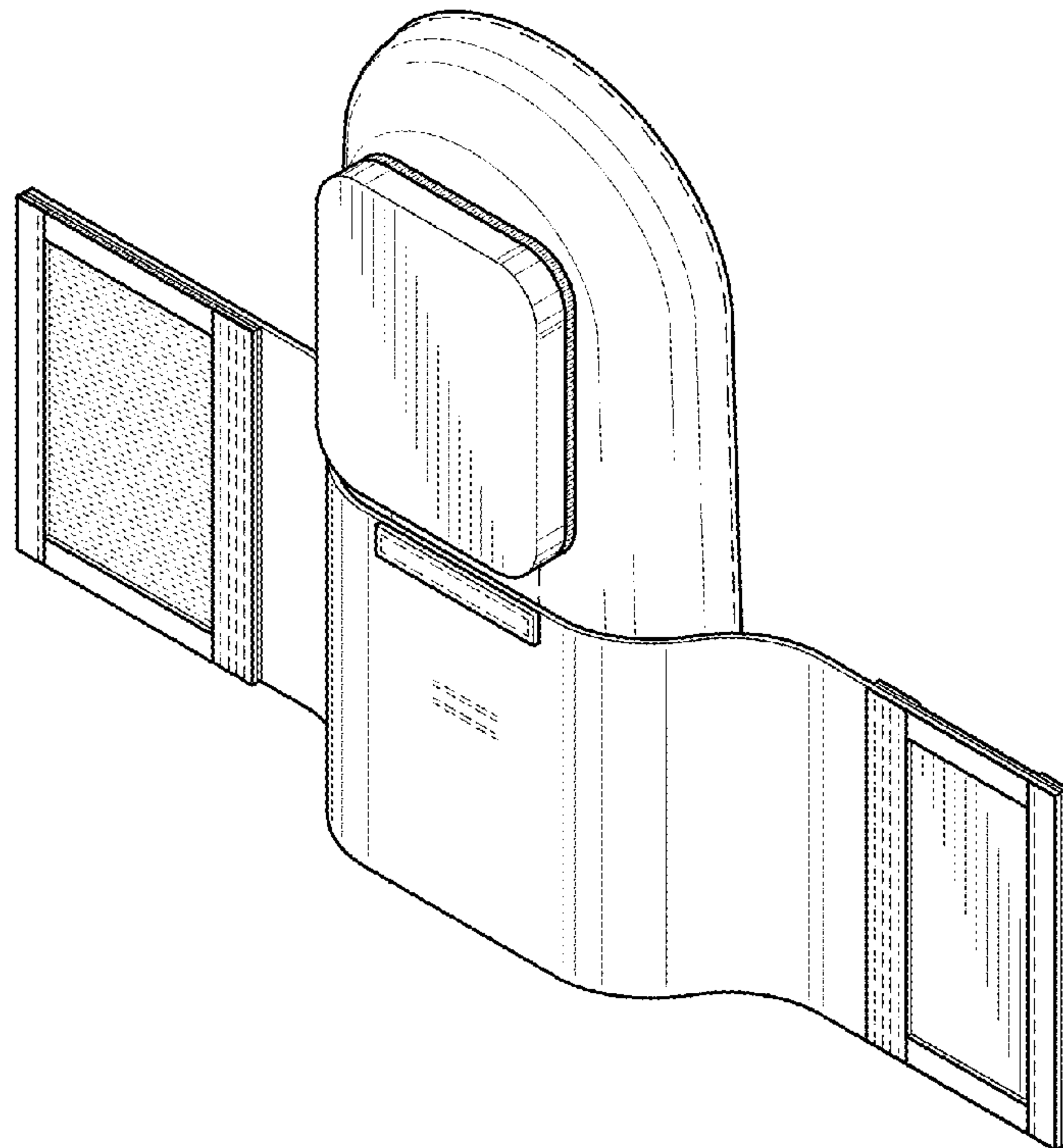
The ornamental design for a kneepad, as shown and described.

DESCRIPTION

FIG. 1 is an upper perspective view of the kneepad showing my design.
FIG. 2 is a front elevation view thereof;
FIG. 3 is a back elevation view thereof;
FIG. 4 is an alternate left side elevation view thereof, showing the detached front pad from the kneepad;
FIG. 5 is a right side elevation view of the kneepad;
FIG. 6 is a top plan view thereof;
FIG. 7 is a bottom plan view thereof; and,
FIG. 8 is another perspective view thereof, showing attachment to a knee in broken lines.

The kneepad is shown with broken lines. The broken lines in FIGS. 1-7 illustrate stitching, which is not a claimed feature of the design. The broken lines in FIG. 8 illustrate stitching and a knee, which are also not claimed features of the design.

1 Claim, 3 Drawing Sheets



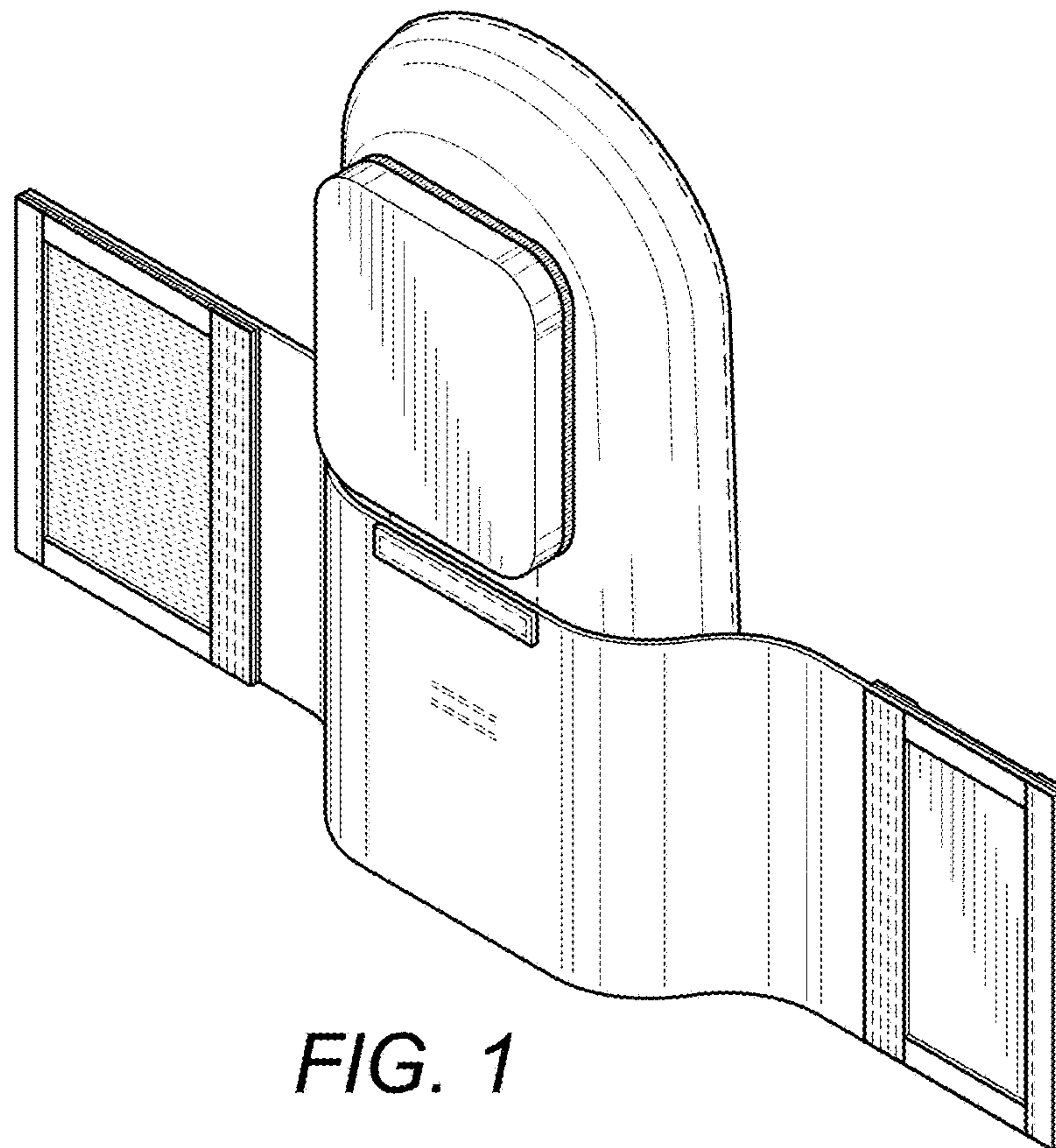


FIG. 1

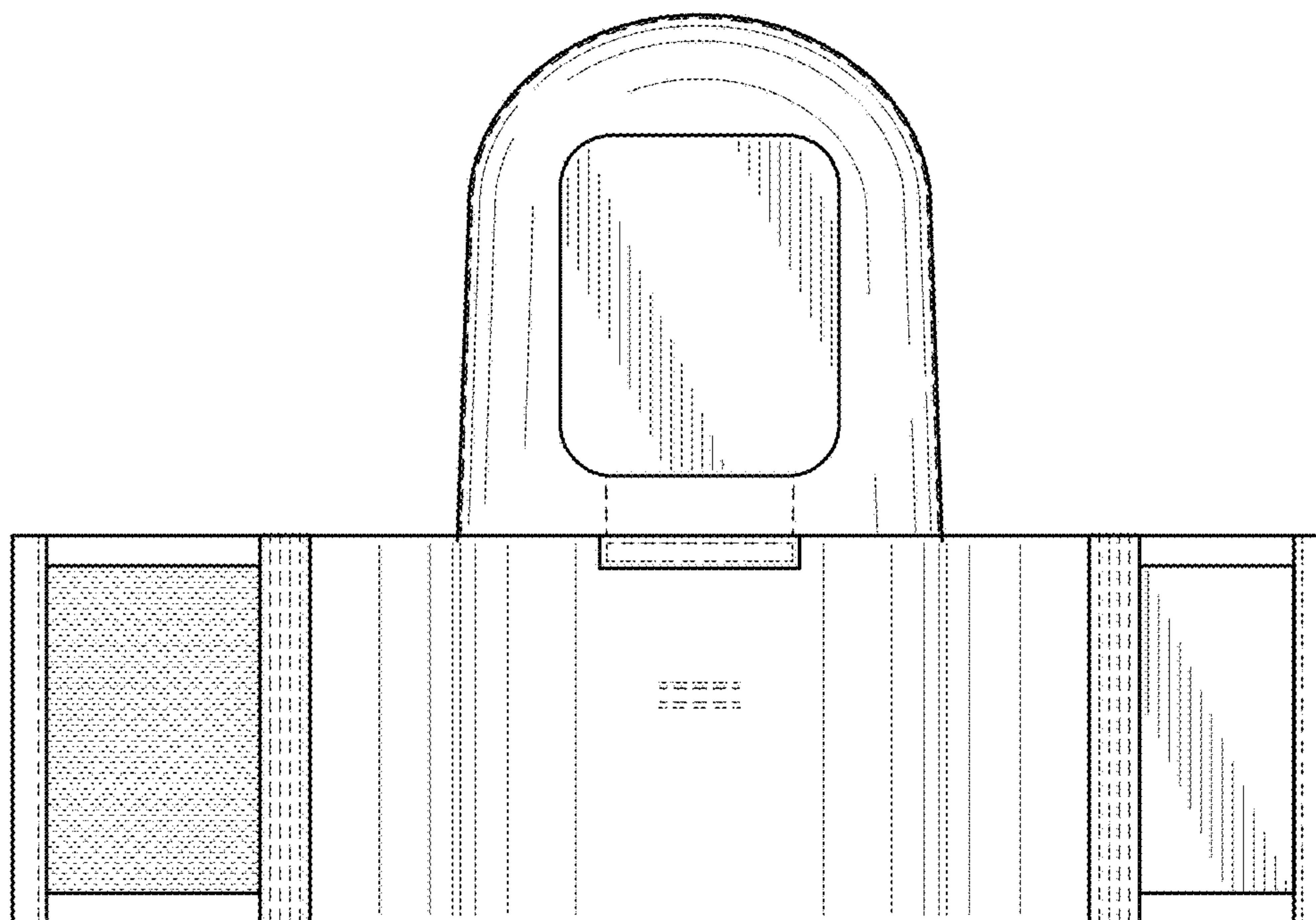


FIG. 2

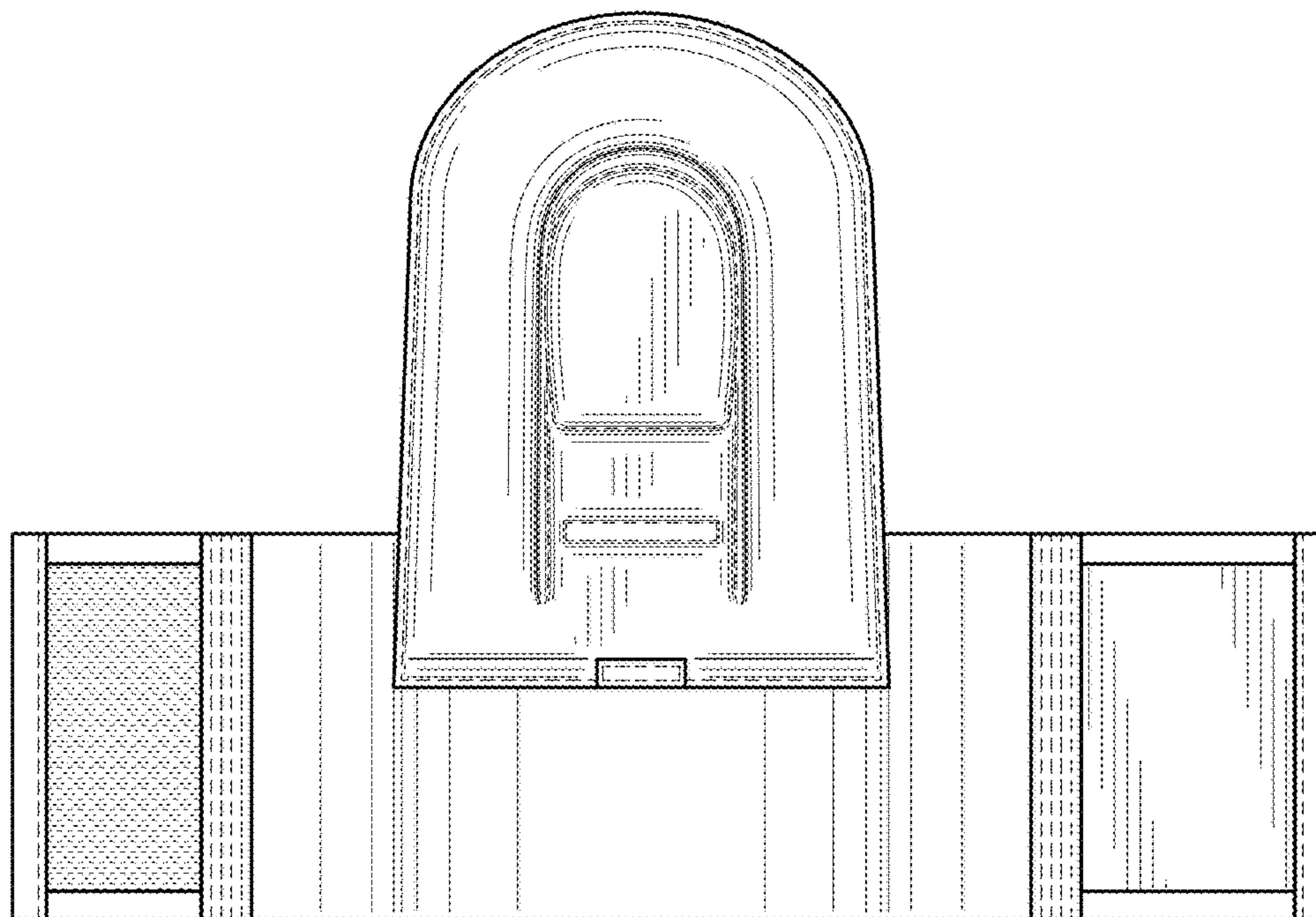


FIG. 3

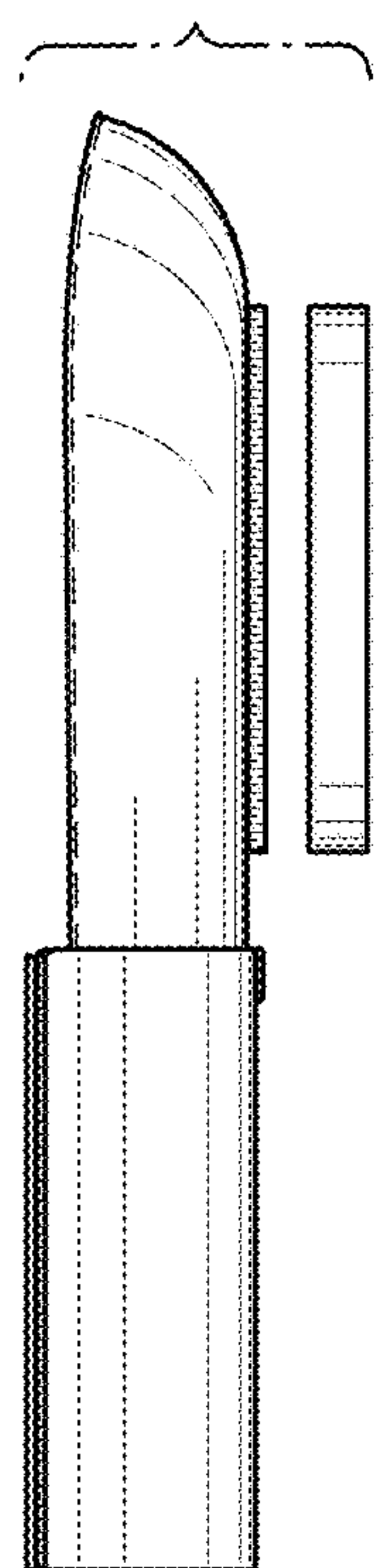


FIG. 4

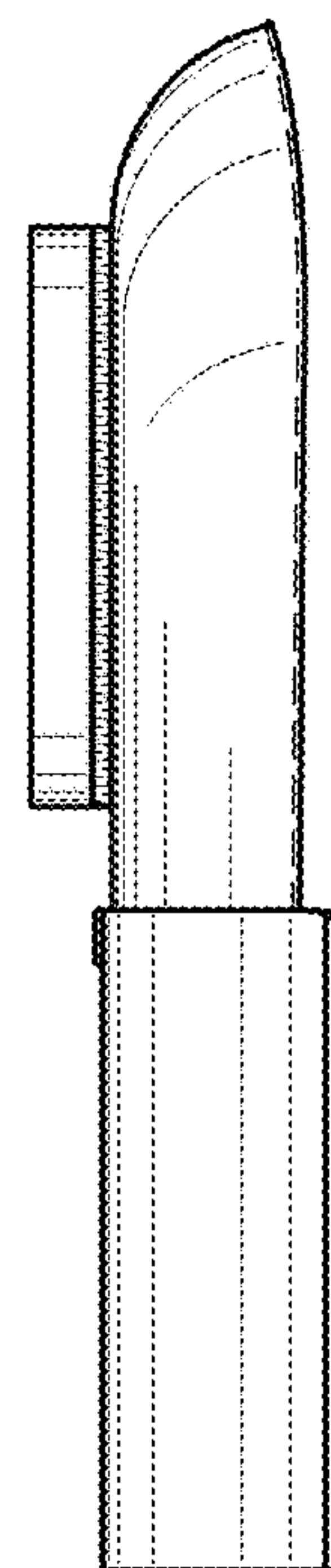


FIG. 5

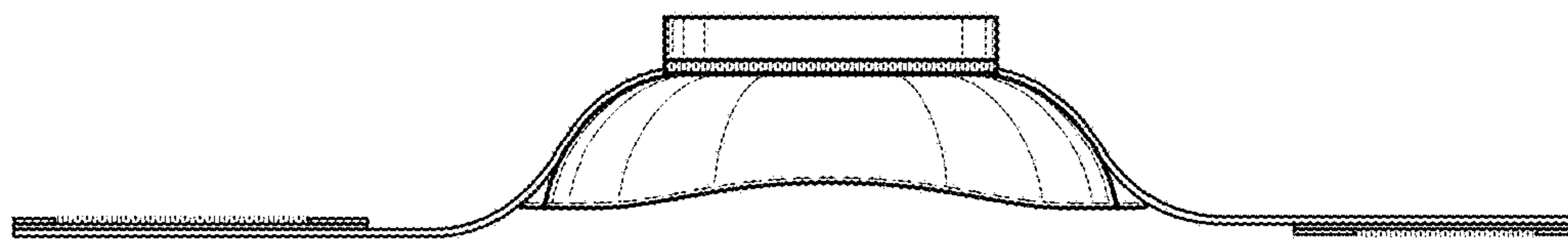


FIG. 6

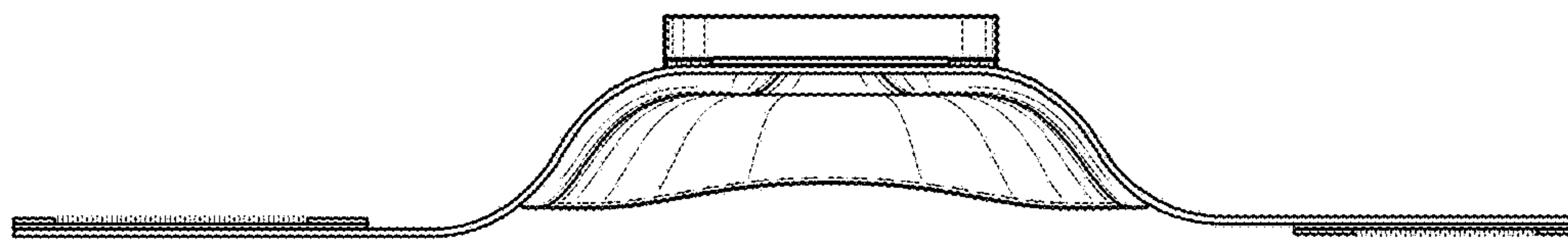


FIG. 7

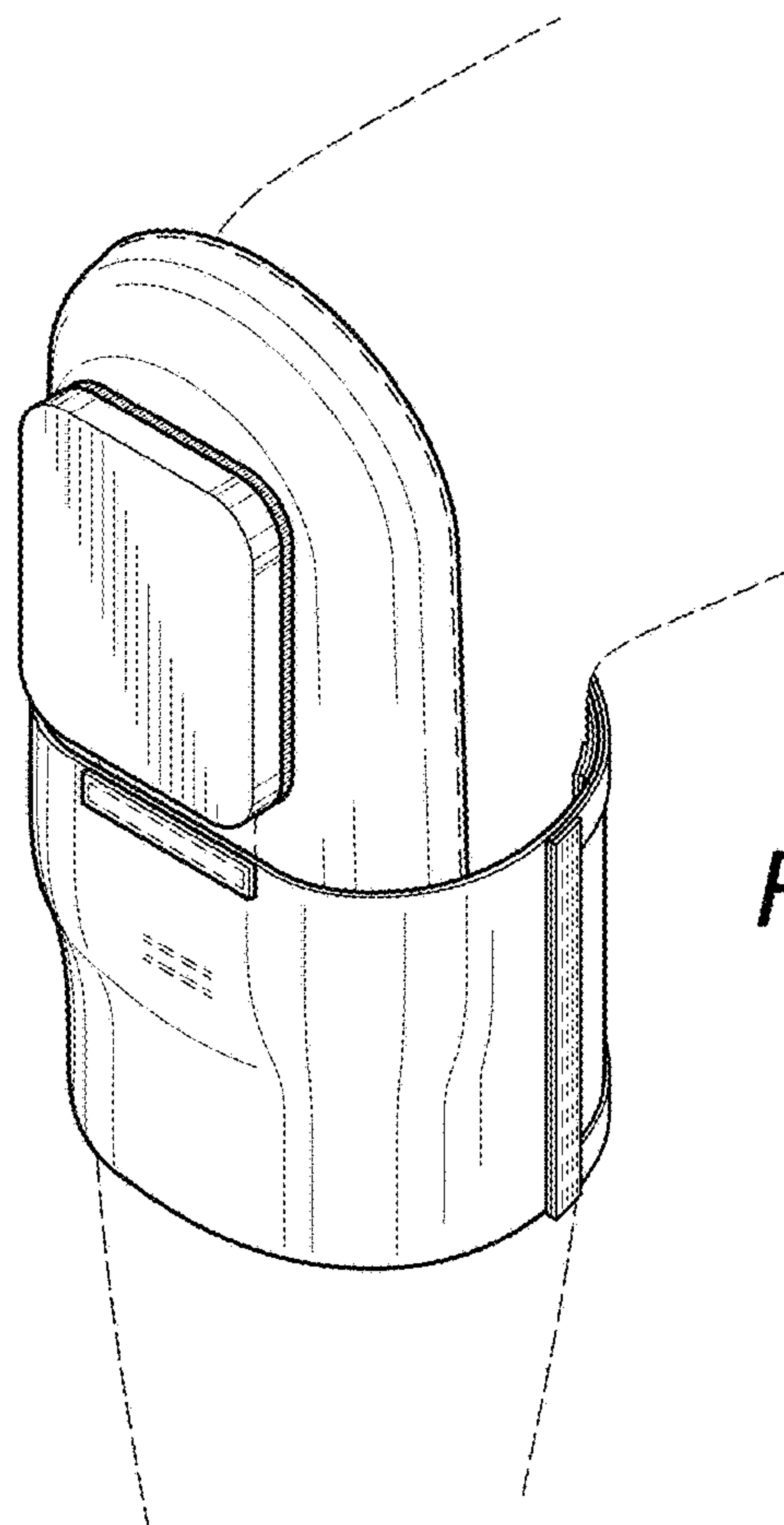


FIG. 8