



US00D784621S

(12) **United States Design Patent**  
**Mehdizadeh**

(10) **Patent No.:** **US D784,621 S**

(45) **Date of Patent:** **\*\* Apr. 18, 2017**

(54) **HOCKEY CALF GUARD**

(71) Applicant: **Speed Hockey, Inc.**, Jamestown, NC  
(US)

(72) Inventor: **Peter Mehdi-zadeh**, Jamestown, NC  
(US)

(73) Assignee: **Speed Hockey, Inc.**, Jamestown, NC  
(US)

(\*\*) Term: **15 Years**

(21) Appl. No.: **29/547,976**

(22) Filed: **Dec. 21, 2015**

(51) **LOC (10) Cl.** ..... **29-02**

(52) **U.S. Cl.**  
USPC ..... **D29/120.1**

(58) **Field of Classification Search**  
USPC ..... D29/101.1, 101.3, 101.4, 101.5, 100,  
D29/120.1, 121.1; 428/51, 131, 196;  
D5/47, 54, 55, 56, 57; D6/582; D32/40;  
442/327, 394; 451/523, 533, 537, 539;  
D8/90  
CPC ..... A41D 13/015; A41D 13/0543; A63B  
71/1225

See application file for complete search history.

(56) **References Cited**

**U.S. PATENT DOCUMENTS**

D278,470 S 4/1985 Eghamn  
D353,228 S \* 12/1994 Henson ..... D29/120.1

D426,678 S \* 6/2000 Rule ..... D29/120.1  
6,098,208 A 8/2000 Cordon  
6,298,484 B1 10/2001 Beckman  
D451,644 S \* 12/2001 Fujimoto ..... D29/120.1  
D455,870 S \* 4/2002 Heller ..... D29/120.1  
D514,746 S \* 2/2006 Druskis ..... D29/120.1  
D554,806 S \* 11/2007 Le Carpentier ..... D29/120.1  
D583,514 S \* 12/2008 Mason ..... D29/120.1  
D628,753 S \* 12/2010 Bishop ..... D29/120.1  
D630,385 S \* 1/2011 Bishop ..... D29/120.1  
8,474,062 B2 7/2013 Taylor et al.

\* cited by examiner

*Primary Examiner* — Randall Gholson

(74) *Attorney, Agent, or Firm* — Philip P. McCann; Smith  
Moore Leatherwood LLP

(57) **CLAIM**

The ornamental design for a hockey calf guard, as shown  
and described.

**DESCRIPTION**

FIG. 1 is a perspective view of a hockey calf guard showing  
my new design;

FIG. 2 is a front view thereof;

FIG. 3 is a rear view thereof;

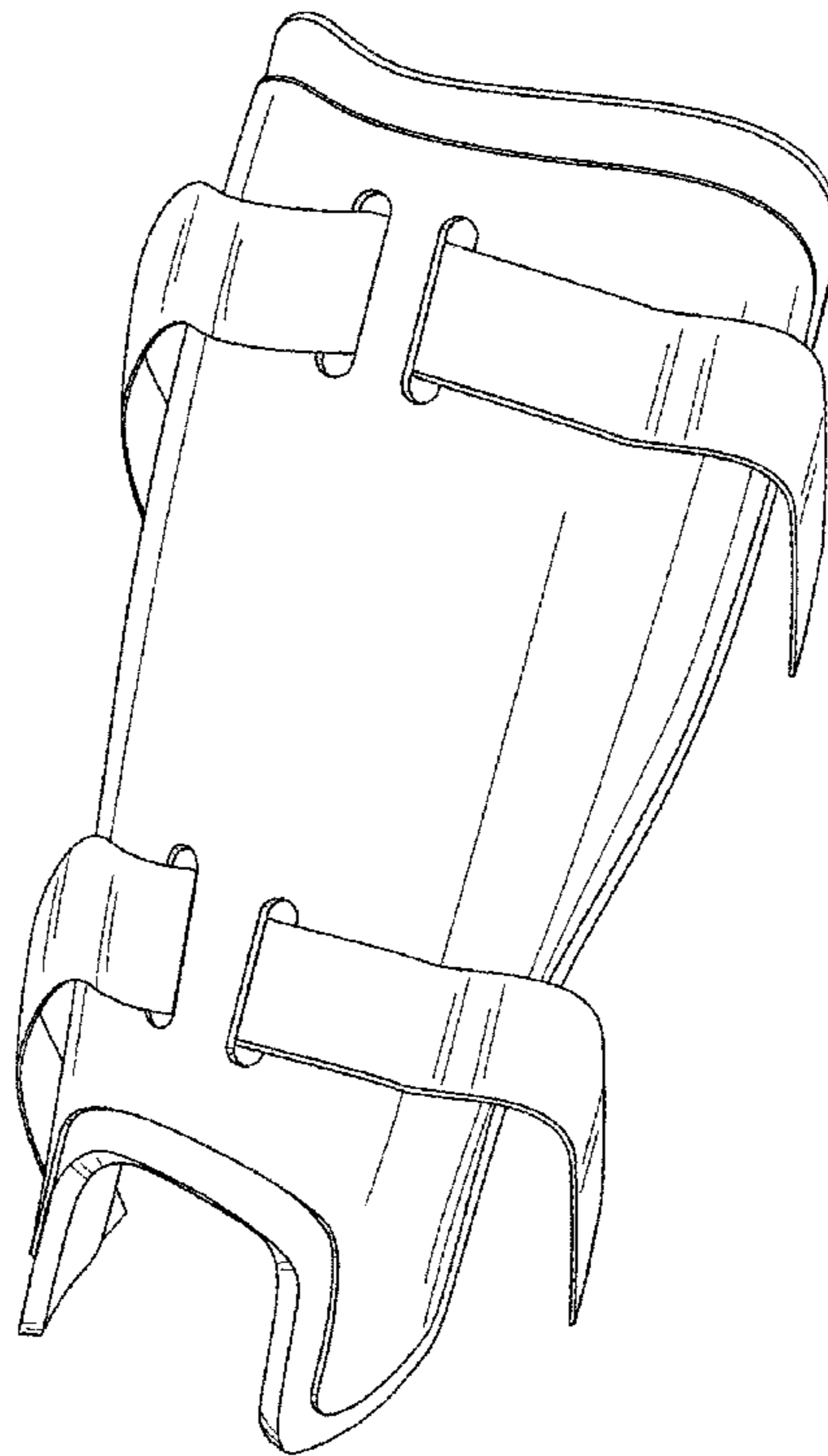
FIG. 4 is a left side view thereof;

FIG. 5 is a right side view thereof;

FIG. 6 is a top view thereof; and,

FIG. 7 is a bottom view thereof.

**1 Claim, 5 Drawing Sheets**



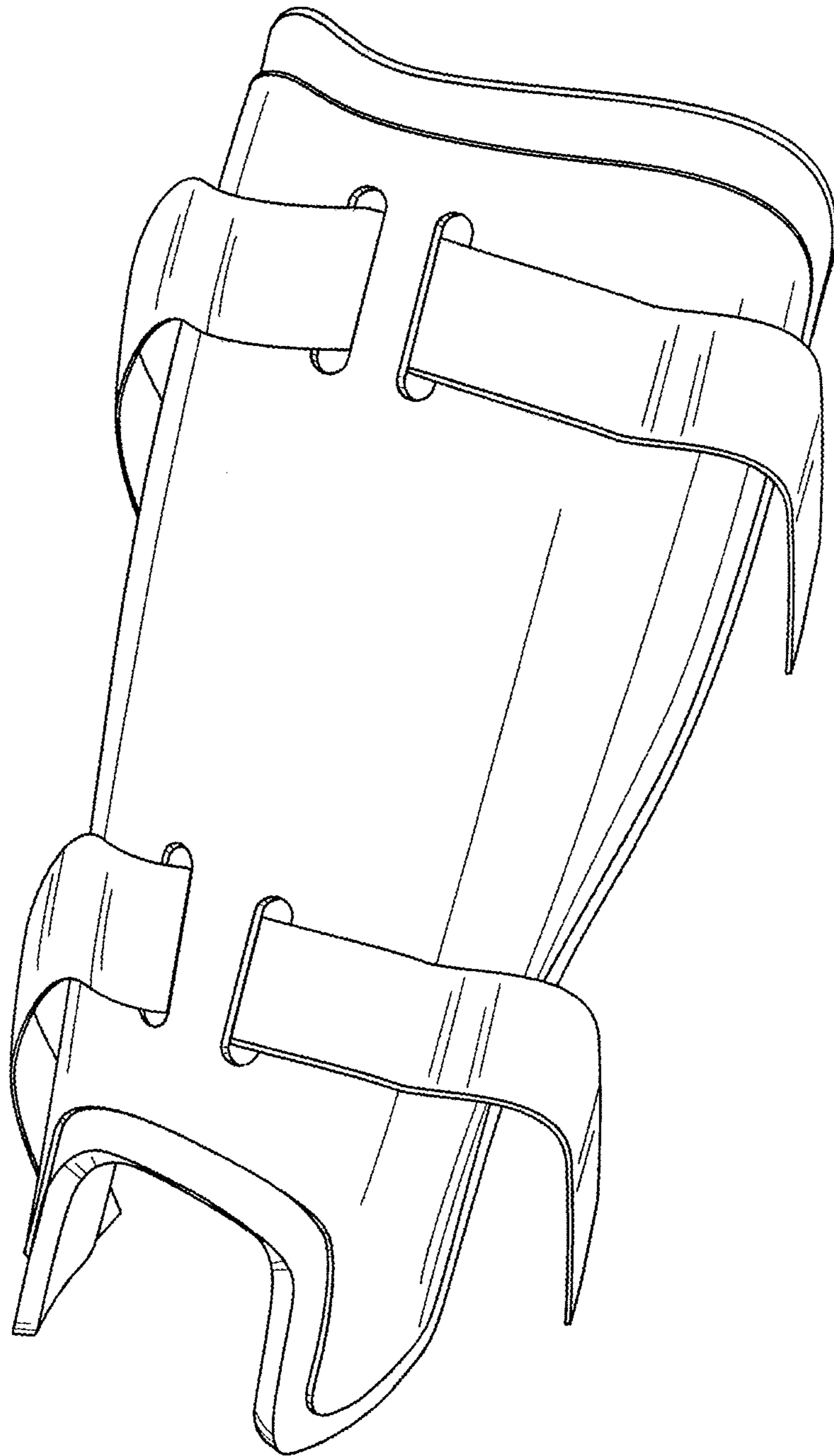


FIG. 1

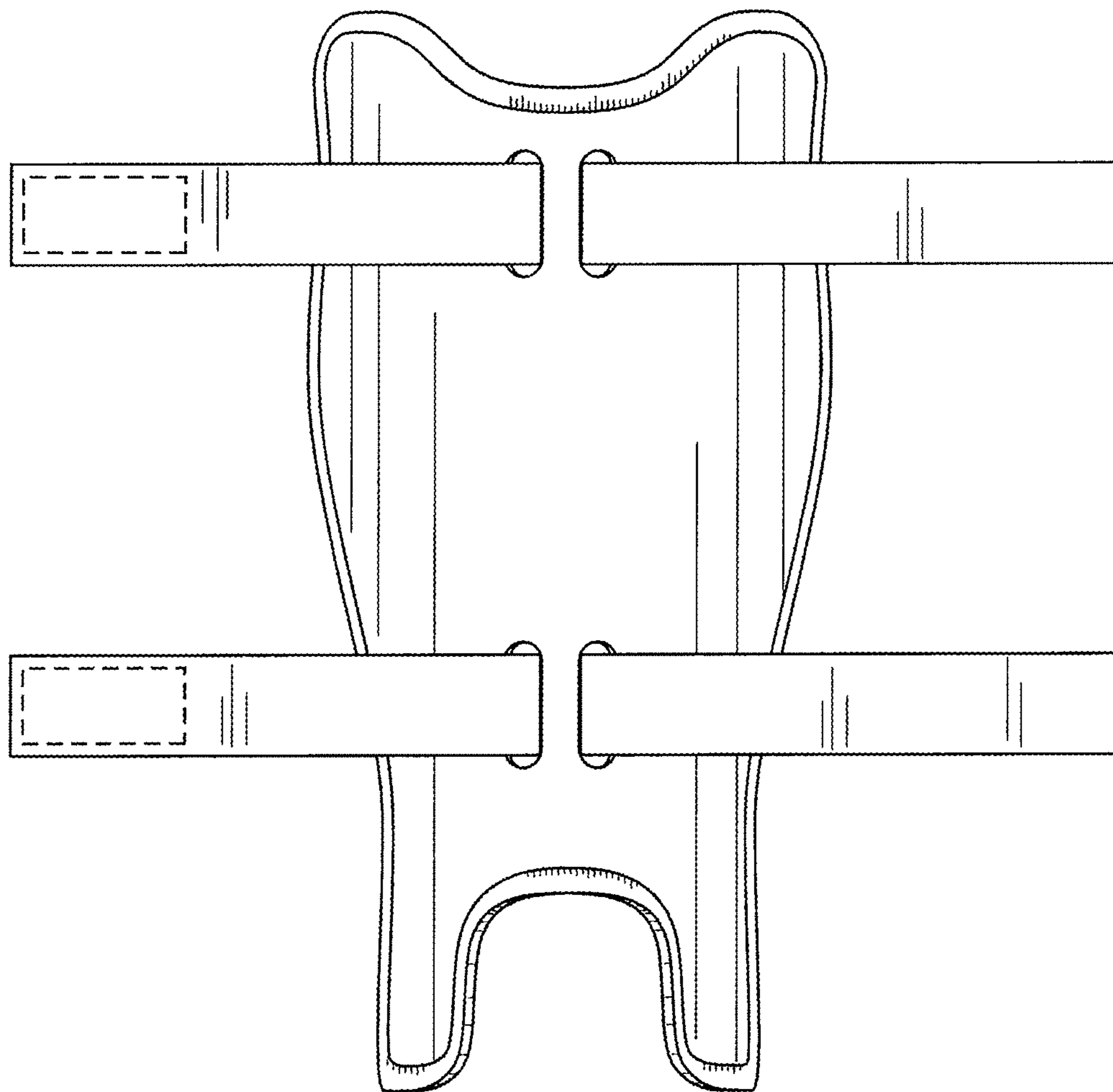
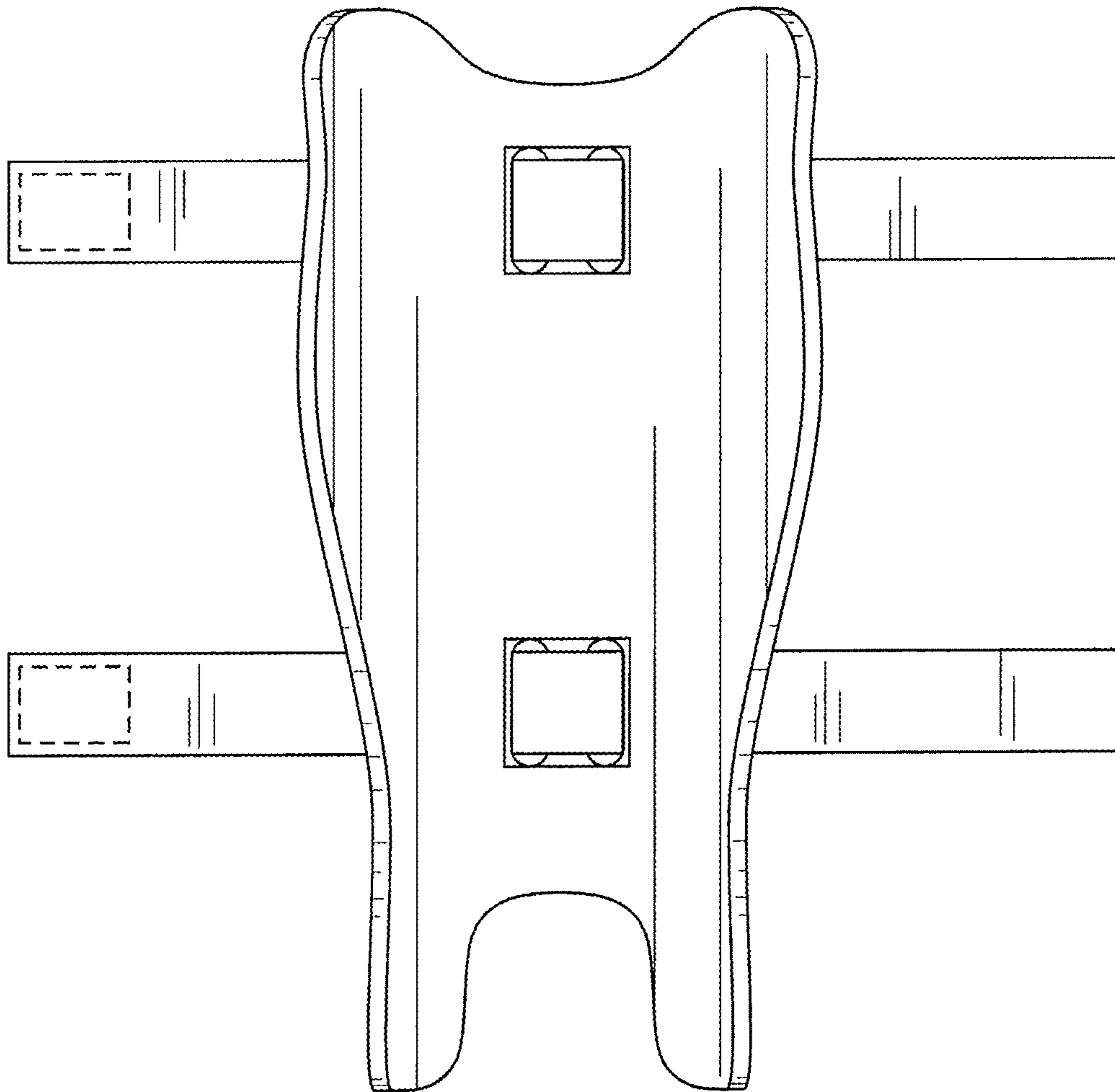


FIG. 2



**FIG. 3**

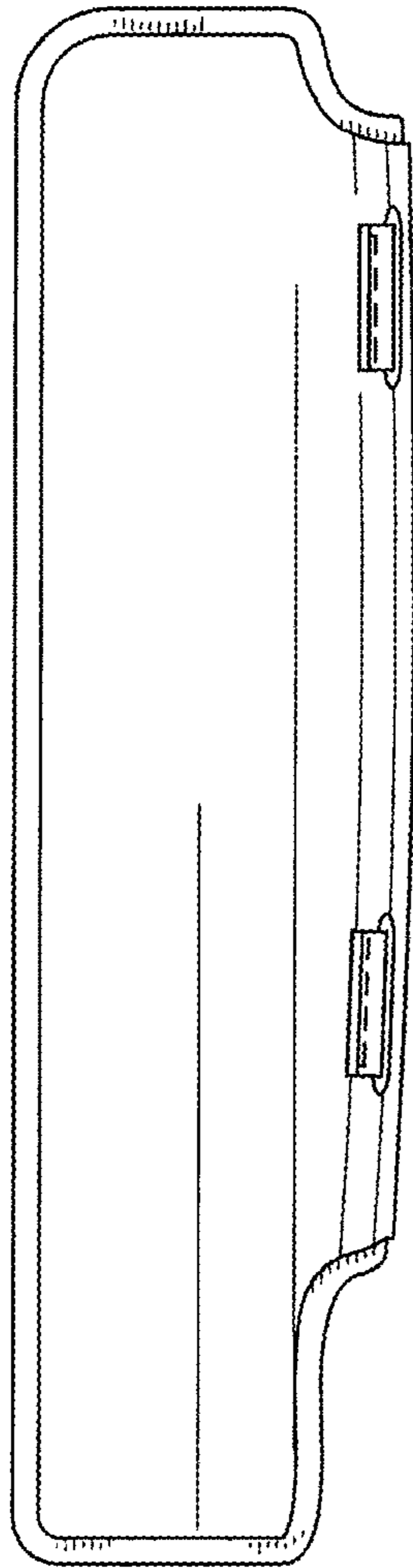


FIG. 4

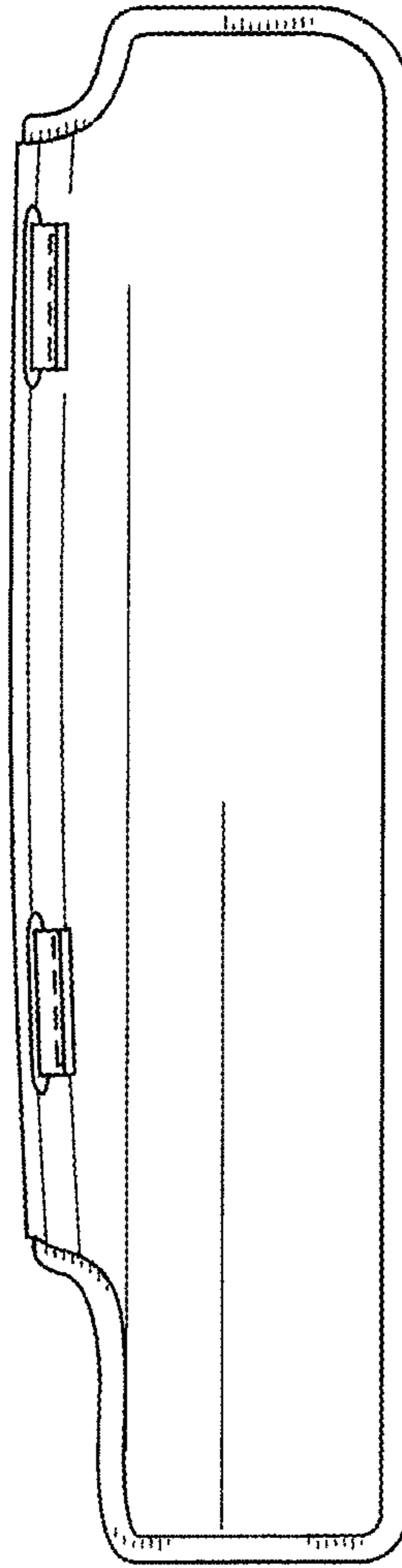
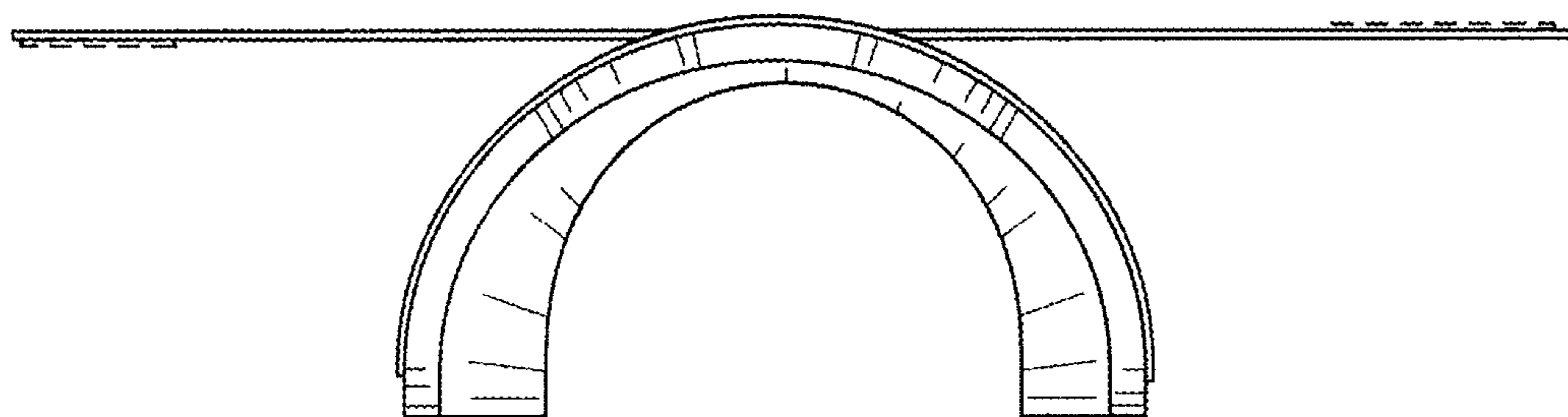
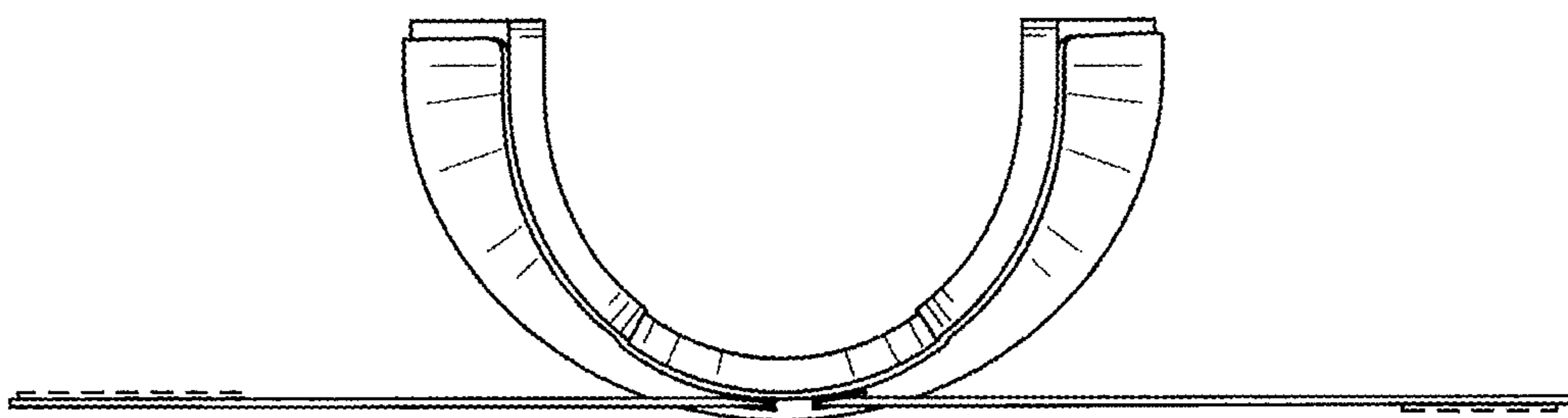


FIG. 5



**FIG. 6**



**FIG. 7**