



US00D784619S

(12) **United States Design Patent** (10) **Patent No.:** **US D784,619 S**
Mori et al. (45) **Date of Patent:** **** Apr. 18, 2017**

(54) **ELECTRIC HAIR CLIPPER** D721,205 S 1/2015 Colle D28/53
D722,723 S * 2/2015 Nitsch D28/53
(71) Applicant: **Panasonic Intellectual Property** D749,786 S 2/2016 Werner D28/53
Management Co., Ltd., Osaka (JP) D759,308 S 6/2016 Reuter D28/53
D759,309 S 6/2016 Reuter D28/53
(72) Inventors: **Kyohei Mori, Kyoto (JP); Katsumi**
Kikuchi, Kyoto (JP) (Continued)

(73) Assignee: **Panasonic Intellectual Property**
Management Co., Ltd., Osaka (JP)

(**) Term: **15 Years**

(21) Appl. No.: **29/583,014**

(22) Filed: **Nov. 1, 2016**

Related U.S. Application Data

(62) Division of application No. 29/543,584, filed on Oct. 26, 2015.

(51) **LOC (10) Cl.** **28-03**

(52) **U.S. Cl.**
USPC **D28/53**

(58) **Field of Classification Search**
USPC D28/44-44.1, 49-54
CPC B26B 19/00-19/107; B26B 19/12; B26B
19/20-19/265; B26B 19/28-19/36; B26B
19/38-19/48
See application file for complete search history.

(56) **References Cited**

U.S. PATENT DOCUMENTS

D466,650 S 12/2002 Muller D28/53
D477,439 S * 7/2003 Dirks D28/53
D573,756 S 7/2008 Nielsen D28/53
D698,083 S 1/2014 Werner D28/53
D715,490 S 10/2014 Aulwes D28/54
D718,496 S * 11/2014 Ino D28/53
D720,887 S 1/2015 Gross D28/53
D720,888 S 1/2015 Colle D28/53

FOREIGN PATENT DOCUMENTS

EM 002409284-0004 2/2014
EM 002527713-0001 9/2014

(Continued)

OTHER PUBLICATIONS

Remington MB-200, www.amazon.com, downloaded Feb. 6, 2017,
1 page.*

Primary Examiner — Jennifer Rivard

(74) *Attorney, Agent, or Firm* — Panasonic IP
Management; Kerry S. Culpepper

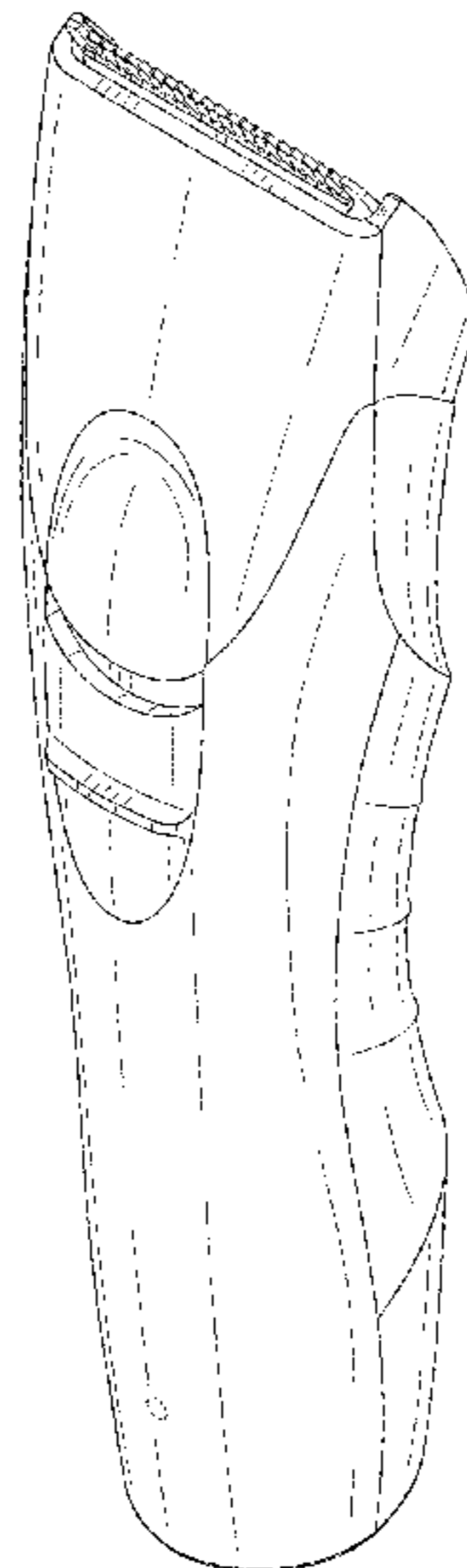
(57) **CLAIM**

The ornamental design for an electric hair clipper, as shown
and described.

DESCRIPTION

FIG. 1 is a front perspective view of an electric hair clipper
of the present invention;
FIG. 2 is a rear perspective view thereof;
FIG. 3 is a front view thereof;
FIG. 4 is a rear view thereof;
FIG. 5 is a first side view thereof;
FIG. 6 is a second side view thereof;
FIG. 7 is a top view thereof; and,
FIG. 8 is a bottom view thereof.
The broken lines illustrate portions of the electric hair
clipper and form no part of the claimed design.

1 Claim, 8 Drawing Sheets



(56)

References Cited

U.S. PATENT DOCUMENTS

2012/0233865 A1 9/2012 Kammer B26B 19/3846
30/201

FOREIGN PATENT DOCUMENTS

JP D1314387 11/2007
JP D1521145 4/2015

* cited by examiner

FIG. 1

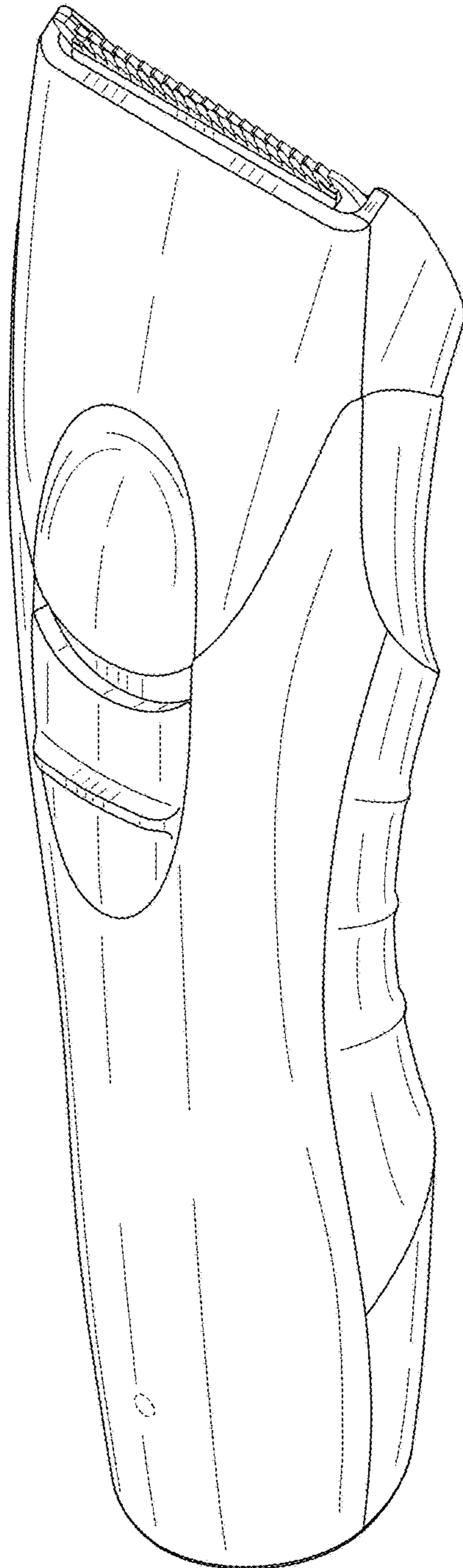


FIG. 2

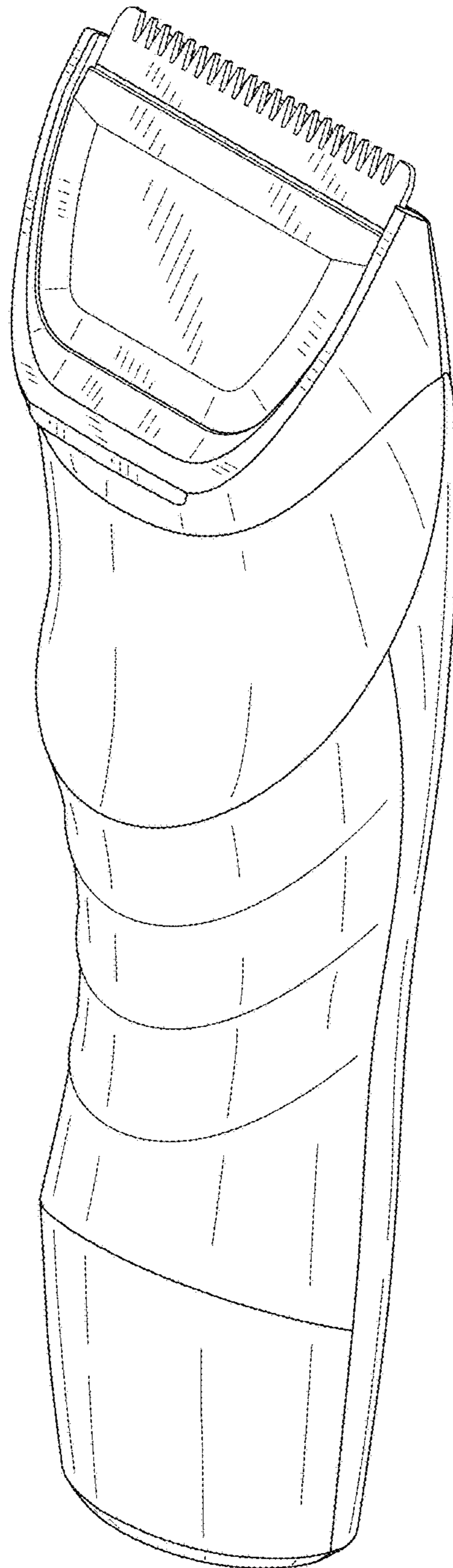


FIG. 3

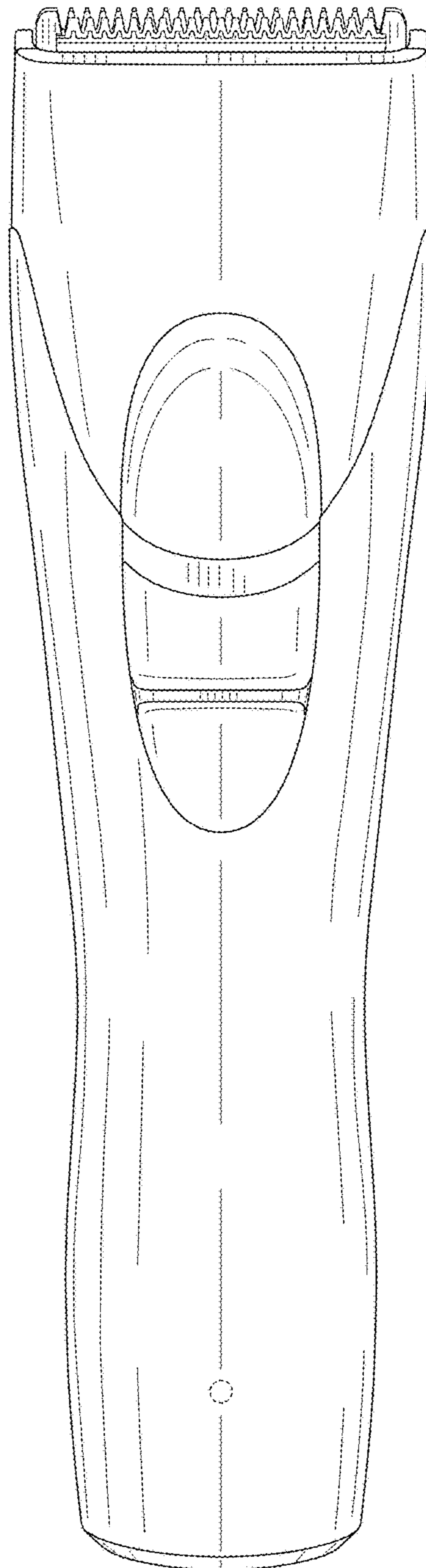


FIG. 4

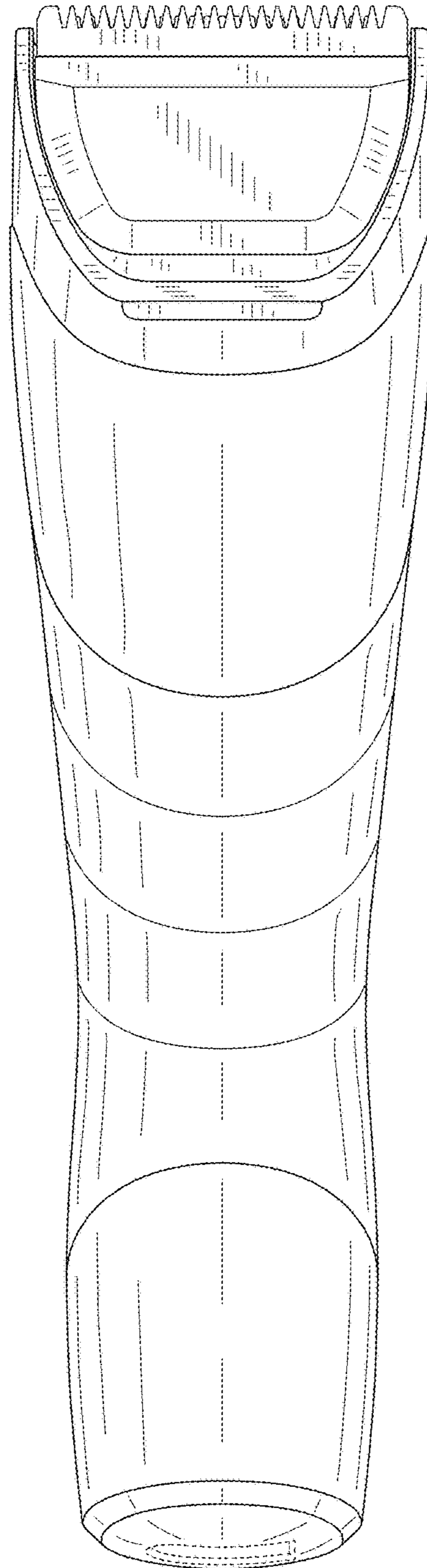


FIG. 5

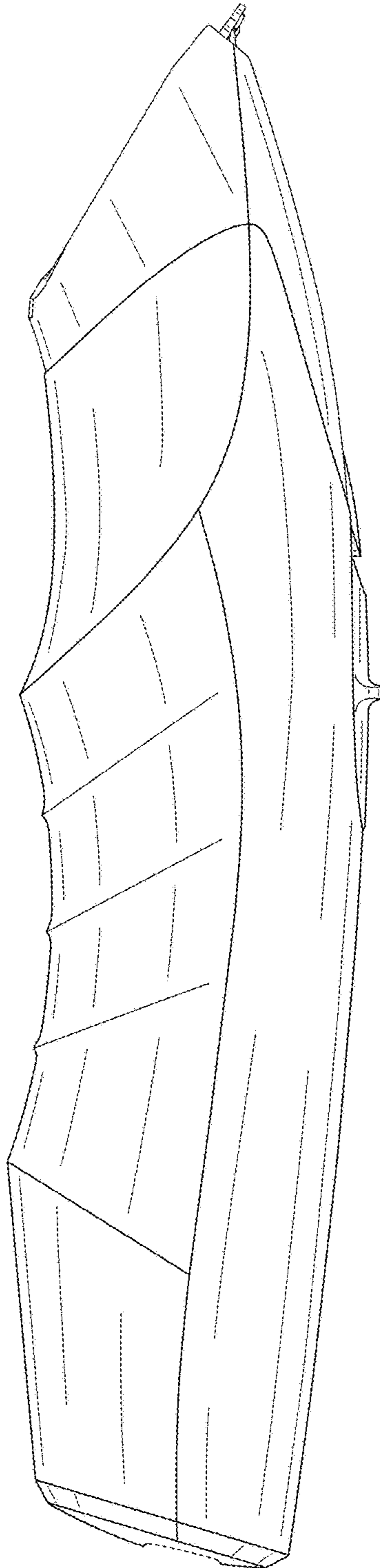


FIG. 6

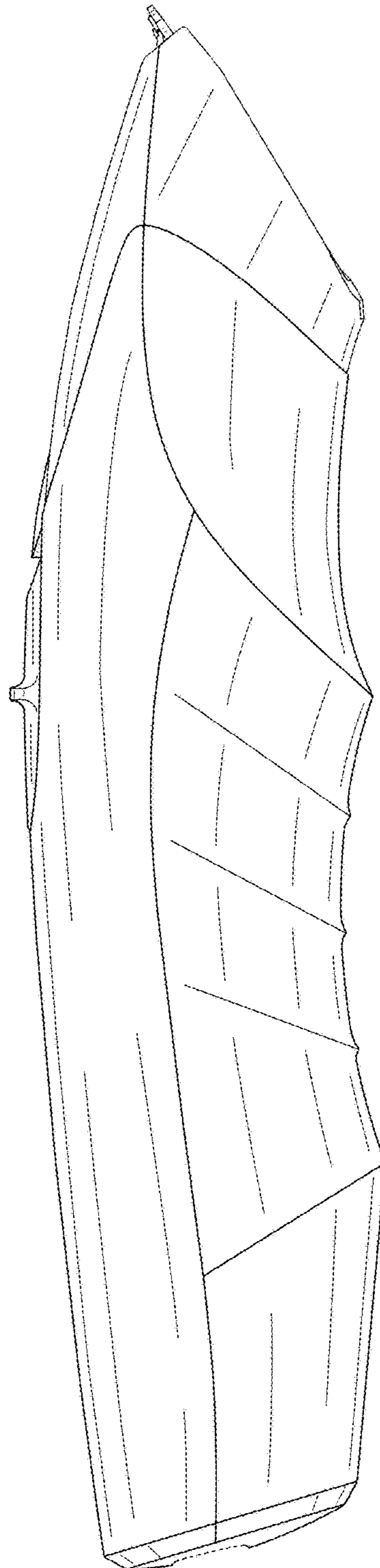


FIG. 7

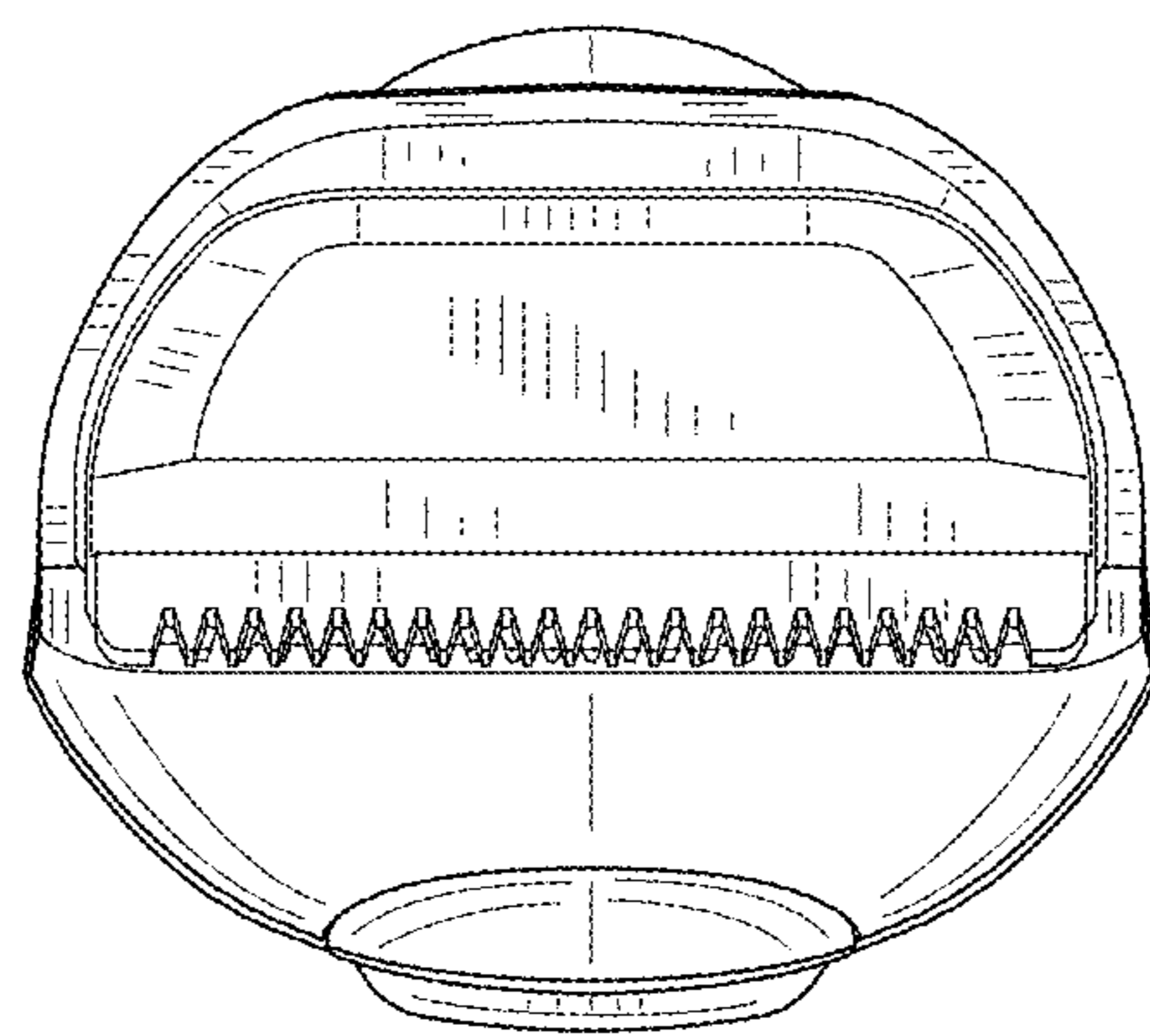


FIG. 8

