



US00D784618S

(12) **United States Design Patent** (10) **Patent No.:** **US D784,618 S**
Mori et al. (45) **Date of Patent:** **** Apr. 18, 2017**

(54) **ELECTRIC HAIR CLIPPER**
 (71) Applicant: **Panasonic Intellectual Property Management Co., Ltd., Osaka (JP)**
 (72) Inventors: **Kyohei Mori, Kyoto (JP); Katsumi Kikuchi, Kyoto (JP)**
 (73) Assignee: **Panasonic Intellectual Property Management Co., Ltd., Osaka (JP)**

D759,308 S * 6/2016 Reuter D28/53
 D759,309 S * 6/2016 Reuter D28/53
 2012/0233865 A1* 9/2012 Kammer B26B 19/3846
 30/201

FOREIGN PATENT DOCUMENTS

EM 002409284-0004 2/2014
 EM 002527713-0001 9/2014
 JP D1314387 11/2007
 JP D1521145 4/2015

* cited by examiner

Primary Examiner — Jennifer Rivard

(74) *Attorney, Agent, or Firm* — Panasonic IP Management; Kerry S. Culpepper

(**) Term: **15 Years**
 (21) Appl. No.: **29/543,584**
 (22) Filed: **Oct. 26, 2015**
 (51) **LOC (10) Cl.** **28-03**
 (52) **U.S. Cl.**
 USPC **D28/53**
 (58) **Field of Classification Search**
 USPC D28/44–44.1, 49–54
 CPC B26B 19/00–19/107; B26B 19/20–19/265
 See application file for complete search history.

(57) **CLAIM**

We claim the ornamental design for an electric hair clipper, as shown and described.

DESCRIPTION

FIG. 1 is a front perspective view of an electric hair clipper of the present invention;
 FIG. 2 is a rear perspective view;
 FIG. 3 is a front view;
 FIG. 4 is a rear view;
 FIG. 5 is a first side view;
 FIG. 6 is a second side view;
 FIG. 7 is a top view; and,
 FIG. 8 is a bottom view.

The broken lines illustrate portions of the electric hair clipper and form no part of the claimed design.

1 Claim, 8 Drawing Sheets

(56) **References Cited**

U.S. PATENT DOCUMENTS

D466,650 S * 12/2002 Muller D28/53
 D573,756 S * 7/2008 Nielsen D28/53
 D698,083 S * 1/2014 Werner D28/53
 D715,490 S * 10/2014 Aulwes D28/54
 D720,887 S * 1/2015 Gross D28/53
 D720,888 S * 1/2015 Colle D28/53
 D721,205 S * 1/2015 Colle D28/53
 D749,786 S * 2/2016 Werner D28/53

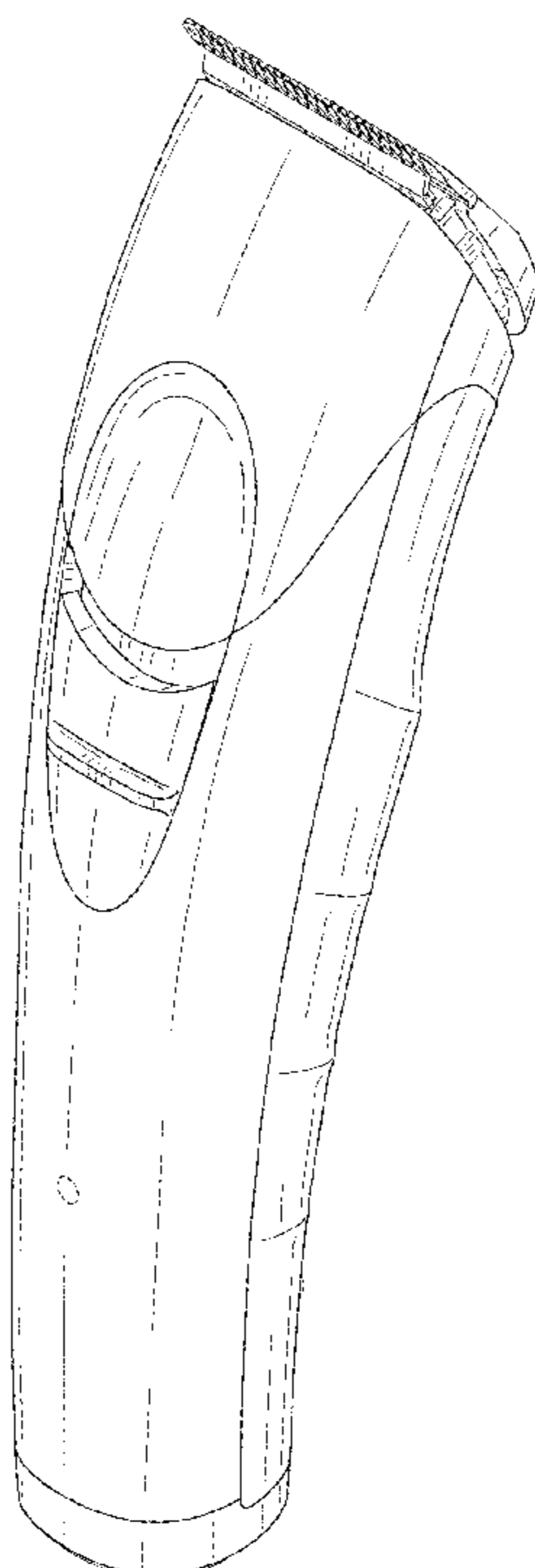


FIG. 1

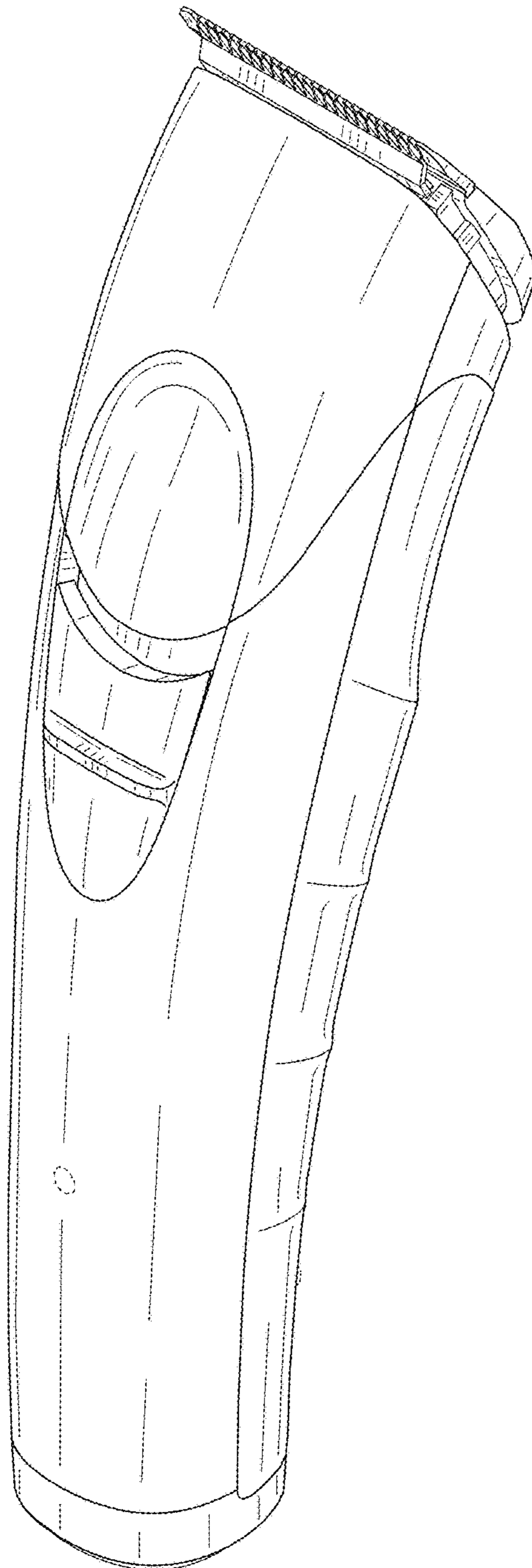


FIG. 2

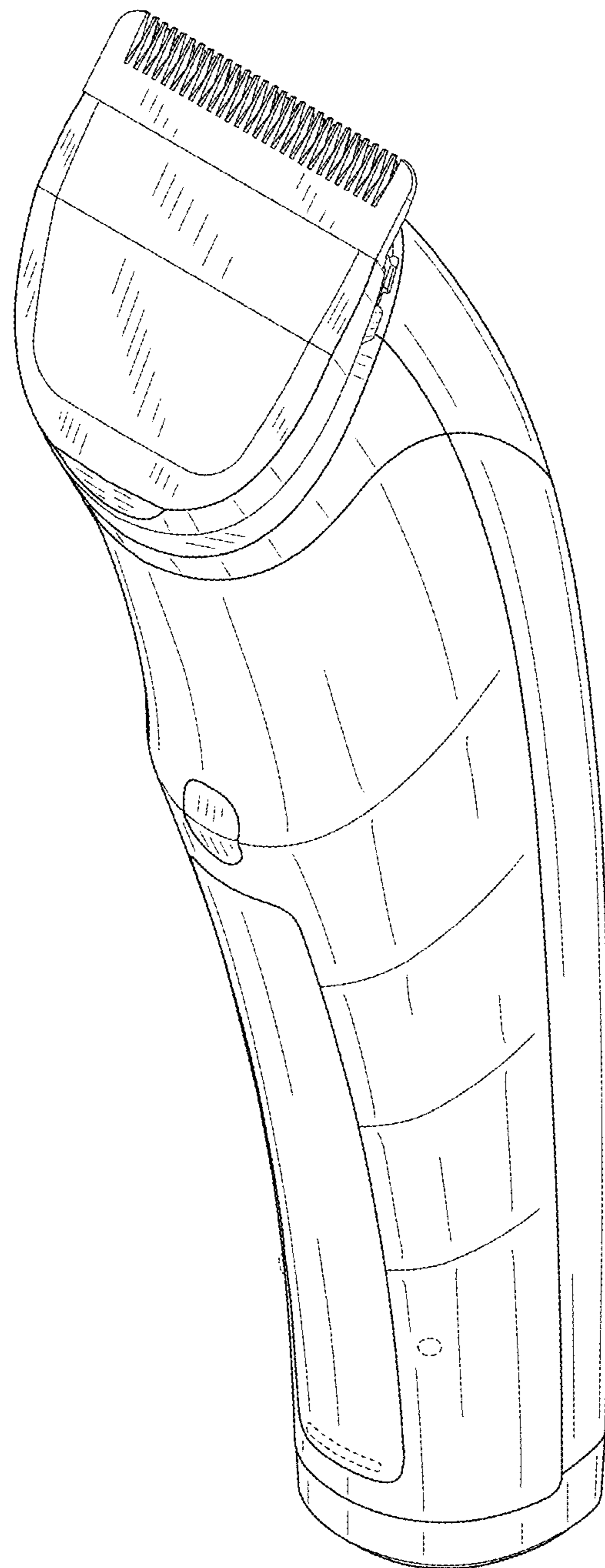


FIG. 3

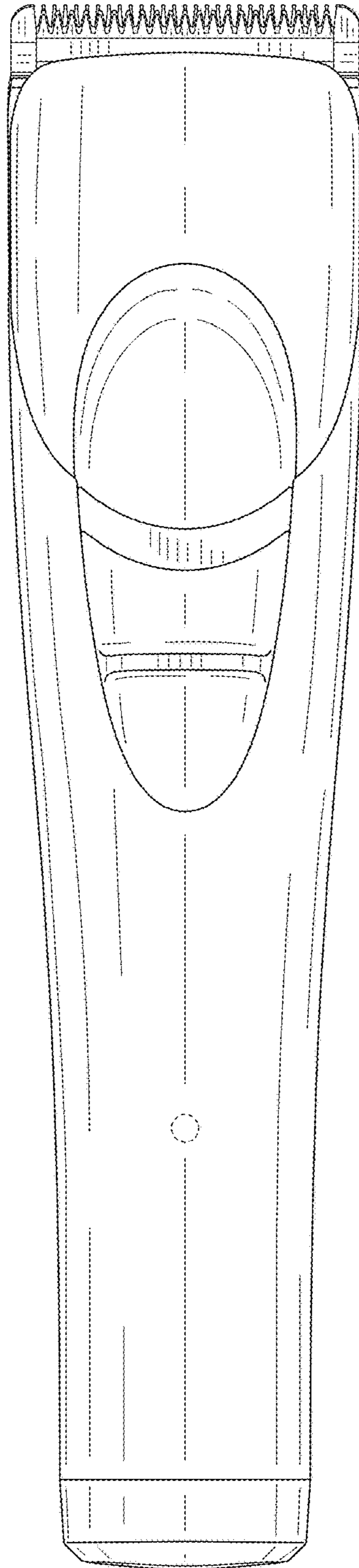


FIG. 4

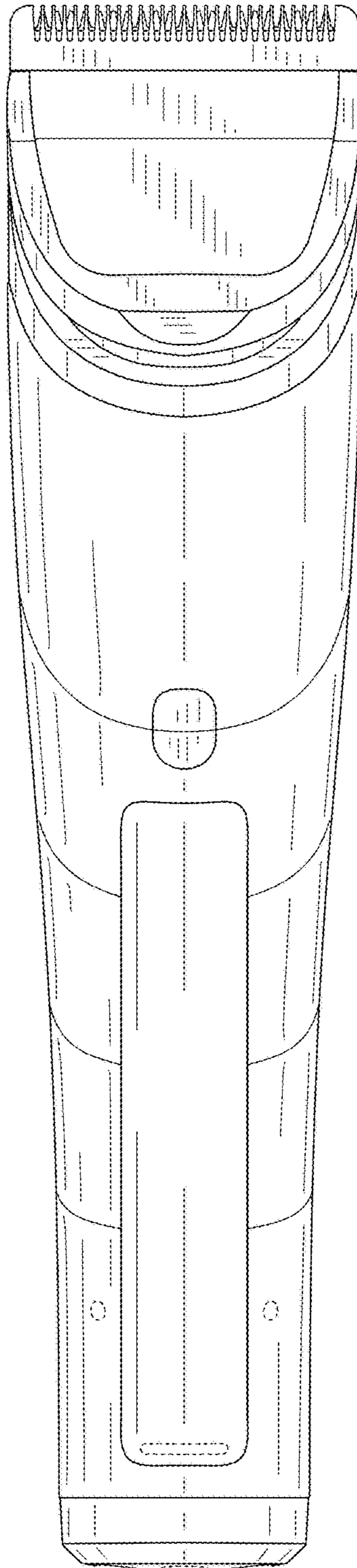


FIG. 5

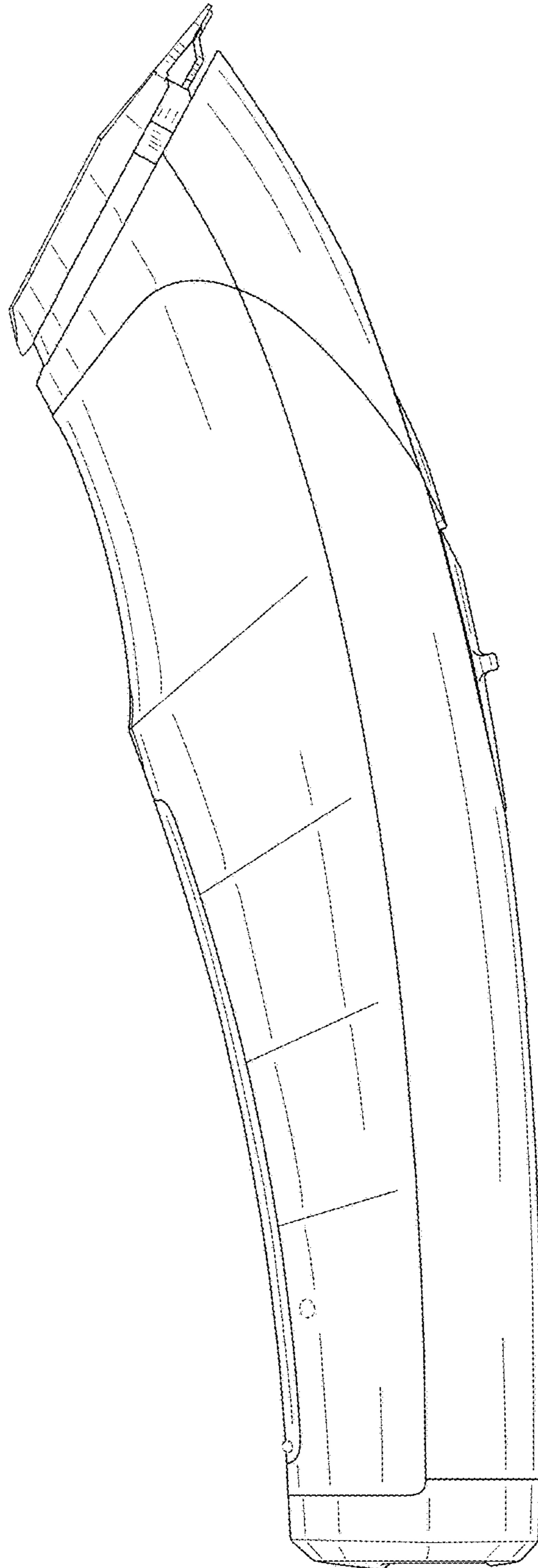


FIG. 6

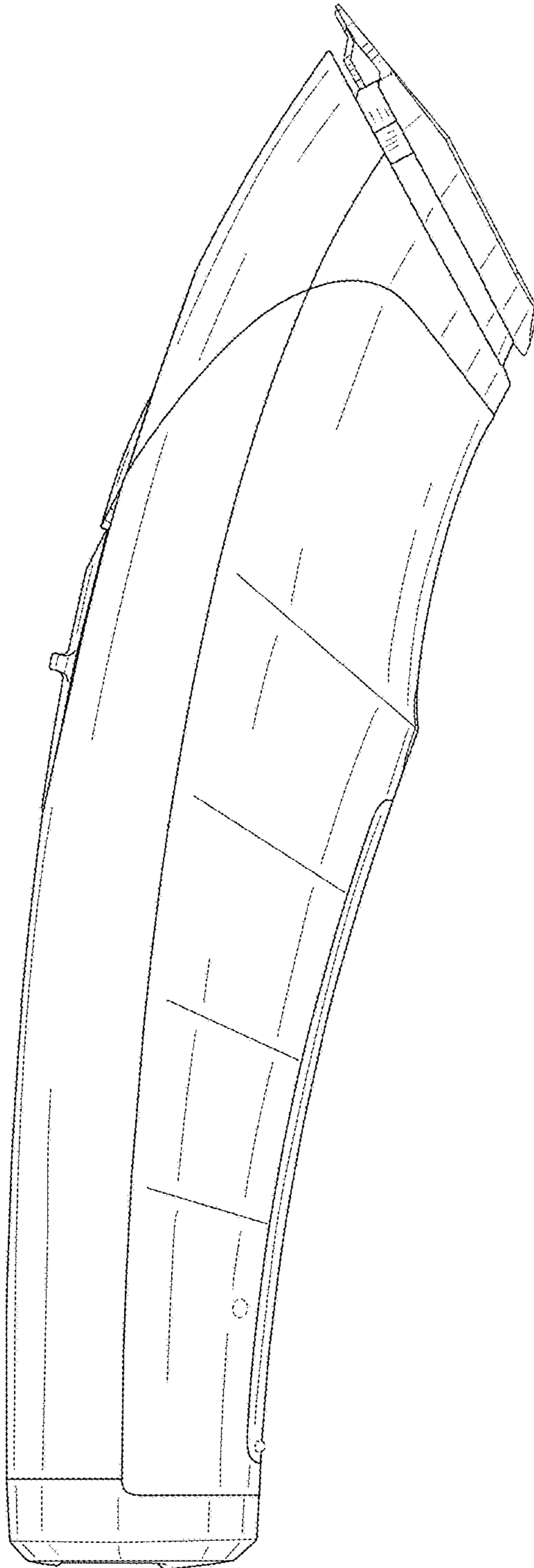


FIG. 7

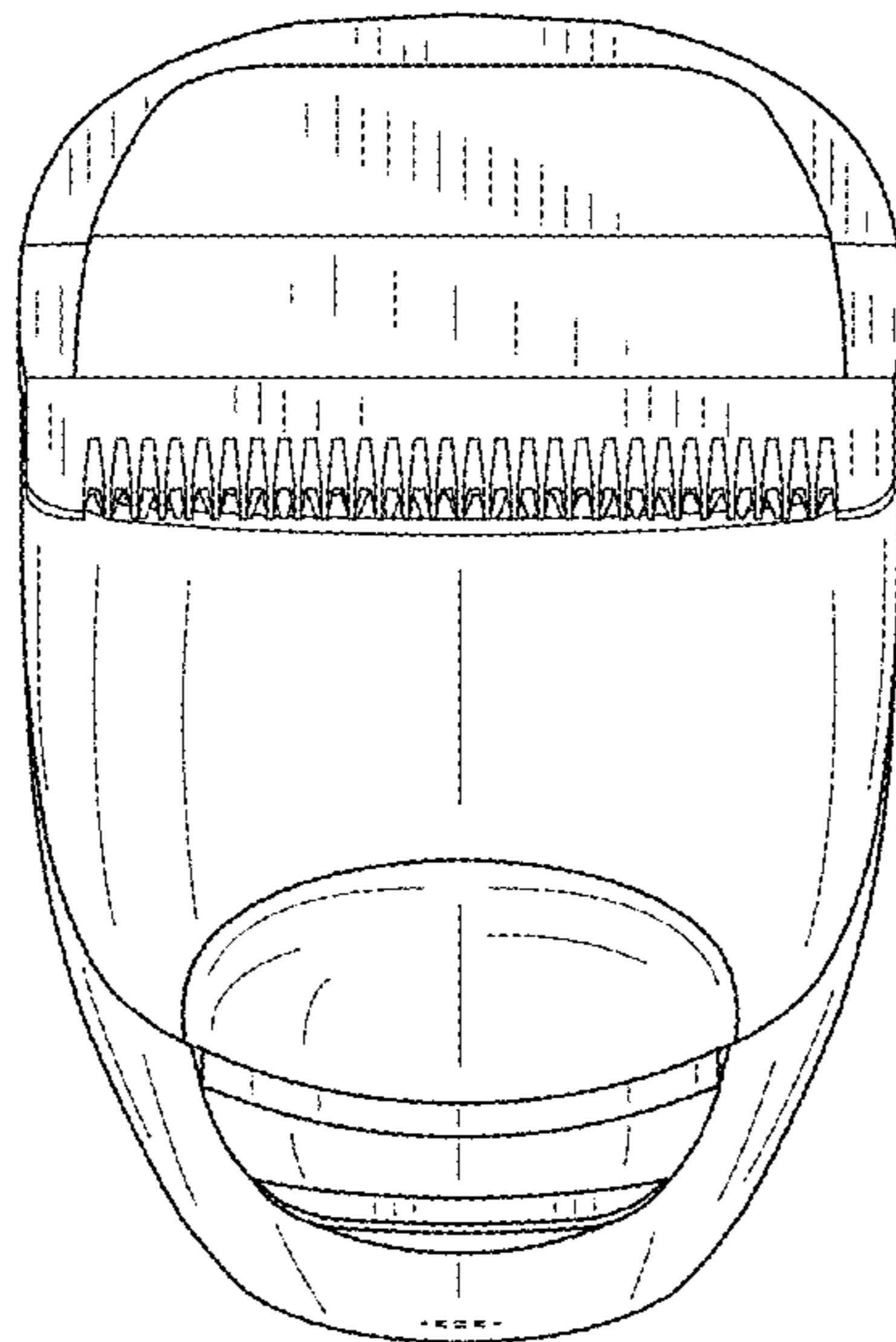


FIG. 8

