



US00D784615S

(12) **United States Design Patent** (10) **Patent No.:** **US D784,615 S**
Choi (45) **Date of Patent:** **** Apr. 18, 2017**

(54) **TWEEZERS FOR ATTACHING FALSE EYELASHES**

(71) Applicant: **Hoon Sub Choi**, Seoul (KR)

(72) Inventor: **Hoon Sub Choi**, Seoul (KR)

(73) Assignee: **Hoon Sub Choi**, Seoul (KR)

(**) Term: **15 Years**

(21) Appl. No.: **29/543,603**

(22) Filed: **Oct. 27, 2015**

(30) **Foreign Application Priority Data**

Oct. 22, 2015 (KR) 30-2015-0053209

(51) **LOC (10) Cl.** **28-03**

(52) **U.S. Cl.**
USPC **D28/36; D28/55**

(58) **Field of Classification Search**
USPC D28/55, 36
CPC A45D 26/0066; B25B 9/02; A41G 5/02;
A41G 5/0086

See application file for complete search history.

(56) **References Cited**

U.S. PATENT DOCUMENTS

- 2,760,264 A * 8/1956 Javits A41G 5/02
132/53
- D213,239 S * 1/1969 Flewellin D28/36
- D218,870 S * 9/1970 Aylott D28/36
- 3,547,135 A * 12/1970 Roos A41G 5/02
132/216
- D219,854 S * 2/1971 Howard D28/36
- 3,561,454 A * 2/1971 O'Connell A41G 5/02
132/216

- 3,670,742 A * 6/1972 Weaner A41G 5/02
132/216
- D515,242 S * 2/2006 Cho D28/36
- 8,015,980 B2 * 9/2011 Rabe A41G 5/02
132/201
- 9,215,901 B1 * 12/2015 Schroeder A41G 5/02
- 2005/0166939 A1 * 8/2005 Stroud A45D 40/30
132/216
- 2006/0129187 A1 * 6/2006 Cho A45D 26/0066
606/210
- 2011/0121592 A1 * 5/2011 Cho A61B 17/30
294/99.2
- 2016/0058088 A1 * 3/2016 Le A41G 5/02
132/201
- 2016/0279766 A1 * 9/2016 Hussain B25B 9/02

* cited by examiner

Primary Examiner — Jennifer Rivard

(74) *Attorney, Agent, or Firm* — Goldilocks Zone IP Law

(57) **CLAIM**

The ornamental design for a tweezers for attaching false eyelashes, as shown and described.

DESCRIPTION

FIG. 1 is a perspective view of a tweezers for attaching false eyelashes, showing my new design;
 FIG. 2 is a front view thereof;
 FIG. 3 is a rear view thereof;
 FIG. 4 is a left-side view thereof;
 FIG. 5 is a right-side view thereof;
 FIG. 6 is a top plan view thereof;
 FIG. 7 is a bottom plan view thereof; and,
 FIG. 8 is a view of state in use thereof.
 The broken lines shown in the drawings illustrate portions of the tweezers and form no part of the claimed design.

1 Claim, 8 Drawing Sheets

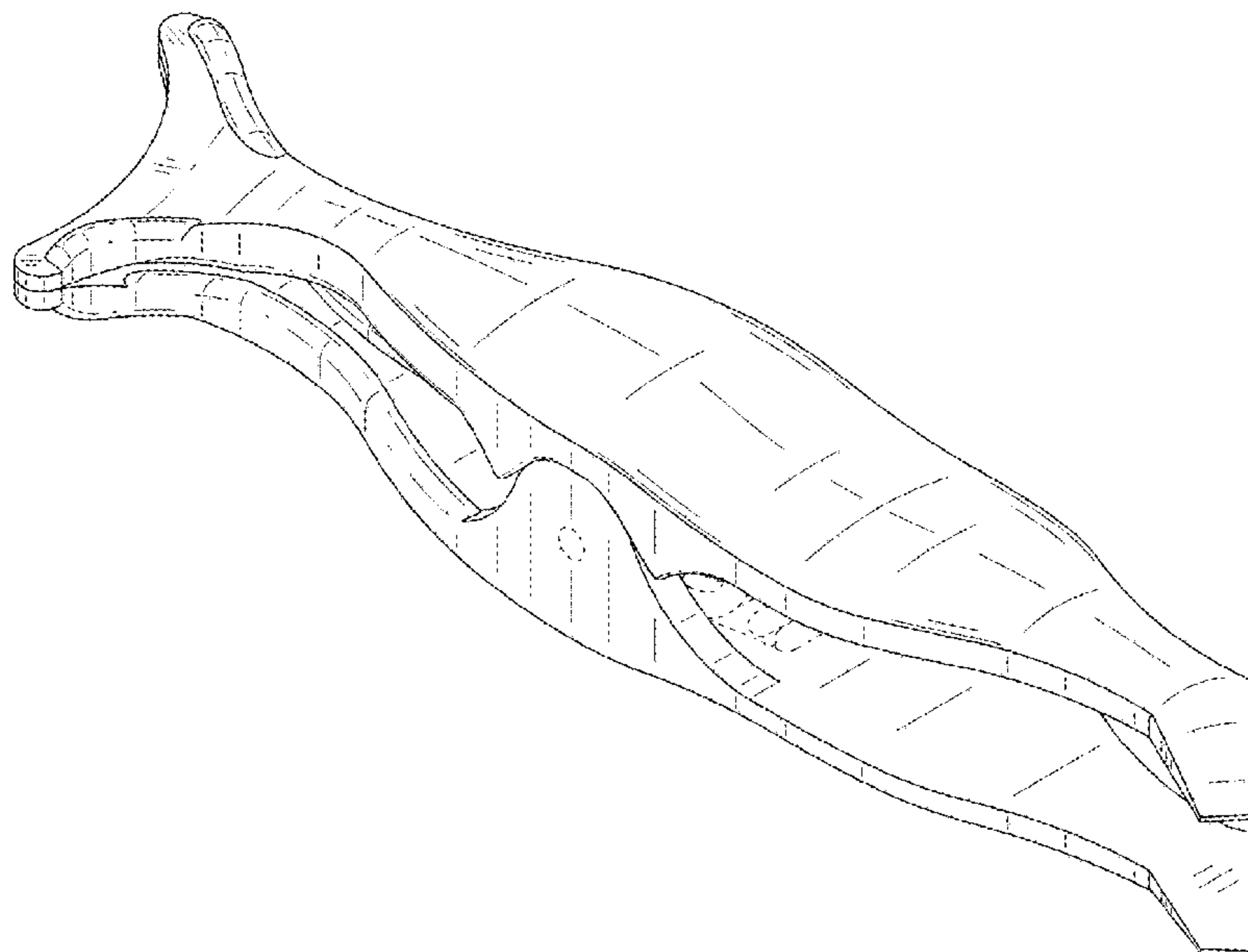


FIG. 1

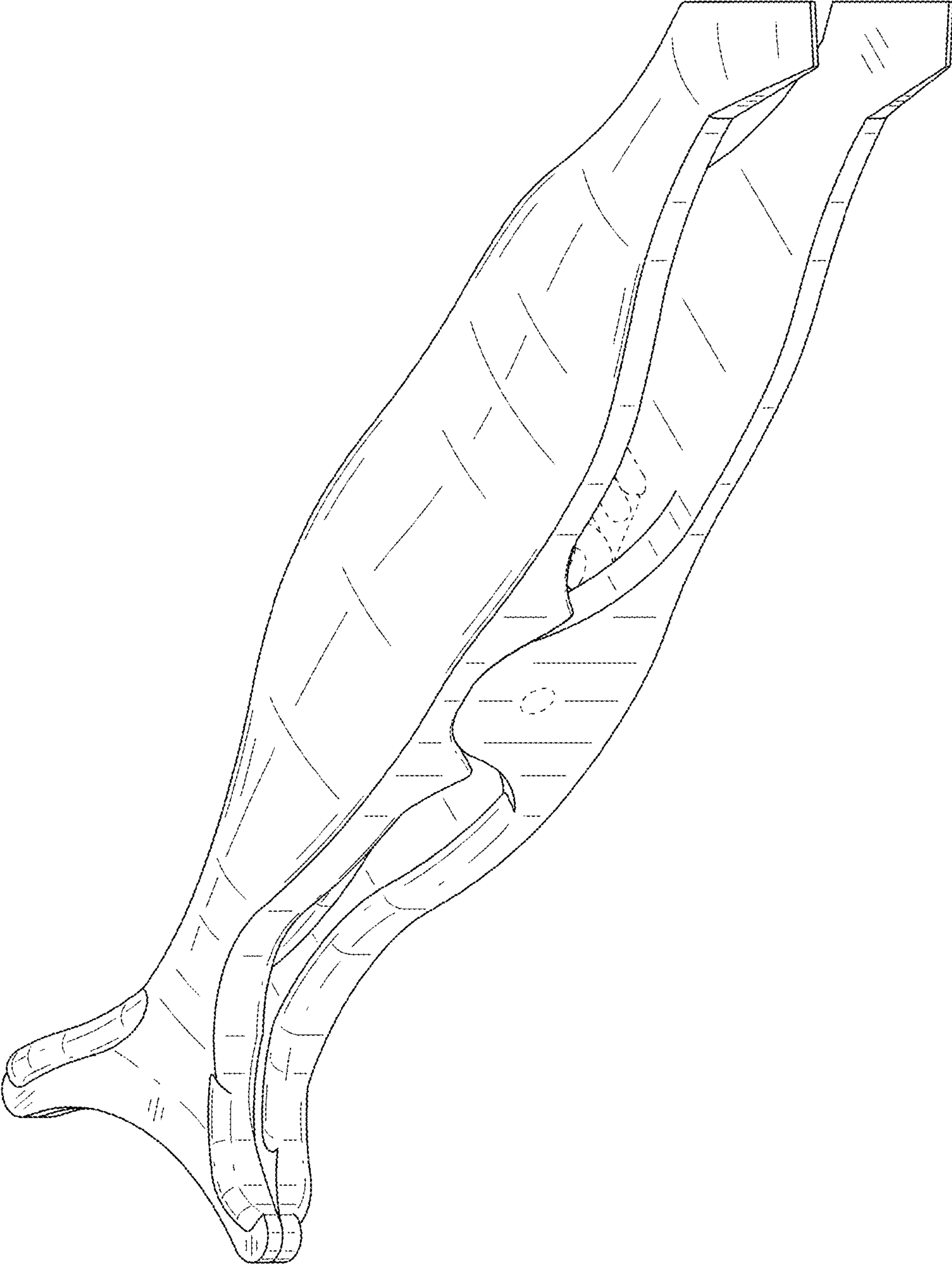


FIG. 2

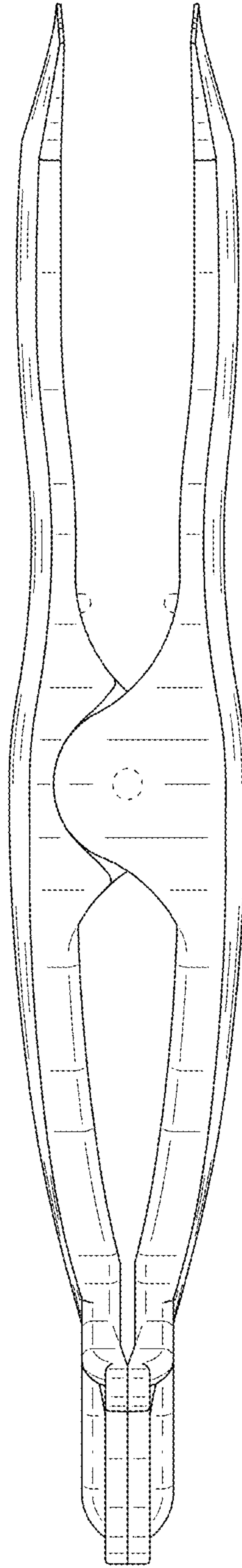


FIG. 3

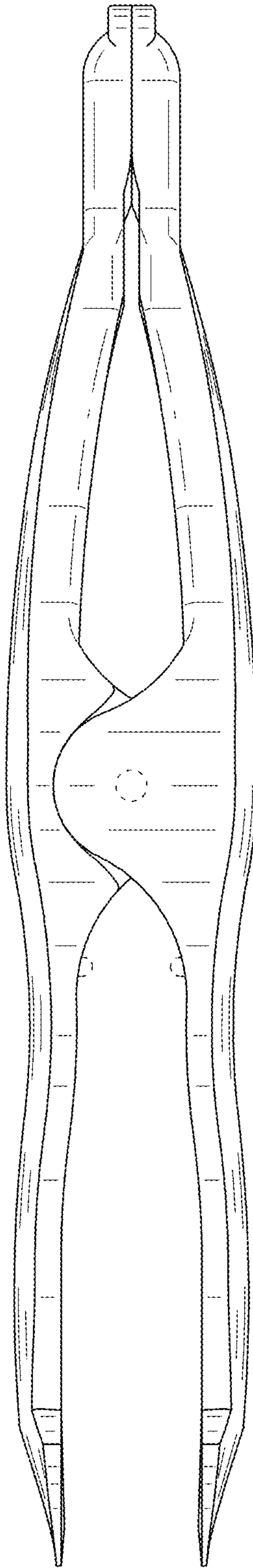


FIG. 4

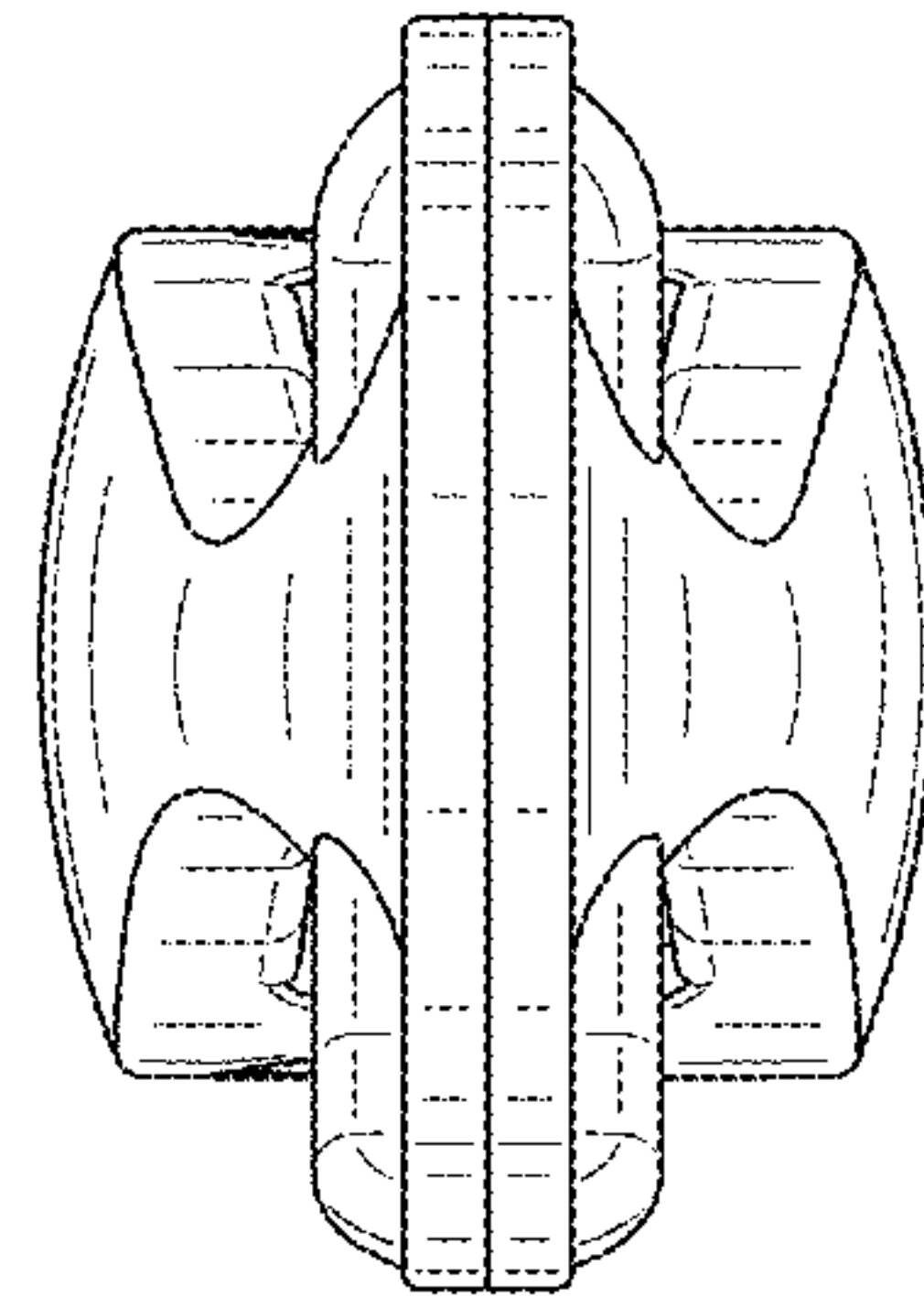


FIG. 5

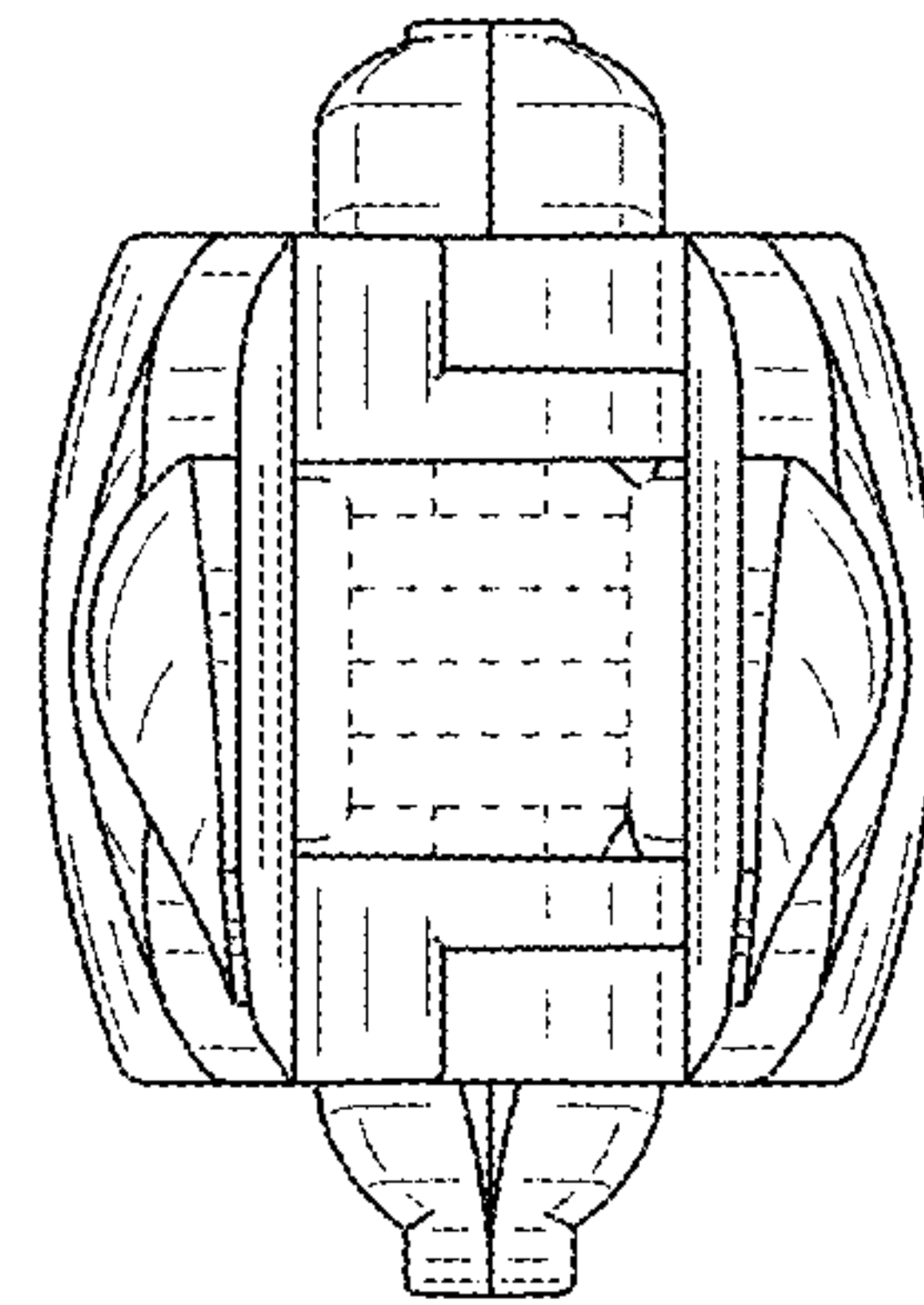


FIG. 6

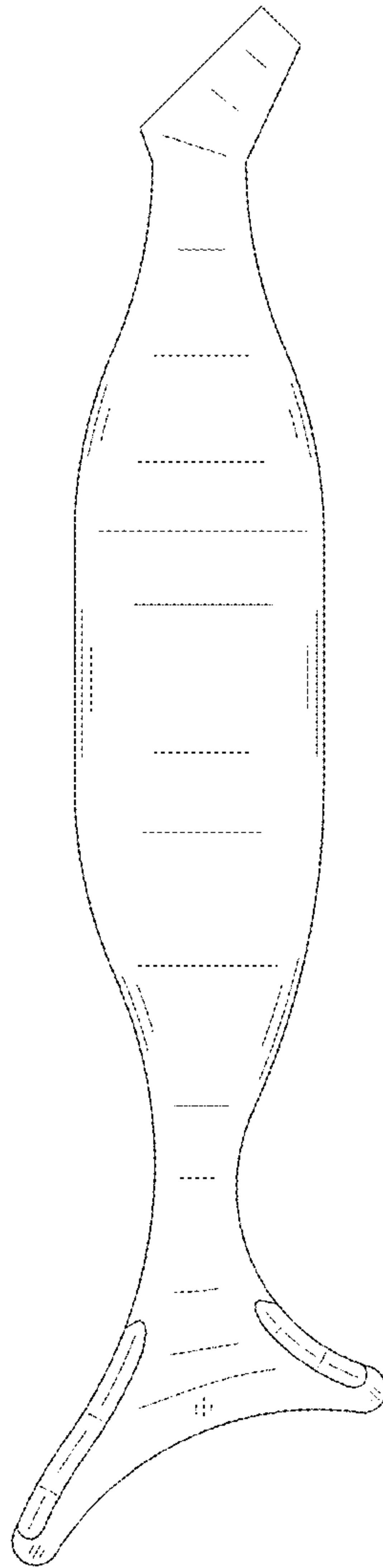


FIG. 7

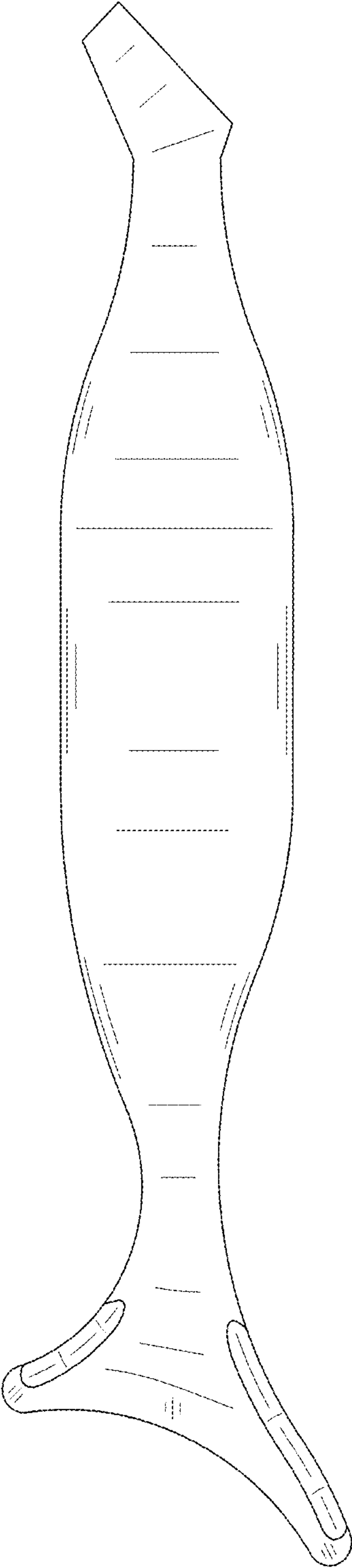


FIG. 8

