



US00D784614S

(12) **United States Design Patent** (10) **Patent No.:** **US D784,614 S**  
**Stephens et al.** (45) **Date of Patent:** **\*\* Apr. 18, 2017**

(54) **ACCESSORY FOR A HAIRDRYER** 5,275,339 A \* 1/1994 Andis ..... A45D 20/122  
239/443  
(71) Applicant: **Dyson Technology Limited**, Wiltshire (GB) D349,585 S \* 8/1994 Rizzuto, Jr. .... D28/18  
D407,848 S \* 4/1999 Celik ..... D28/13  
D429,374 S \* 8/2000 Muller ..... D28/18  
(72) Inventors: **Philip Jonathan Stephens**, Swindon (GB); **Stephen Farrar Smith**, Bristol (GB); **Andrea Ee-Va Lim**, Bristol (GB); **Peter David Gammack**, Swindon (GB); **Edward Sebert Maurice Shelton**, Swindon (GB); **Callum Wright**, Bristol (GB) D477,112 S \* 7/2003 Yeung ..... D28/18  
D617,945 S \* 6/2010 Kim ..... D28/18  
D715,486 S \* 10/2014 Brady ..... D28/18  
9,408,452 B1 \* 8/2016 Al-Khulaifi ..... A45D 20/12  
2011/0209721 A1 \* 9/2011 Yahnker ..... A45D 20/12  
132/271

**FOREIGN PATENT DOCUMENTS**

(73) Assignee: **Dyson Technology Limited**, Malmesbury, Wiltshire (GB) DE 4100509 A1 \* 7/1992 ..... A45D 20/122  
DE 9214397 U1 \* 12/1992 ..... A45D 20/122  
DE 29507649 U1 \* 9/1996 ..... A45D 20/122

(Continued)

(\*\*) Term: **15 Years**

*Primary Examiner* — Catherine Tuttle  
*Assistant Examiner* — Mary Malley  
(74) *Attorney, Agent, or Firm* — Morrison & Foerster LLP

(21) Appl. No.: **29/549,136**

(22) Filed: **Dec. 18, 2015**

(30) **Foreign Application Priority Data**

Jun. 18, 2015 (EM) ..... 001436281-0001

(51) **LOC (10) Cl.** ..... **28-03**

(52) **U.S. Cl.**  
USPC ..... **D28/18**

(58) **Field of Classification Search**  
USPC ... D28/9, 10, 12, 13, 14, 15, 17, 18, 19, 20,  
D28/25, 28; D30/158, 159; 34/98  
CPC ..... A45D 20/00; A45D 20/04; A45D 20/08;  
A45D 20/10; A45D 20/12; A45D 20/122;  
A45D 20/14; A45D 20/124; A45D 20/26;  
A45D 20/16; A45D 20/126; A45D  
2020/128

See application file for complete search history.

(56) **References Cited**

**U.S. PATENT DOCUMENTS**

D265,598 S \* 7/1982 Radatz ..... D28/18  
D287,297 S \* 12/1986 Reid ..... D28/12

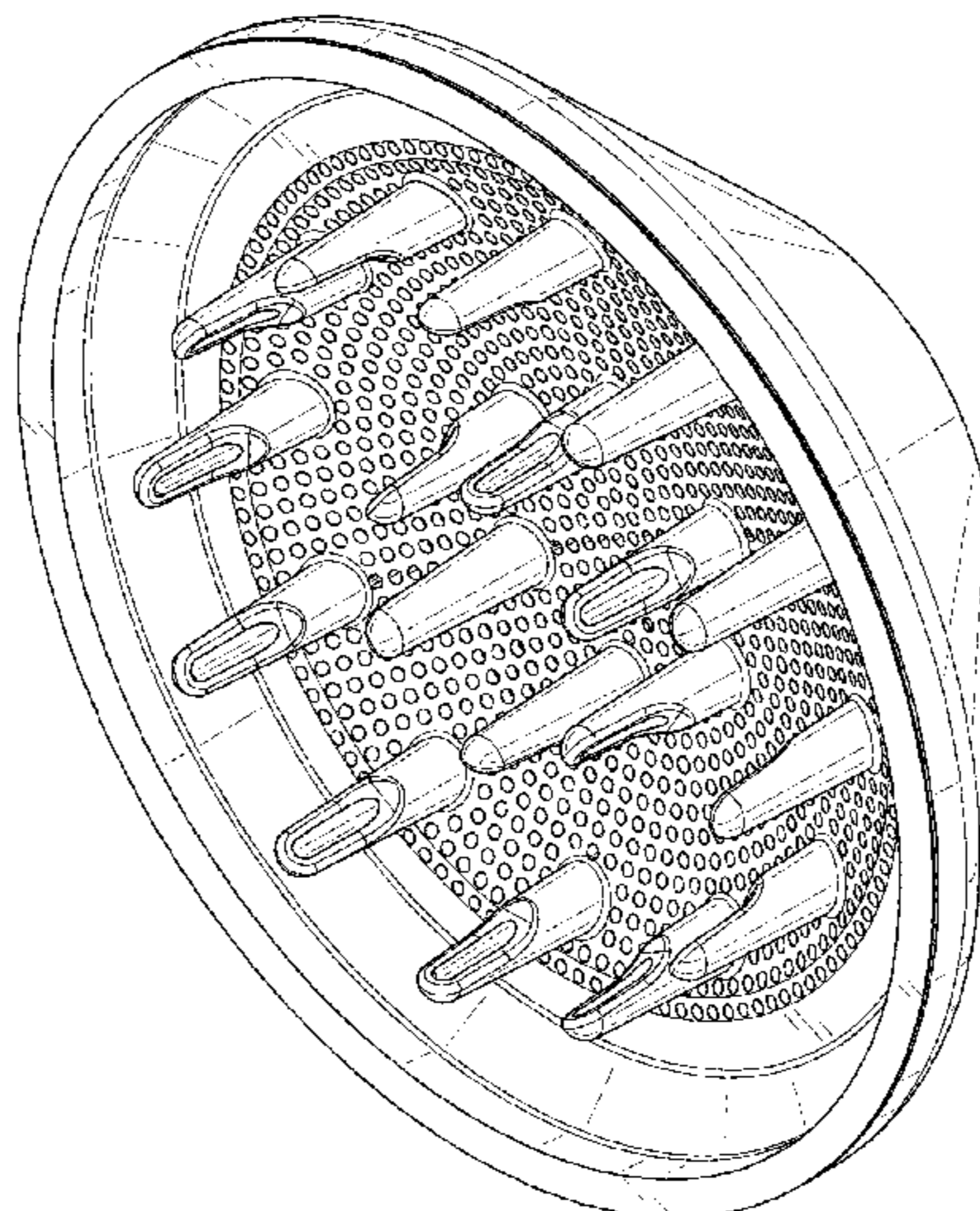
(57) **CLAIM**

We claim the ornamental design for an accessory for a hairdryer, as shown and described.

**DESCRIPTION**

FIG. 1 is a perspective view of an accessory for a hairdryer showing our new design;  
FIG. 2 is a front view thereof;  
FIG. 3 is a rear view thereof;  
FIG. 4 is a side view thereof;  
FIG. 5 is a side view of the opposite side of FIG. 4;  
FIG. 6 is a top view thereof; and,  
FIG. 7 is a bottom view thereof.  
The broken lines are included for the purpose of illustrating portions of an accessory for a hairdryer that form no part of the claimed design.

**1 Claim, 7 Drawing Sheets**



(56)

**References Cited**

FOREIGN PATENT DOCUMENTS

EP	EP 0439781	A1	*	8/1991	.....	A45D 20/122
RU	00098740		*	6/2016		
WO	D054626-001		*	2/2001		
WO	WO 2014034919	A1	*	3/2014	.....	A45D 20/10

\* cited by examiner

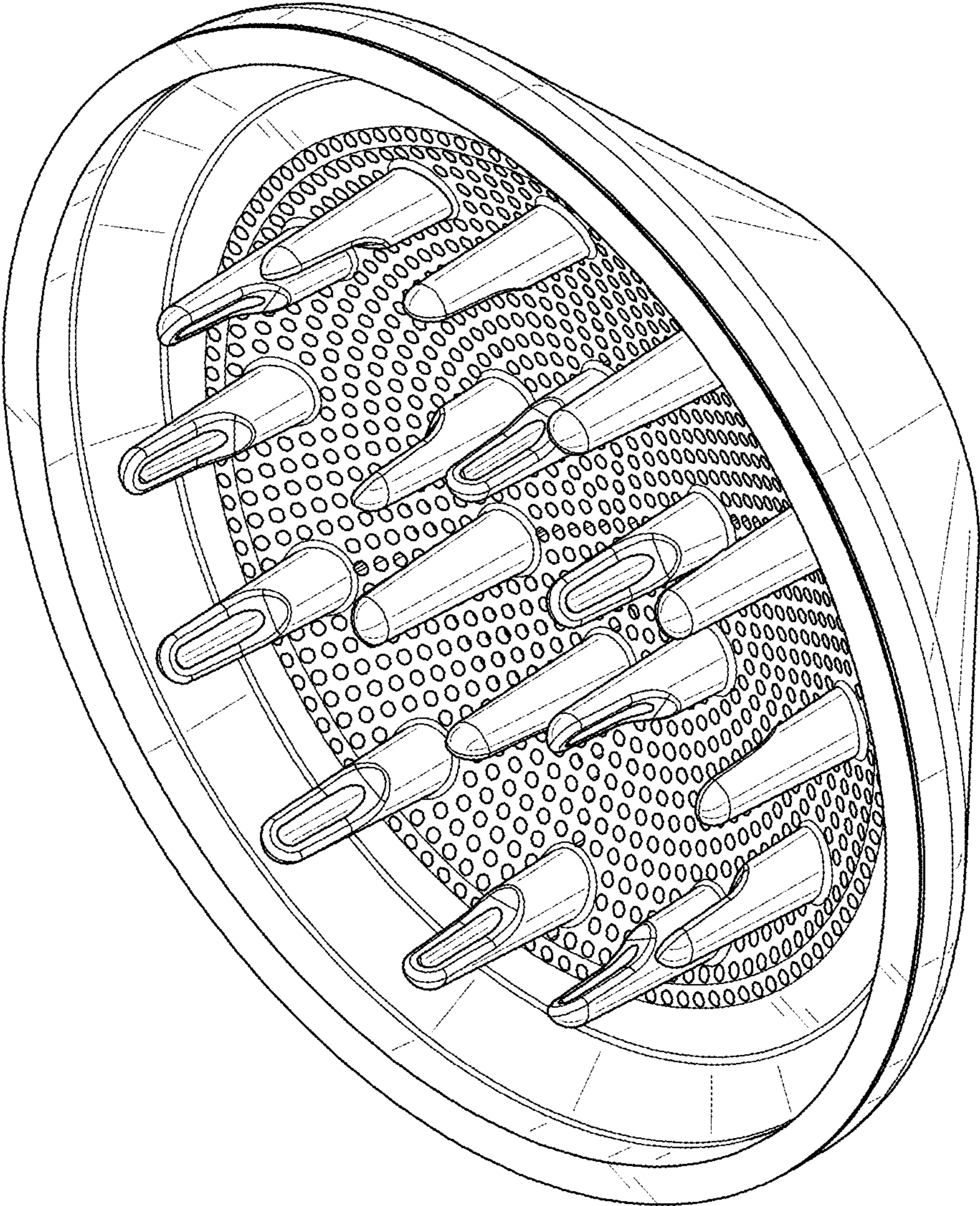


FIG. 1



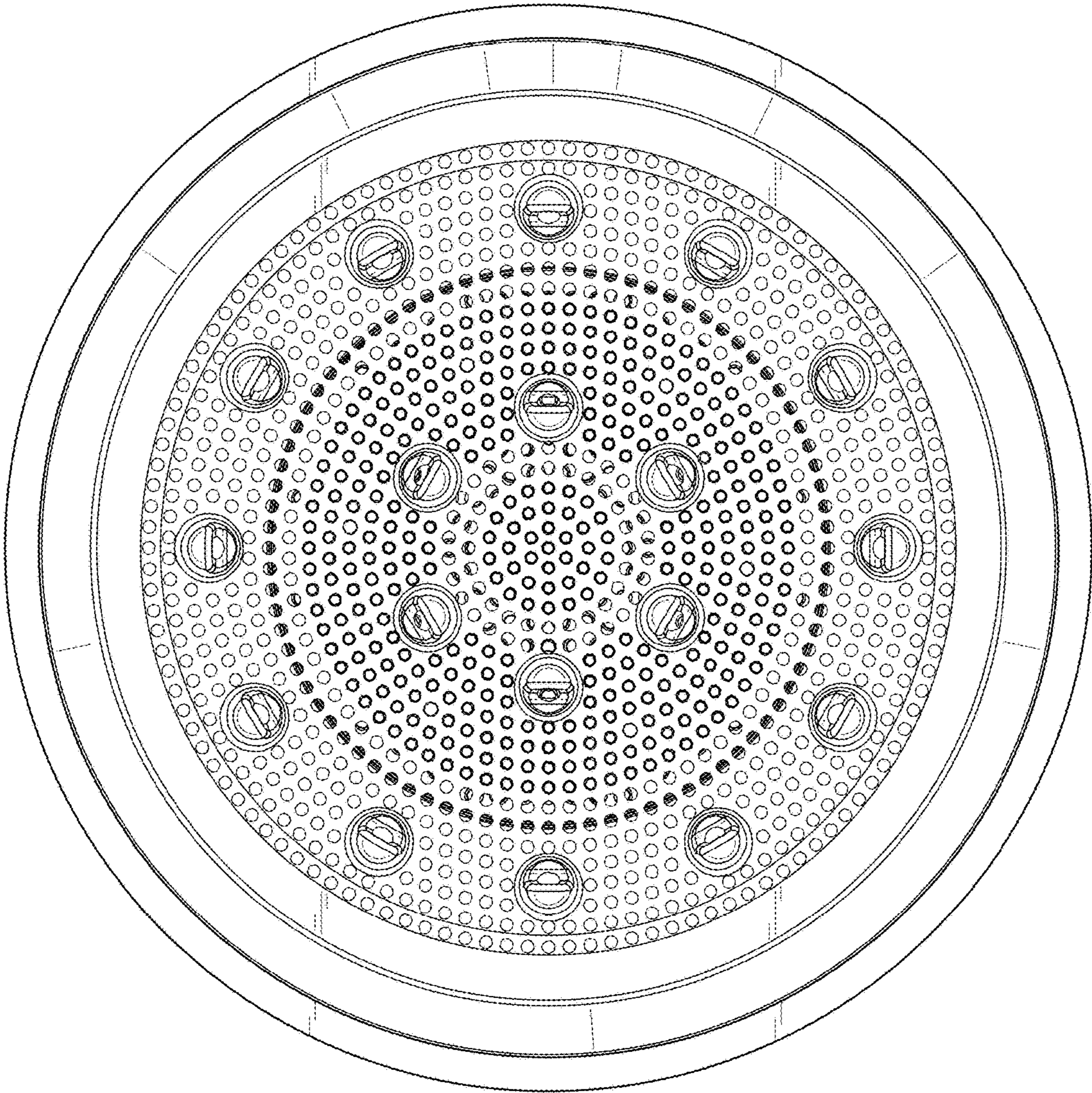


FIG. 2

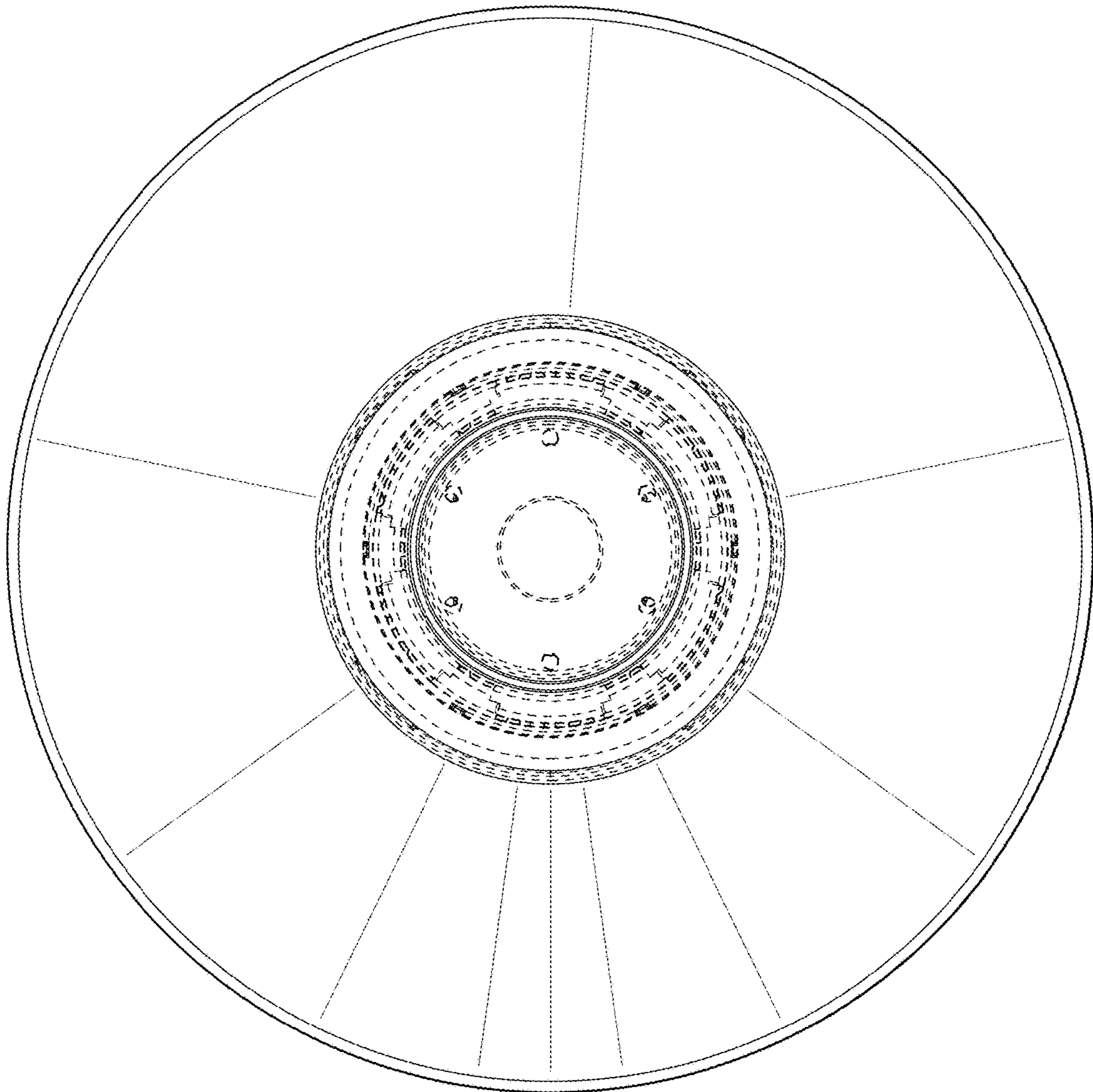


FIG. 3

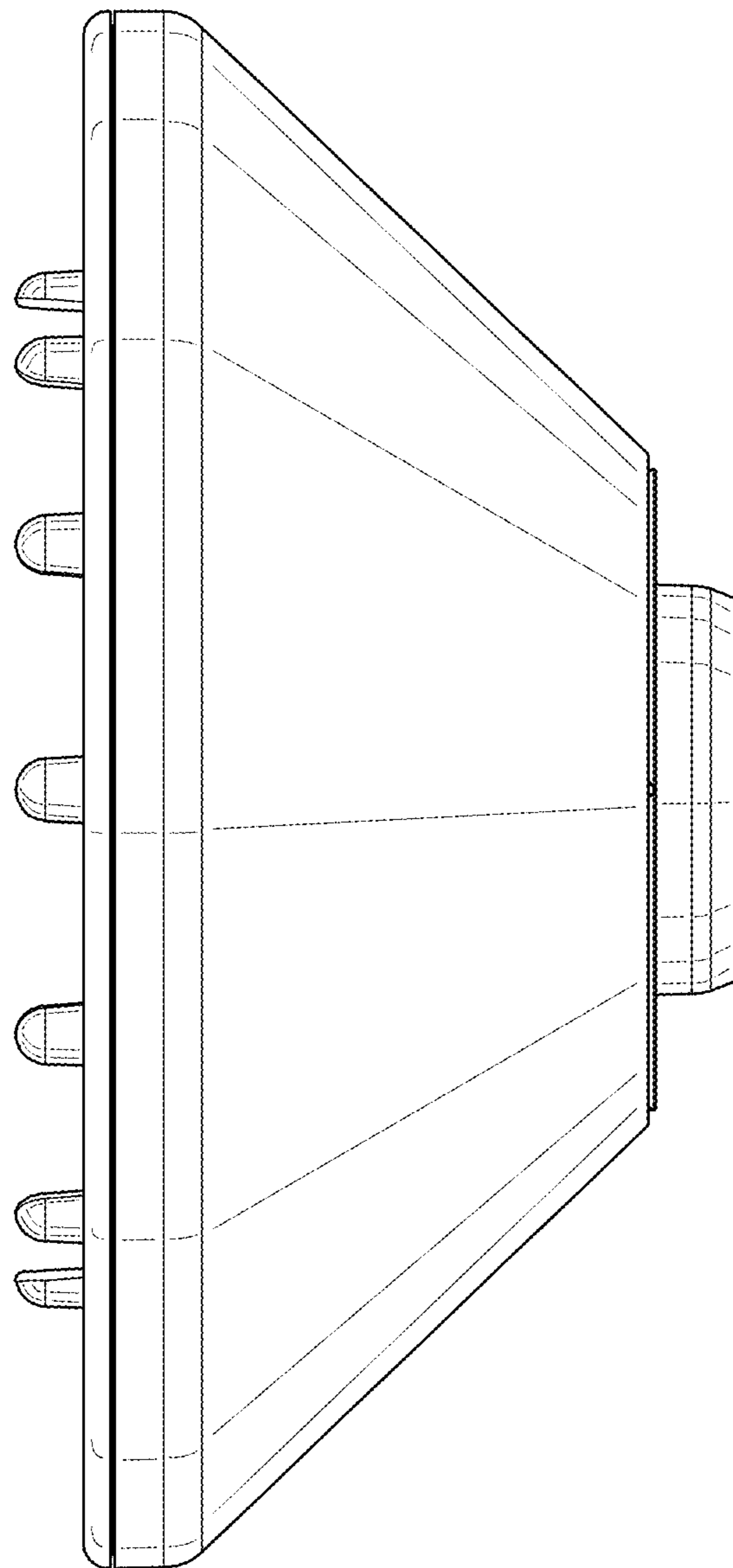


FIG. 4



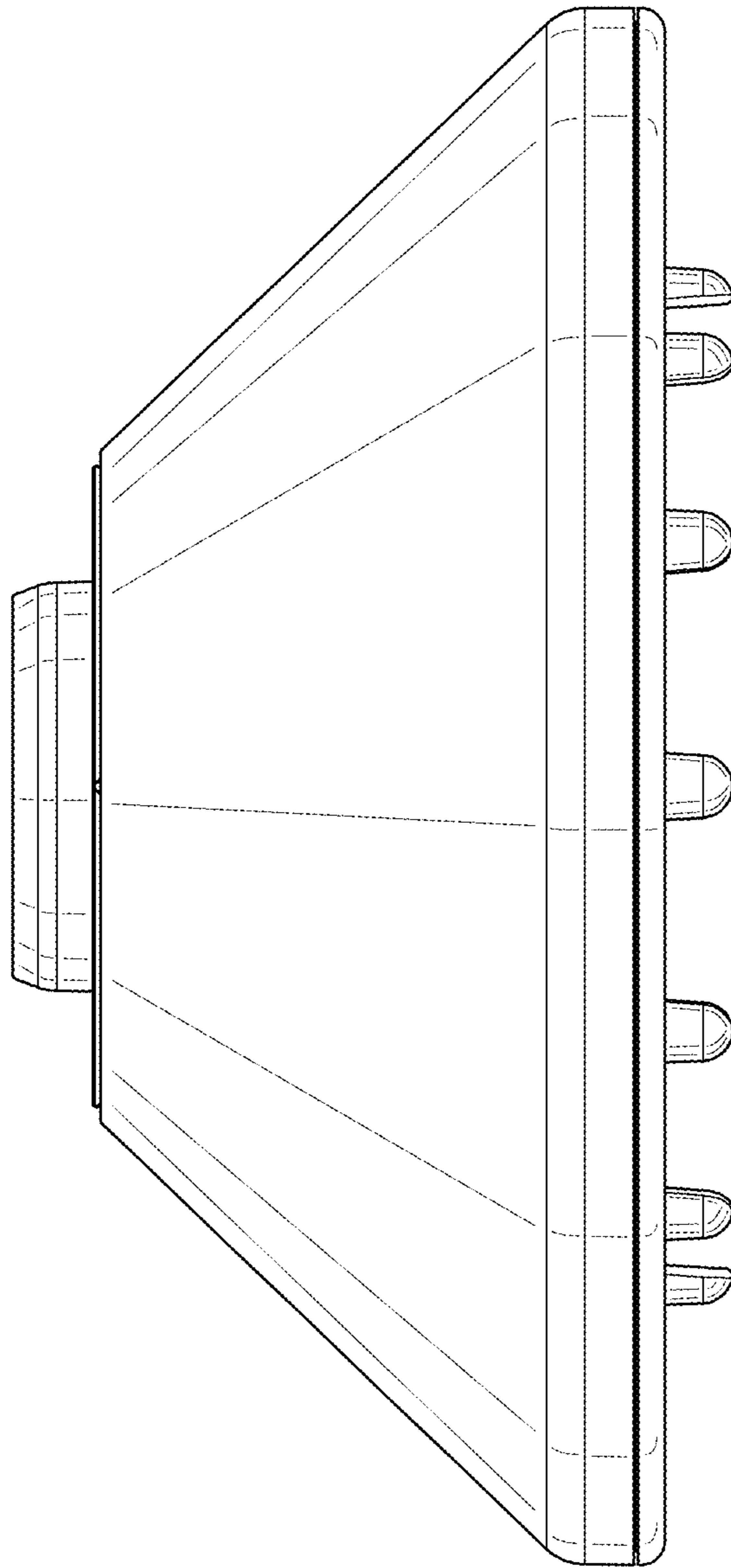


FIG. 5

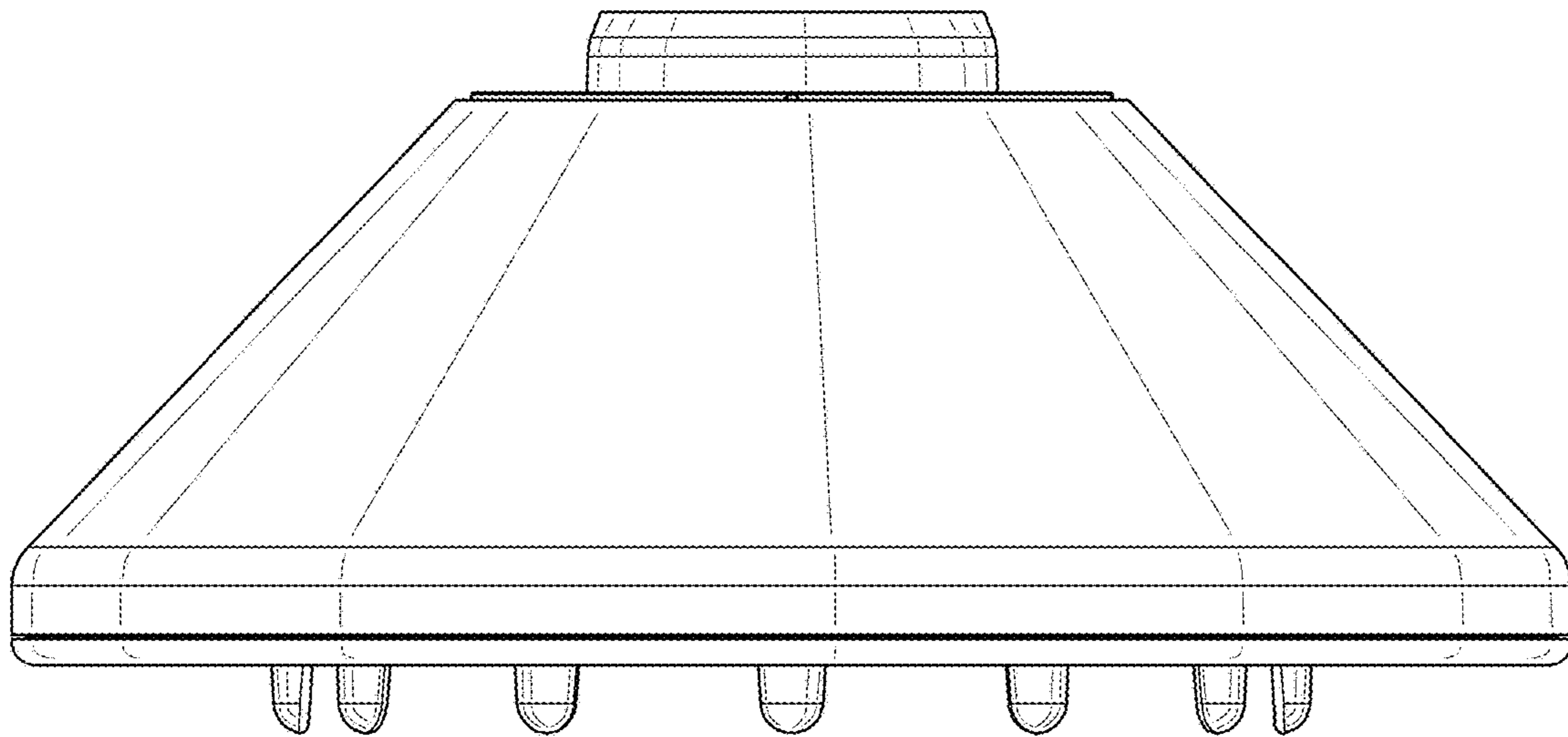


FIG. 6



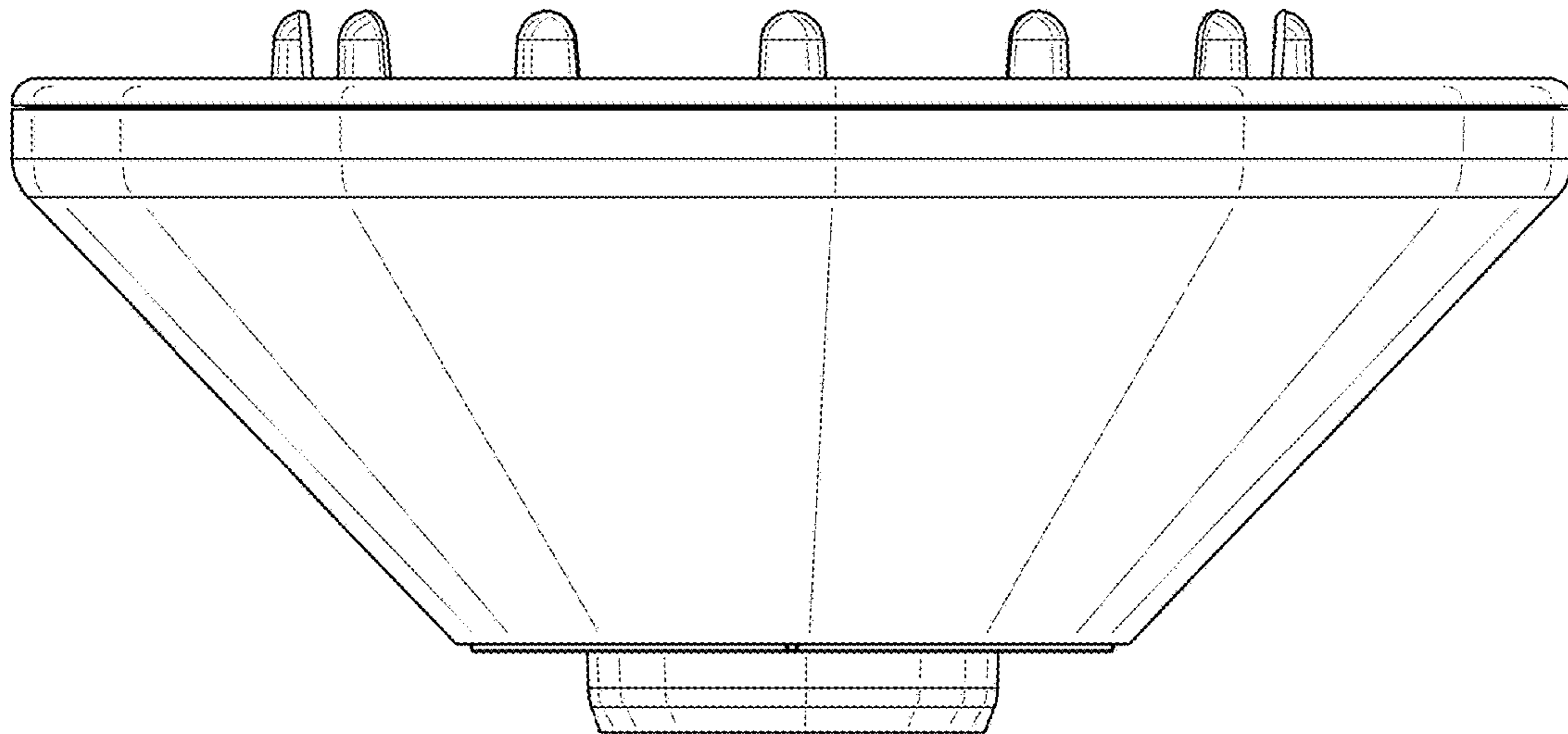


FIG. 7