



US00D784613S

(12) **United States Design Patent**
May et al.

(10) **Patent No.:** **US D784,613 S**

(45) **Date of Patent:** **** Apr. 18, 2017**

- (54) **SKIN CARE APPLICATOR**
- (71) Applicant: **The Procter & Gamble Company**,
Cincinnati, OH (US)
- (72) Inventors: **Stuart Richard May**, Gladesville
(AU); **Dimitrios Scoutas**, Camperdown
(AU)
- (73) Assignee: **The Procter & Gamble Company**,
Cincinnati, OH (US)
- (**) Term: **14 Years**
- (21) Appl. No.: **29/520,498**
- (22) Filed: **Mar. 16, 2015**
- (51) **LOC (10) Cl.** **28-03**
- (52) **U.S. Cl.**
USPC **D28/7**
- (58) **Field of Classification Search**
USPC D28/76-77, 7-8, 9; D24/200, 209, 214,
D24/215
CPC A61K 8/64; A45D 34/04-34/048; A61B
17/52; A61M 35/003; A61M 2037/0007
See application file for complete search history.

- D743,101 S * 11/2015 Pires D28/76
- D753,341 S * 4/2016 Moreaux D28/7
- D754,395 S * 4/2016 Yeo D28/7
- D754,922 S * 4/2016 Schroft D28/7
- 2015/0104236 A1* 4/2015 Pires A45D 34/042
401/202
- 2015/0121900 A1* 5/2015 Yamazaki A61F 7/02
62/3.3
- 2015/0150599 A1* 6/2015 Matsushita A61N 2/06
604/20
- 2016/0074302 A1* 3/2016 Osborne A61K 8/64
514/18.8
- 2016/0074642 A1* 3/2016 Nanini-Maury A61M 35/003
600/9

* cited by examiner

Primary Examiner — Jennifer Rivard
(74) *Attorney, Agent, or Firm* — John G. Powell; S.
Robert Chuey

(57) **CLAIM**

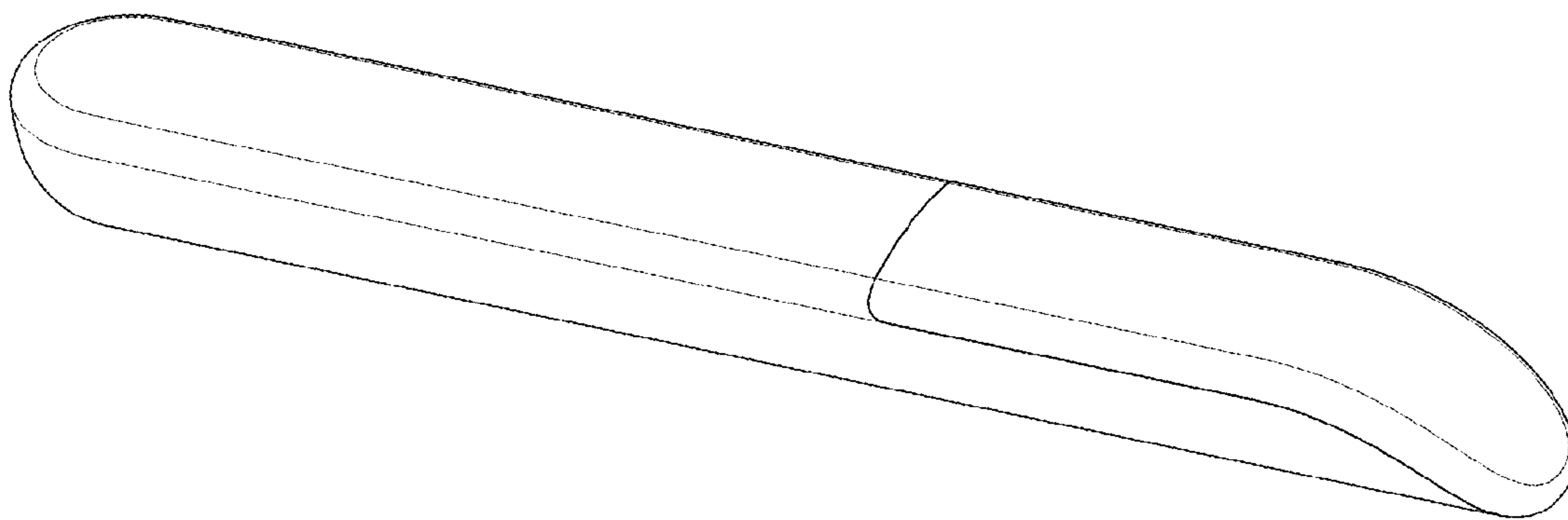
The ornamental design for a skin care applicator, as shown and described.

DESCRIPTION

FIG. 1 is a perspective view of a skin care applicator, embodying our new design;
FIG. 2 is a top plan view thereof;
FIG. 3 is a right side view thereof;
FIG. 4 is a bottom plan view thereof;
FIG. 5 is a left side view thereof;
FIG. 6 is a front side view thereof; and,
FIG. 7 is a back side view thereof.

1 Claim, 1 Drawing Sheet

- (56) **References Cited**
U.S. PATENT DOCUMENTS
D285,730 S * 9/1986 Bulwick D19/901
D311,258 S * 10/1990 Jankewitz D28/7
D564,706 S * 3/2008 Kadlubowski D28/76
D629,591 S * 12/2010 Nguyen D2/860
D712,594 S * 9/2014 Heilman D28/76



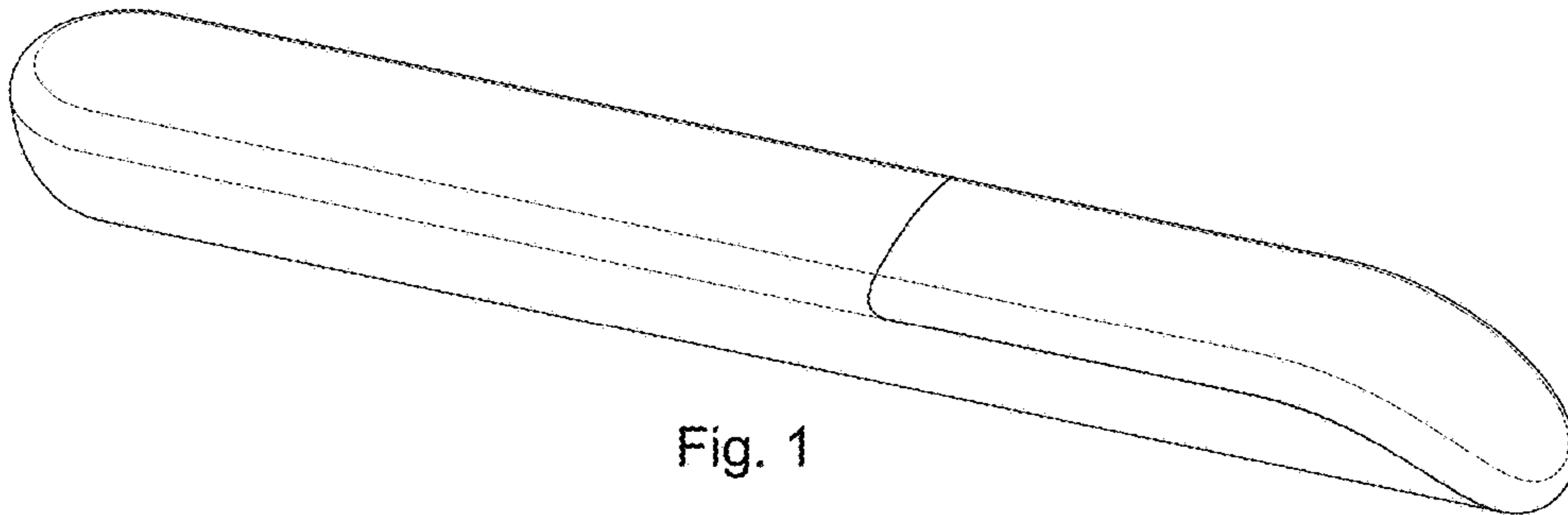


Fig. 1

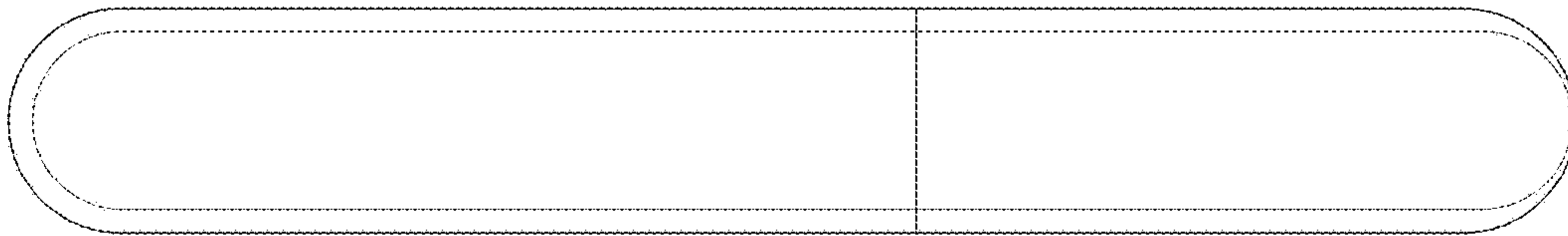


Fig. 2

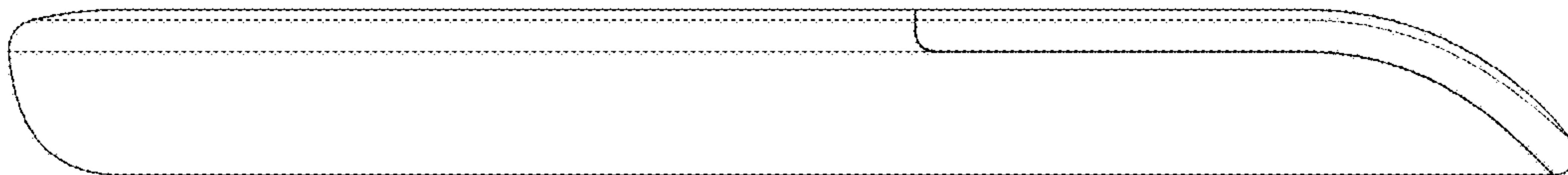


Fig. 3

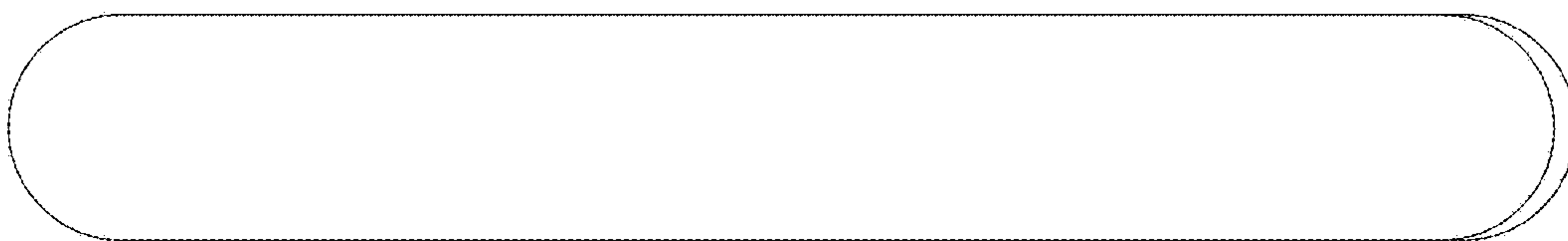


Fig. 4

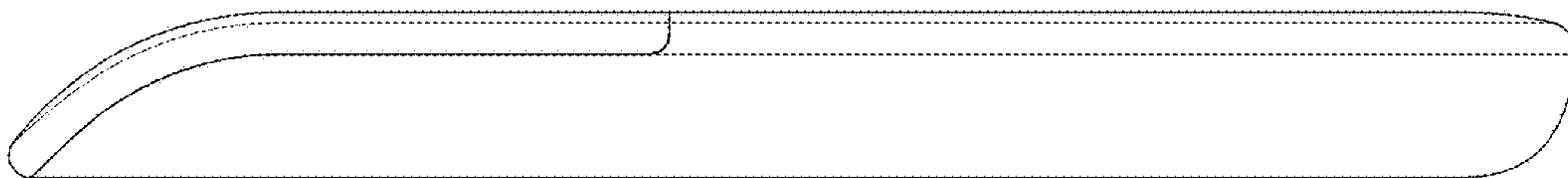


Fig. 5

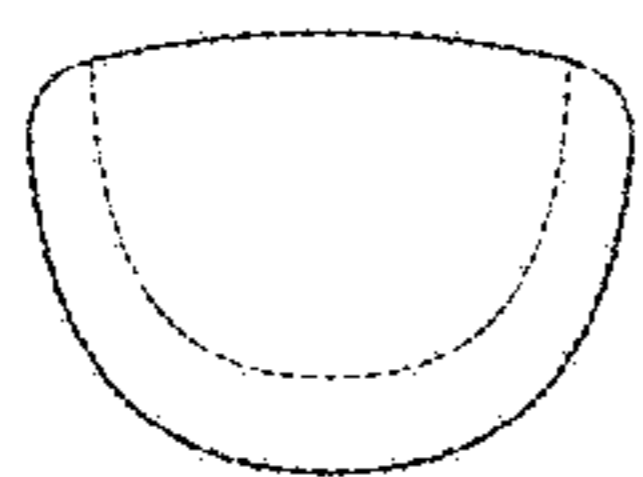


Fig. 6

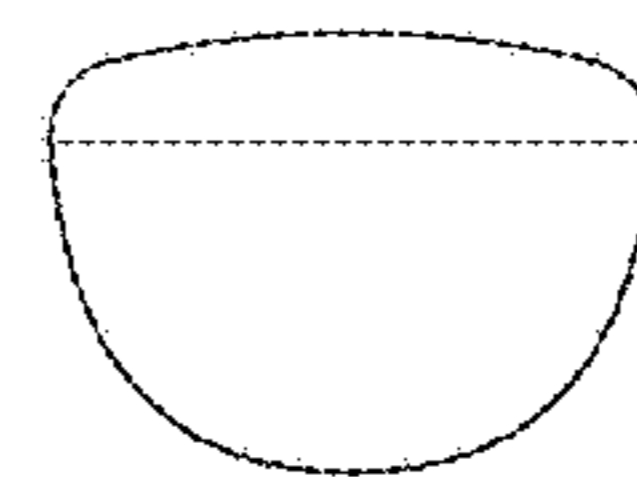


Fig. 7