



US00D784612S

(12) **United States Design Patent**
Antons

(10) **Patent No.:** **US D784,612 S**
(45) **Date of Patent:** **** Apr. 18, 2017**

(54) **DISPOSABLE HAIR LIGHTENING COMB**

(71) Applicant: **Peter Antons**, Bellingham, WA (US)

(72) Inventor: **Peter Antons**, Bellingham, WA (US)

(**) Term: **14 Years**

(21) Appl. No.: **29/474,909**

(22) Filed: **Mar. 16, 2015**

(51) **LOC (10) Cl.** **28-03**

(52) **U.S. Cl.**
USPC **D28/7**

(58) **Field of Classification Search**

USPC D28/7, 8, 20-22, 30-31, 76, 85, 99;
132/108, 202, 208, 317, 320;
401/202-207, 261-267; D4/132-135;
D24/119

CPC A45D 19/02; A45D 24/22; A46B 11/004
See application file for complete search history.

6,260,557 B1 7/2001 Yarbrough
6,302,607 B1 * 10/2001 Burrowes A45D 19/02
132/148
D461,280 S * 8/2002 Swaner D28/20
D462,808 S * 9/2002 Swaner D28/20
7,055,528 B2 6/2006 Shah et al.
7,063,090 B2 6/2006 Wang et al.
7,334,583 B2 2/2008 Niv
D702,879 S * 4/2014 Tsai D28/30
2009/0114237 A1 5/2009 Massoni et al.

* cited by examiner

Primary Examiner — Zenia Bennett

(74) *Attorney, Agent, or Firm* — Gordon K. Anderson

(57) **CLAIM**

The ornamental design for a disposable hair lightening comb, as shown and described.

DESCRIPTION

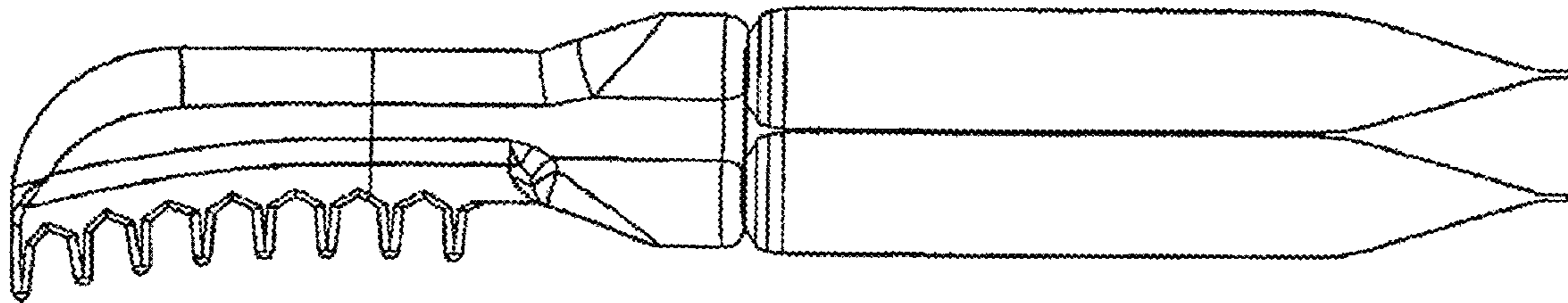
FIG. 1 is an isometric view of a disposable hair lightening comb showing my new design;
FIG. 2 is a left end view thereof;
FIG. 3 is a right end view thereof;
FIG. 4 is a top view thereof;
FIG. 5 is a front end view thereof, with a rear view a mirror image thereof; and,
FIG. 6 is a bottom view thereof.

1 Claim, 2 Drawing Sheets

(56) **References Cited**

U.S. PATENT DOCUMENTS

4,090,522 A 5/1978 Donley et al.
4,605,026 A 8/1986 Nolin
5,215,106 A 6/1993 Choi
D370,302 S * 5/1996 Healy D28/25
D399,602 S * 10/1998 Ratnam D28/25
6,112,751 A * 9/2000 Bennett A45D 19/02
132/116
6,145,513 A * 11/2000 Chu A45D 19/02
132/112



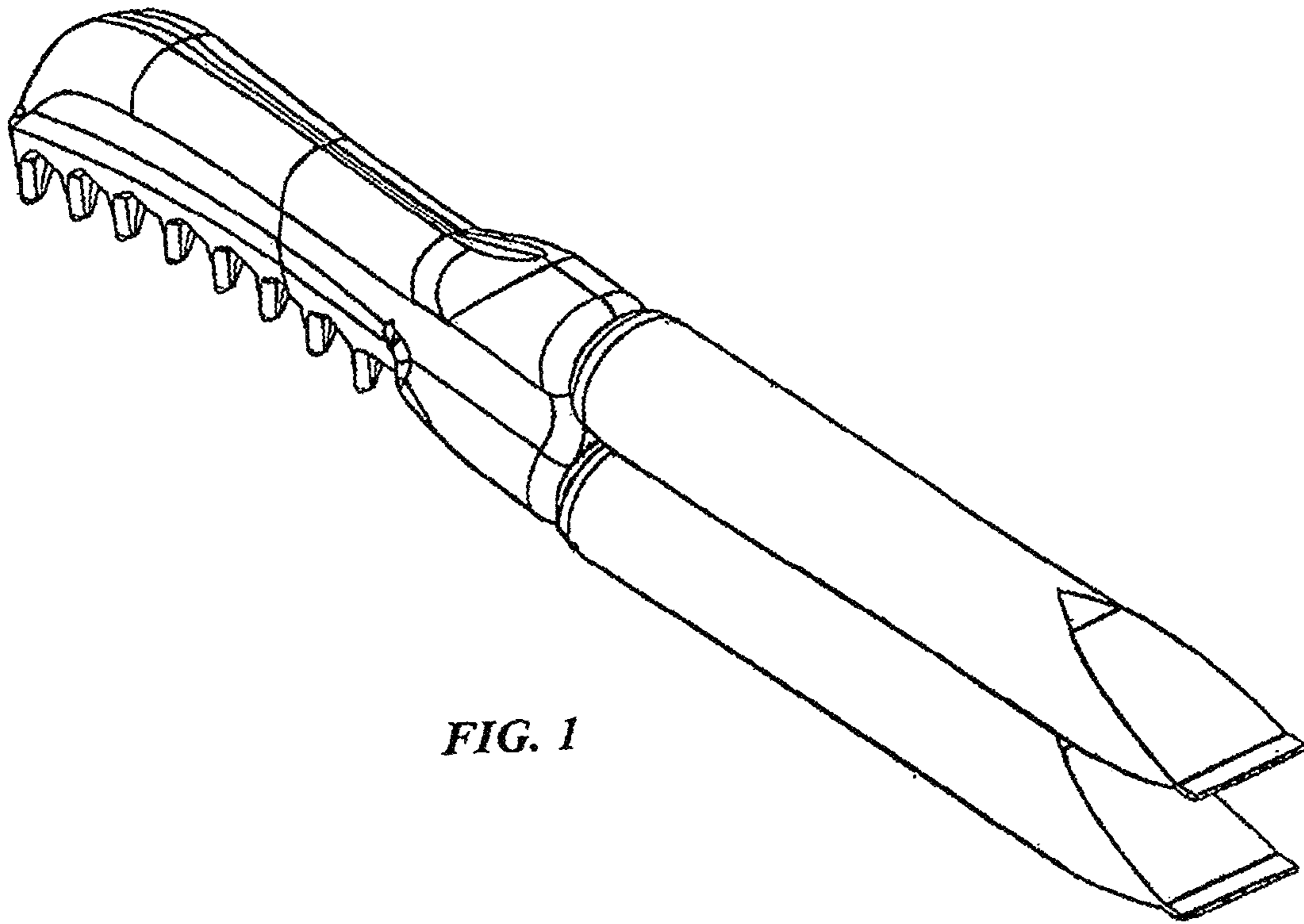


FIG. 1

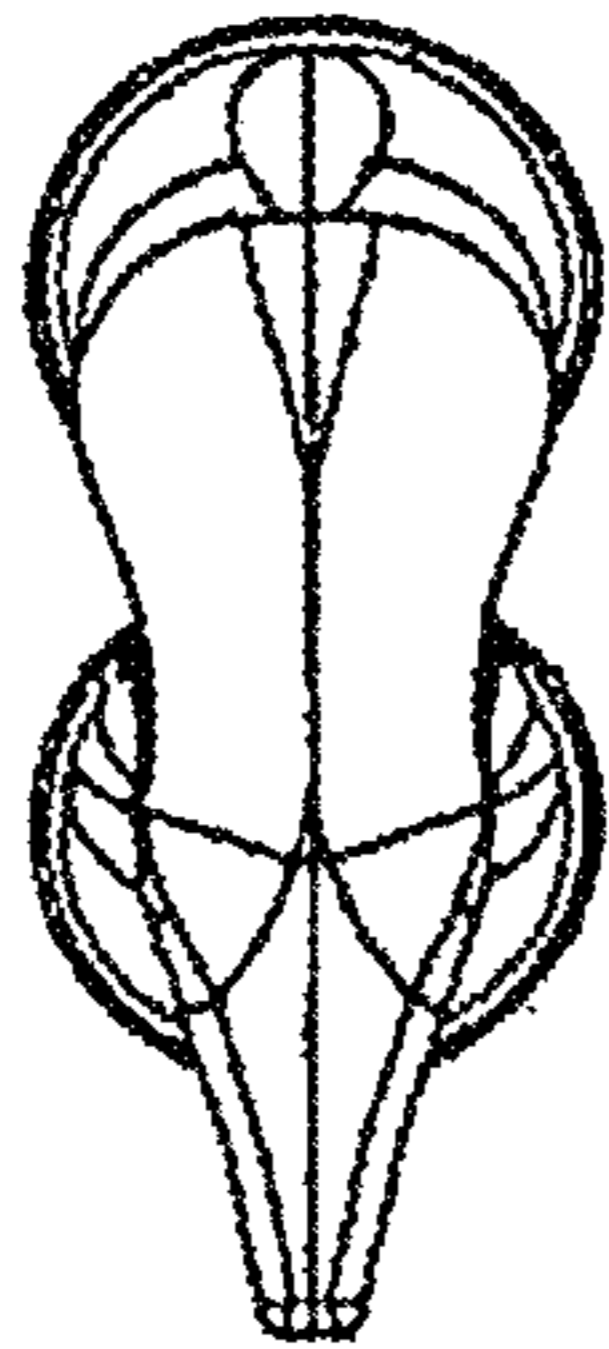


FIG. 2

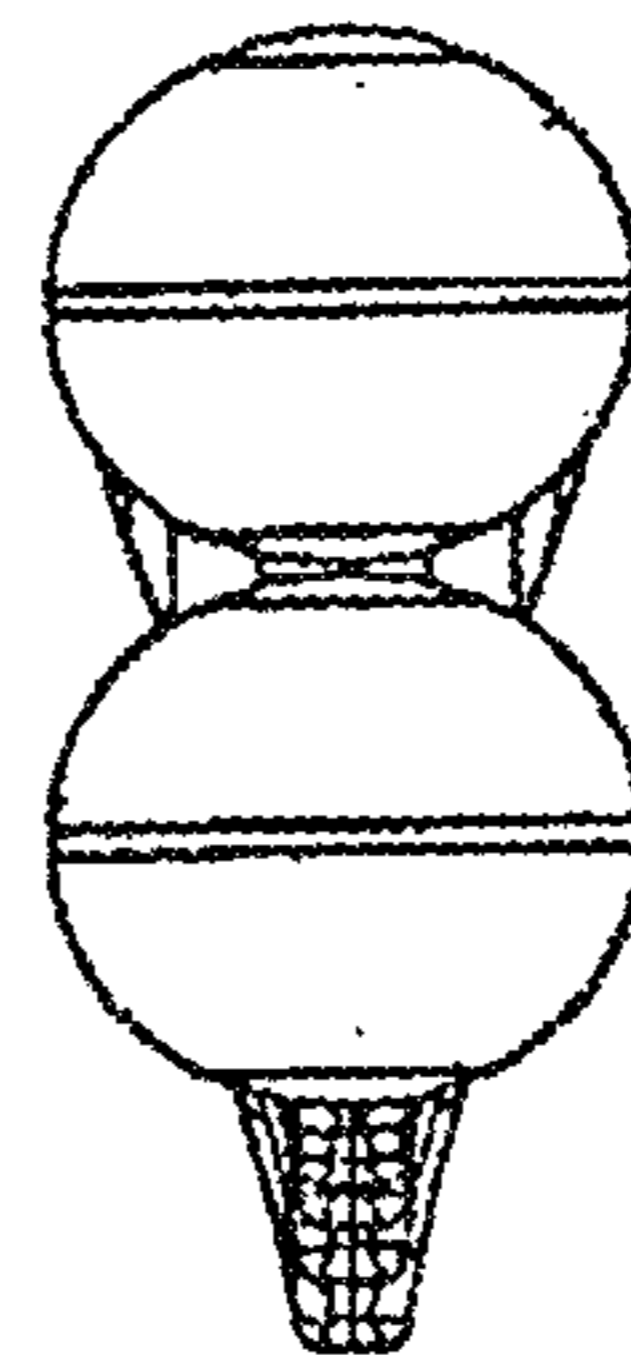


FIG. 3



FIG. 4

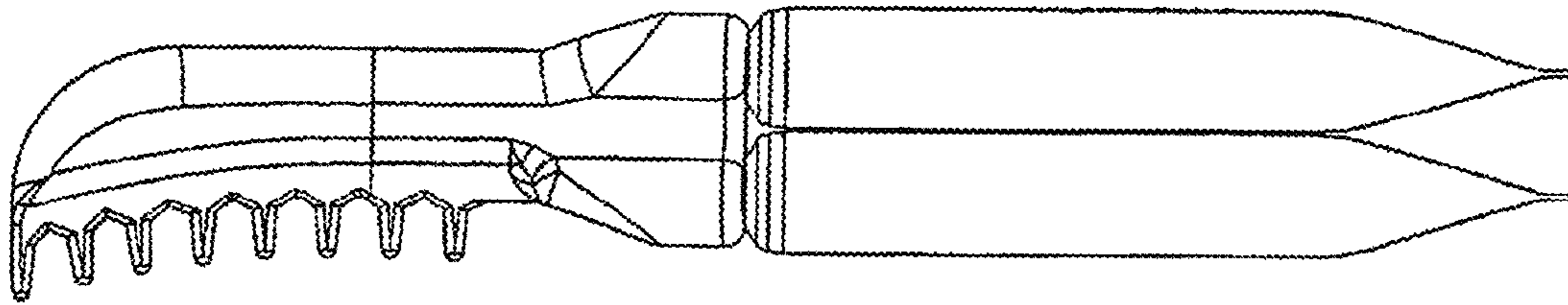


FIG. 5



FIG. 6