



US00D784611S

(12) **United States Design Patent**
Eng et al.

(10) **Patent No.:** **US D784,611 S**
(45) **Date of Patent:** **** Apr. 18, 2017**

- (54) **ELECTRONIC HOOKAH APPARATUS**
- (71) Applicants: **Ryan Eng**, East Brunswick, NJ (US);
David Lam, Mount Royal, NJ (US);
Eric Wong, East Brunswick, NJ (US)
- (72) Inventors: **Ryan Eng**, East Brunswick, NJ (US);
David Lam, Mount Royal, NJ (US);
Eric Wong, East Brunswick, NJ (US)
- (**) Term: **14 Years**
- (21) Appl. No.: **29/514,974**
- (22) Filed: **Jan. 19, 2015**
- (51) **LOC (10) Cl.** **27-02**
- (52) **U.S. Cl.**
USPC **D27/162**
- (58) **Field of Classification Search**
USPC D27/162, 163, 166–169, 101;
131/328–330, 173, 226; D23/360
CPC A24F 1/30; A24F 47/008; A61M 15/009
See application file for complete search history.

- 2010/0326453 A1* 12/2010 Chaoui A24F 1/30
131/173
- 2012/0180803 A1* 7/2012 Beloni A24F 1/30
131/173
- 2013/0220350 A1* 8/2013 Zakayan A24F 9/00
131/257
- 2014/0130811 A1* 5/2014 Touzjian A24F 1/32
131/173
- 2014/0283852 A1* 9/2014 Dabes A24F 1/30
131/173
- 2016/0206001 A1* 7/2016 Eng A24F 47/008

* cited by examiner

Primary Examiner — Susan Bennett Hattan
Assistant Examiner — Janice Hallmark

(56) **References Cited**

U.S. PATENT DOCUMENTS

- D558,919 S * 1/2008 Kassir D27/162
- D584,853 S * 1/2009 Kassir D27/162
- 7,565,908 B2 * 7/2009 Liu A24F 1/30
131/173
- 2006/0107964 A1* 5/2006 Ohanesian A24F 1/30
131/173
- 2009/0095310 A1* 4/2009 Chaoui A24F 1/30
131/173

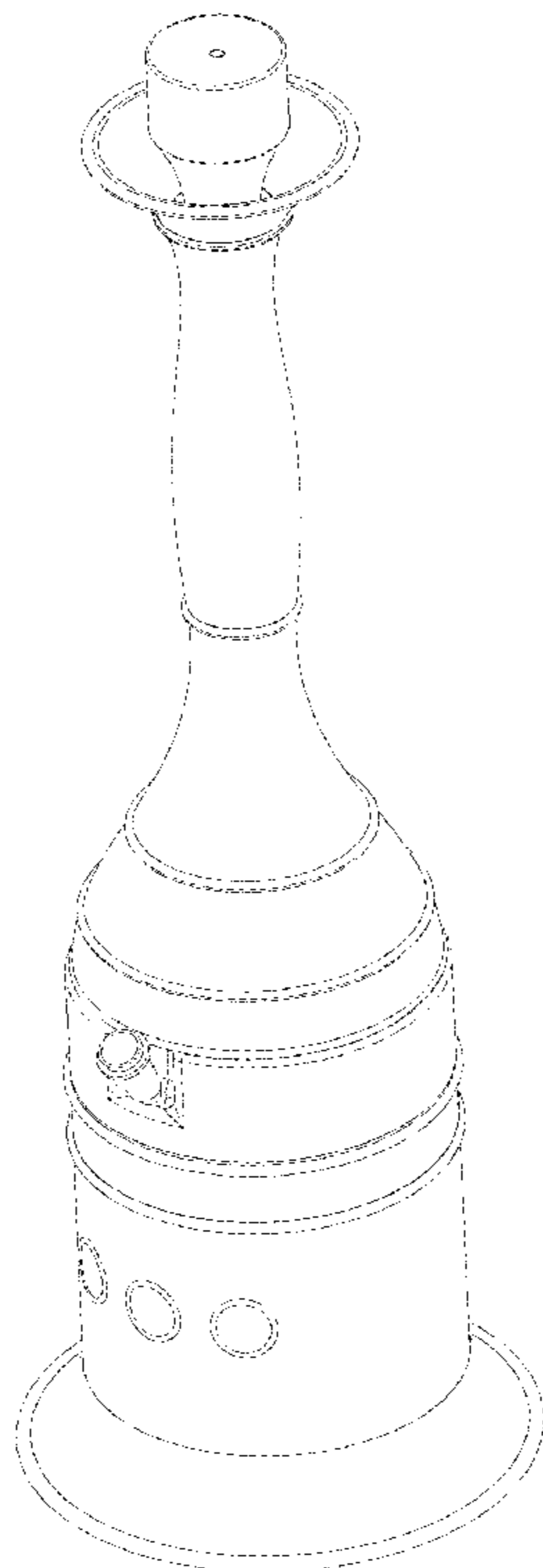
(57) **CLAIM**

The ornamental design for an electronic hookah apparatus, as shown and described.

DESCRIPTION

FIG. 1 is a perspective view of one side, the top, and the front of the electronic hookah apparatus showing my new design;
FIG. 2 is a front view thereof;
FIG. 3 is a back view thereof;
FIG. 4 is a left side view thereof;
FIG. 5 is a right side view thereof; and,
FIG. 6 is a top view thereof.

1 Claim, 6 Drawing Sheets



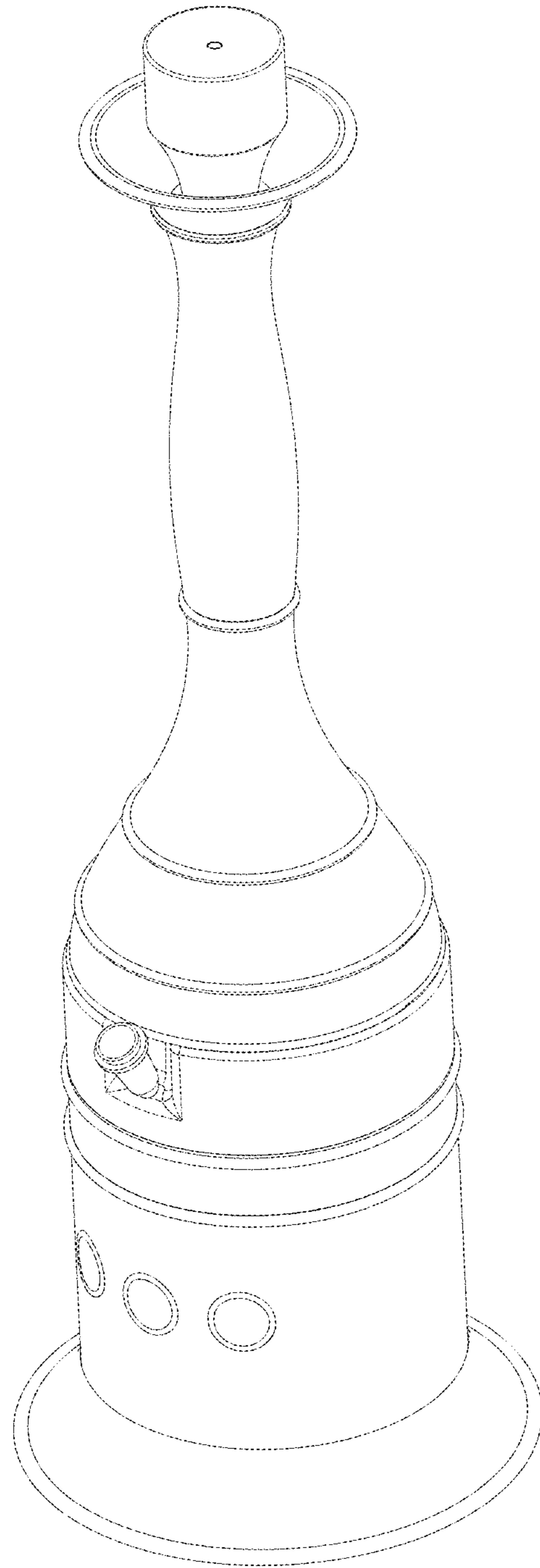


FIG. 1

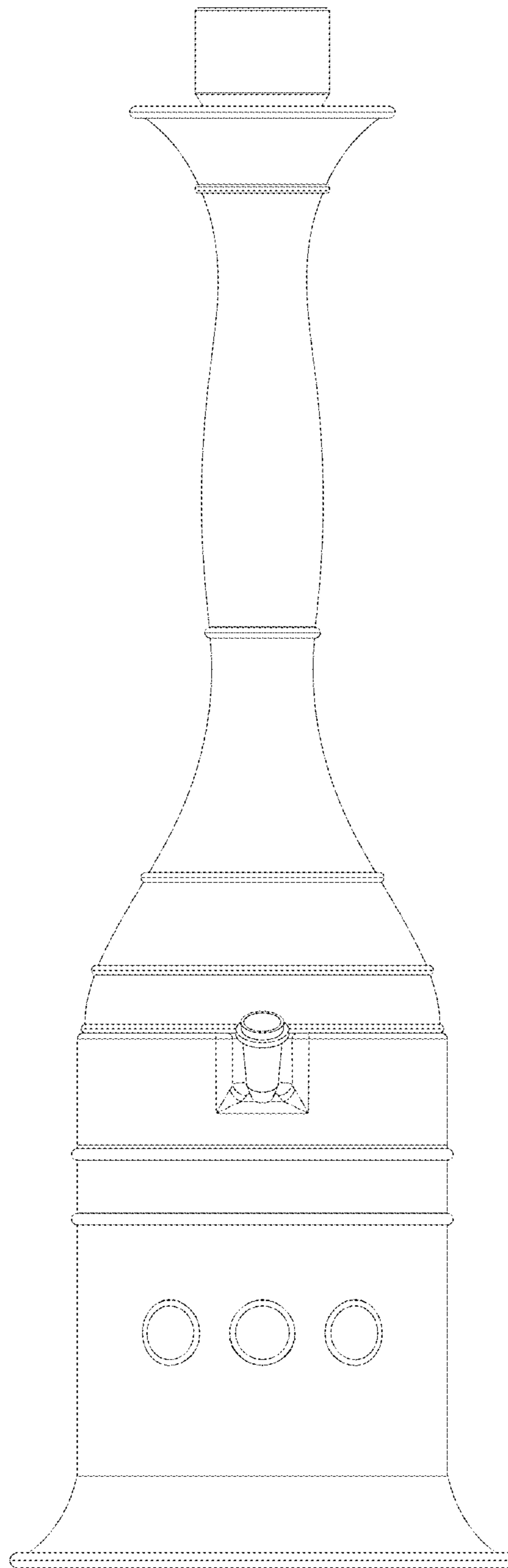


FIG. 2

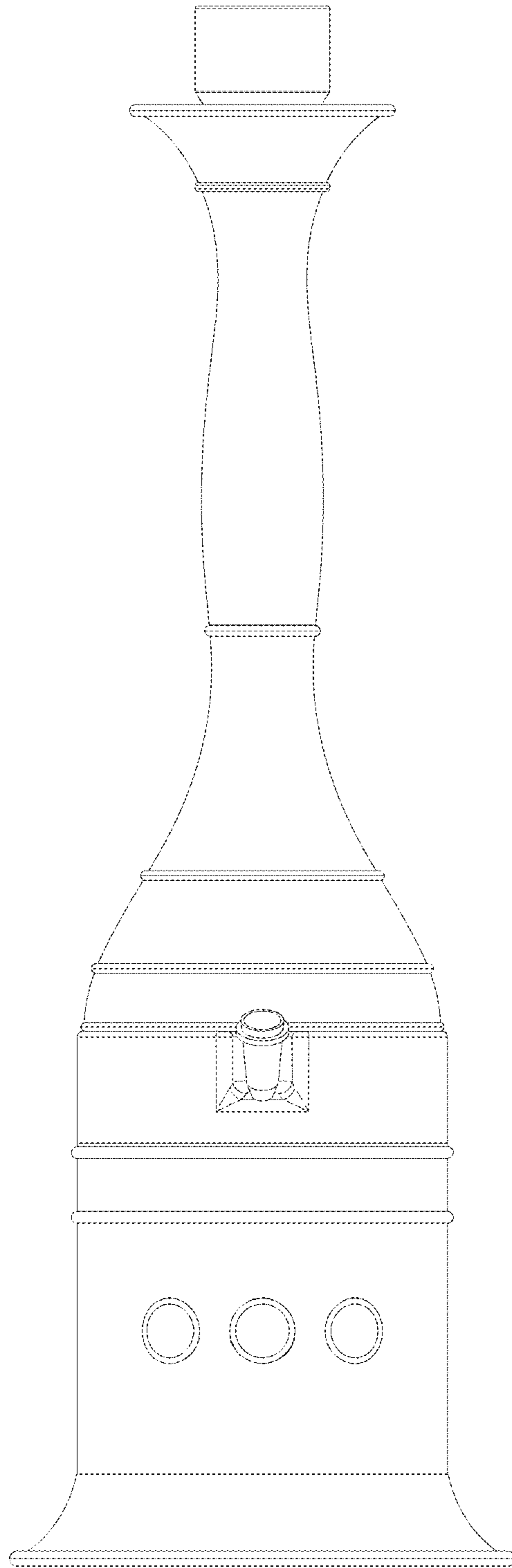


FIG. 3

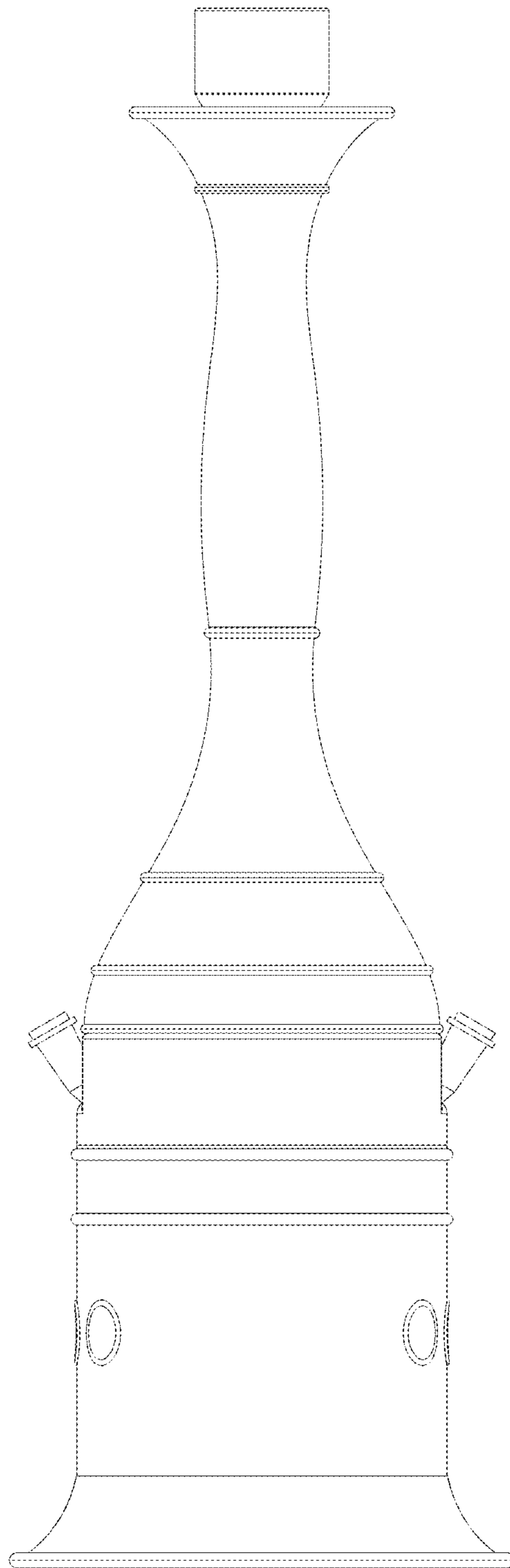


FIG. 4

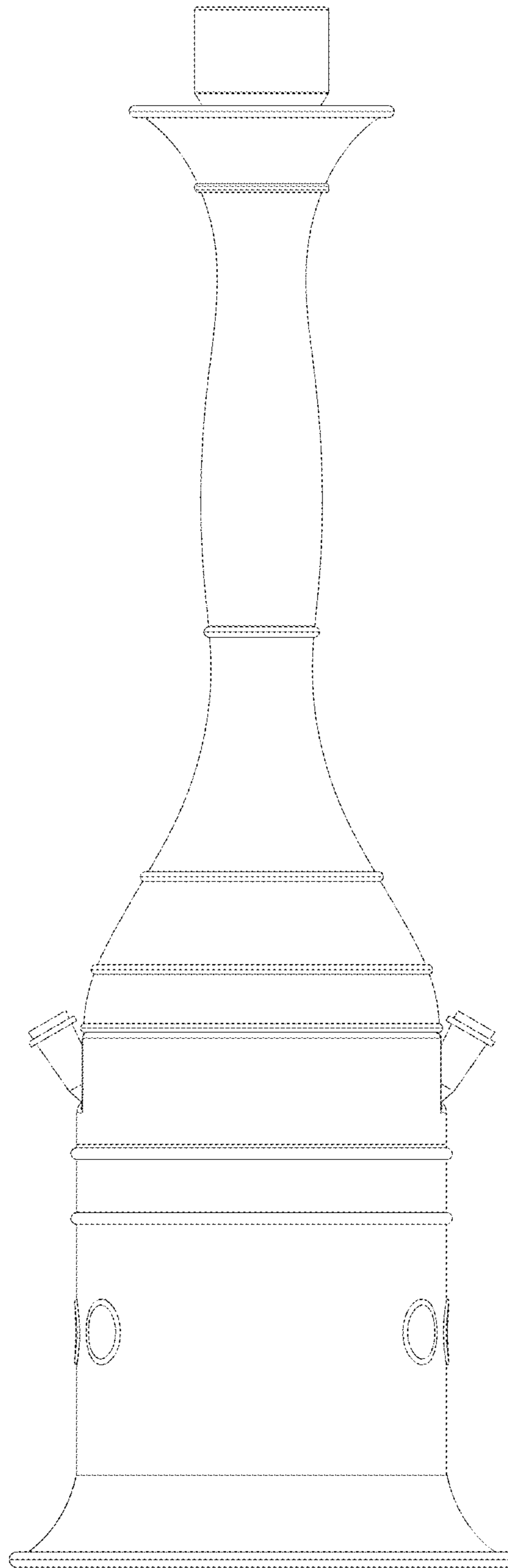


FIG. 5

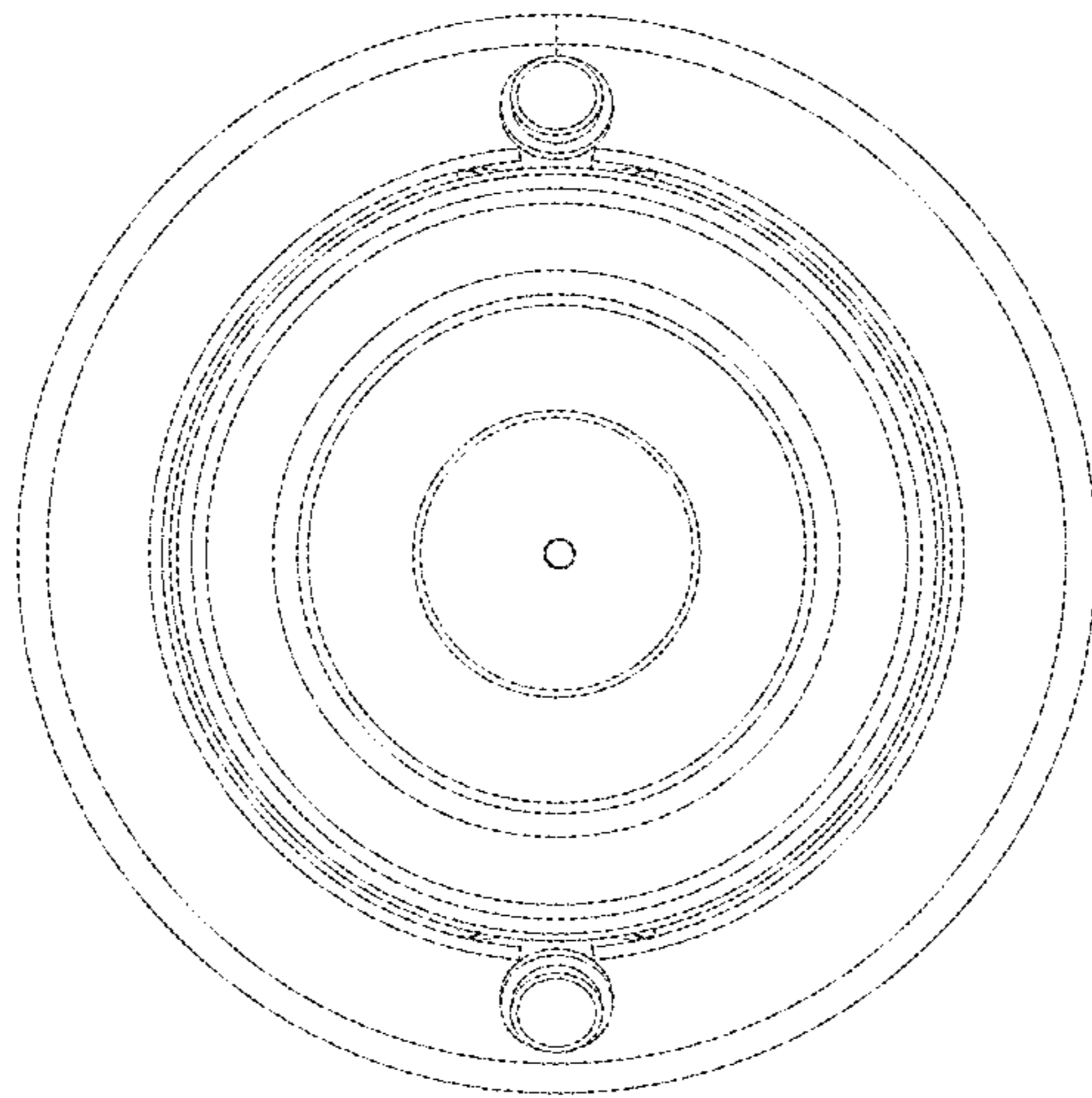


FIG. 6