



US00D784606S

(12) **United States Design Patent** (10) **Patent No.:** **US D784,606 S**  
**Rushforth et al.** (45) **Date of Patent:** **\*\* Apr. 18, 2017**

(54) **TOBACCO POUCHES** 3,989,853 A \* 11/1976 Forkner ..... B65B 63/00  
206/524.8  
(71) Applicant: **British American Tobacco** D298,880 S 12/1988 Graves et al.  
**(Investments) Limited**, London (GB) D365,981 S \* 1/1996 Sullivan ..... D9/707  
5,934,809 A 8/1999 Marbler  
(72) Inventors: **David Rushforth**, London (GB); **Eva** D451,795 S 12/2001 Ghatlia et al.  
**Sommarstrom**, London (GB); **Paul** D489,606 S 5/2004 Lofman  
**Wormald**, West Yorkshire (GB) D592,074 S \* 5/2009 Johnson ..... D9/707  
D624,437 S \* 9/2010 Leclezio ..... D9/721  
D643,745 S 8/2011 Hartley  
(73) Assignee: **British American Tobacco** D643,972 S \* 8/2011 Krohn ..... D27/193  
**(Investments) Limited**, London (GB) D665,270 S \* 8/2012 Leclezio ..... D9/707  
(Continued)

(\*\*) Term: **14 Years** *Primary Examiner* — Robin V Webster  
*Assistant Examiner* — Rachel Voorhies  
(21) Appl. No.: **29/522,019** (74) *Attorney, Agent, or Firm* — McKee, Voorhees &  
(22) Filed: **Mar. 26, 2015** Sease, PLC

**Related U.S. Application Data**

(63) Continuation-in-part of application No. 29/444,332,  
filed on Jan. 29, 2013, now Pat. No. Des. 732,732.

**Foreign Application Priority Data**

Jul. 30, 2012 (EM) ..... 002081398

(51) **LOC (10) Cl.** ..... **27-01**

(52) **U.S. Cl.**  
USPC ..... **D27/100**

(58) **Field of Classification Search**

USPC ..... D27/101–105, 108, 125–127, 163, 164,  
D27/170, 172, 174, 183, 185, 186, 189,  
D27/190; D1/102, 105, 122, 127–129,  
D1/199; D9/417, 503, 529, 558,  
D9/707–710; 383/102, 103, 107;  
131/111, 274, 275, 352; 206/210, 242  
CPC ..... A24B 13/00  
See application file for complete search history.

**References Cited**

**U.S. PATENT DOCUMENTS**

713,795 A \* 11/1902 Perky ..... A23L 7/13  
426/560  
D48,432 S \* 1/1916 Bagnulo ..... D9/622

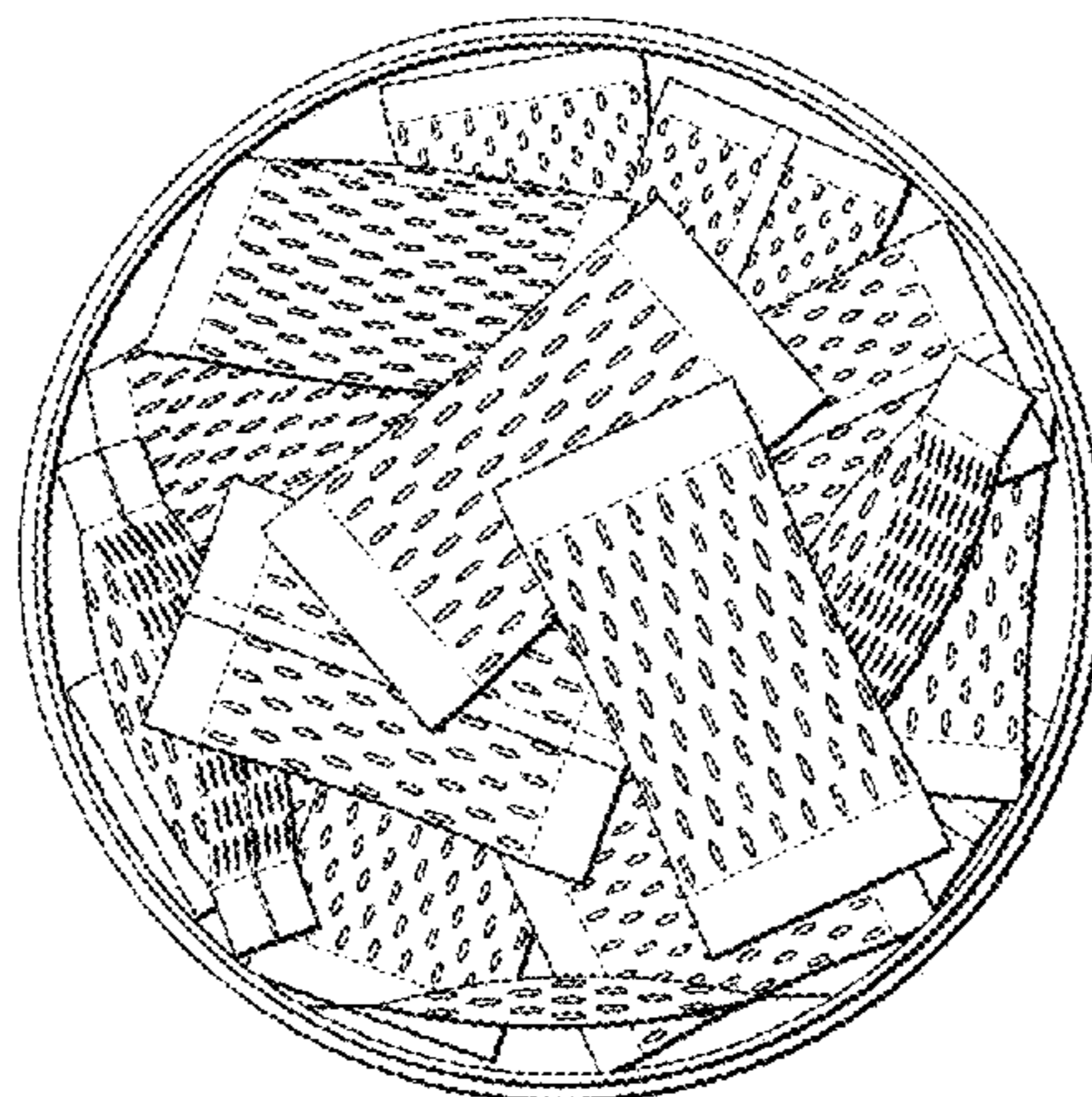
(57) **CLAIM**

The ornamental design for tobacco pouches, as shown and described.

**DESCRIPTION**

FIG. 1 is a top view of an arrangement of a first embodiment of the disclosed tobacco pouches, in a container;  
FIG. 2 is a top perspective view thereof;  
FIG. 3 is a top view of an arrangement of a second embodiment thereof, in a container;  
FIG. 4 is a top perspective view thereof;  
FIG. 5 is a top view of an arrangement of a third embodiment of the disclosed tobacco pouches, in a container and including surface texture;  
FIG. 6 is a top perspective view thereof;  
FIG. 7 is a top view of an arrangement of a fourth embodiment thereof, in a container; and,  
FIG. 8 is a top perspective view thereof.

**1 Claim, 4 Drawing Sheets**



(56)

References Cited

U.S. PATENT DOCUMENTS

|              |      |         |                   |                        |
|--------------|------|---------|-------------------|------------------------|
| D683,497     | S *  | 5/2013  | Ghiotti .....     | D27/186                |
| D683,498     | S *  | 5/2013  | Ghiotti .....     | D27/186                |
| D690,608     | S *  | 10/2013 | Neias .....       | D9/707                 |
| D693,961     | S    | 11/2013 | Fish              |                        |
| 8,747,562    | B2   | 6/2014  | Mishra et al.     |                        |
| D713,598     | S *  | 9/2014  | Ghiotti .....     | D27/186                |
| D732,732     | S *  | 6/2015  | Rushforth .....   | D27/100                |
| D735,054     | S *  | 7/2015  | Nelaas .....      | D9/707                 |
| D738,745     | S *  | 9/2015  | Neias .....       | D9/707                 |
| D753,871     | S *  | 4/2016  | Aspgren .....     | D27/100                |
| D756,560     | S *  | 5/2016  | Ghiotti .....     | D27/186                |
| D756,561     | S *  | 5/2016  | Ghiotti .....     | D27/186                |
| D756,562     | S *  | 5/2016  | Ghiotti .....     | D27/186                |
| 2004/0018293 | A1   | 1/2004  | Popplewell et al. |                        |
| 2011/0303232 | A1   | 12/2011 | Williams          |                        |
| 2012/0073589 | A1   | 3/2012  | Kawata et al.     |                        |
| 2012/0073590 | A1   | 3/2012  | Kawata et al.     |                        |
| 2012/0085360 | A1   | 4/2012  | Kawata et al.     |                        |
| 2014/0026912 | A1   | 1/2014  | Rushforth et al.  |                        |
| 2014/0069829 | A1 * | 3/2014  | Evans .....       | A24F 23/02<br>206/265  |
| 2015/0122675 | A1 * | 5/2015  | Aspgren .....     | A24F 23/00<br>206/236  |
| 2016/0073679 | A1 * | 3/2016  | Rushforth .....   | B65D 51/28<br>131/310  |
| 2016/0073680 | A1 * | 3/2016  | Rushforth .....   | A24B 15/282<br>131/300 |

\* cited by examiner

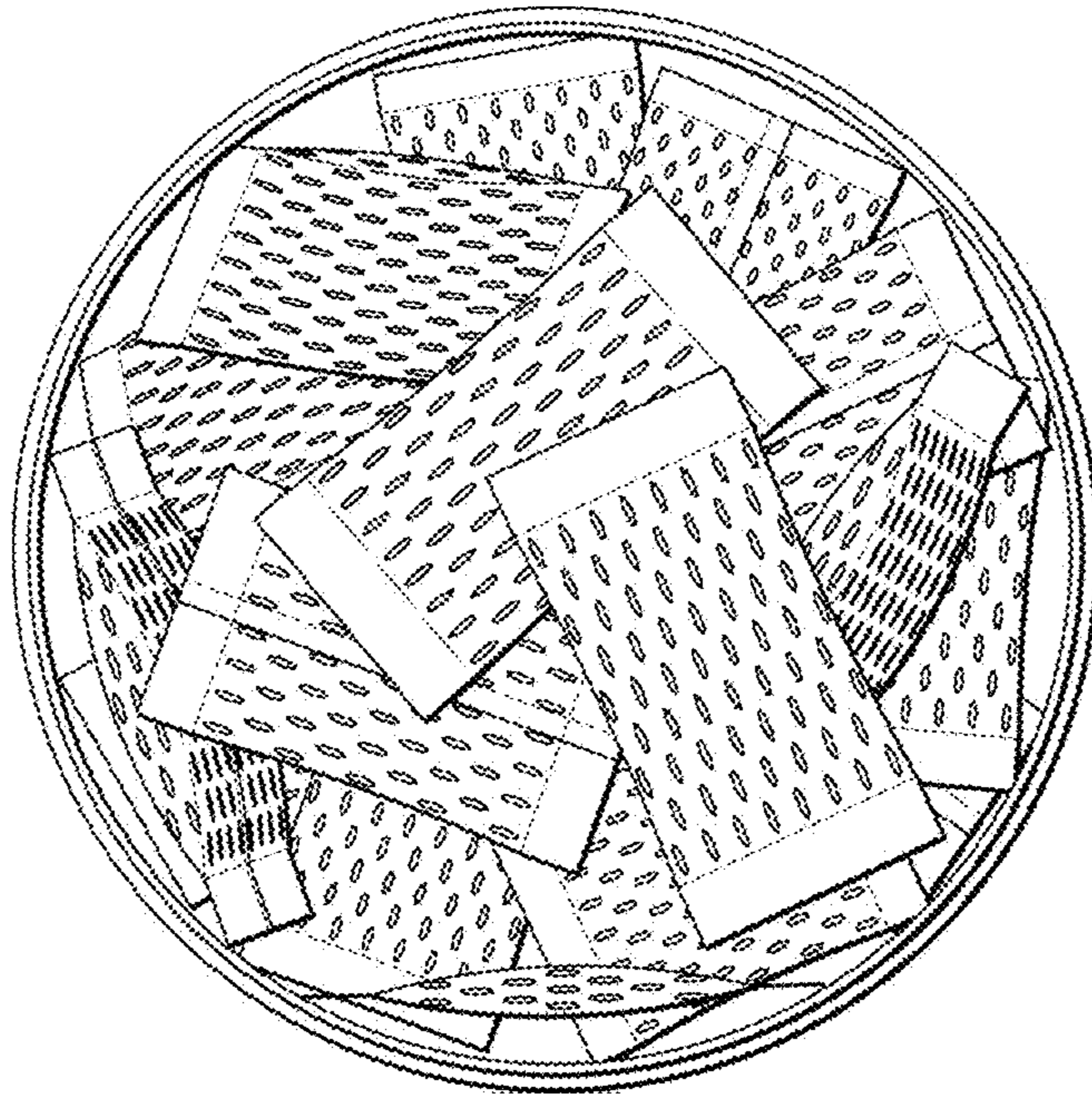


FIG. 1

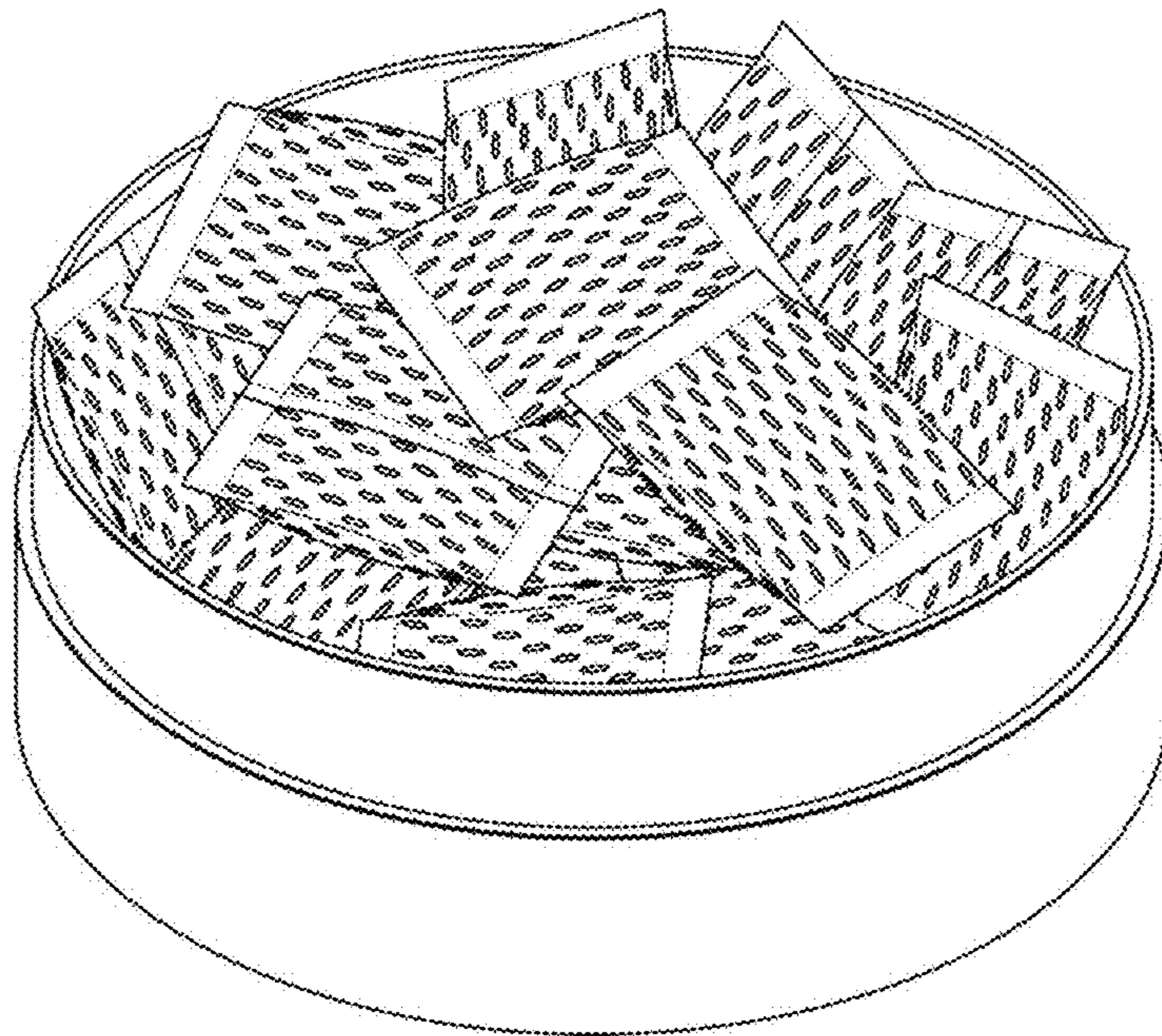


FIG. 2

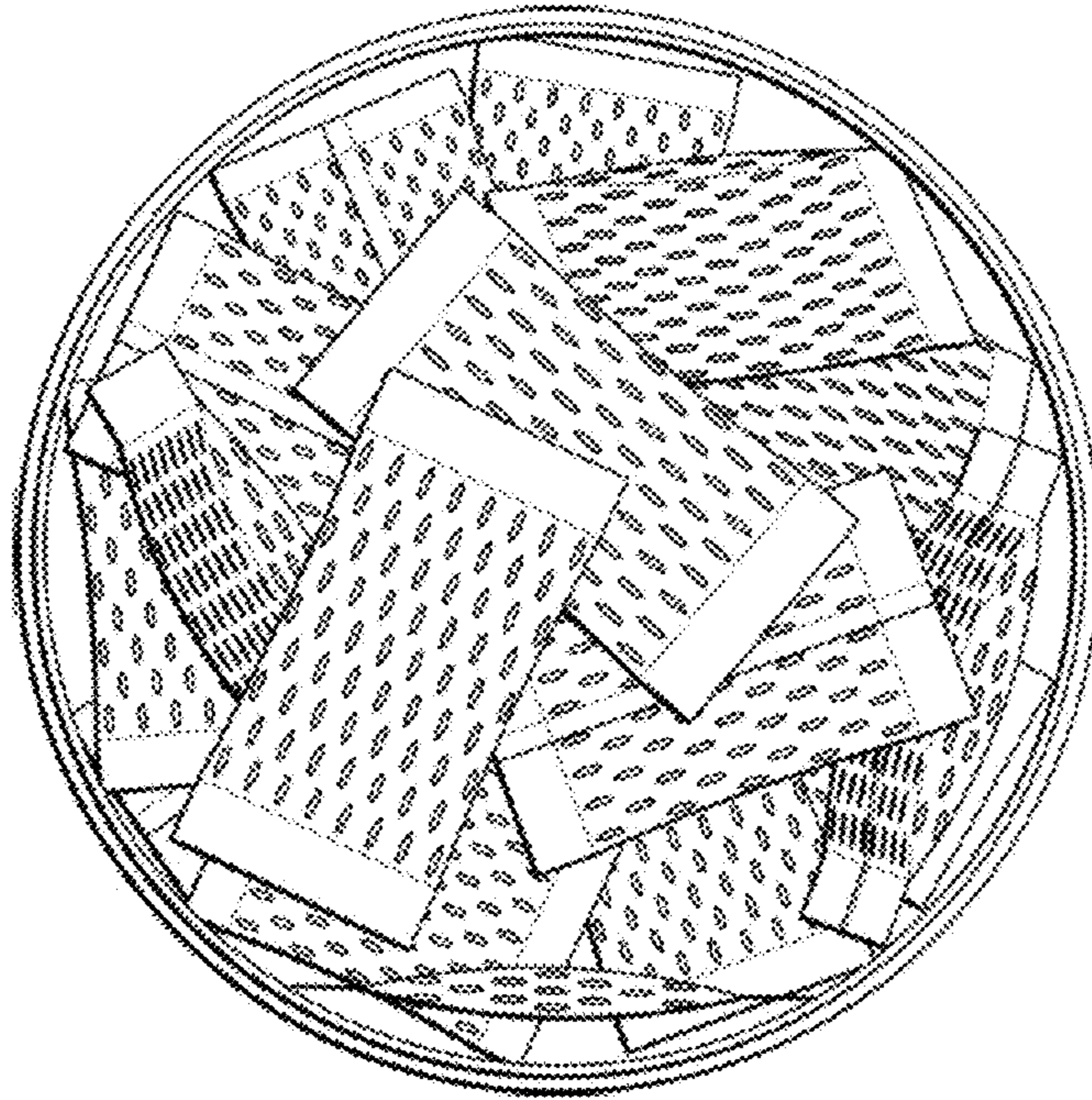


FIG. 3

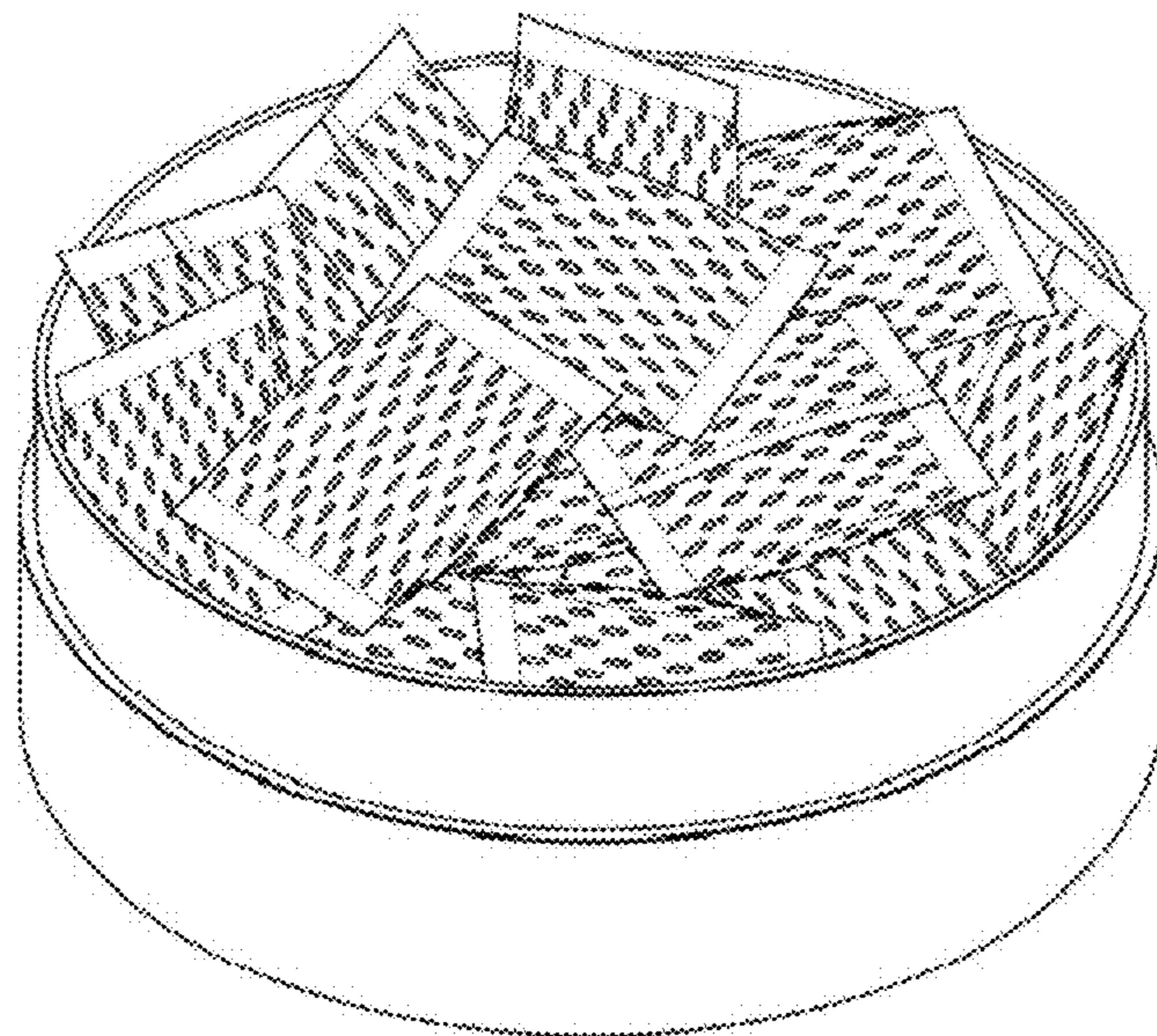


FIG. 4

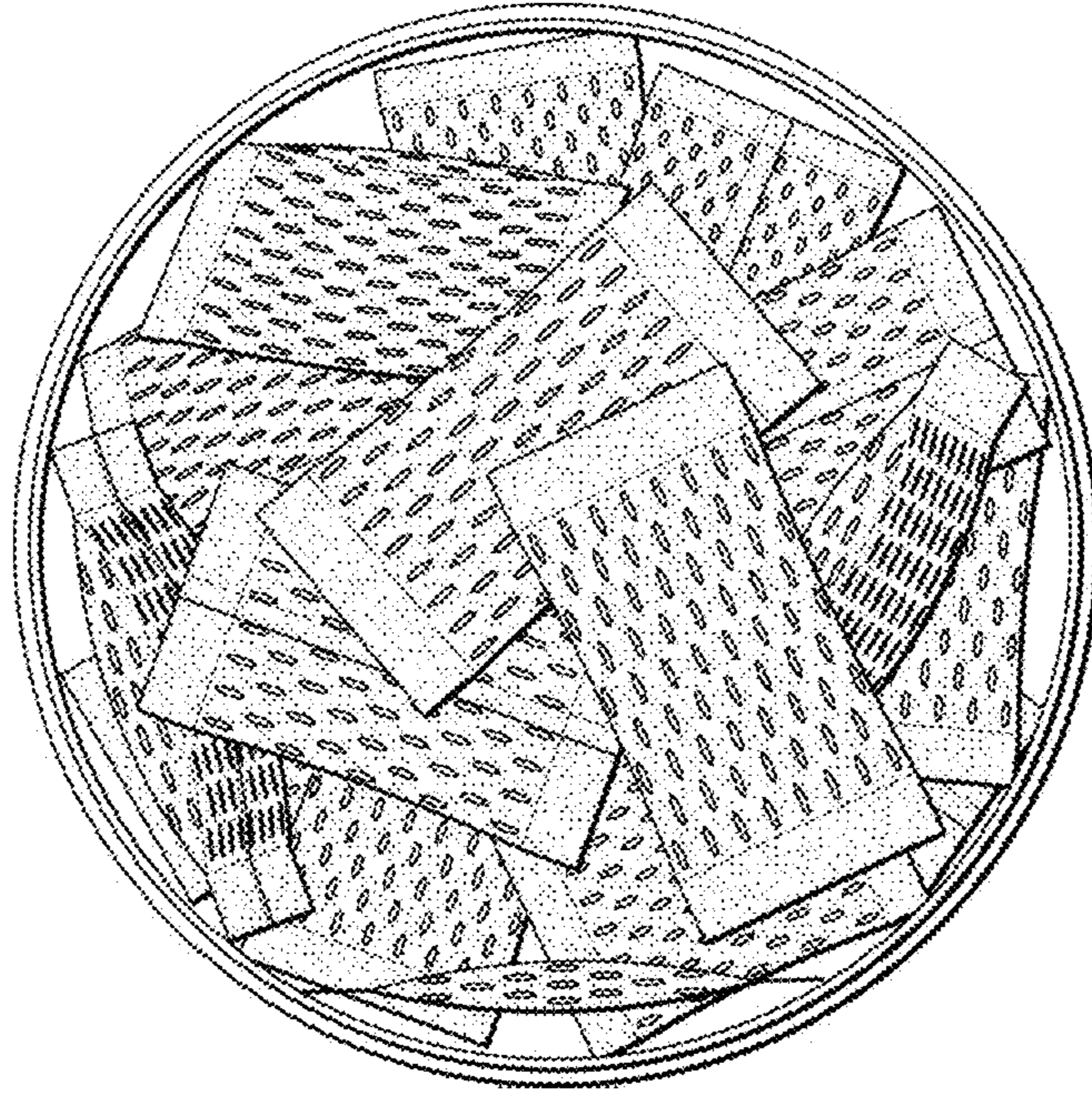


FIG. 5

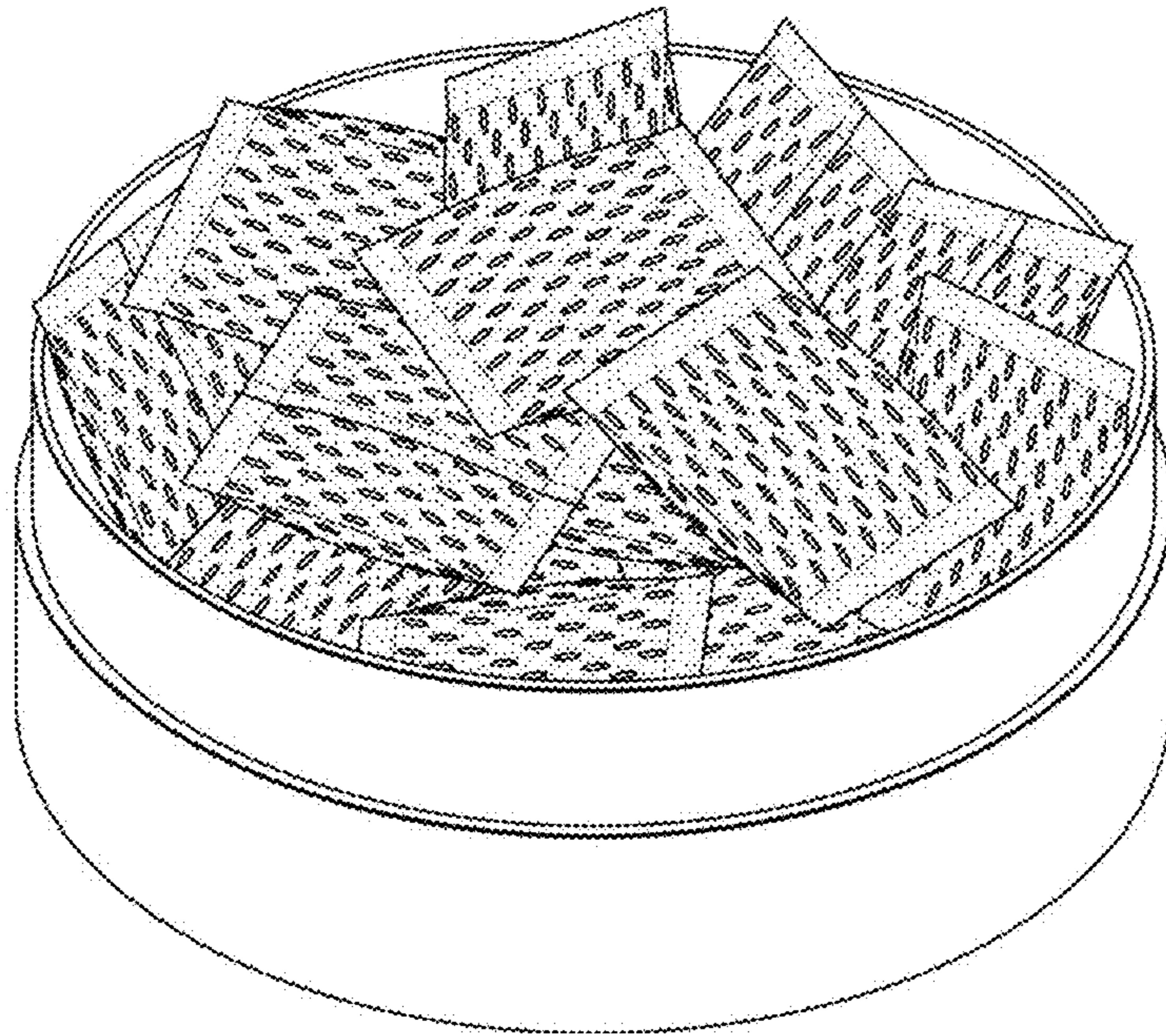


FIG. 6

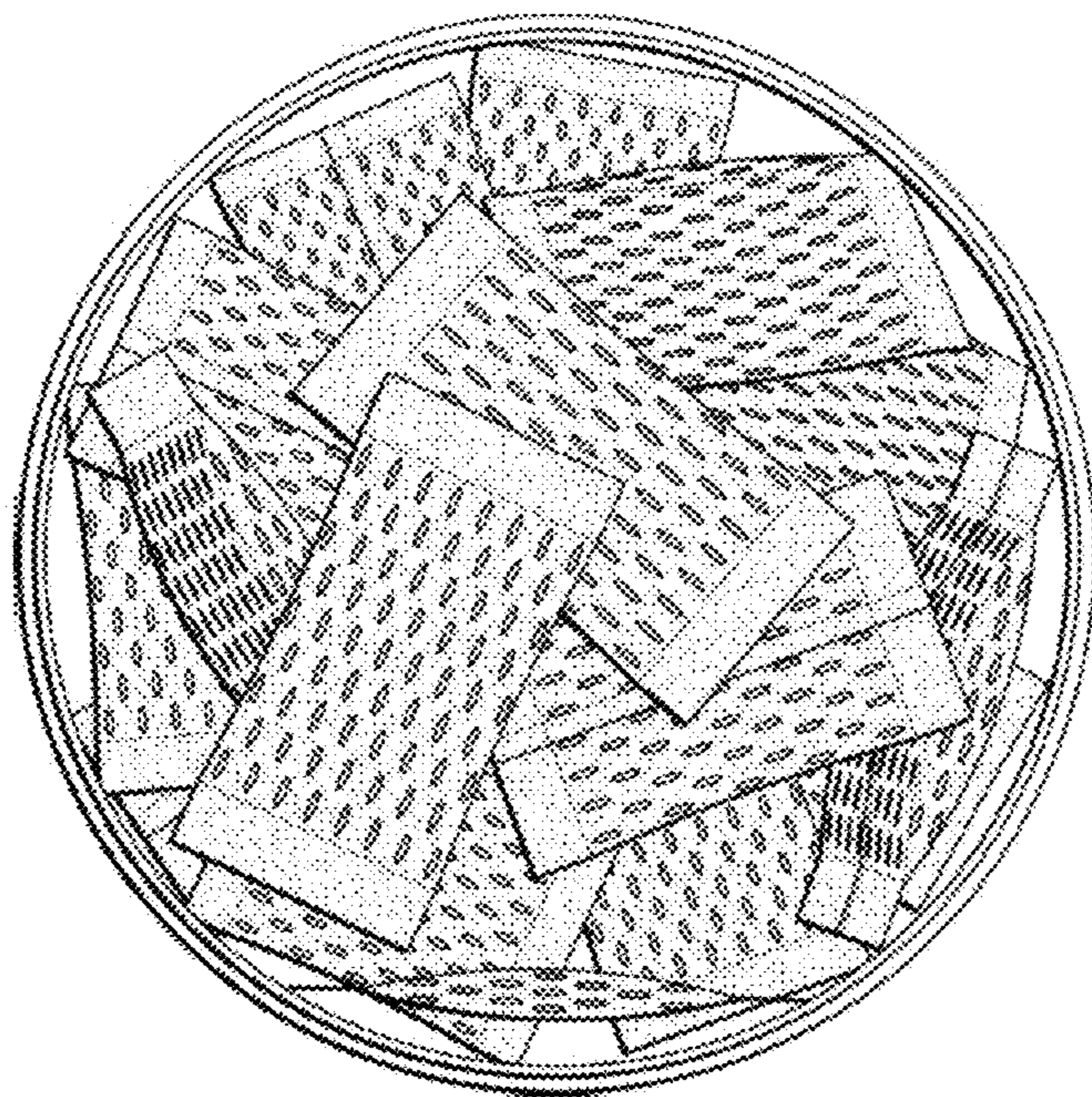


FIG. 7

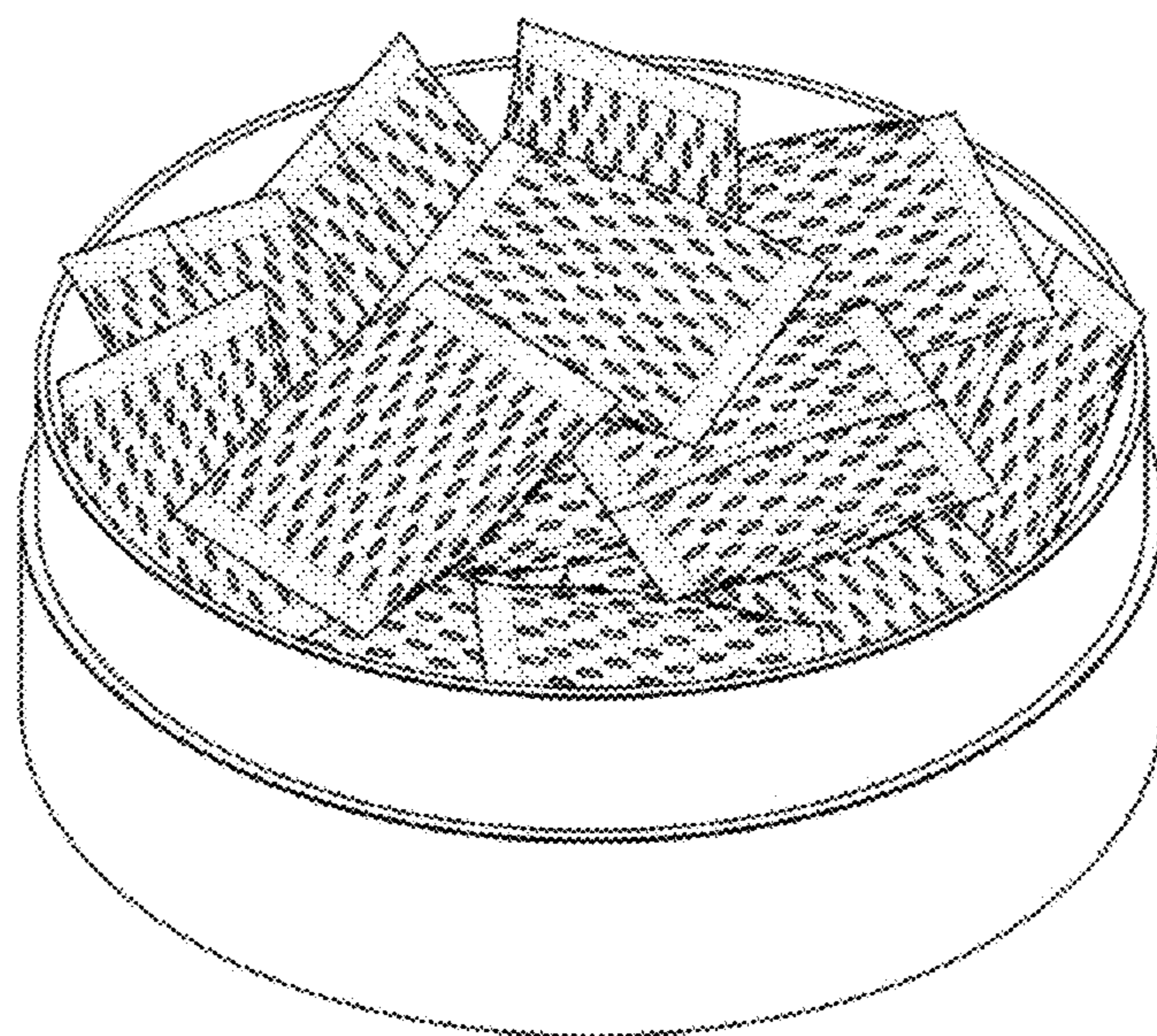


FIG. 8