



US00D784603S

(12) **United States Design Patent** (10) **Patent No.:** **US D784,603 S**
Sommarstrom et al. (45) **Date of Patent:** **** Apr. 18, 2017**

(54) **ORAL TOBACCO**

FOREIGN PATENT DOCUMENTS

(71) Applicant: **British American Tobacco (Investments) Limited**, London (GB)

WO 2005046363 A1 5/2005
WO 2009015142 A1 1/2009

(Continued)

(72) Inventors: **Eva Sommarstrom**, London (GB);
David Rushforth, London (GB)

OTHER PUBLICATIONS

(73) Assignee: **British American Tobacco (Investments) Limited**, London (GB)

United Kingdom Intellectual Property Office Search Report, dated Aug. 10, 2012, for GB1206402.8.

(**) Term: **14 Years**

Primary Examiner — Robin V Webster
Assistant Examiner — Rachel Voorhies

(21) Appl. No.: **29/522,013**

(74) *Attorney, Agent, or Firm* — McKee, Voorhees & Sease, PLC

(22) Filed: **Mar. 26, 2015**

(57) **CLAIM**

The ornamental design for oral tobacco, as shown and described.

Related U.S. Application Data

DESCRIPTION

(63) Continuation-in-part of application No. 29/434,323, filed on Oct. 11, 2012, now Pat. No. Des. 729,974.

The patent or application file contains at least one drawing executed in color. Copies of this patent application publication with color drawing(s) will be provided by the Office upon request and payment of the necessary fee.

(30) **Foreign Application Priority Data**

Apr. 11, 2012 (EM) 002024000

FIG. 1 is a front top perspective view of an arrangement of a first embodiment of the disclosed oral tobacco, in a container;

(51) **LOC (10) Cl.** **27-01**

FIG. 2 is a top view thereof;

(52) **U.S. Cl.**
USPC **D27/100**

FIG. 3 is a front top perspective view an arrangement of a second embodiment thereof, in a container;

(58) **Field of Classification Search**
USPC D27/101–105, 108, 125–127, 163, 164,
D27/170, 172, 174, 183, 185, 186, 189,
(Continued)

FIG. 4 is a top view thereof;

FIG. 5 is a front top perspective view of an arrangement of a third embodiment of the disclosed oral tobacco, including color and in a container;

(56) **References Cited**

U.S. PATENT DOCUMENTS

D24,688 S * 9/1895 Perky D1/199
713,795 A * 11/1902 Perky A23L 7/13
426/560

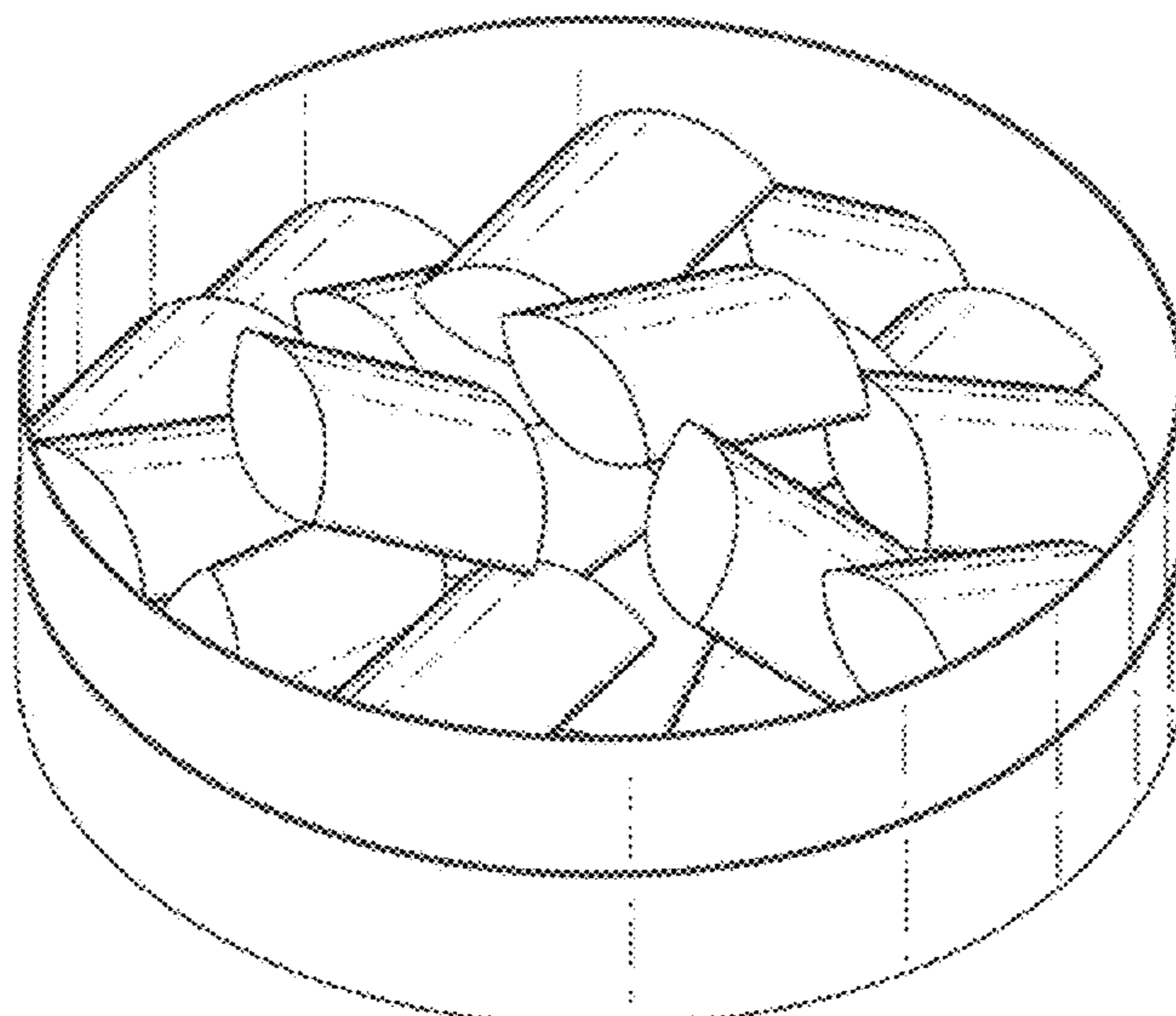
FIG. 6 is a top view thereof;

FIG. 7 is a front top perspective view of an arrangement of a fourth embodiment thereof, in a container; and,

FIG. 8 is a top view thereof.

(Continued)

1 Claim, 4 Drawing Sheets
(2 of 4 Drawing Sheet(s) Filed in Color)



US D784,603 S

(58) **Field of Classification Search**

USPC D27/190; D1/102, 105, 122, 127–129,
 D1/199; D9/417, 503, 529, 558,
 D9/707–710; 383/102, 103, 107;
 131/111, 274, 275, 352; 206/210, 242
 CPC A24B 13/00
 See application file for complete search history.

D420,238 S 2/2000 Jefferson et al.
 6,020,010 A 2/2000 Nulph
 D423,141 S 4/2000 Binstock et al.
 D444,612 S * 7/2001 Borland D1/111
 D451,795 S 12/2001 Ghatlia et al.
 D482,923 S 12/2003 Gaines
 D489,606 S 5/2004 Lofman
 D523,494 S 6/2006 Van Straaten
 7,090,398 B2 8/2006 Shibata
 D607,180 S 1/2010 Slusarczyk et al.
 D607,181 S 1/2010 Slusarczyk et al.
 7,789,805 B2 9/2010 Lim
 8,033,425 B2 * 10/2011 Gelardi B65D 83/0409
 221/154

(56) **References Cited**

U.S. PATENT DOCUMENTS

D38,206 S 8/1906 Allen
 1,096,909 A 5/1914 Harvey
 D48,001 S * 10/1915 Kellogg D1/199
 1,234,279 A 7/1917 Buchanan
 1,376,586 A * 5/1921 Schwartz A24B 13/00
 131/366
 1,468,268 A 9/1923 Karr
 2,065,550 A * 12/1936 Baxter A23G 9/506
 426/302
 2,635,273 A * 4/1953 Logan A47K 7/03
 401/201
 2,964,227 A 12/1960 Goldsholl
 3,541,752 A 11/1970 Ness
 D232,601 S * 9/1974 Rich D1/199
 D234,883 S * 4/1975 Rich D1/199
 3,990,872 A 11/1976 Cullen
 4,006,604 A 2/1977 Seff
 D282,407 S 2/1986 Braun et al.
 D323,234 S * 1/1992 Duffy D1/125
 D323,235 S * 1/1992 Duffy D1/125
 5,121,515 A 6/1992 Hudson
 5,176,936 A 1/1993 Creighton et al.
 D334,274 S 3/1993 Creighton et al.
 D335,997 S 6/1993 Castronovo
 5,396,903 A 3/1995 Pruitt
 D372,158 S 7/1996 Bonaddio et al.
 D376,502 S 12/1996 Bonaddio et al.
 D379,708 S * 6/1997 Borek D1/125
 5,651,642 A * 7/1997 Kelley, Jr. E02D 29/025
 405/284
 D388,649 S 1/1998 Chekuri
 5,902,046 A 5/1999 Shibata
 D410,851 S * 6/1999 Grabher D1/122
 5,953,777 A 9/1999 Buck
 5,984,087 A 11/1999 Hacikyan

D665,270 S 8/2012 Leclezio
 D670,067 S * 11/2012 Yamada D1/128
 D674,538 S * 1/2013 Macko D27/100
 8,656,537 B2 2/2014 Leifermann et al.
 8,863,755 B2 10/2014 Zhuang et al.
 D729,974 S * 5/2015 Sommarstrom D27/100
 2004/0139550 A1 7/2004 Calagui
 2005/0076442 A1 4/2005 Wassilefky
 2006/0191548 A1 * 8/2006 Strickland A24B 3/14
 131/347
 2007/0220676 A1 9/2007 Lamstein et al.
 2008/0029110 A1 2/2008 Dube et al.
 2010/0170522 A1 7/2010 Sun et al.
 2012/0024301 A1 * 2/2012 Carroll A24B 15/18
 131/275
 2012/0073590 A1 3/2012 Kawata et al.
 2012/0167902 A1 * 7/2012 Macko A24B 13/00
 131/112
 2013/0263377 A1 10/2013 Wootten, Jr.
 2013/0269715 A1 * 10/2013 Rushforth A24B 13/00
 131/111
 2014/0261504 A1 * 9/2014 Griscik A24B 13/00
 131/352
 2014/0314344 A1 10/2014 Kreymborg
 2015/0296868 A1 * 10/2015 Sutton A24B 13/00
 131/290

FOREIGN PATENT DOCUMENTS

WO 2011081725 A1 7/2011
 WO 2011130414 A1 10/2011

* cited by examiner

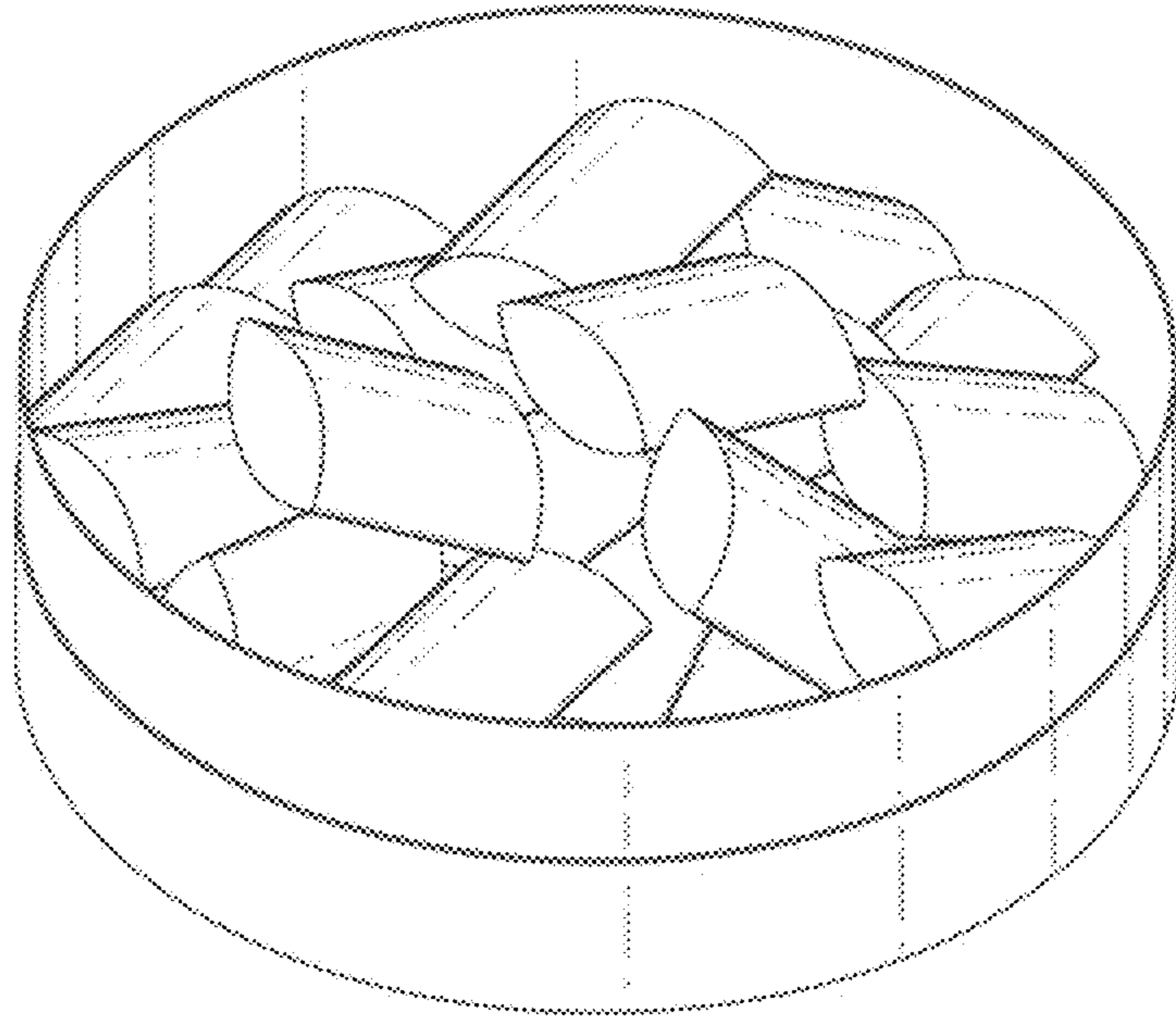


FIG. 1

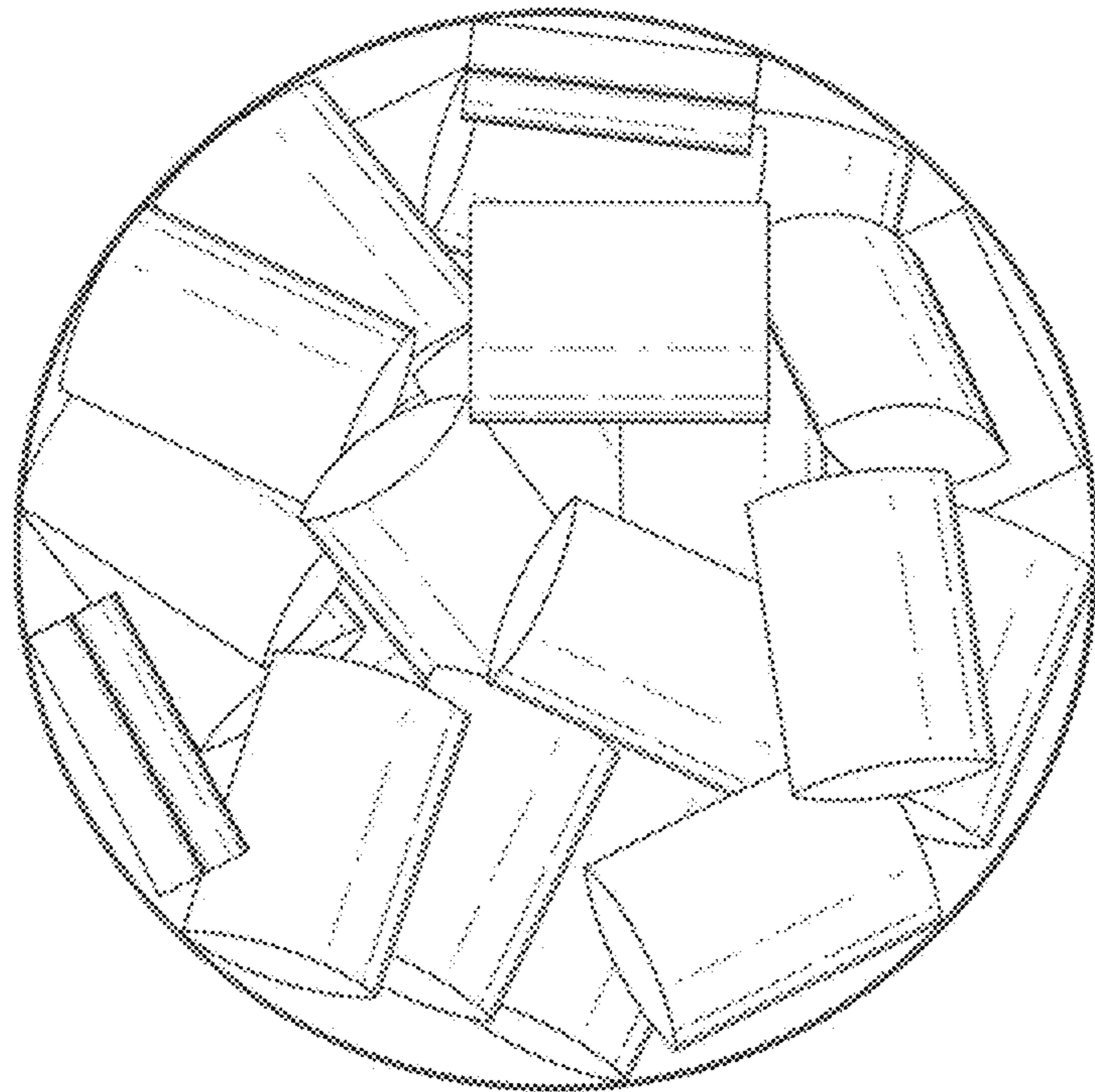


FIG. 2

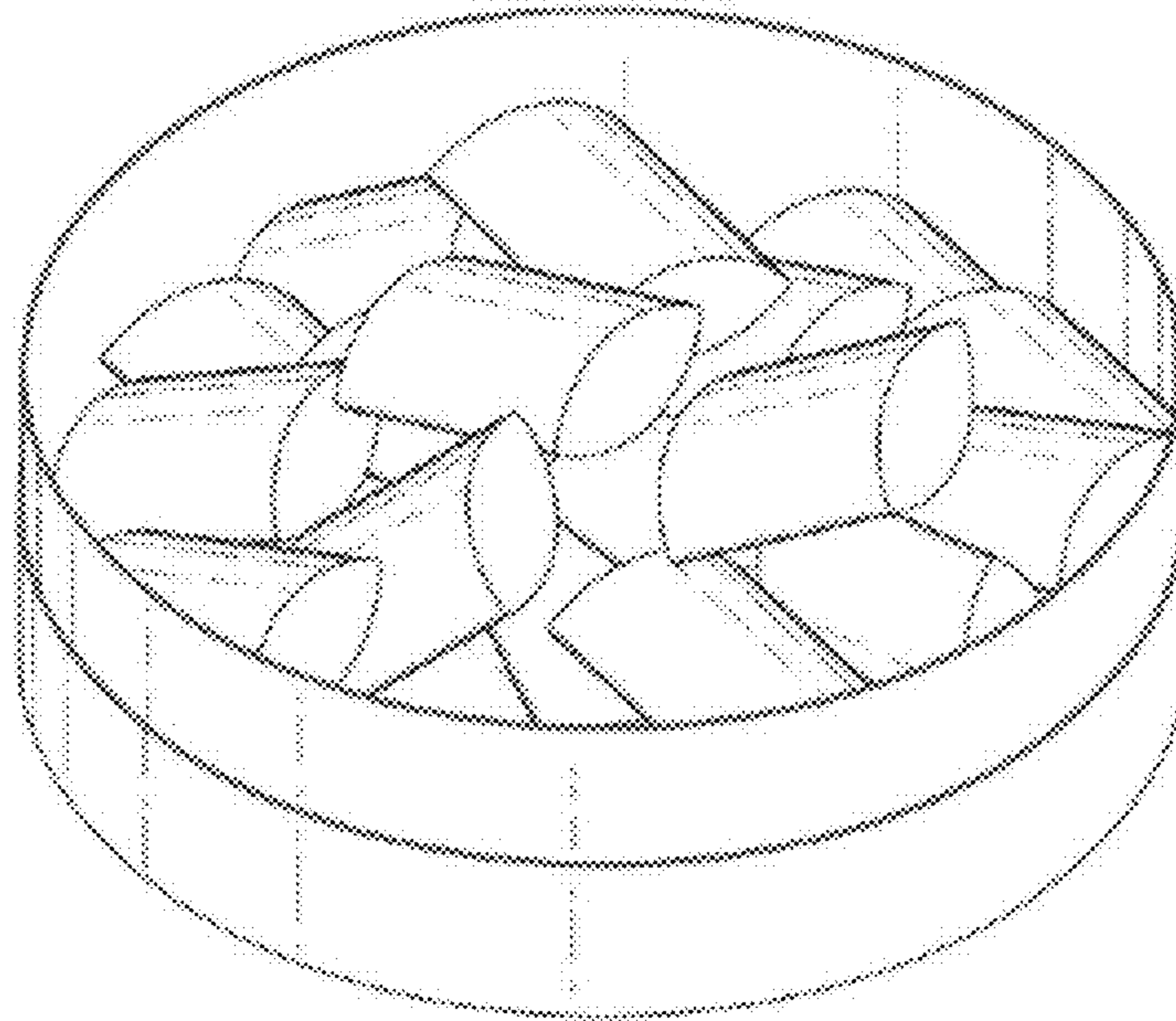


FIG. 3

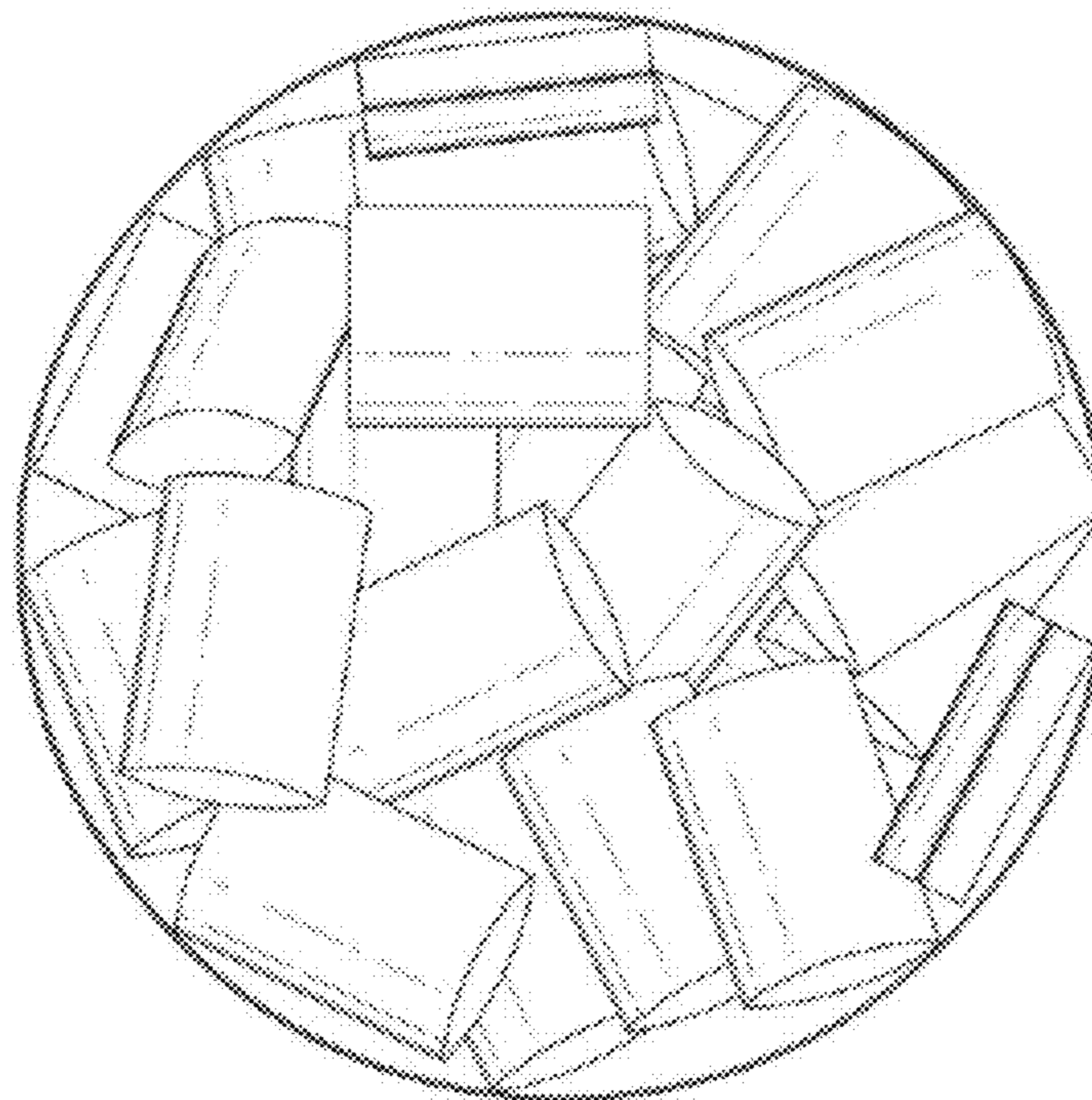


FIG. 4

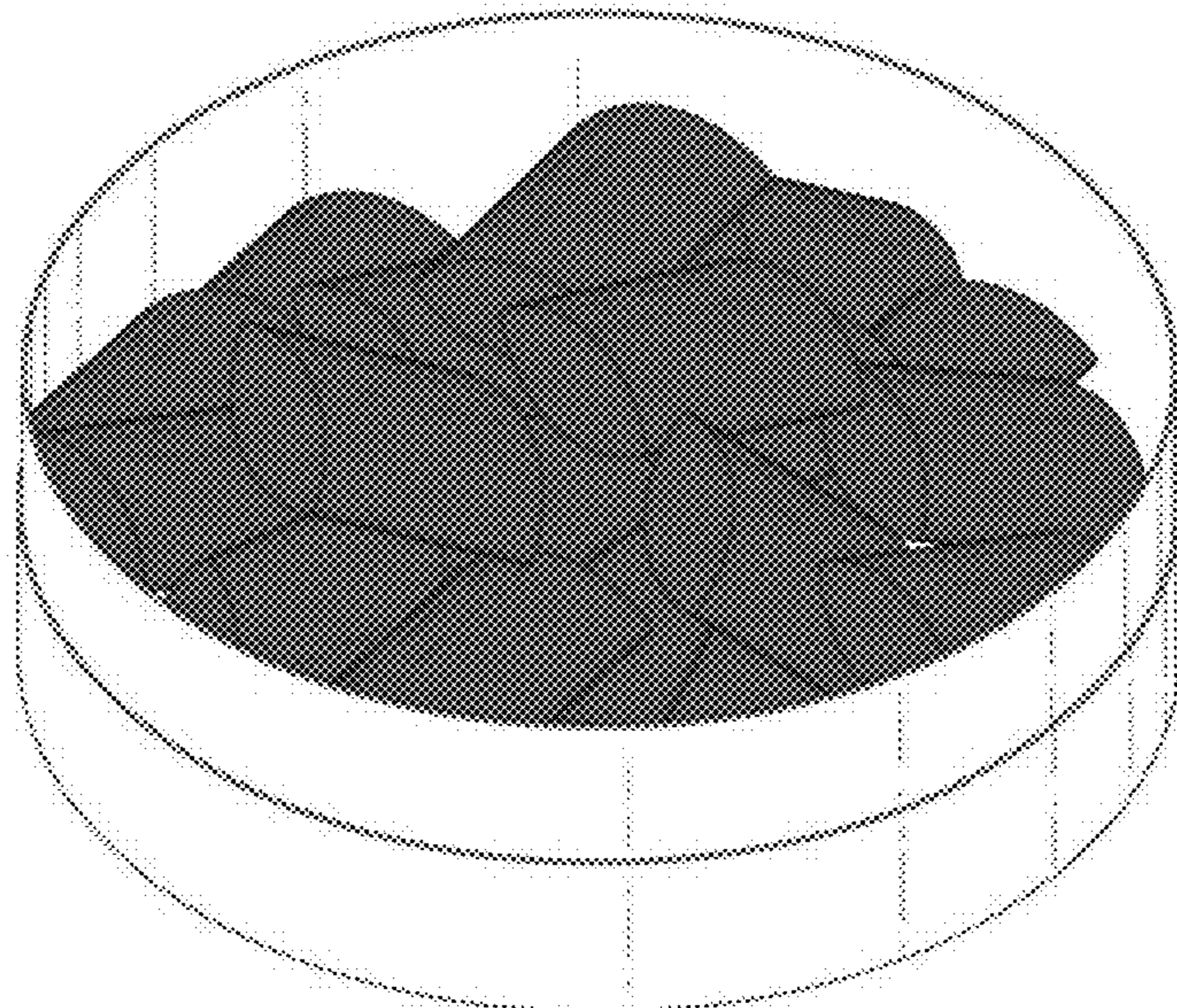


FIG. 5

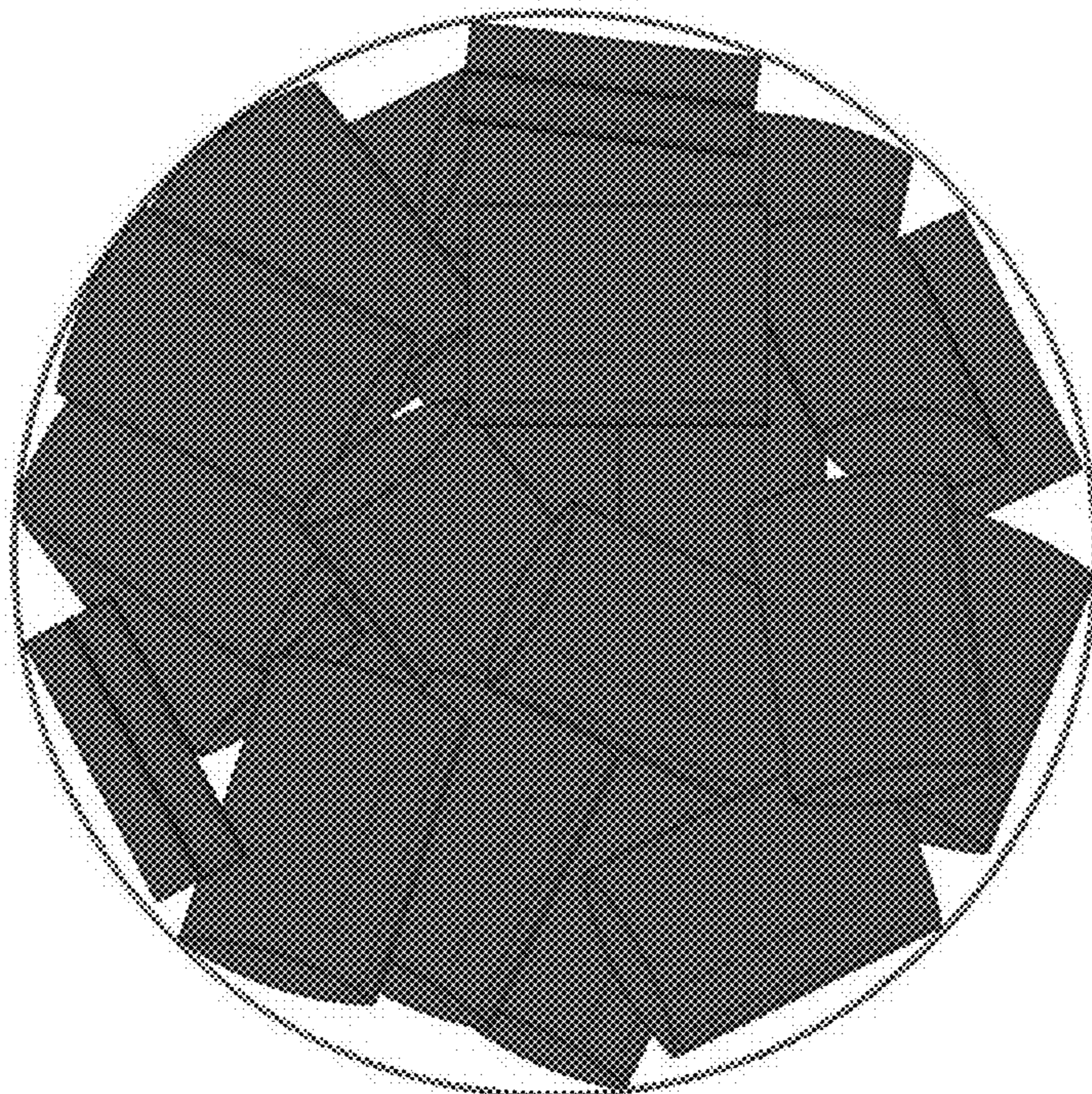


FIG. 6

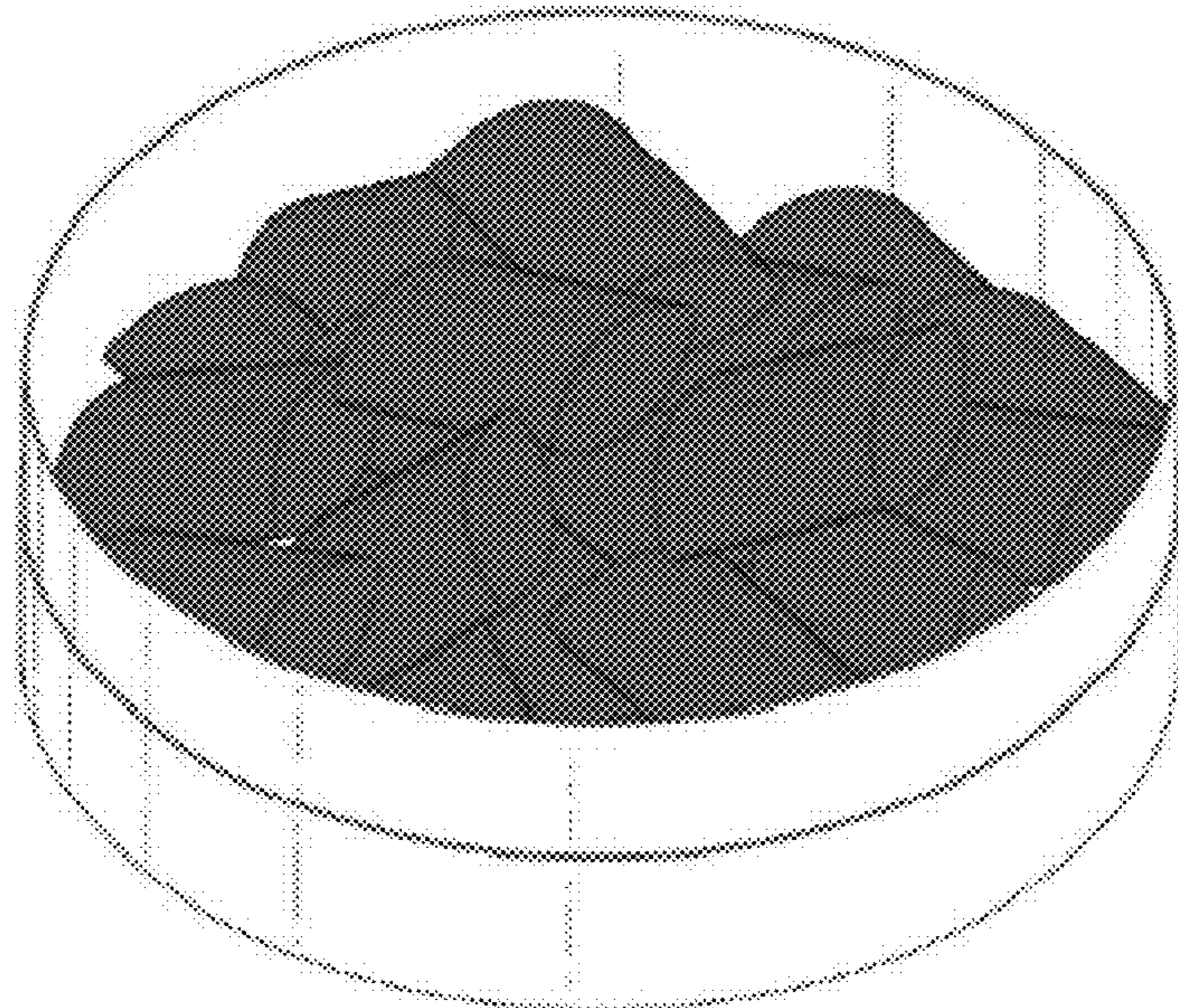


FIG. 7

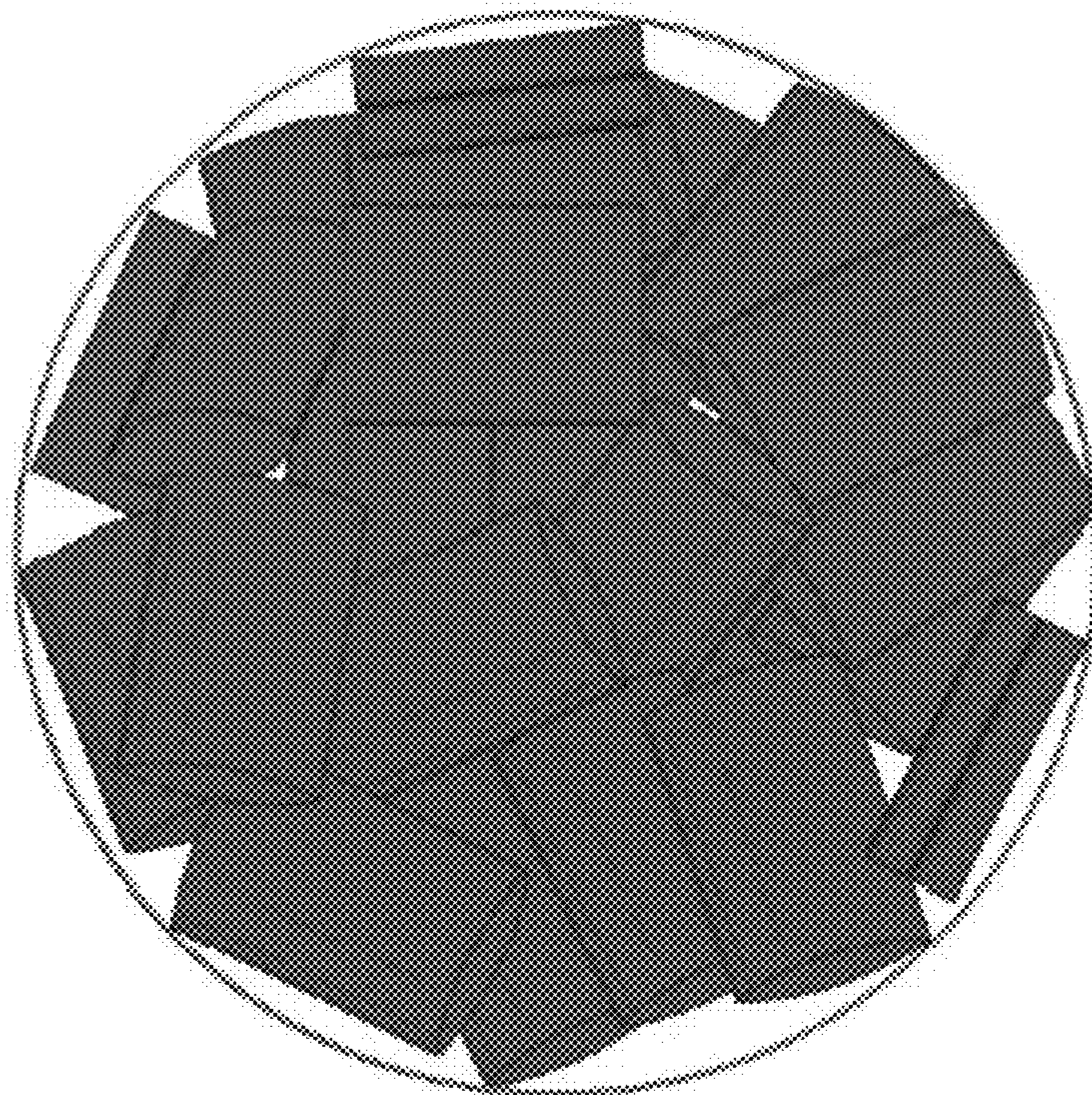


FIG. 8