



US00D784601S

(12) **United States Design Patent** (10) **Patent No.:** **US D784,601 S**
Yang (45) **Date of Patent:** **** Apr. 18, 2017**

(54) **LIGHTING ARRANGEMENT**
(71) Applicant: **Kuzco Lighting**, Surrey (CA)
(72) Inventor: **Shaokun Yang**, Surrey (CA)

5,036,166 A 7/1991 Monopoli
D328,908 S 8/1992 Kalbach
D329,309 S 9/1992 Washington
(Continued)

(**) Term: **15 Years**

CA 2422087 A1 12/2002
CA 2586494 7/2010
(Continued)

(21) Appl. No.: **29/547,656**

FOREIGN PATENT DOCUMENTS

(22) Filed: **Dec. 7, 2015**

(51) **LOC (10) Cl.** **26-99**

(52) **U.S. Cl.**
USPC **D26/138**

(58) **Field of Classification Search**
USPC . D26/76, 78, 79, 80, 81, 82, 83, 85, 88, 90,
D26/93, 110, 118, 119, 120, 121, 122,
D26/138, 140-142
CPC F21S 4/00; F21S 4/003; F21S 4/006; F21S
4/007; F21S 4/008; F21S 6/004; F21S
6/005; F21K 9/54; F21V 15/01; F21V
15/013

See application file for complete search history.

OTHER PUBLICATIONS

USPTO; Office Action to Design U.S. Appl. No. 29/523,131; Issued
Oct. 5, 2016, 28 pgs.
(Continued)

Primary Examiner — George D Kirschbaum
Assistant Examiner — Natasha Vujcic

(57) **CLAIM**

I claim the ornamental design for a lighting arrangement, as
shown and described.

DESCRIPTION

FIG. 1 is a perspective view of the lighting arrangement;
FIG. 2 is a front view of the lighting arrangement;
FIG. 3 is a rear view of the lighting arrangement;
FIG. 4 is a bottom view of the lighting arrangement;
FIG. 5 is a top view of the lighting arrangement;
FIG. 6 is a right-side view of the lighting arrangement;
FIG. 7 is a left-side view of the lighting arrangement; and,
FIG. 8 is a perspective view of the lighting arrangement
showing the design in a position of use.

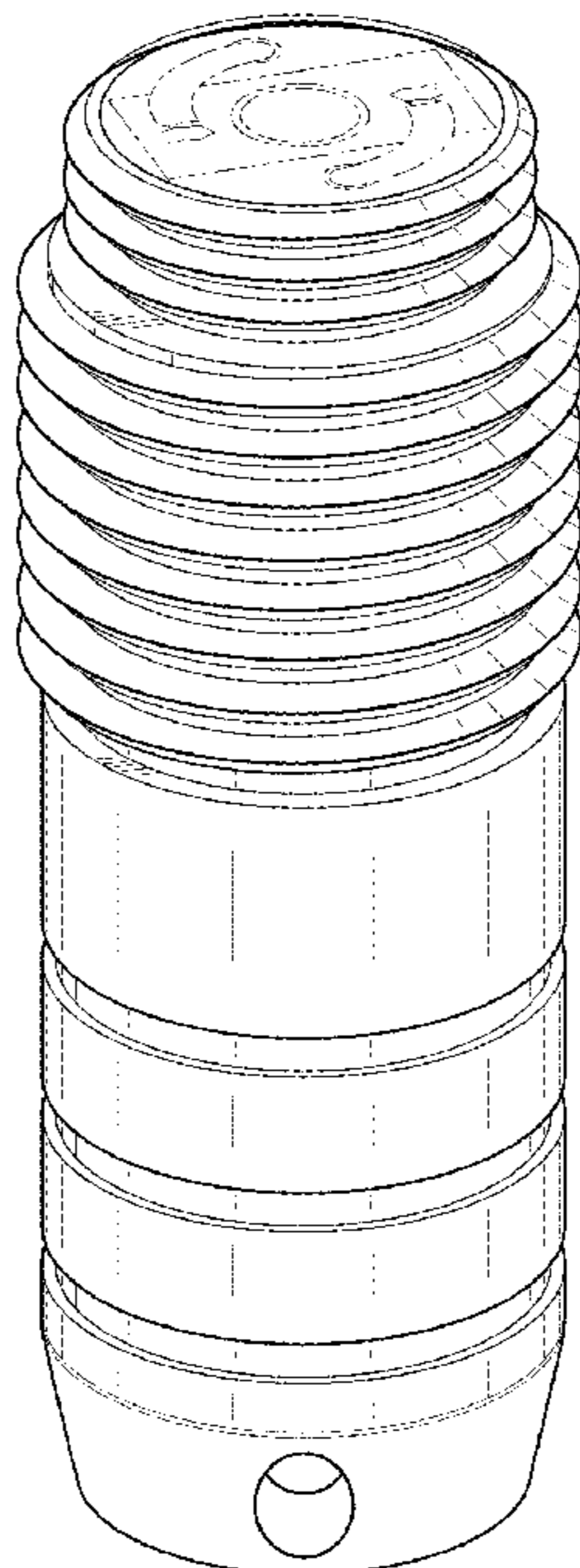
The broken lines in the drawings illustrate portions of the
lighting arrangement and its environment which forms no
part of the claimed design.

1 Claim, 4 Drawing Sheets

(56) **References Cited**

U.S. PATENT DOCUMENTS

734,167 A 7/1903 Gaisman
1,509,559 A 9/1924 Jennings
D91,174 S 8/1933 Mascuch
2,516,661 A 7/1950 Versen
3,506,232 A 4/1970 Wolar et al.
3,561,652 A 2/1971 Ruter
3,799,429 A 3/1974 Henry
4,735,035 A 4/1988 Mattioli
4,973,370 A 11/1990 Kreinberg
5,018,969 A 5/1991 Andreiko et al.



(56)

References Cited

U.S. PATENT DOCUMENTS

5,722,758 A 3/1998 Huang
 5,802,828 A 9/1998 Adorno
 5,931,076 A 8/1999 Ryan
 D418,811 S * 1/2000 Bunyea D13/119
 D422,745 S * 4/2000 Losole, III D26/138
 D427,668 S * 7/2000 Stout, Jr. D23/262
 D452,343 S * 12/2001 Pan D26/138
 7,086,767 B2 8/2006 Sidwell et al.
 7,153,167 B1 12/2006 Switzer
 7,234,842 B2 6/2007 Frederico
 7,240,599 B2 7/2007 Nolan
 7,311,425 B2 12/2007 Jervy, III
 D570,036 S * 5/2008 Conroy D26/138
 D599,053 S * 8/2009 Scott D26/138
 7,591,675 B2 9/2009 Ratican
 7,628,504 B2 12/2009 Glickman
 7,652,211 B2 1/2010 Globus et al.
 7,666,036 B1 2/2010 Zou
 D612,979 S * 3/2010 Holsinger D26/138
 7,976,211 B2 7/2011 Cao
 D647,862 S 11/2011 Sieff
 8,118,449 B2 2/2012 Pawelko et al.
 D658,328 S * 4/2012 Baldwin D26/138
 8,376,777 B2 2/2013 Smith
 D679,253 S 4/2013 Lin
 8,410,699 B2 4/2013 Yu
 D710,536 S * 8/2014 Mollaghaffari D26/138
 D713,943 S * 9/2014 Luke D23/262
 D713,944 S * 9/2014 Luke D23/262
 9,068,725 B1 6/2015 Kuykendall et al.
 2002/0182917 A1 12/2002 Kerr
 2006/0274536 A1 12/2006 Hagen
 2007/0127234 A1 6/2007 Jervy
 2008/0278958 A1 11/2008 Jiang
 2009/0241854 A1 10/2009 Hurwitz
 2010/0296300 A1 11/2010 Chiu

2011/0242814 A1 10/2011 Markle et al.
 2012/0206921 A1 8/2012 Chang et al.
 2012/0272816 A1 11/2012 Ueda et al.
 2013/0033872 A1 2/2013 Randolph et al.
 2013/0107516 A1 5/2013 Chou
 2013/0153731 A1 6/2013 Engstrom et al.
 2013/0333943 A1 12/2013 Tanaka et al.
 2014/0036517 A1 2/2014 Machiorlette
 2014/0071687 A1 3/2014 Tickner et al.
 2014/0092606 A1 4/2014 Potucek et al.
 2014/0268768 A1 9/2014 Holland et al.
 2015/0129297 A1 5/2015 Hanazaki
 2016/0155533 A1 6/2016 Omoto
 2016/0245432 A1 8/2016 Fonfara et al.

FOREIGN PATENT DOCUMENTS

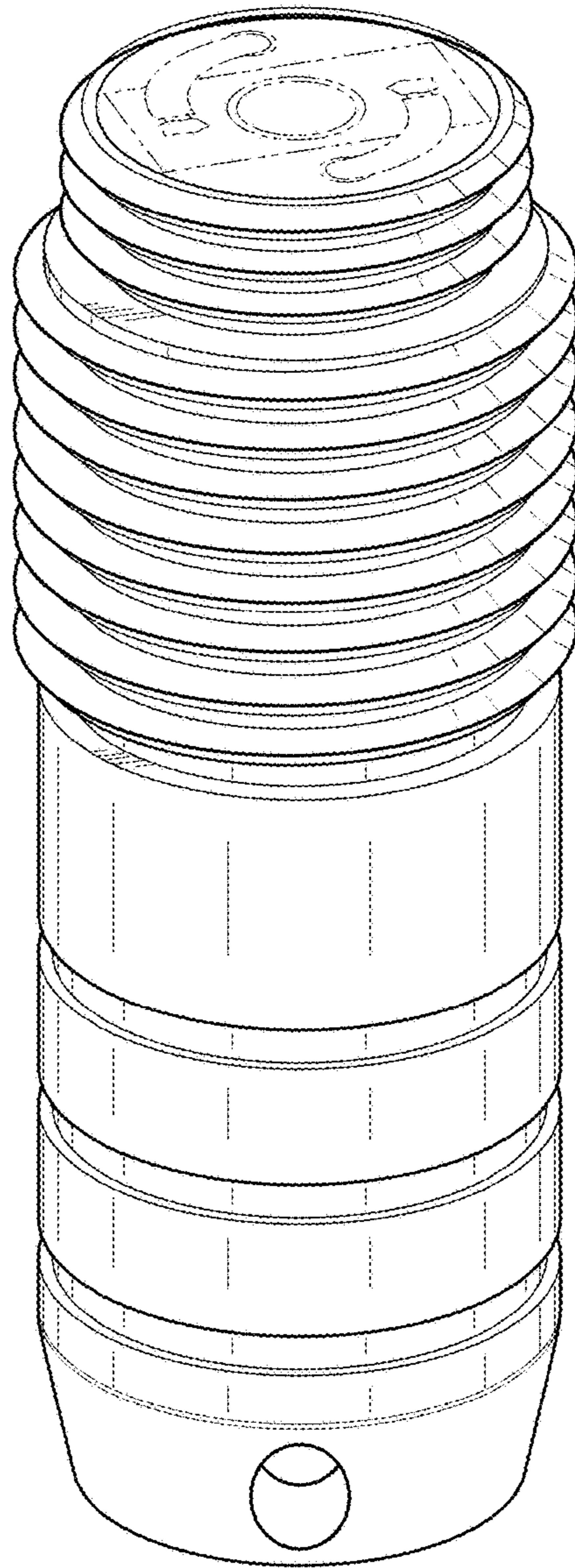
CA 2754514 A1 4/2012
 CA 766601 7/2014
 CN 201129685 Y 10/2008
 DE 3421599 A1 12/1985
 DE 10261305 A1 7/2004
 EP 1983255 A1 12/2007

OTHER PUBLICATIONS

USPTO; Office Action to U.S. Appl. No. 14/601,301; Issued Aug. 31, 2016, 37 pgs.
 USPTO; Office Action to U.S. Appl. No. 14/725,062; Issued Sep. 1, 2016, 31 pgs.
 Stainless Steel Braided Sleeving www.cableorganizer.com. Cite crawled and recorded on Mar. 19, 2014, found at: http://www.tineye.com/search/70d87d79583e8760a052d08b8fb71_a2b9a0fc396/.
 SY Steel Wire Braid Armoured Flexible PVC Control Cable: 2.5mm 3 Core www.uk.shopping.com. Cite crawled and recorded on Nov. 11, 2009, found at: http://www.tineye.com/search/55aa23d9c74b66be84ef2784c9ec21_0255d01252/.

* cited by examiner

FIG. 1



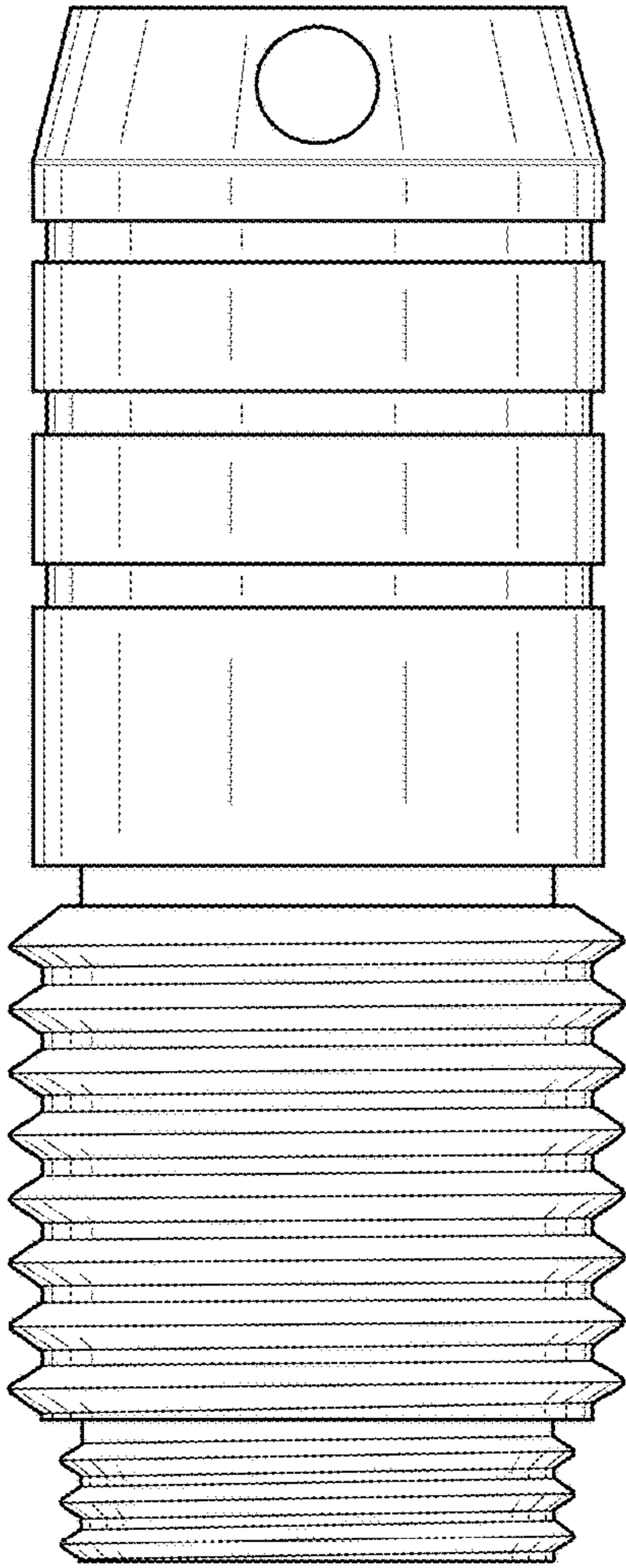


FIG. 2

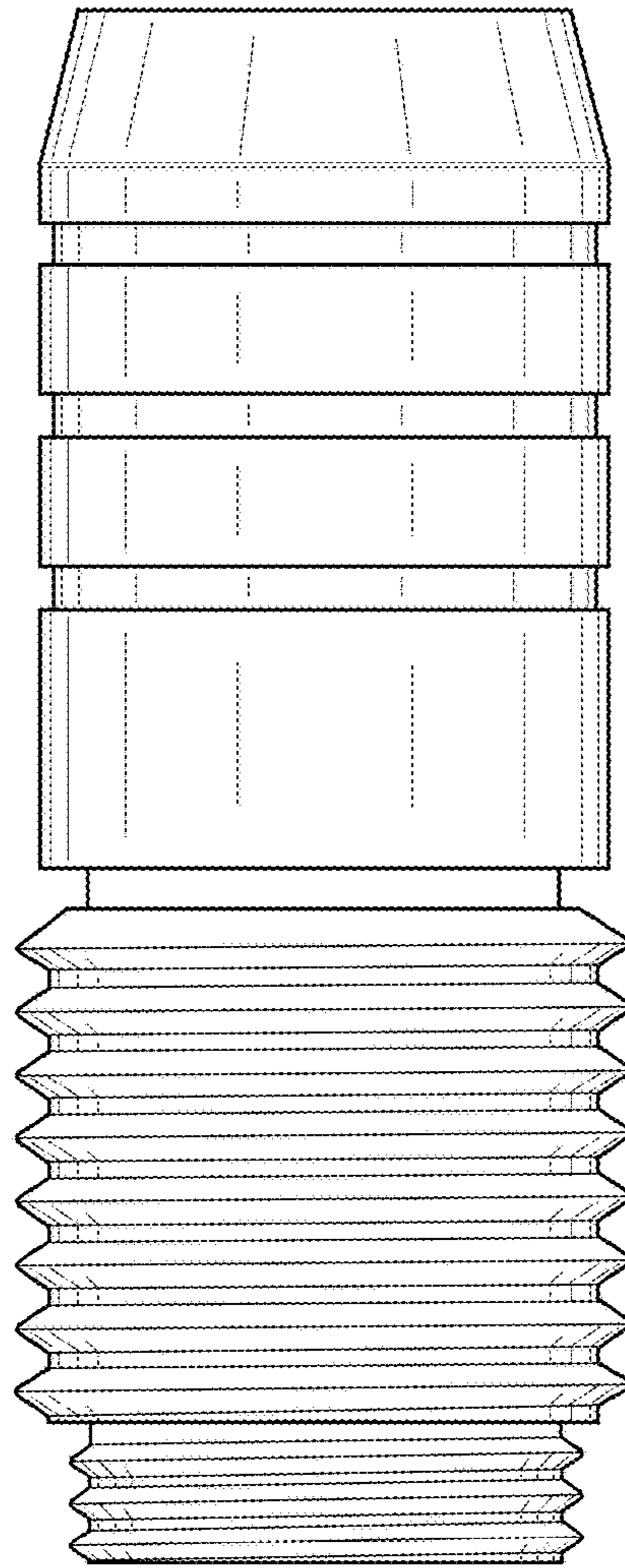


FIG. 3

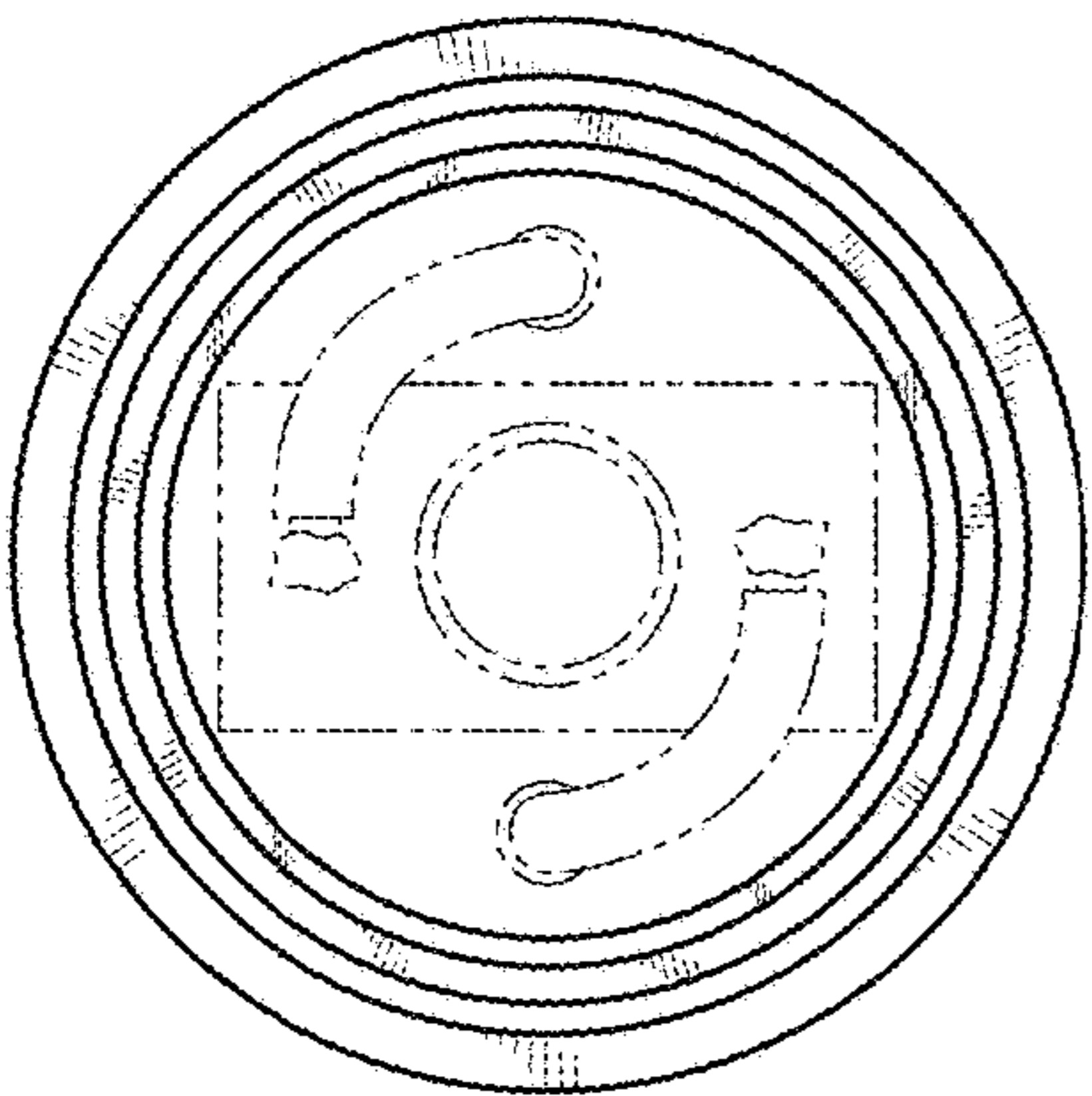


FIG. 4

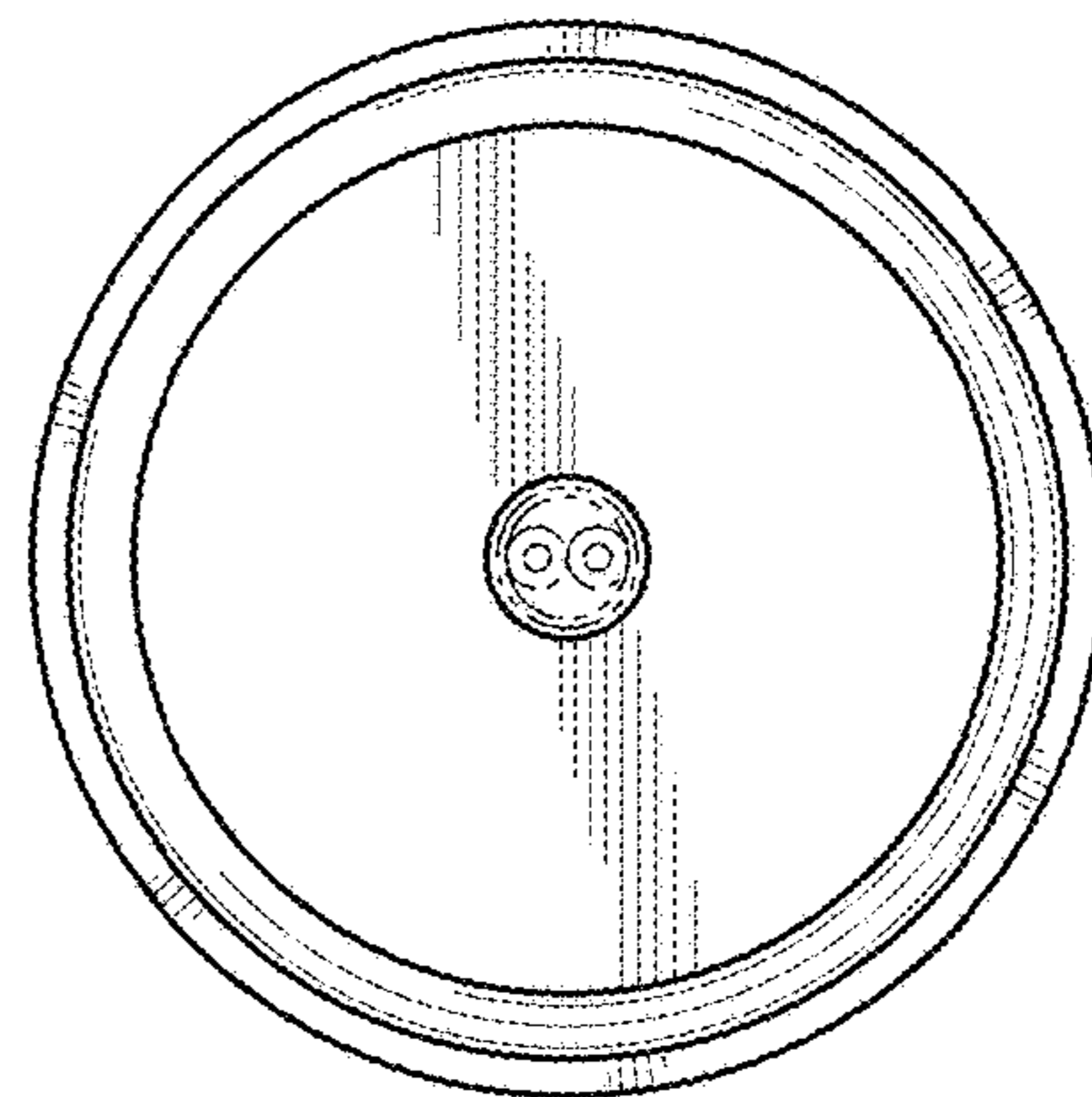


FIG. 5

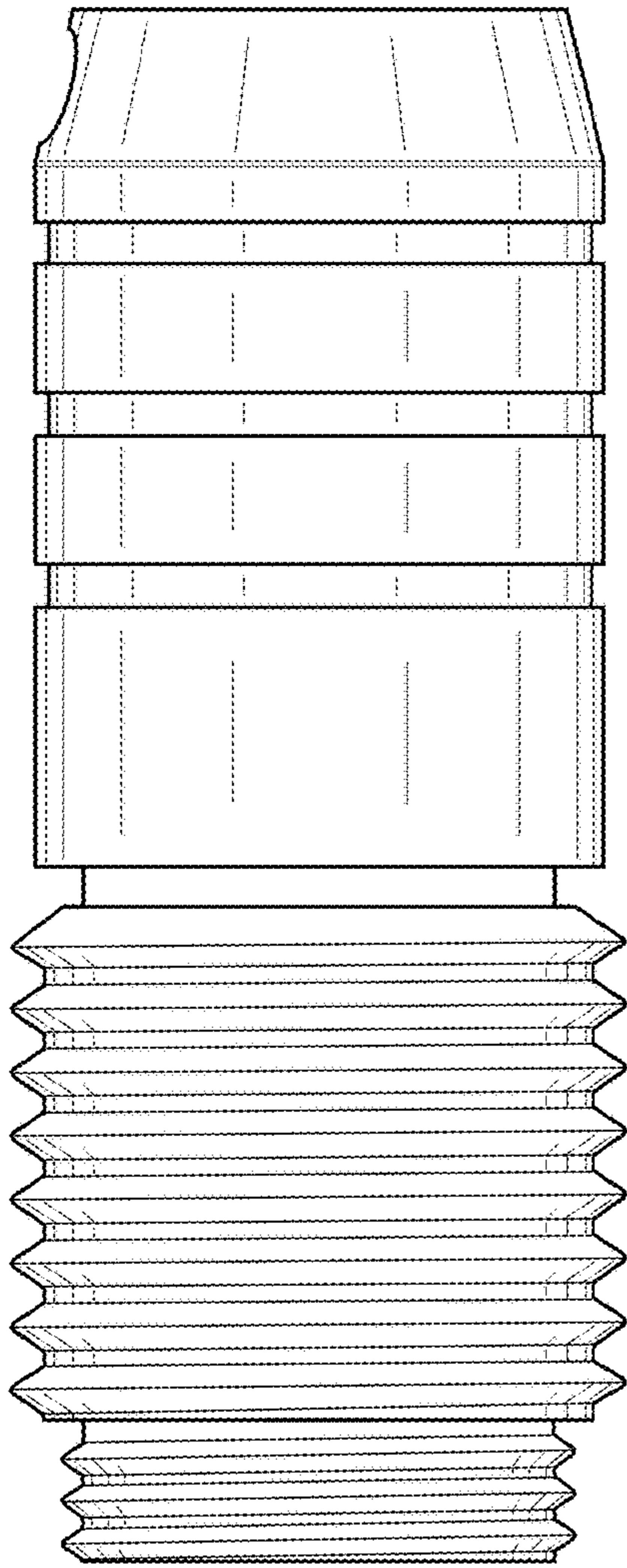


FIG. 6

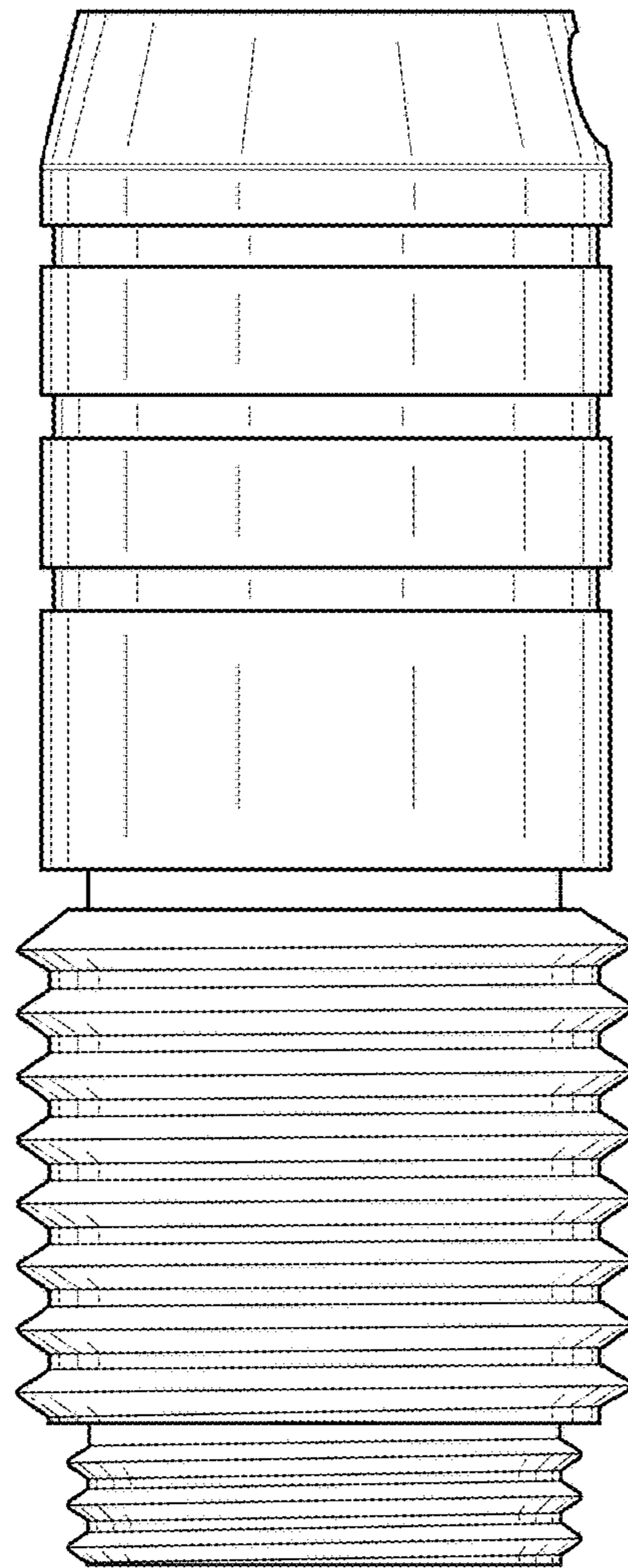


FIG. 7

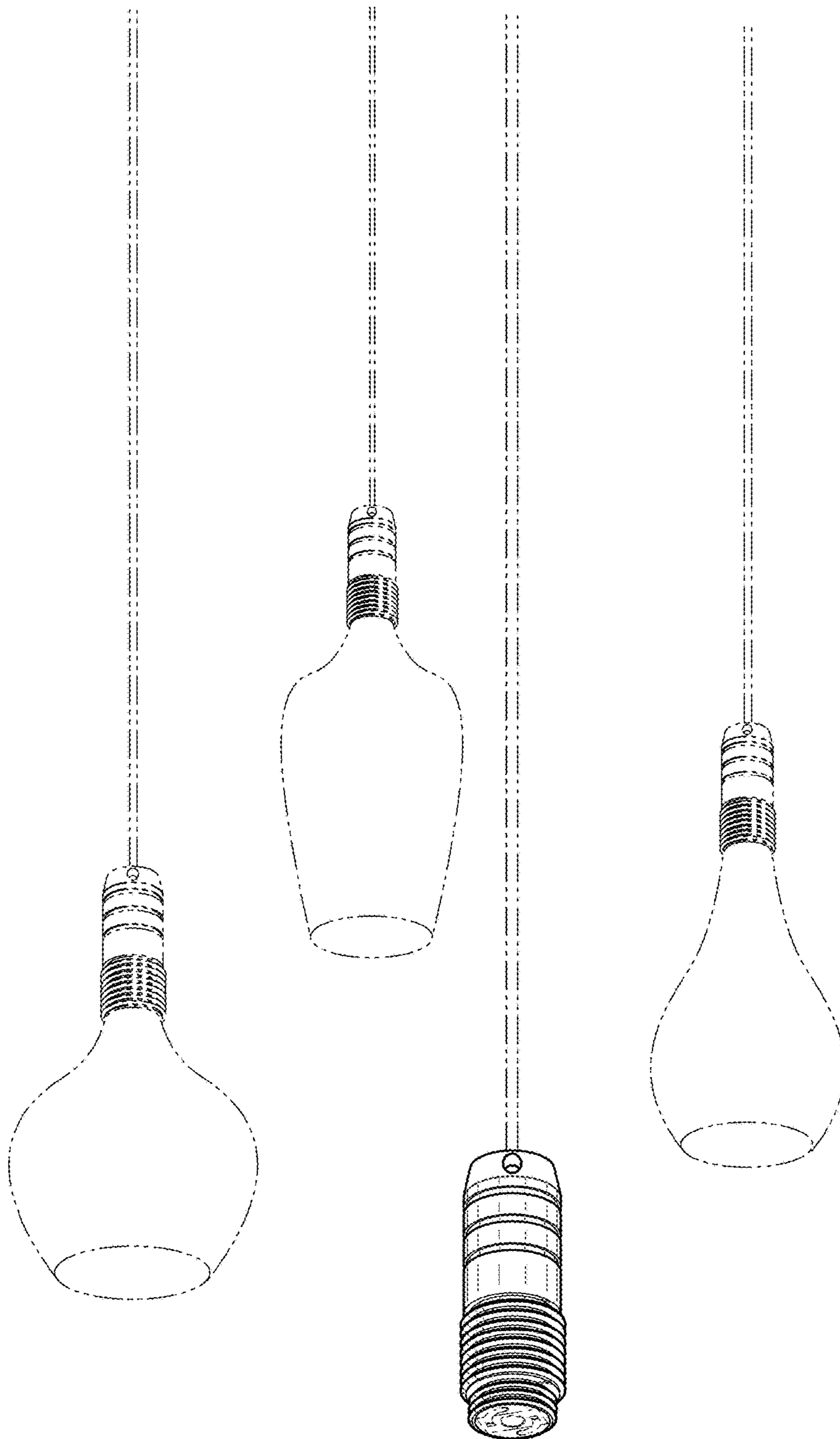


FIG. 8