



US00D784599S

(12) **United States Design Patent** (10) **Patent No.:** **US D784,599 S**
Sibitzky et al. (45) **Date of Patent:** **** *Apr. 18, 2017**

(54) **LIGHT FIXTURE**

- (71) Applicant: **JST Performance, LLC**, Gilbert, AZ (US)
- (72) Inventors: **Pete D. Sibitzky**, Lakeside, CA (US); **Stephen P. Adams**, Mesa, AZ (US)
- (73) Assignee: **JST Performance, LLC**, Gilbert
- (*) Notice: This patent is subject to a terminal disclaimer.
- (**) Term: **14 Years**
- (21) Appl. No.: **29/495,861**
- (22) Filed: **Jul. 6, 2014**

Related U.S. Application Data

- (63) Continuation of application No. 29/471,585, filed on Nov. 1, 2013, now Pat. No. Des. 708,778.
- (51) **LOC (10) Cl.** **26-99**
- (52) **U.S. Cl.**
USPC **D26/118**
- (58) **Field of Classification Search**
USPC D26/24, 26, 28, 29, 34, 37, 38, 43, 44, D26/51, 59, 60, 61, 63, 66, 67, 68, 72, D26/74, 76, 85, 86, 88, 89, 91, 113, 118, D26/119, 120, 122-124, 138, 140-146; 362/145-148, 150, 153, 153.1, 218, 362/249.01-249.05, 294, 296.01, 296.07,
(Continued)

(56) **References Cited**

U.S. PATENT DOCUMENTS

- D55,392 S * 6/1920 Marcus D28/8
 - D190,922 S * 7/1961 Anthony D26/24
- (Continued)

OTHER PUBLICATIONS

JST Performance, Inc. D/B/A/ Rigid Industries, <http://www.webarchive.org/web/20110119183611/http://www.rigidindustries.com/Off-Road-LED-Light-Bars-s/64.htm> As viewed on Jul. 5, 2014.

Primary Examiner — Cynthia Ramirez
Assistant Examiner — Llorellys Martinez-Rivera

(57) **CLAIM**

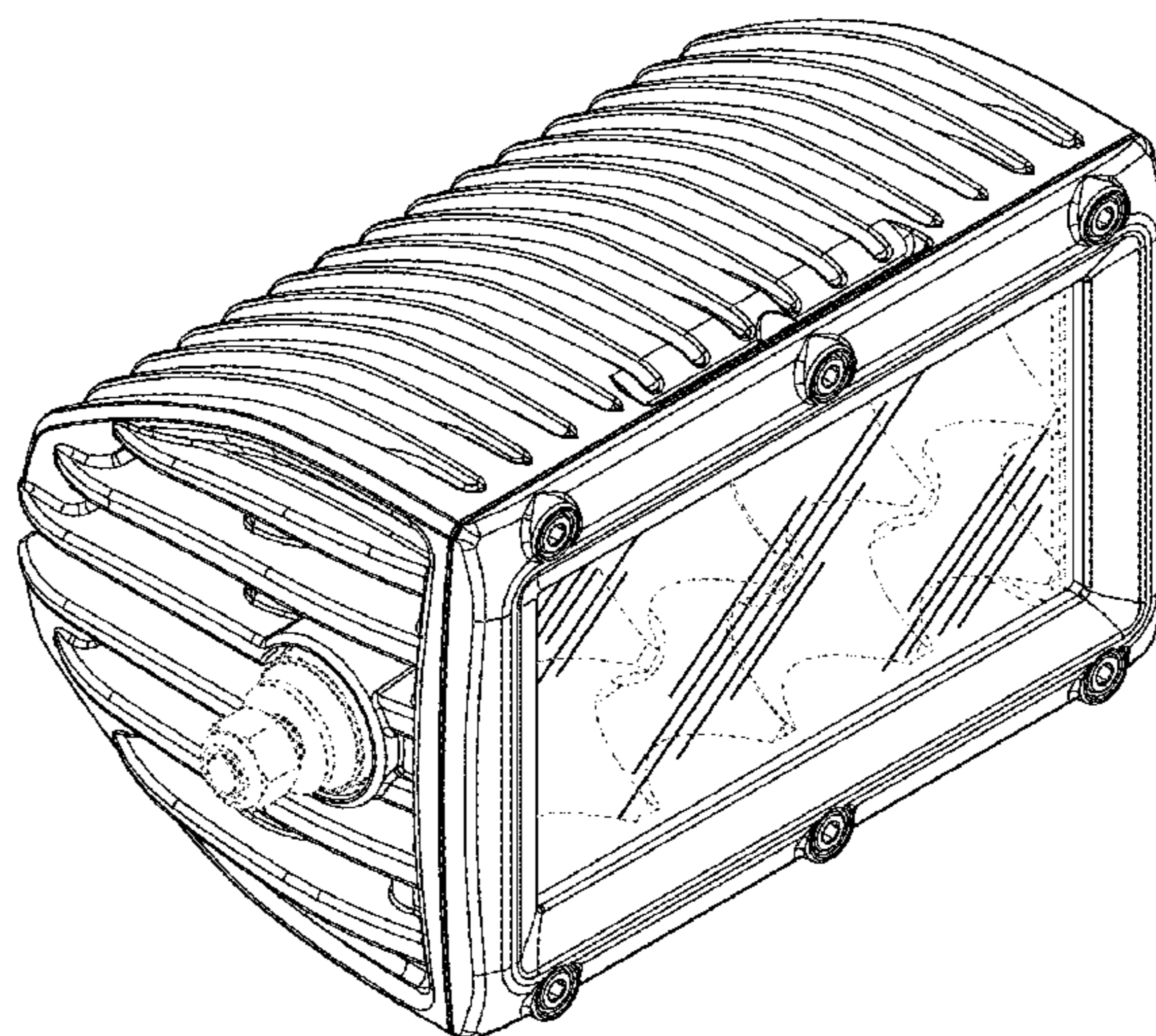
The ornamental design for a light fixture, as shown and described.

DESCRIPTION

FIG. 1 is a front and left side perspective view of a light fixture showing our new design;
 FIG. 2 is a front and right side perspective view thereof;
 FIG. 3 is a second embodiment of FIG. 1, the only difference being the configuration of the lens;
 FIG. 4 is a second embodiment of FIG. 2, the only difference being the configuration of the lens;
 FIG. 5 is a third embodiment of FIG. 1, the only difference being the configuration of the lens;
 FIG. 6 is a third embodiment of FIG. 2, the only difference being the configuration of the lens;
 FIG. 7 is a back and left side perspective view thereof;
 FIG. 8 is a back and right side perspective view thereof;
 FIG. 9 is a front side view thereof;
 FIG. 10 is a back side view thereof;
 FIG. 11 is a left side view thereof;
 FIG. 12 is a right side view thereof;
 FIG. 13 is a top view thereof; and,
 FIG. 14 is a bottom view thereof.

The broken lines in the drawings illustrate environmental subject matter only and form no part of the claimed design.

1 Claim, 14 Drawing Sheets



(58) **Field of Classification Search**

USPC 362/296.08, 311.07, 311.09, 311.1, 345,
 362/362, 364, 365, 366, 368, 370, 371,
 362/373, 397, 418, 427, 428, 460,
 362/473-476, 546-548
 CPC F21V 29/02; F21V 3/02; F21V 15/013;
 F21V 21/04
 See application file for complete search history.

(56) **References Cited**

U.S. PATENT DOCUMENTS

D300,570 S * 4/1989 DeCandia D26/63
 D329,505 S * 9/1992 Miller D26/63
 D353,474 S * 12/1994 Shyan D26/63
 5,685,631 A * 11/1997 Dobert et al. 362/158
 D432,443 S * 10/2000 Odegard et al. D10/111
 D434,515 S * 11/2000 McNamara D26/63
 D465,592 S * 11/2002 Lin D26/65
 D539,945 S * 4/2007 Egawa et al. D26/24

D565,223 S * 3/2008 Guercio D26/63
 D625,450 S * 10/2010 Rosenkrantz et al. D26/61
 D629,550 S * 12/2010 Sandell D26/63
 D646,826 S * 10/2011 Smith D26/74
 D659,280 S * 5/2012 Guercio et al. D26/118
 D659,867 S * 5/2012 Zhan D26/37
 D666,346 S * 8/2012 Gebhard et al. D26/63
 D672,908 S * 12/2012 Wilcox et al. D26/118
 D675,758 S * 2/2013 Adams D26/28
 D676,990 S 2/2013 Adams
 D677,815 S * 3/2013 Zhan D26/37
 D679,845 S * 4/2013 Huang D26/37
 D693,509 S * 11/2013 Hosick et al. D26/63
 D716,986 S * 11/2014 Ng D26/60
 2006/0103934 A1 * 5/2006 Nakade et al. 359/523
 2008/0089060 A1 * 4/2008 Kondo et al. 362/294
 2010/0014289 A1 * 1/2010 Thomas et al. 362/294
 2011/0122623 A1 * 5/2011 Miura 362/249.02
 2011/0128737 A1 * 6/2011 Kim 362/249.03
 2014/0346951 A1 * 11/2014 Adams et al. 315/77

* cited by examiner

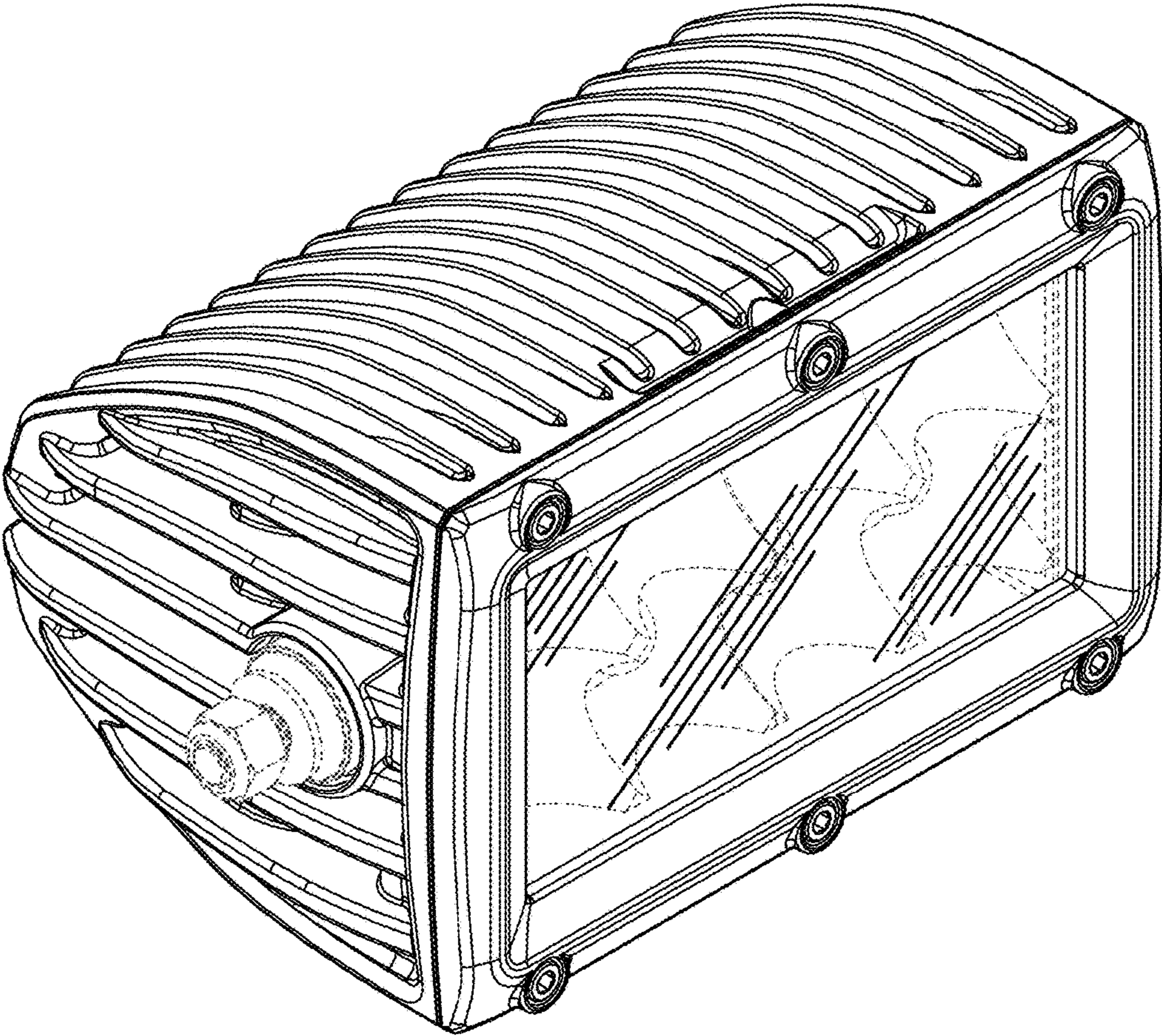


FIG. 1

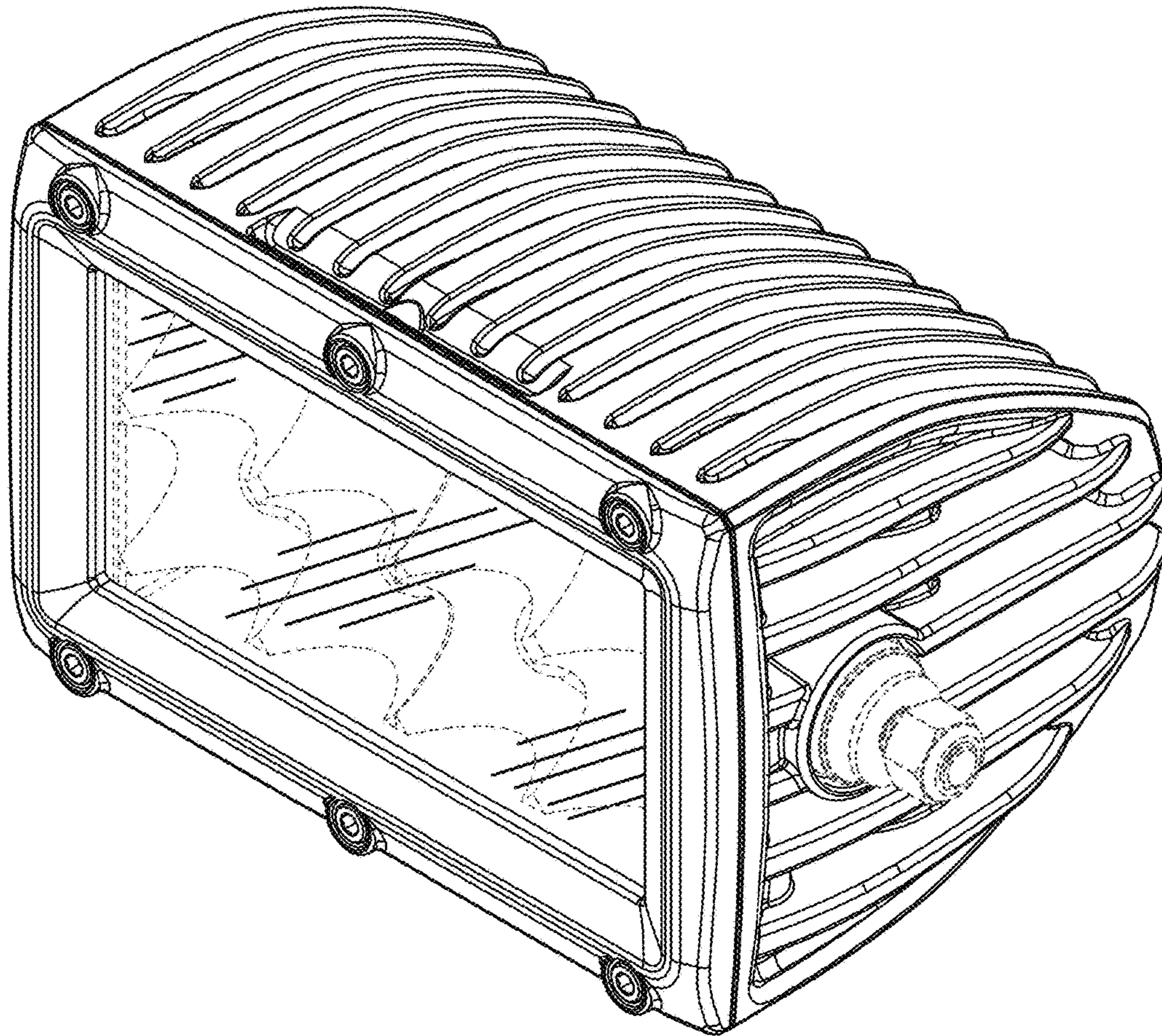


FIG. 2

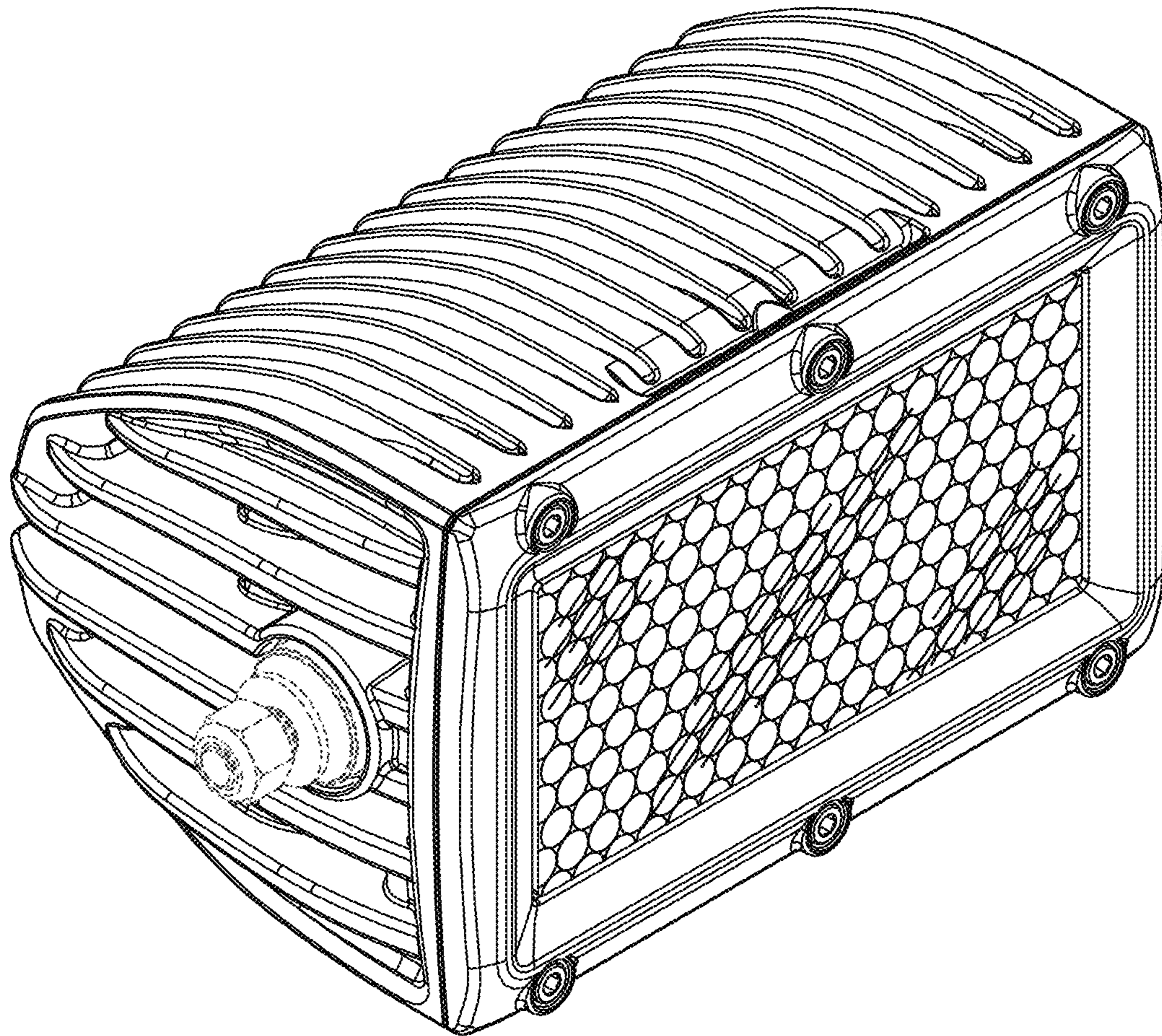


FIG. 3

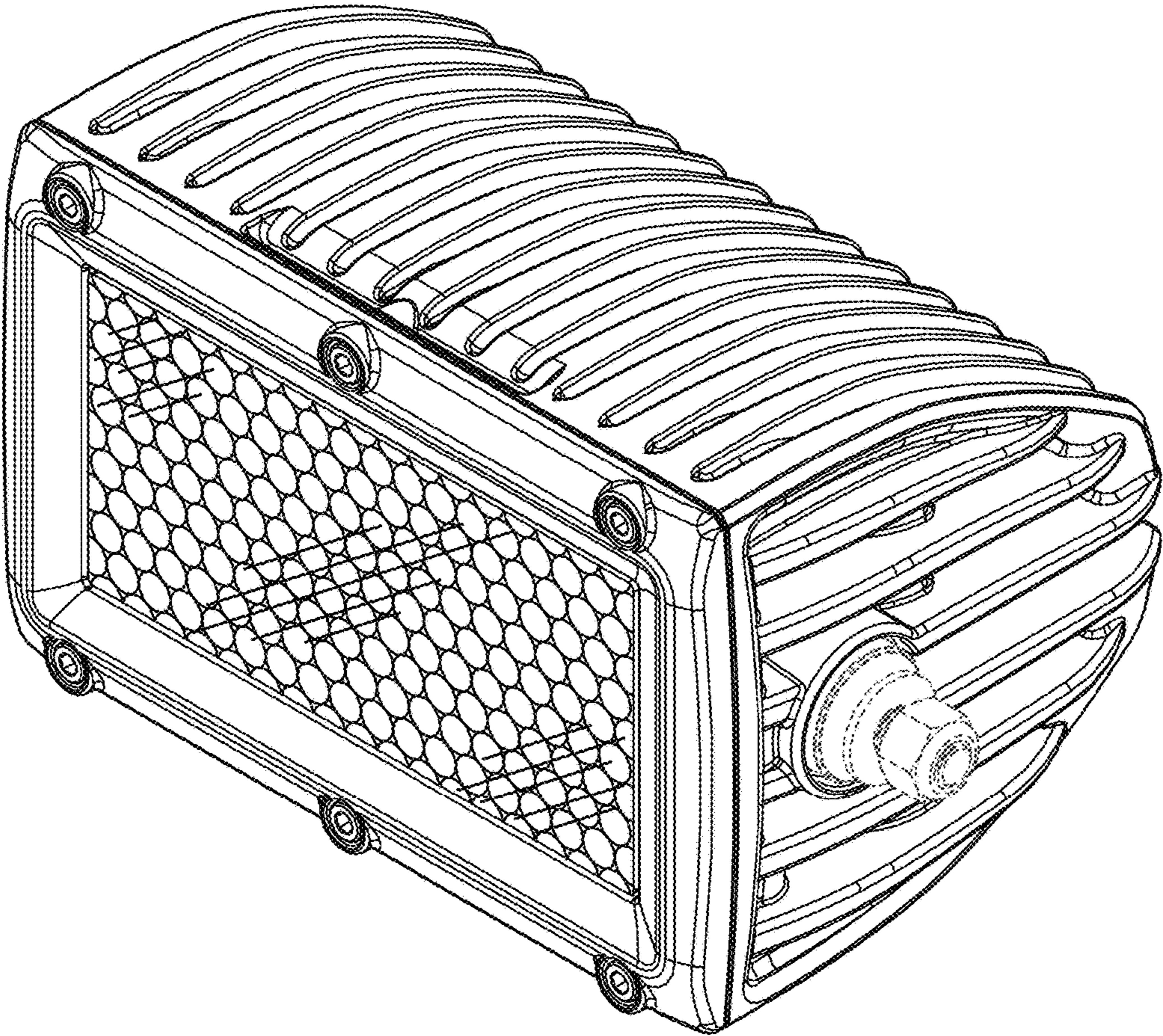


FIG. 4

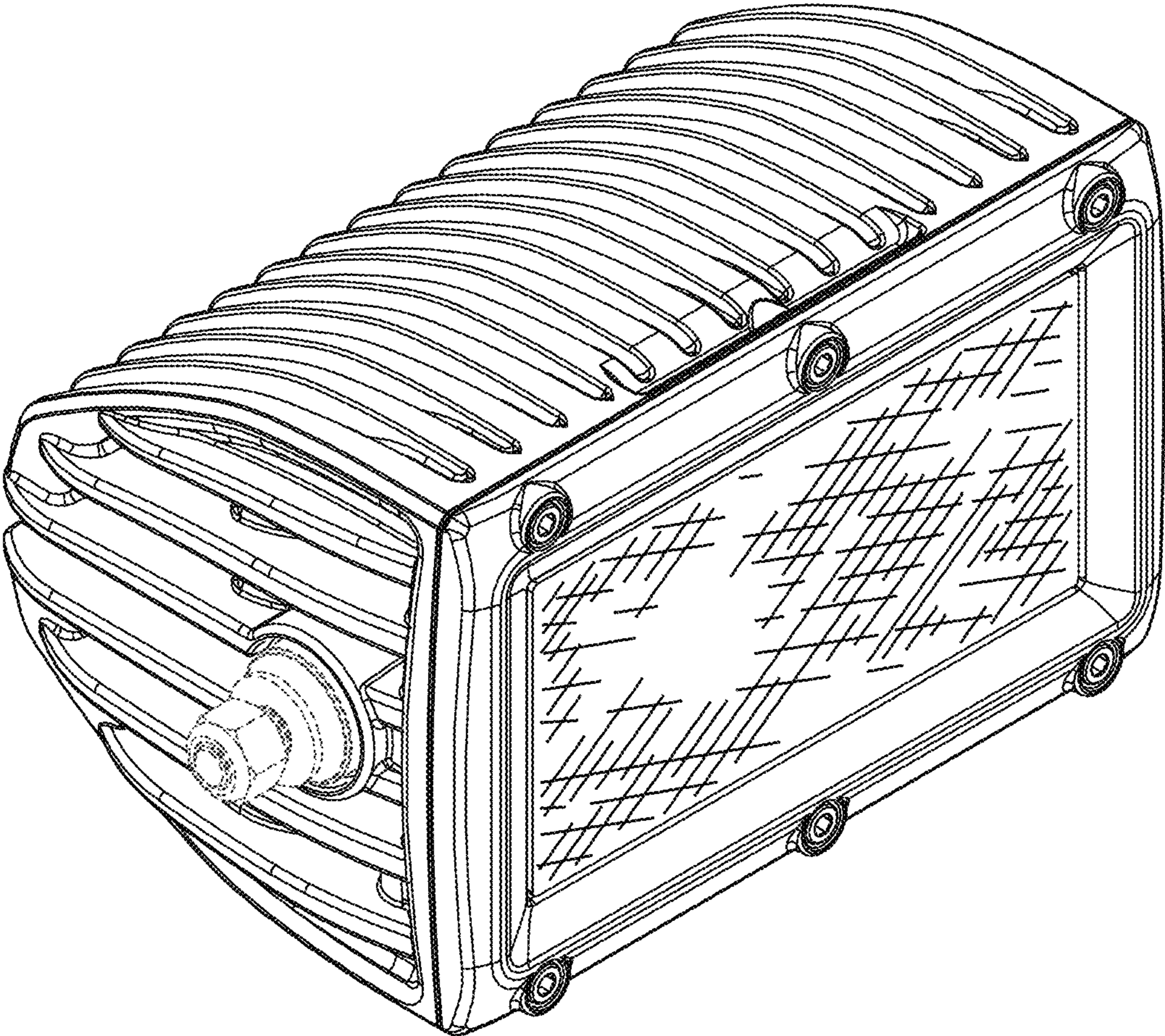


FIG. 5

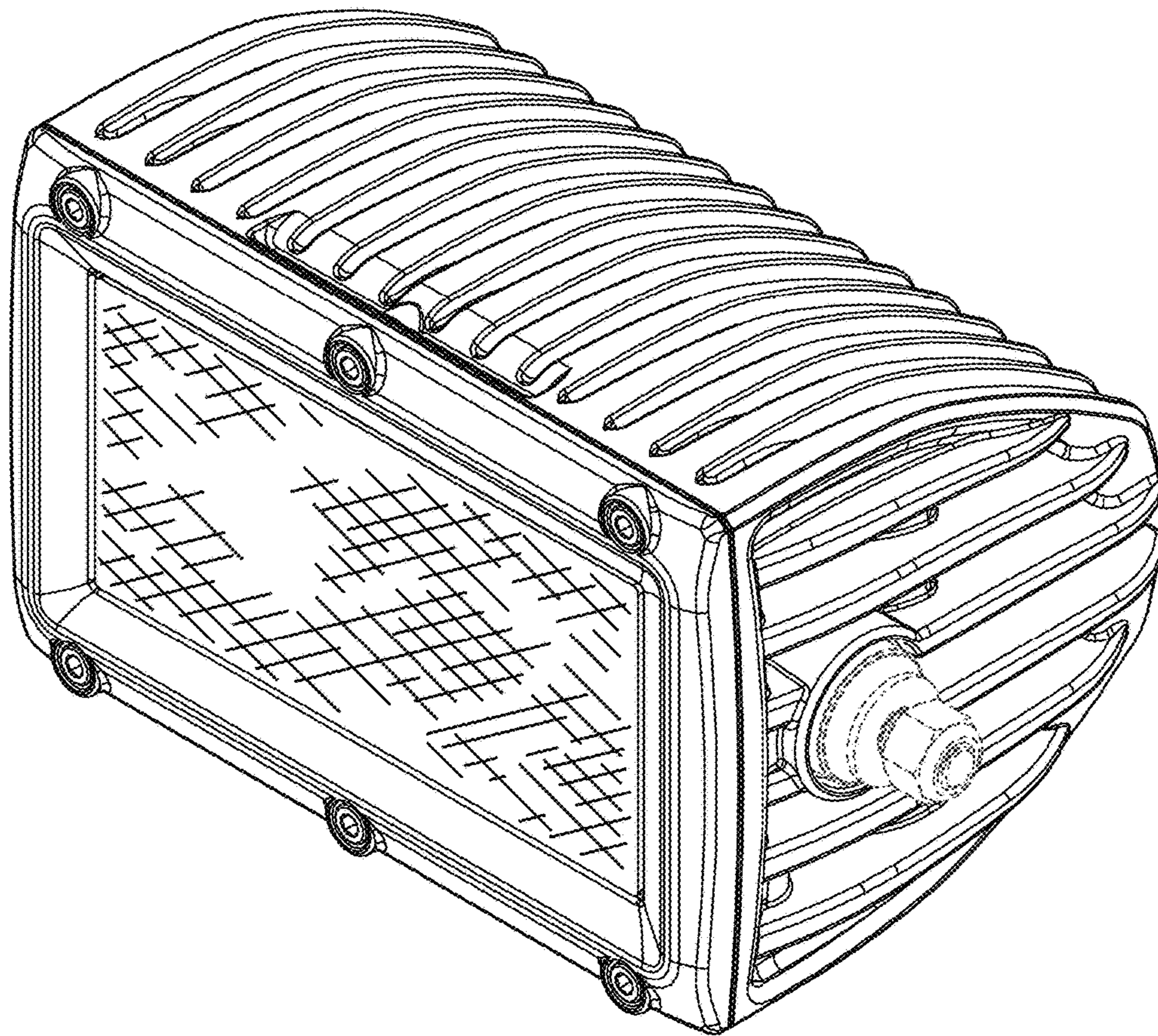


FIG. 6

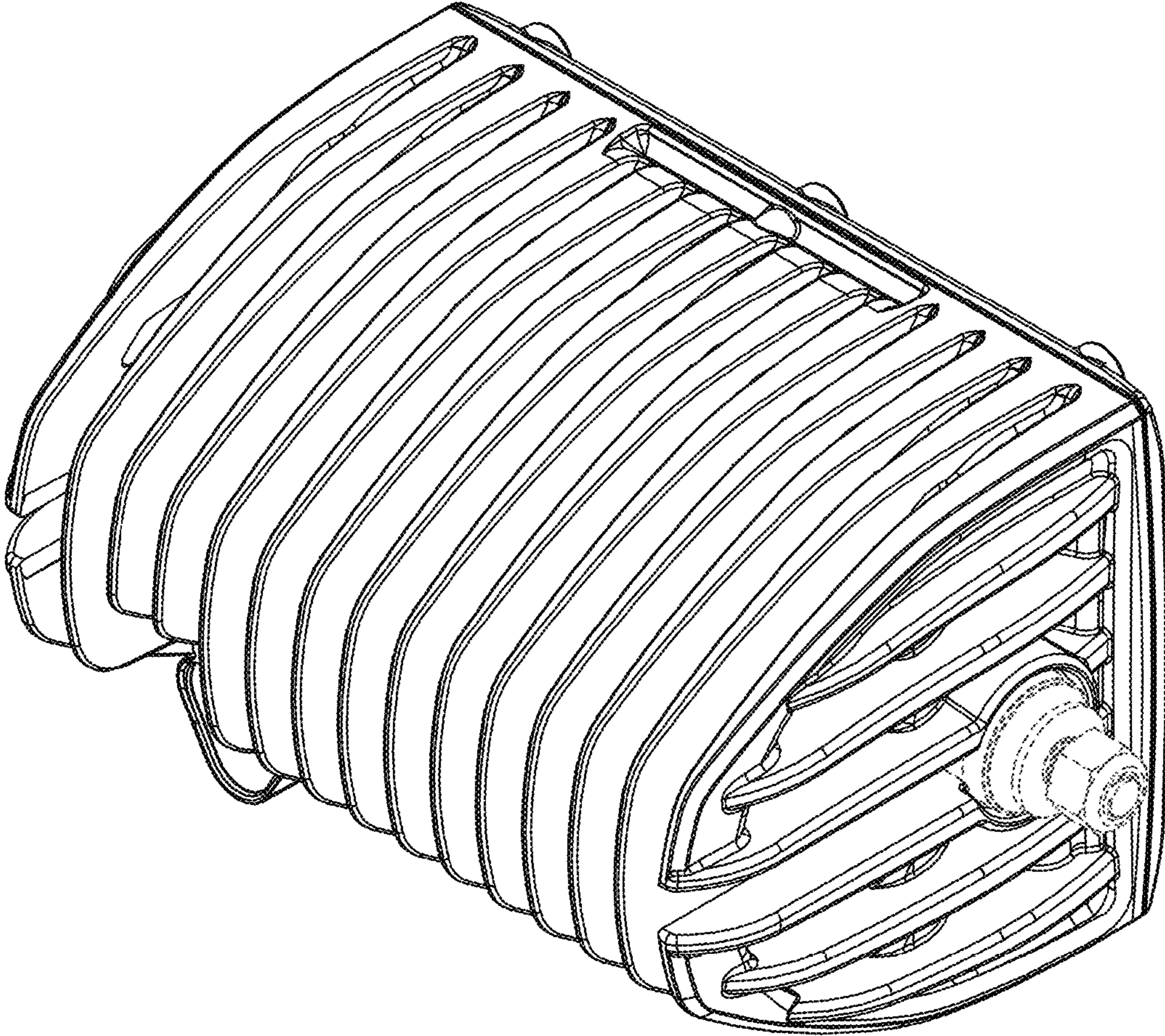


FIG. 7

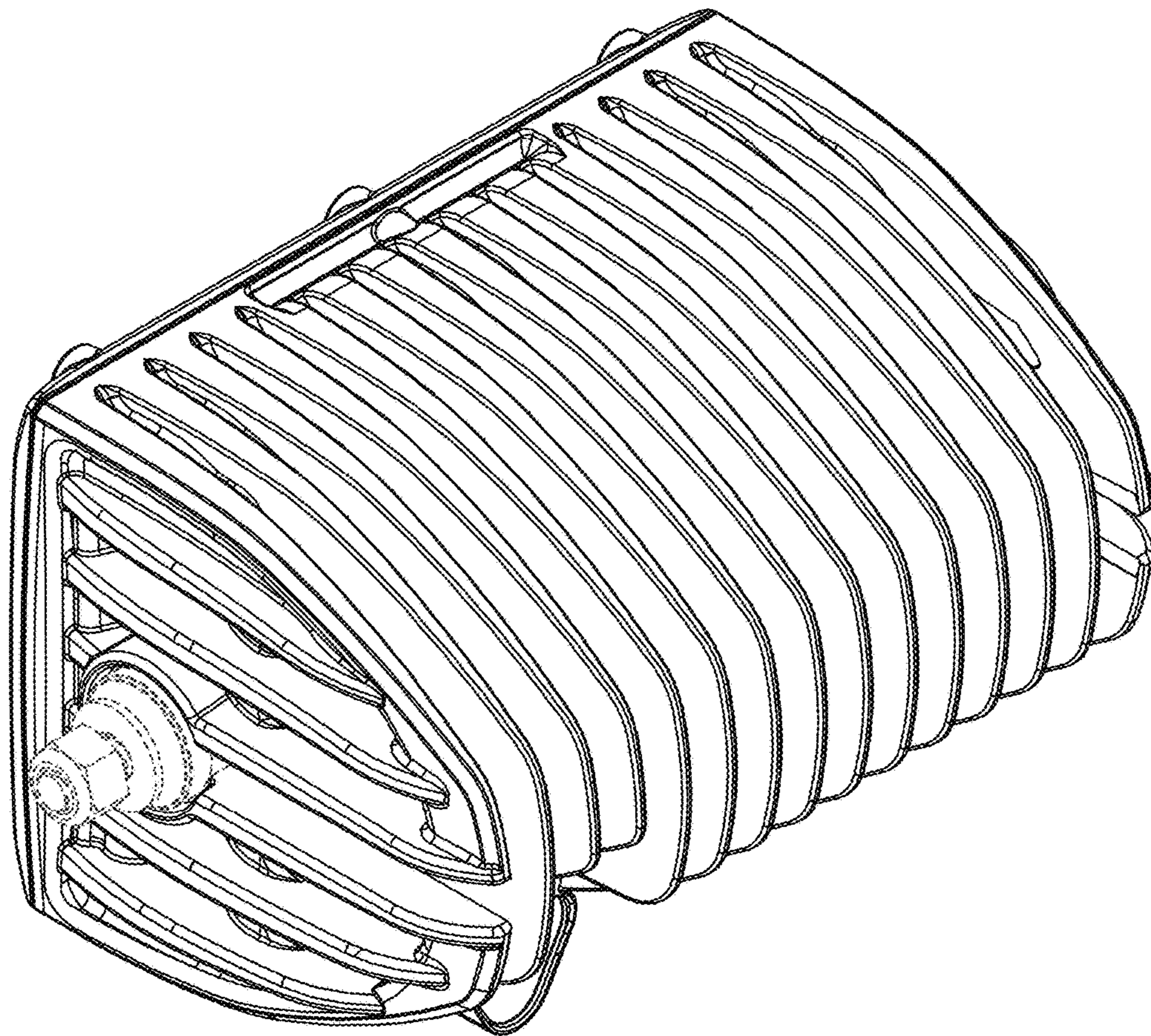


FIG. 8

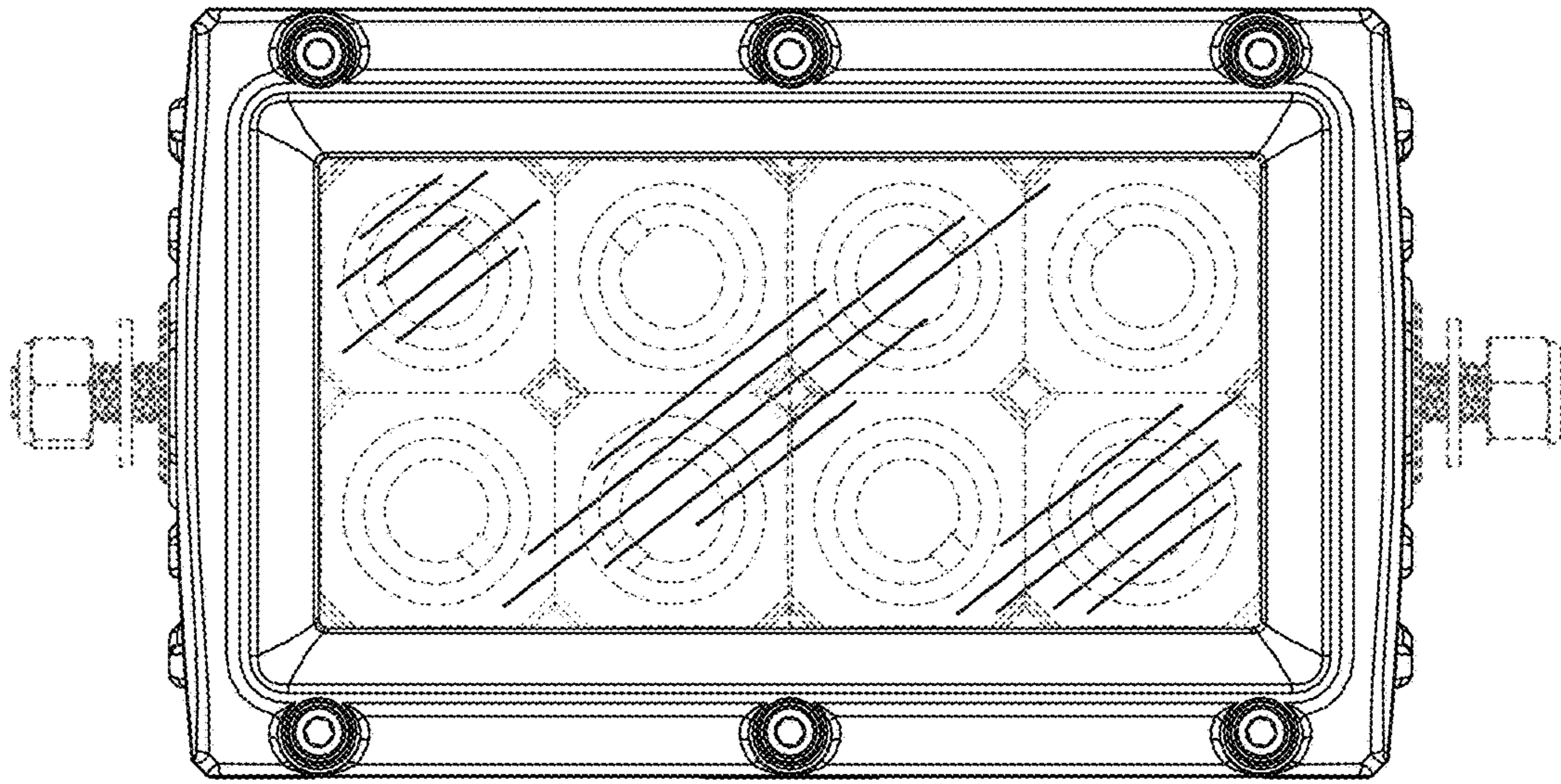


FIG. 9

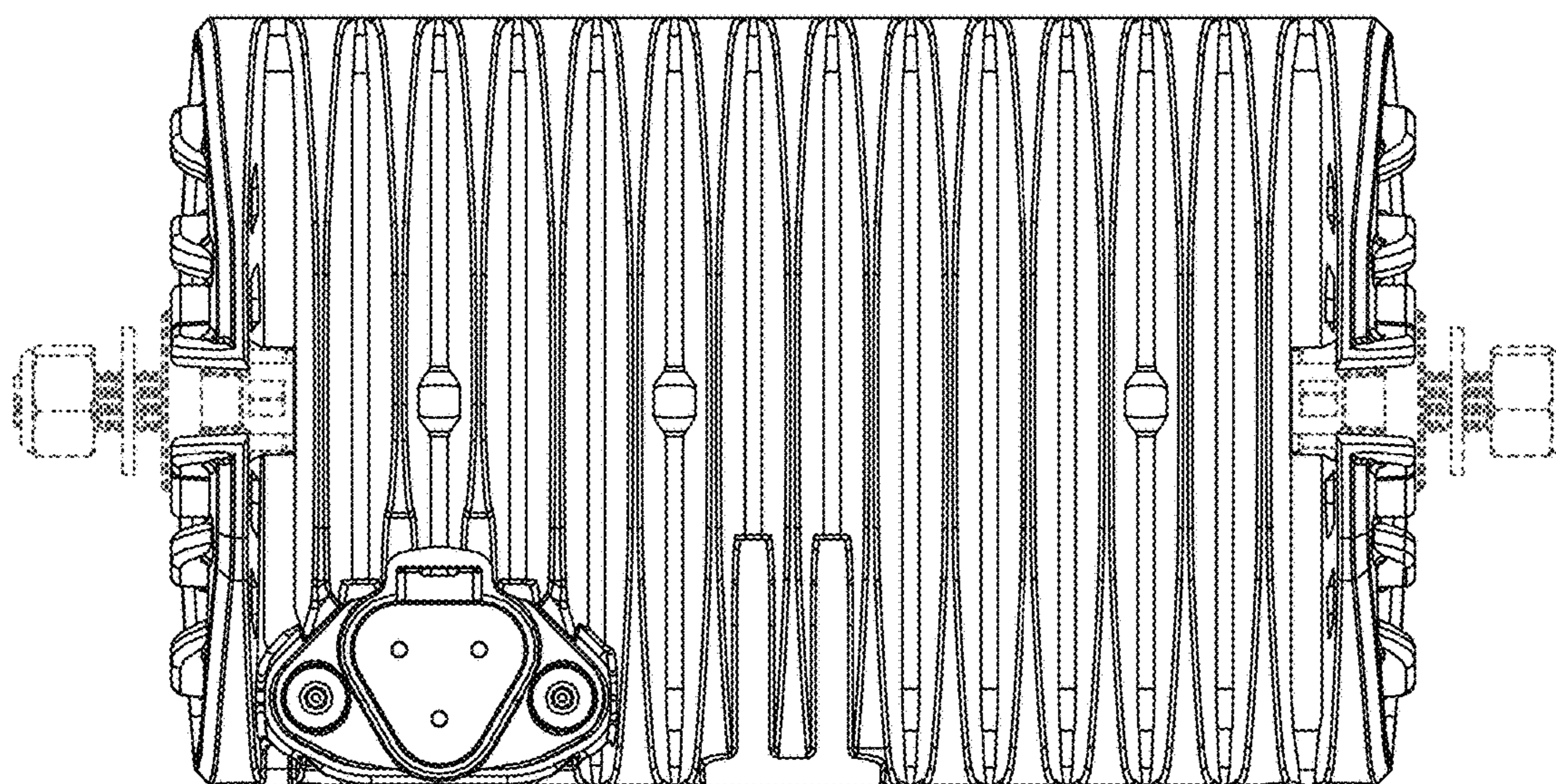


FIG. 10

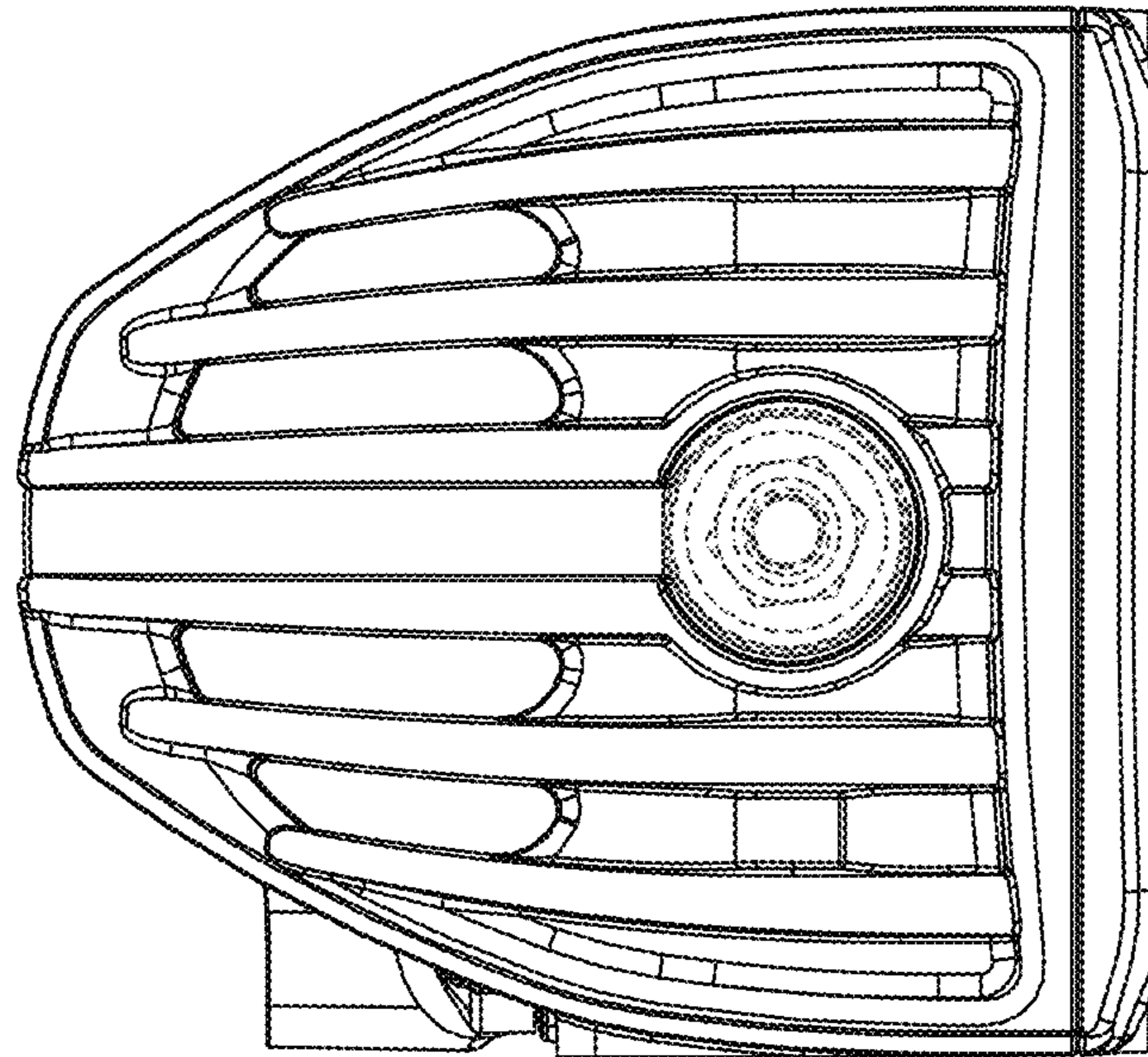


FIG. 11

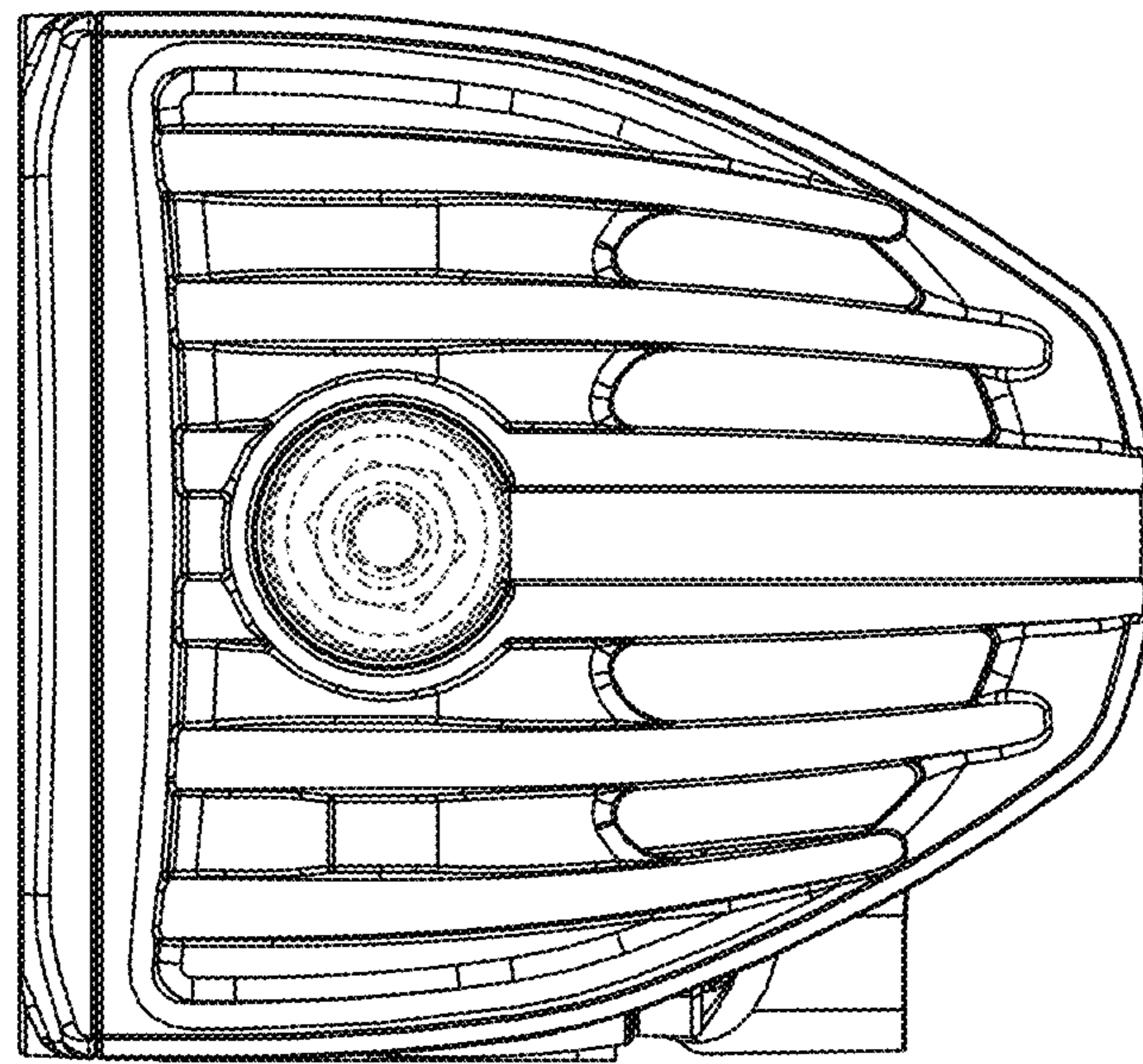


FIG. 12

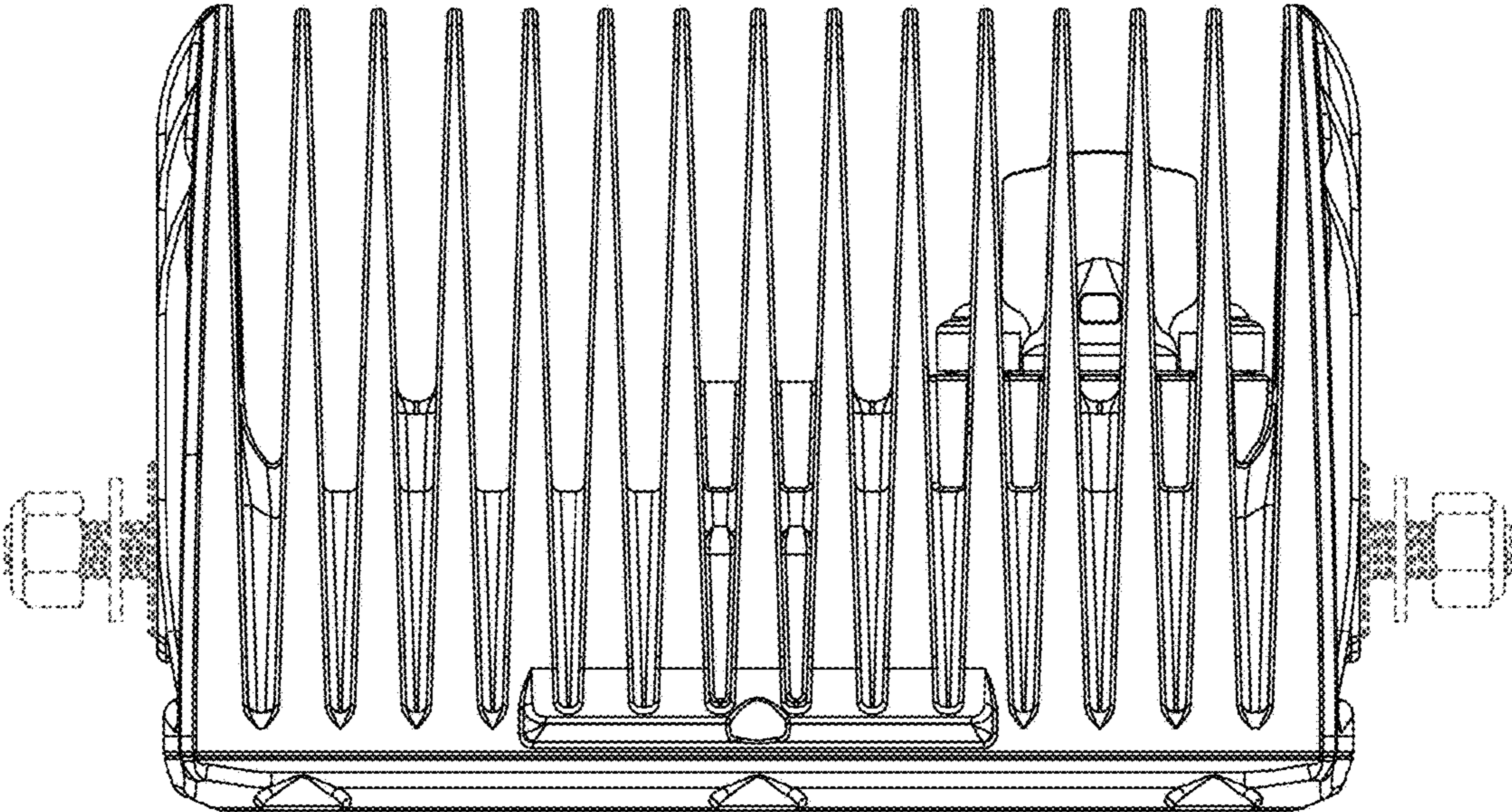


FIG. 13

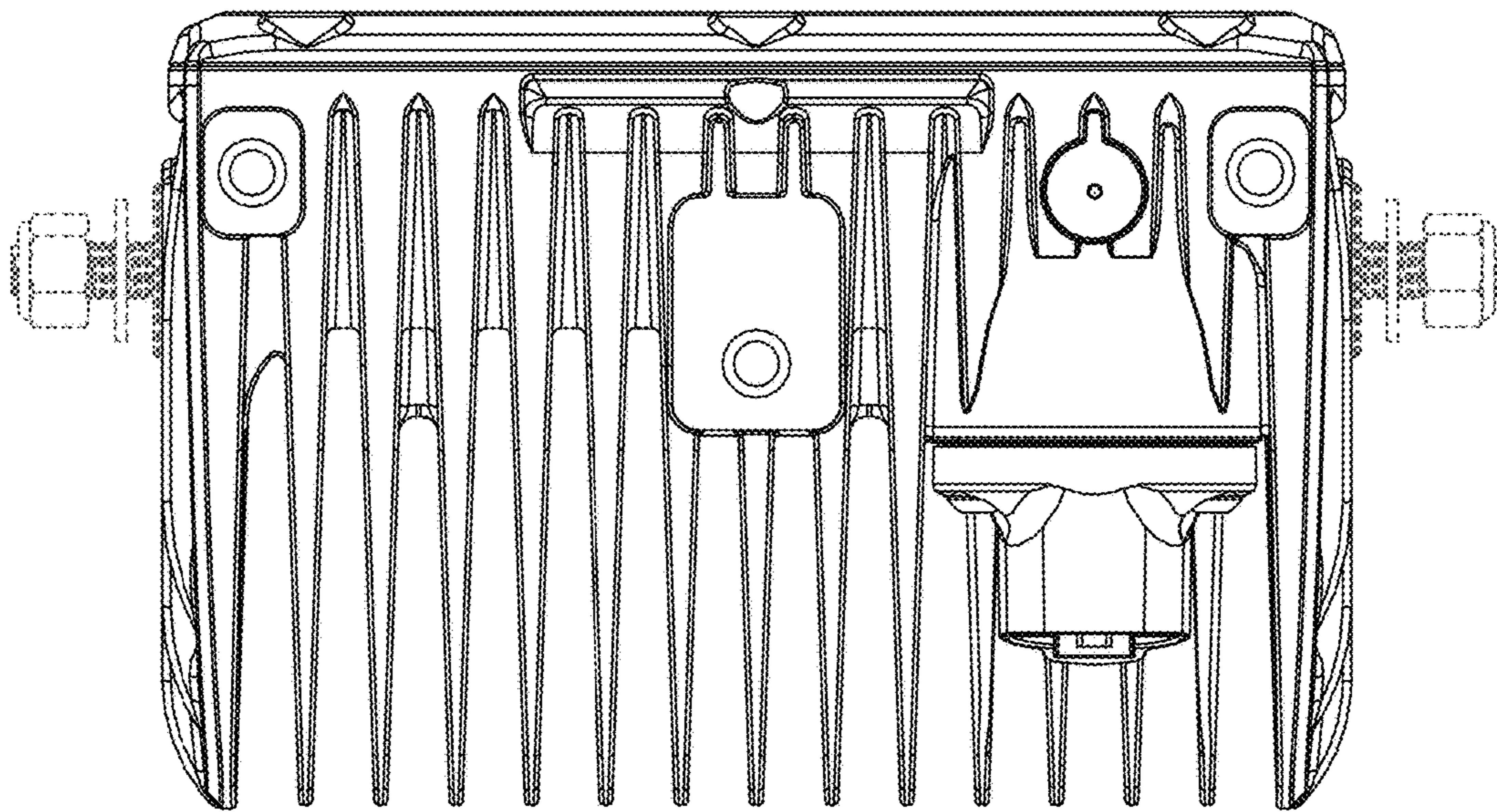


FIG. 14