



US00D784598S

(12) **United States Design Patent** (10) **Patent No.:** **US D784,598 S**  
**Schulze** (45) **Date of Patent:** **\*\* Apr. 18, 2017**

(54) <b>FLASH APPARATUS</b>	3,609,337 A * 9/1971 Adra ..... F21V 15/01 362/306
(71) Applicant: <b>VITRONIC Dr.-Ing. Stein</b>	D225,768 S * 1/1973 Hernandez ..... D26/63
<b>Bildverarbeitungssysteme GmbH,</b>	D277,416 S * 1/1985 Brown ..... D26/24
Wiesbaden (DE)	D345,226 S * 3/1994 Tsao ..... D26/63
(72) Inventor: <b>Andreas Schulze, Limburg an der Lahn</b>	D389,268 S * 1/1998 Kay ..... D26/118
(DE)	D407,836 S * 4/1999 Leen ..... D26/63
(73) Assignee: <b>VITRONIC Dr.-Ing. Stein</b>	D544,125 S * 6/2007 Guercio ..... D26/63
<b>Bildverarbeitungssysteme GmbH,</b>	D545,471 S * 6/2007 Guercio ..... D26/63
Wiesbaden (DE)	D545,472 S * 6/2007 Guercio ..... D26/63
(**) Term: <b>15 Years</b>	D547,477 S * 7/2007 Guercio ..... D26/63
	D547,478 S * 7/2007 Guercio ..... D26/63
	D549,380 S * 8/2007 Guercio ..... D26/63
	D550,877 S * 9/2007 Mullen ..... D26/63
	D551,789 S * 9/2007 Mullen ..... D26/63

(Continued)

(21) Appl. No.: **29/528,215**

**FOREIGN PATENT DOCUMENTS**

(22) Filed: **May 27, 2015**

EM	0021558200002	12/2012
EM	0024288960001	3/2014

(30) **Foreign Application Priority Data**

Dec. 2, 2014 (EM) ..... 002589325-0001

(51) **LOC (10) Cl.** ..... **26-03**

(52) **U.S. Cl.**  
USPC ..... **D26/93**

(58) **Field of Classification Search**  
USPC ..... D26/2, 28, 72, 89, 113, 118, 119, 120,  
D26/122, 124, 128, 138, 142, 143, 145,  
D26/60-66, 93; D13/180  
CPC ..... F41C 27/00; F41C 33/0254; G02B 5/045;  
G02B 5/189; F21S 8/00; F21S 8/03;  
F21S 8/026; F21S 8/02; F21S 8/003;  
F21S 8/043; F21S 8/06; F21S 8/04; F21V  
7/005; F21V 15/01; F21V 15/04; F21V  
25/00; G02F 2001/133607; F21Y 2103/00  
See application file for complete search history.

(56) **References Cited**

**U.S. PATENT DOCUMENTS**

D204,796 S *	5/1966 Harrison	.....	D26/63
D216,911 S *	3/1970 Specht	.....	D26/24

*Primary Examiner* — Rosemary K Tarcza  
*Assistant Examiner* — Sanjeev Paul  
(74) *Attorney, Agent, or Firm* — The Webb Law Firm

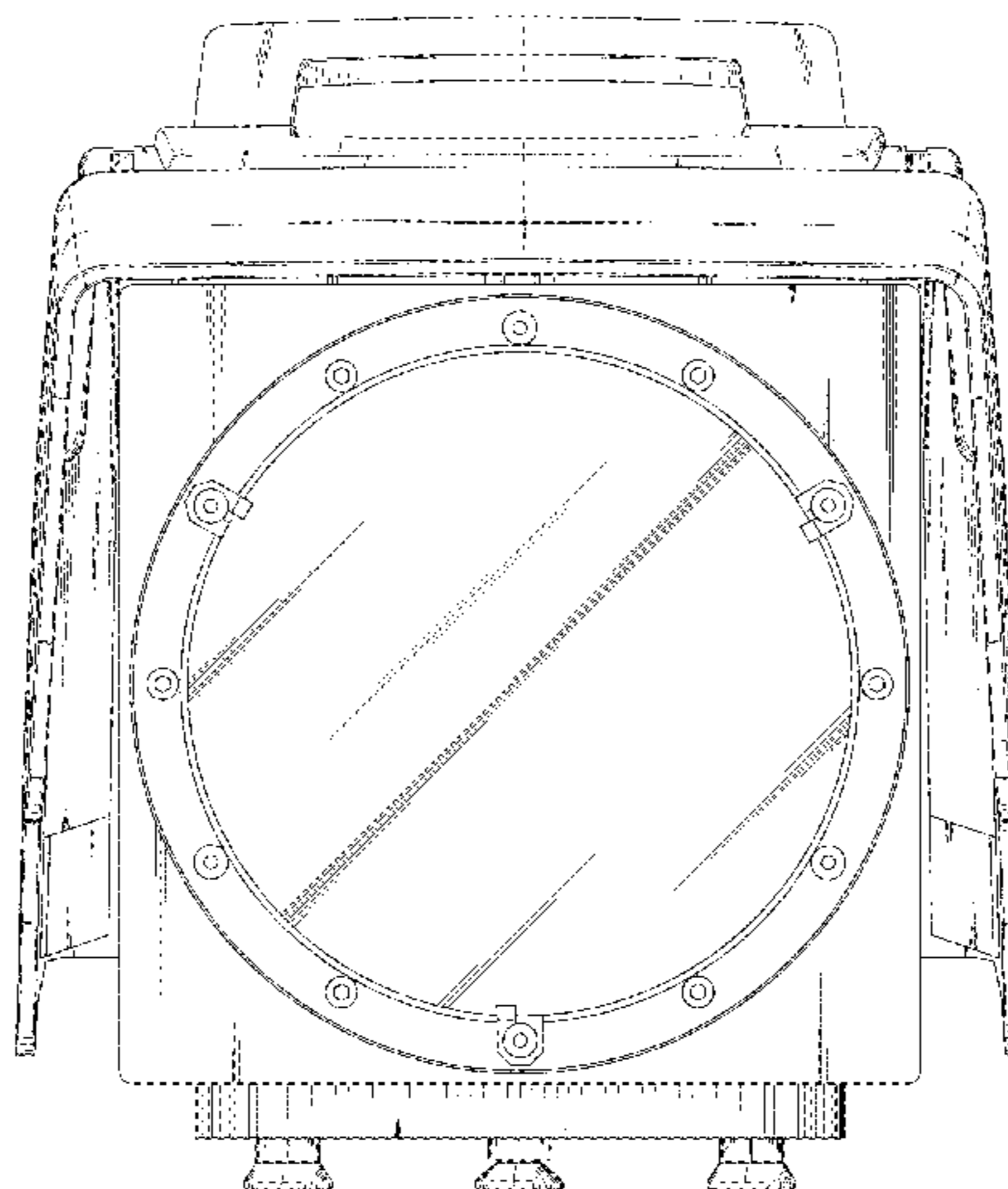
(57) **CLAIM**

The ornamental design for a flash apparatus, as shown and described.

**DESCRIPTION**

FIG. 1 is a front view of a flash apparatus, showing my new design;  
FIG. 2 is a rear view thereof;  
FIG. 3 is a right side view thereof;  
FIG. 4 is a top view thereof;  
FIG. 5 is a front perspective view thereof; and,  
FIG. 6 is a rear perspective view thereof.  
A left side view of the flash apparatus is omitted as it is symmetric in appearance to the right side view of FIG. 3.  
The portions of the flash apparatus shown in broken lines form no part of the claimed design.

**1 Claim, 6 Drawing Sheets**



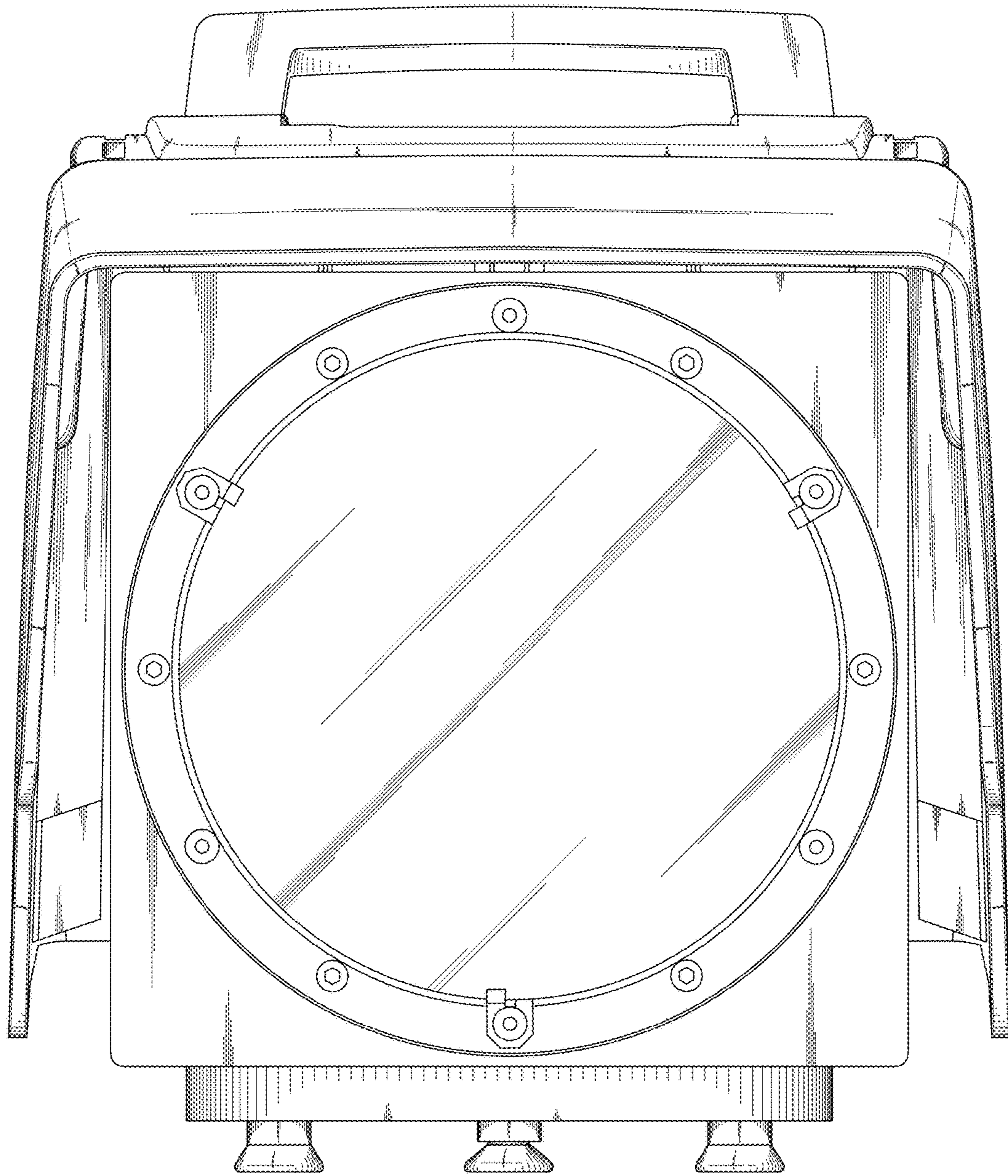
(56)

**References Cited**

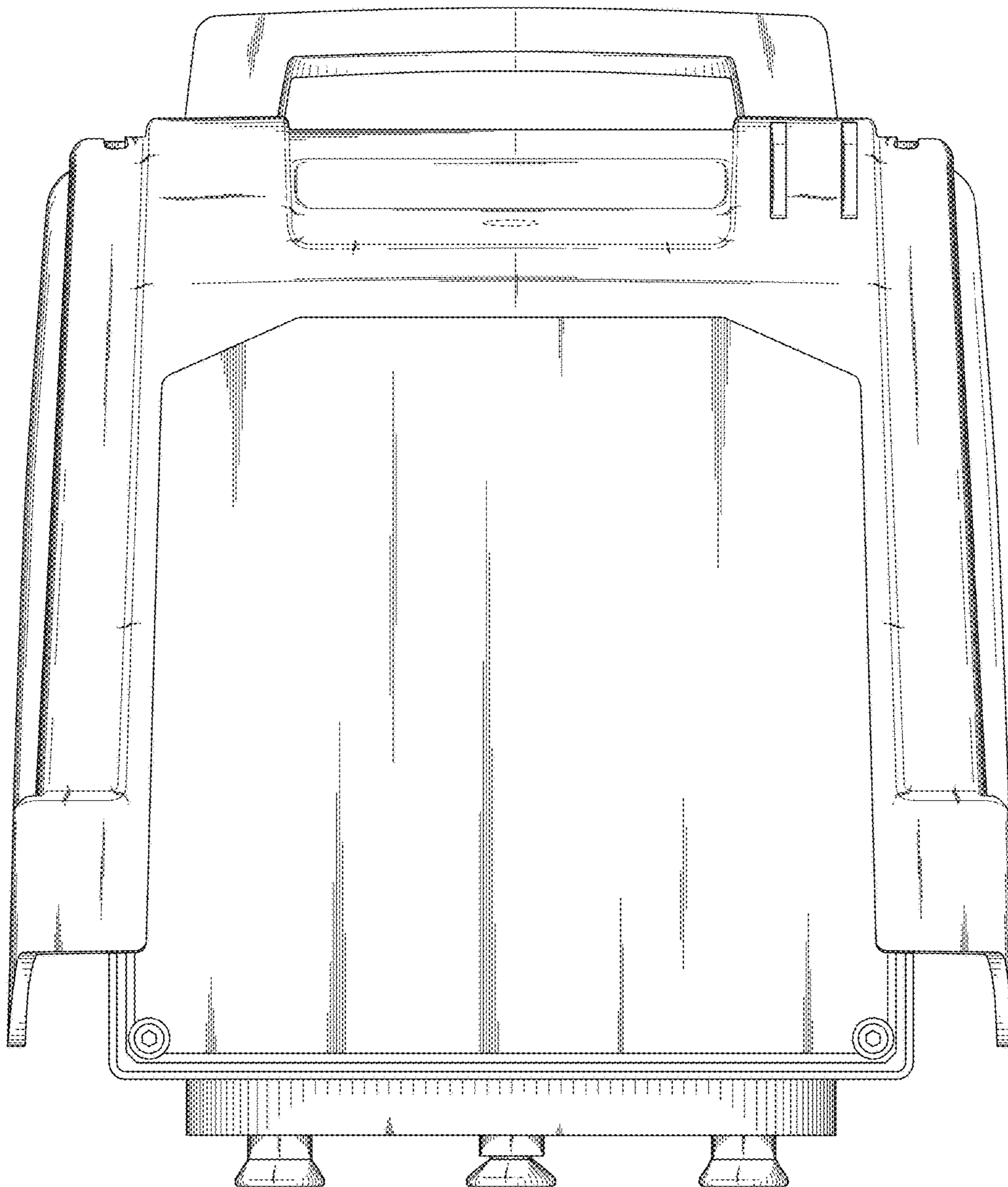
U.S. PATENT DOCUMENTS

D552,282 S	*	10/2007	Guercio .....	D26/63
D565,223 S	*	3/2008	Guercio .....	D26/63
D618,374 S	*	6/2010	Guercio .....	D26/128
D629,548 S	*	12/2010	Cai .....	D26/63
D643,147 S	*	8/2011	Guercio .....	D26/118
D646,428 S	*	10/2011	Gordin .....	D26/118
D664,695 S	*	7/2012	Herberholt .....	D26/63
D690,857 S	*	10/2013	Blincoe .....	D26/63
D735,384 S	*	7/2015	Ehsani .....	D26/63
D736,444 S	*	8/2015	Boudewyns .....	D26/63
D736,982 S	*	8/2015	Yasuji Fletcher .....	D26/63
D740,701 S	*	10/2015	Schulze .....	D10/70
D742,259 S	*	11/2015	Schulze .....	D10/70
D745,990 S	*	12/2015	Gebhard .....	D26/63
D751,745 S	*	3/2016	Wang .....	D26/63
D767,191 S	*	9/2016	DeMaio .....	D26/63

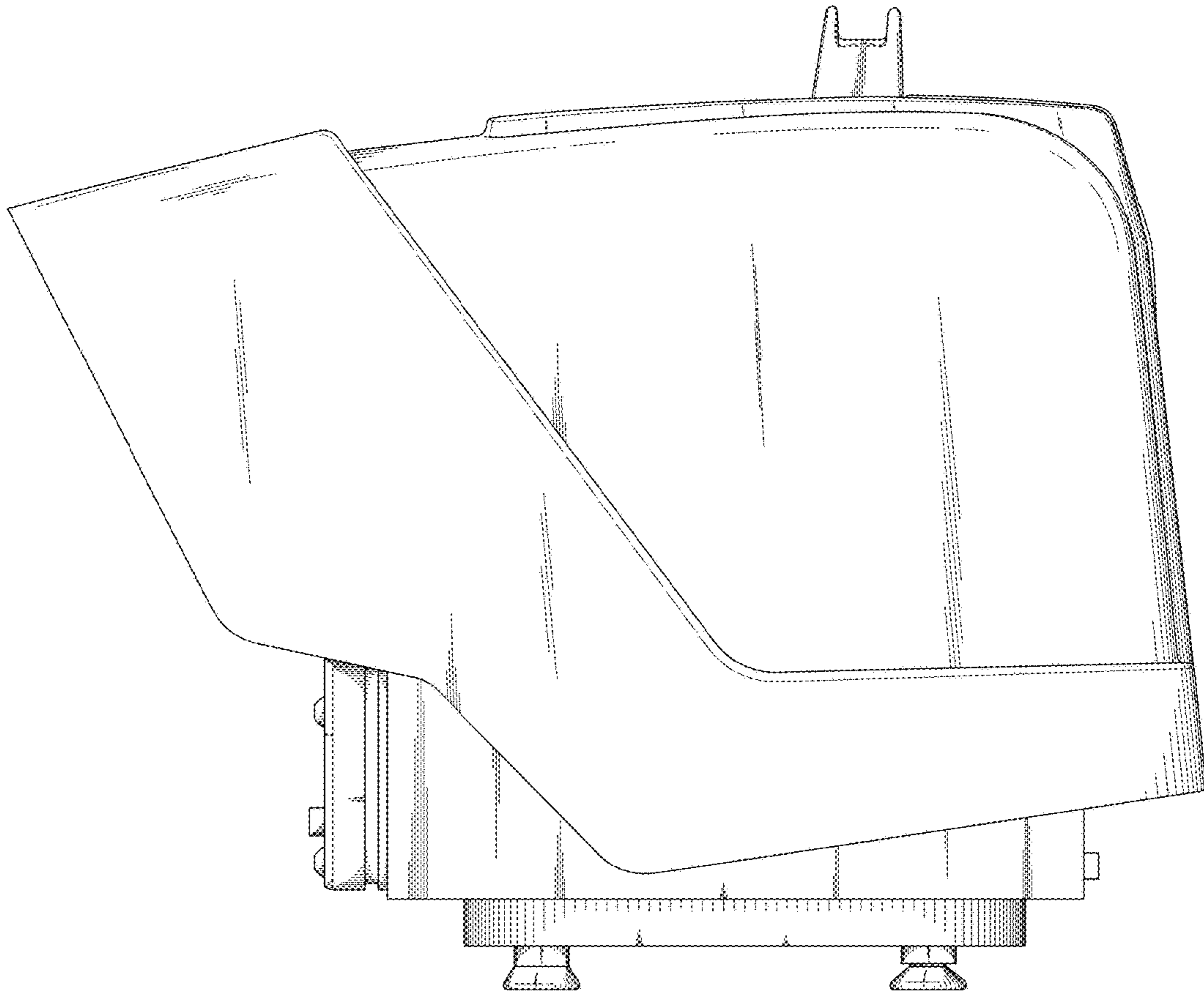
\* cited by examiner



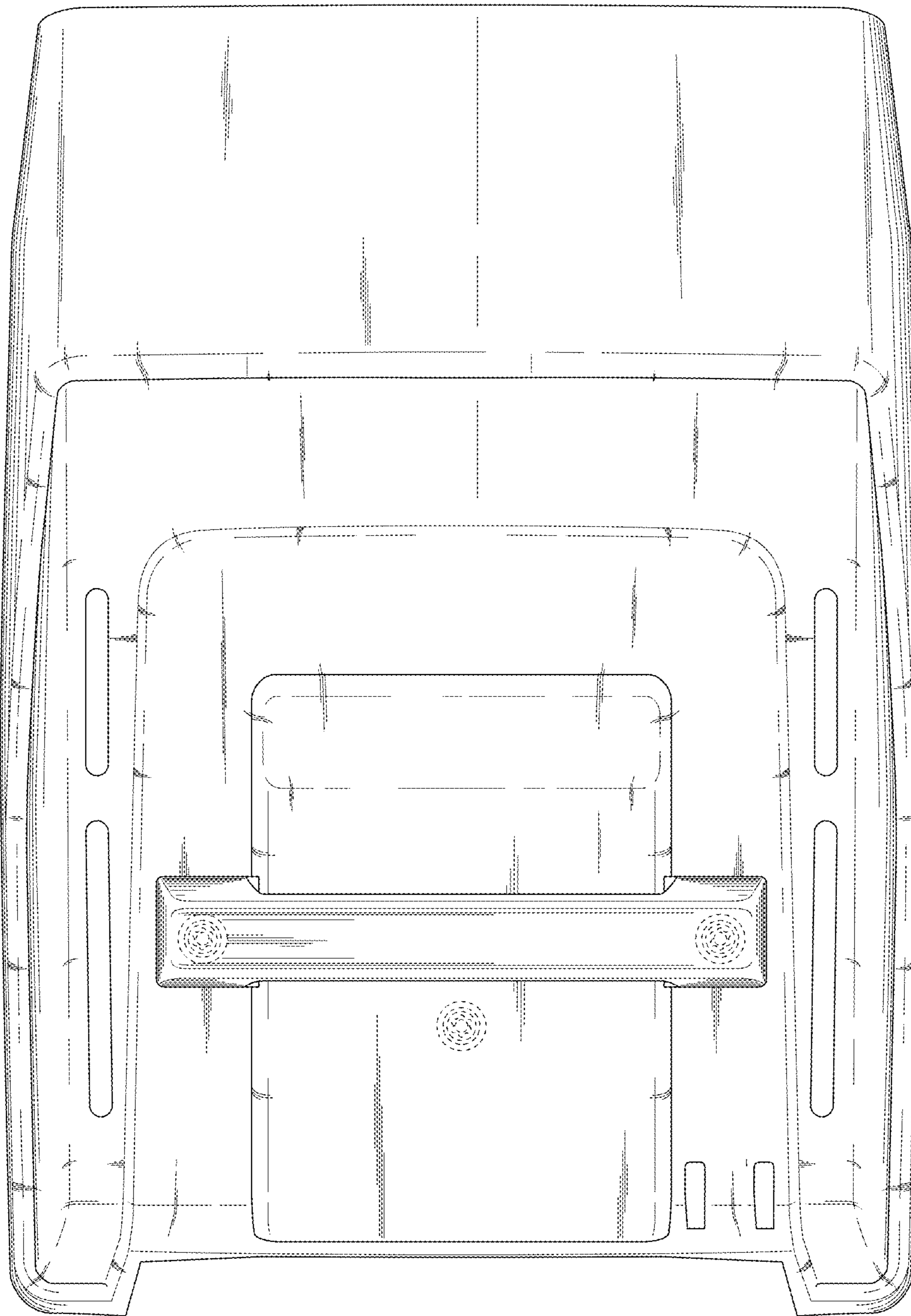
**FIG. 1**



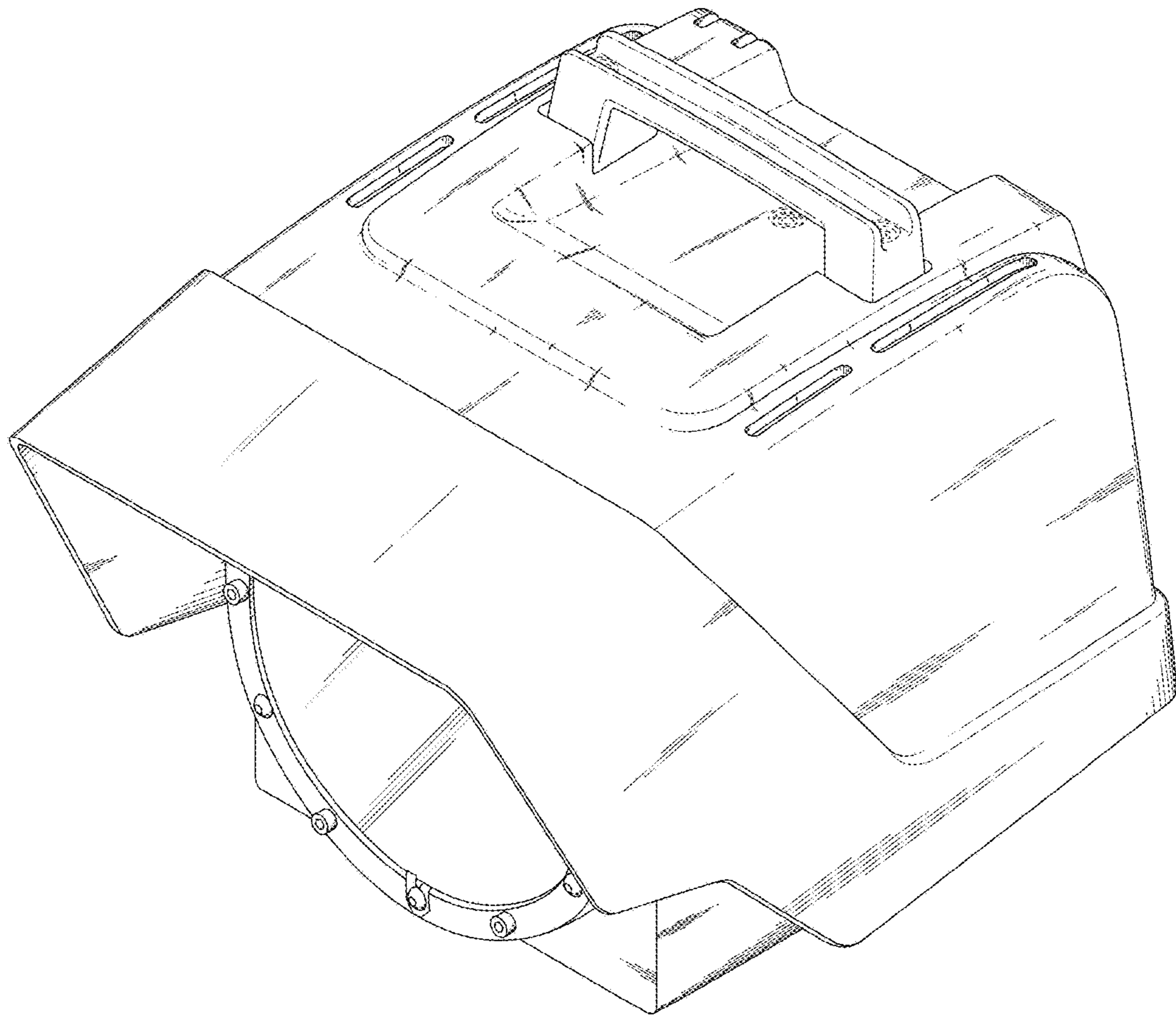
**FIG. 2**



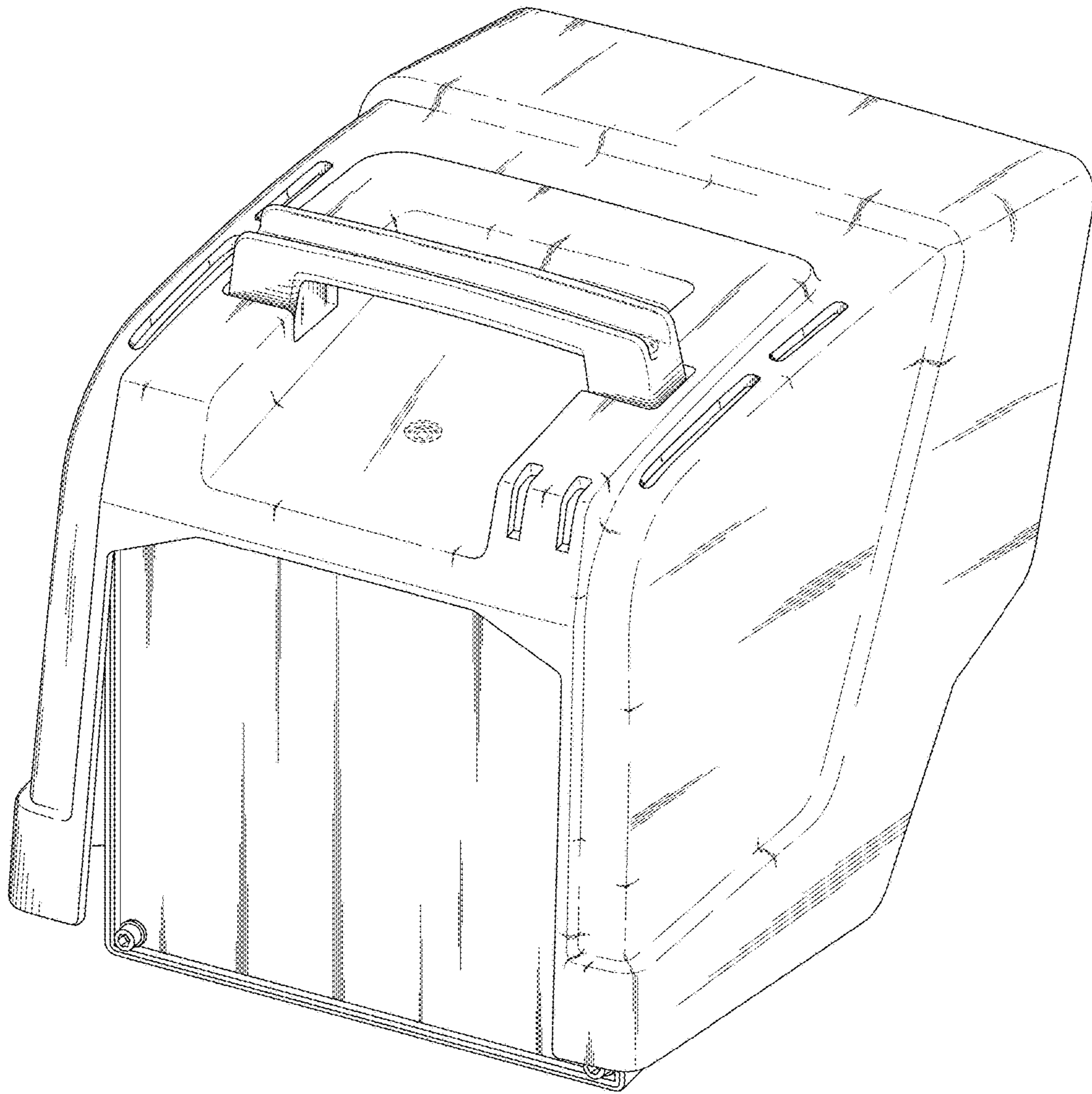
**FIG. 3**



**FIG. 4**



**FIG. 5**



**FIG. 6**