



US00D784595S

(12) **United States Design Patent**
Amato et al.

(10) **Patent No.:** **US D784,595 S**

(45) **Date of Patent:** **** Apr. 18, 2017**

(54) **LIGHTING FIXTURE**

(71) Applicant: **The Urban Electric Company**, North Charleston, SC (US)

(72) Inventors: **Michael Amato**, Johns Island, SC (US); **David Dawson**, Charleston, SC (US); **Jonathan Charpia**, Summerville, SC (US); **Christopher Roof**, Charleston, SC (US); **Joeangel Casanova**, North Charleston, SC (US); **Courteney Salisbury**, Mount Pleasant, SC (US); **Brianna Magagnoli**, Charleston, SC (US)

(73) Assignee: **THE URBAN ELECTRIC COMPANY**, North Charleston, SC (US)

(**) Term: **15 Years**

(21) Appl. No.: **29/551,234**

(22) Filed: **Jan. 12, 2016**

(51) **LOC (10) Cl.** **26-03**

(52) **U.S. Cl.**

USPC **D26/85; D26/87**

(58) **Field of Classification Search**

USPC D26/72, 76, 85, 86, 87, 118, 120, 141, D26/145, 155

CPC F21S 8/03; F21S 8/035; F21S 8/036; F21S 8/037; F21V 1/146; F21V 3/0409; F21V 7/043; F21V 7/05; F21V 7/06

See application file for complete search history.

(56) **References Cited**

U.S. PATENT DOCUMENTS

D130,449 S * 11/1941 Weber D26/76
D161,950 S * 2/1951 McMath et al. D26/72

D311,596 S * 10/1990 Herst D26/76
D351,482 S * 10/1994 Johnson D26/113
D381,760 S * 7/1997 Costa D26/76
D383,238 S * 9/1997 Chen D26/87
D411,030 S * 6/1999 Chen D26/87
D421,505 S * 3/2000 Hastings D26/76
D422,374 S * 4/2000 Spitler D26/119
D423,133 S * 4/2000 Spitler D26/86
D423,134 S * 4/2000 Spitler D26/86
D468,473 S * 1/2003 Shemitz D26/76
D511,222 S * 11/2005 Hetfield D26/76

* cited by examiner

Primary Examiner — Clare E Heflin

(74) *Attorney, Agent, or Firm* — Richard A. Brisbin; Haynsworth Sinkler Boyd, P.A.

(57) **CLAIM**

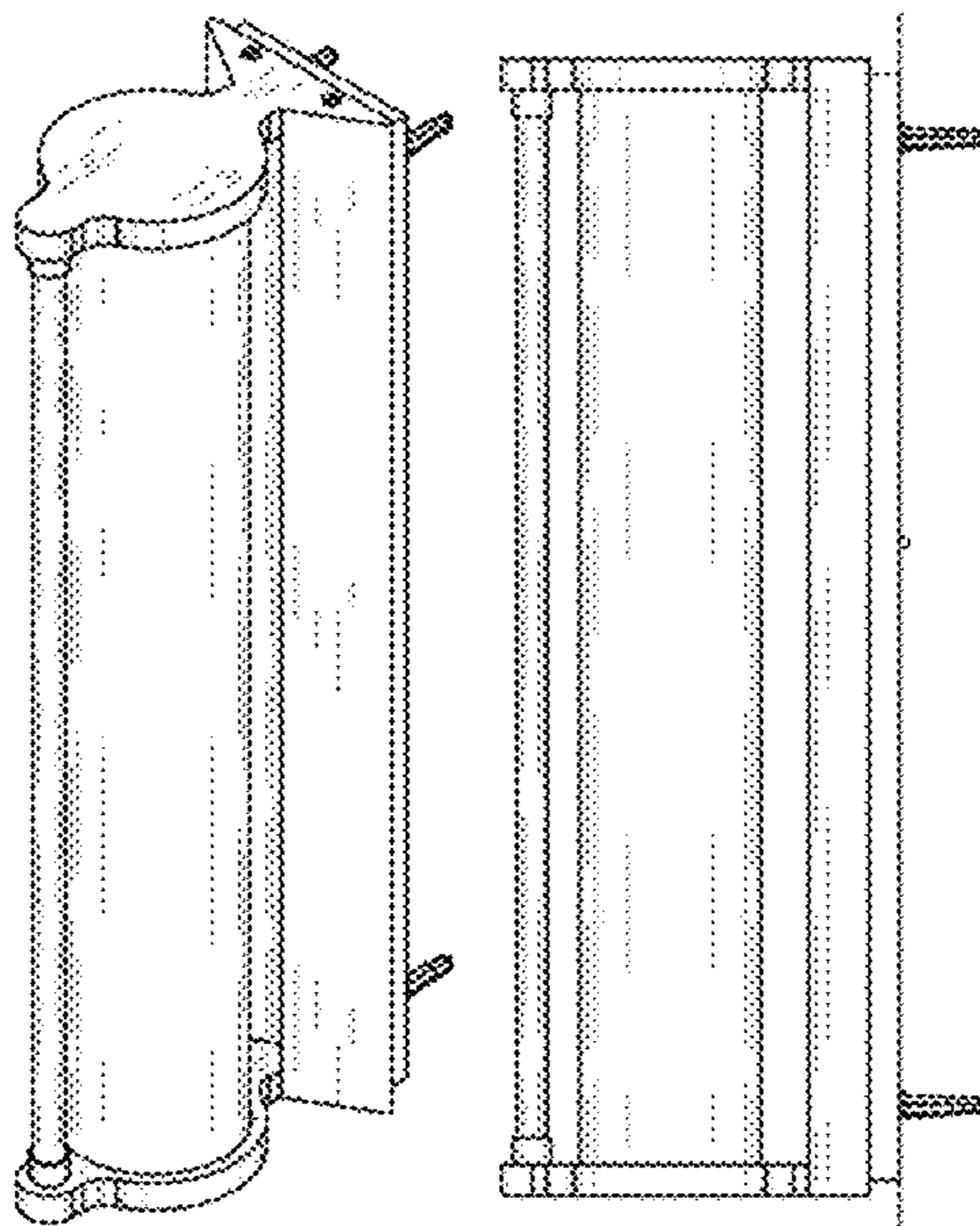
The ornamental design for a lighting fixture, as shown and described.

DESCRIPTION

FIG. 1 is a perspective view of a new lighting fixture design; FIG. 2 is a front elevational view thereof; FIG. 3 is a right side elevational view thereof; FIG. 4 is a left side elevational view thereof; FIG. 5 is a top plan view thereof; FIG. 6 is a bottom plan view thereof; FIG. 7 is a back perspective view thereof; and, FIG. 8 is a back elevational view thereof.

The broken line disclosure in the views represents environmental structure which forms no part of the claimed design.

1 Claim, 8 Drawing Sheets



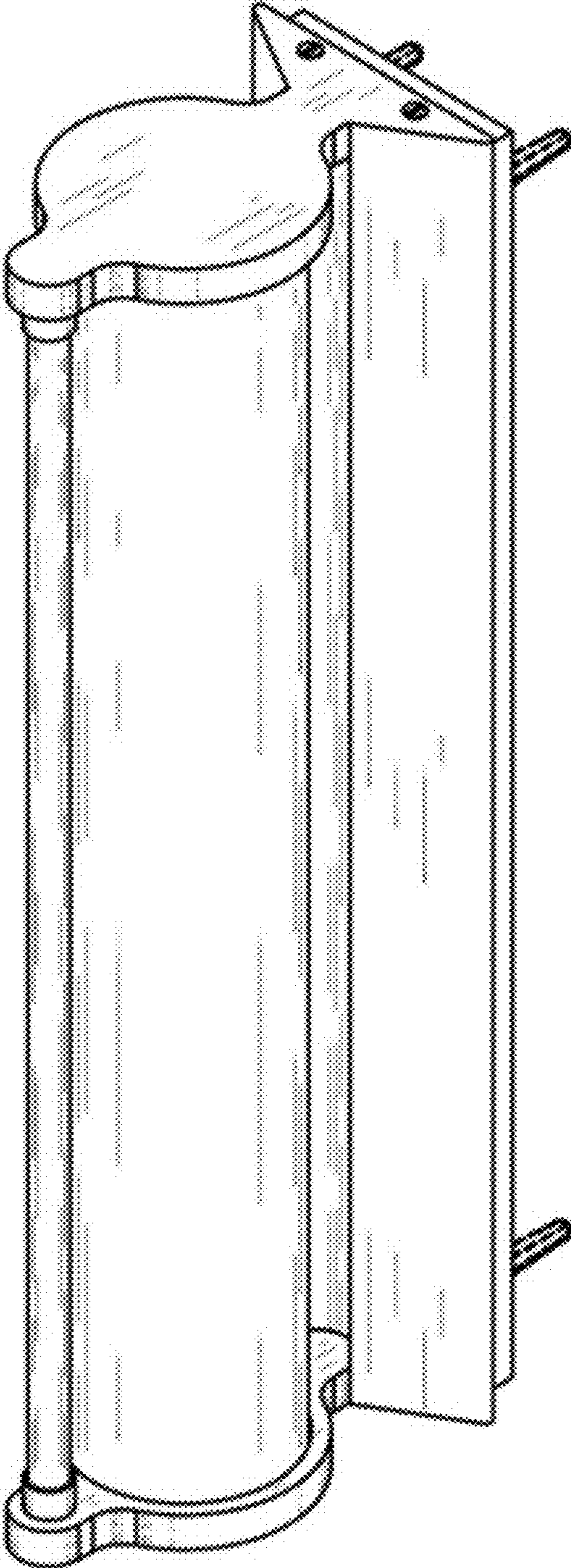


FIG. 1

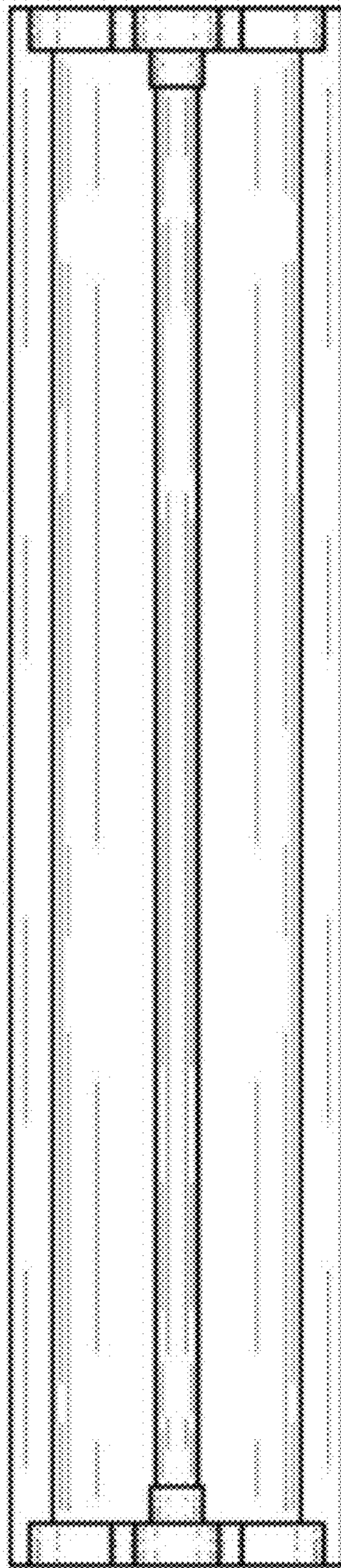


FIG. 2

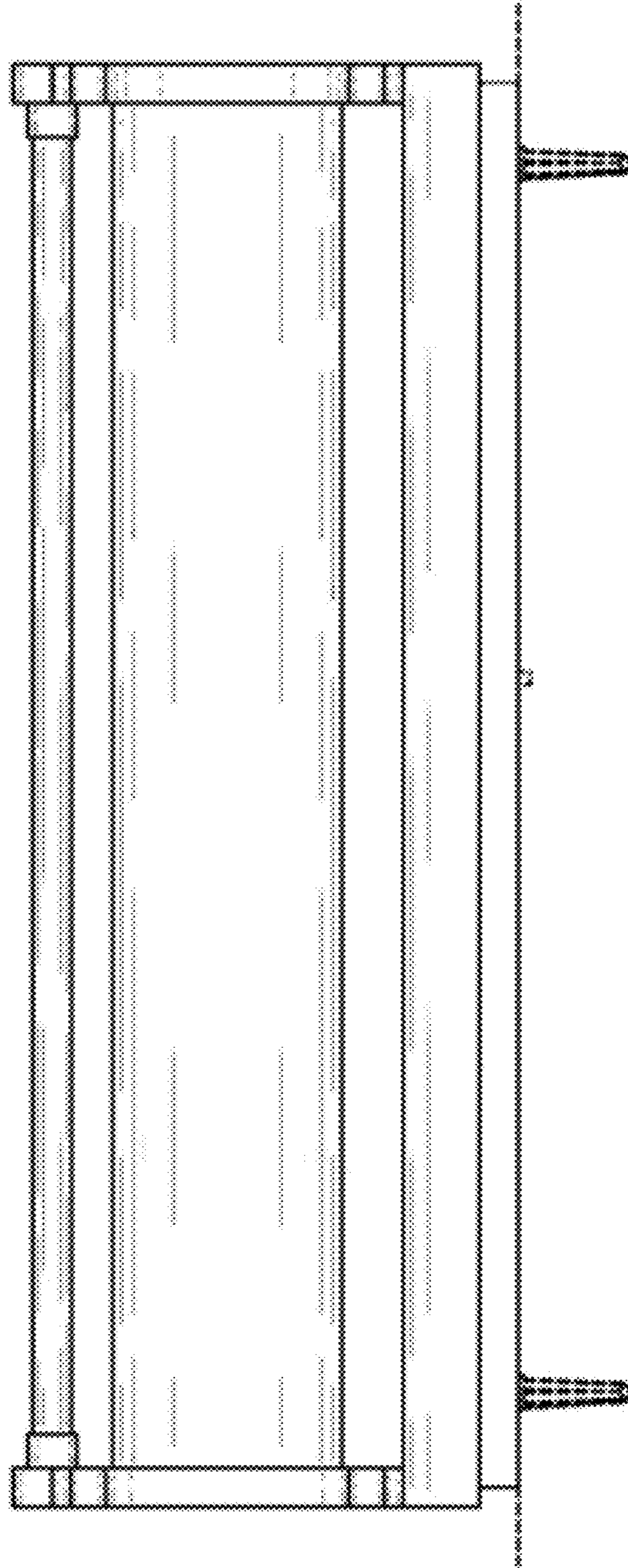


FIG. 3

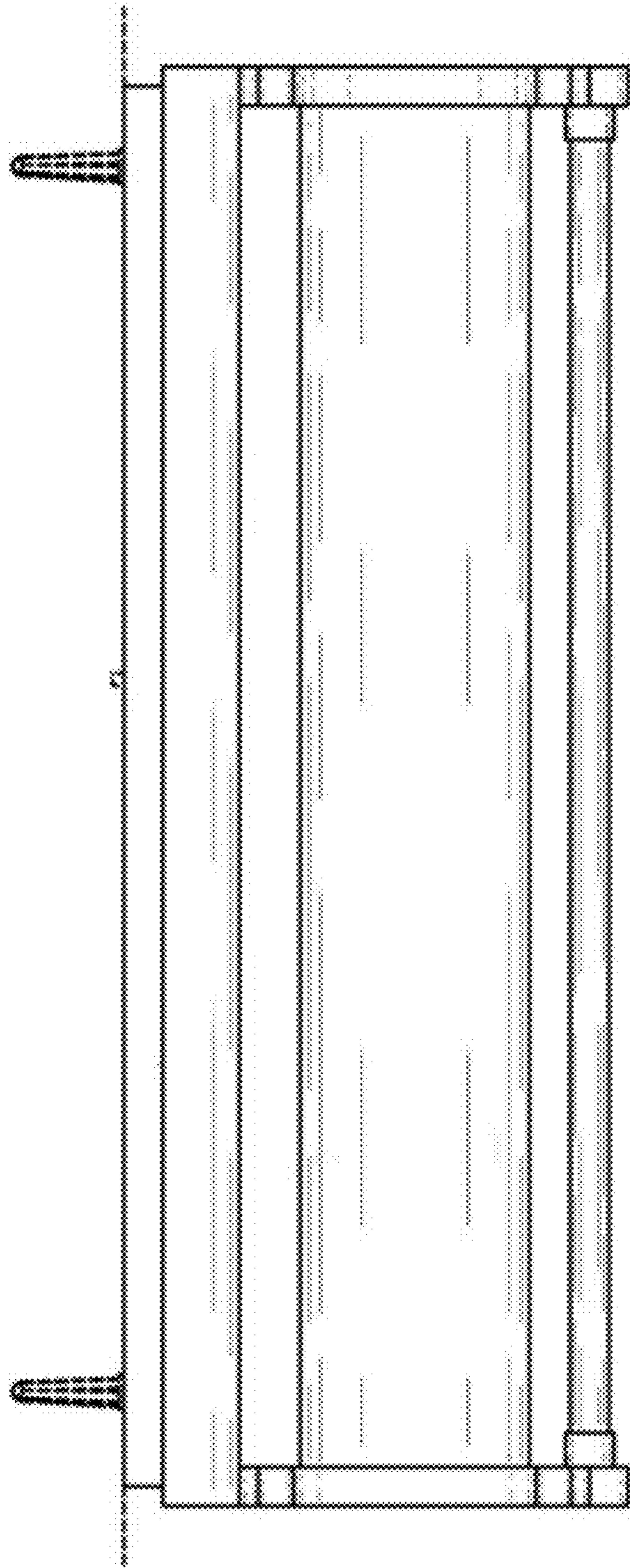


FIG. 4

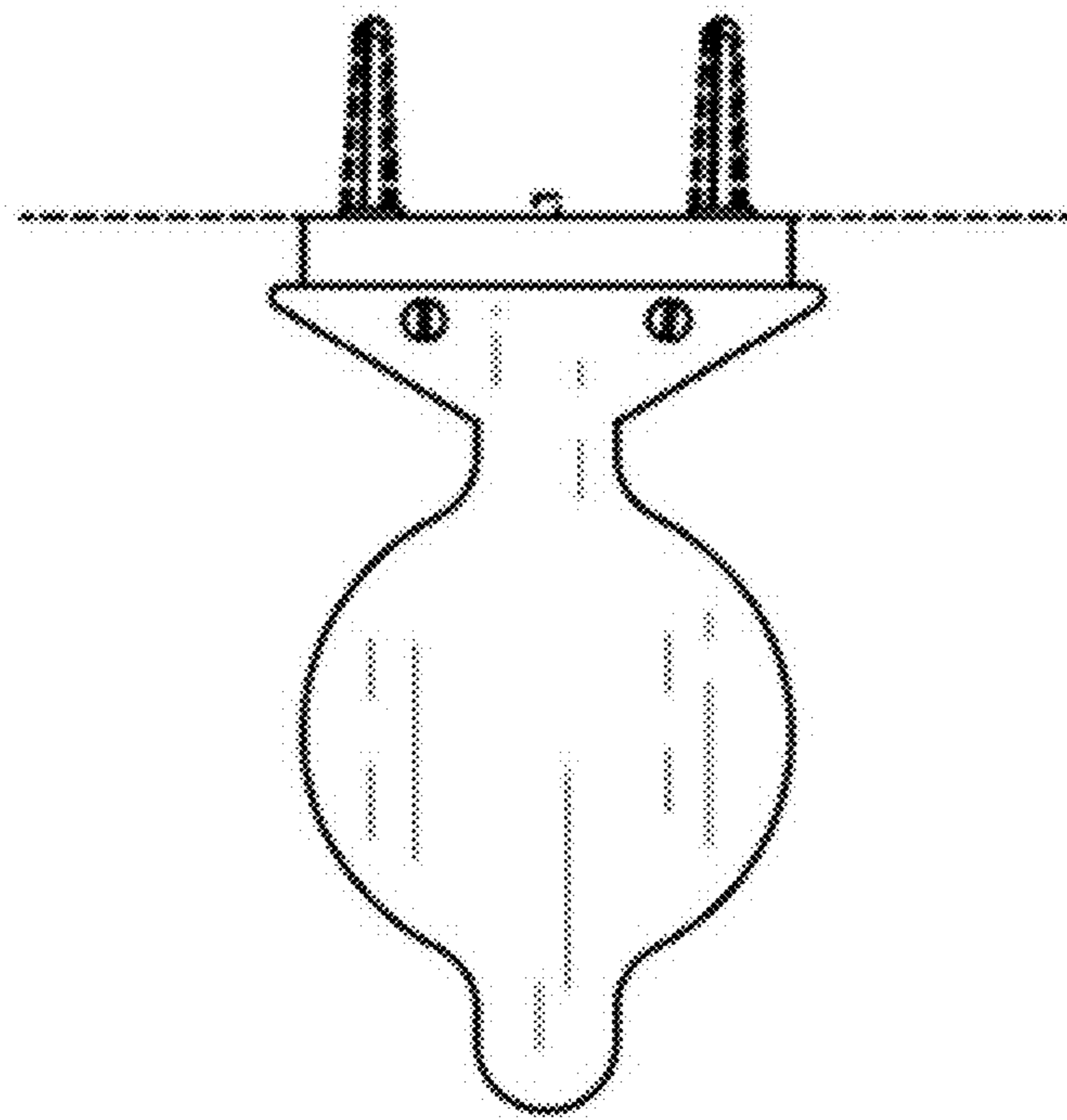


FIG. 5

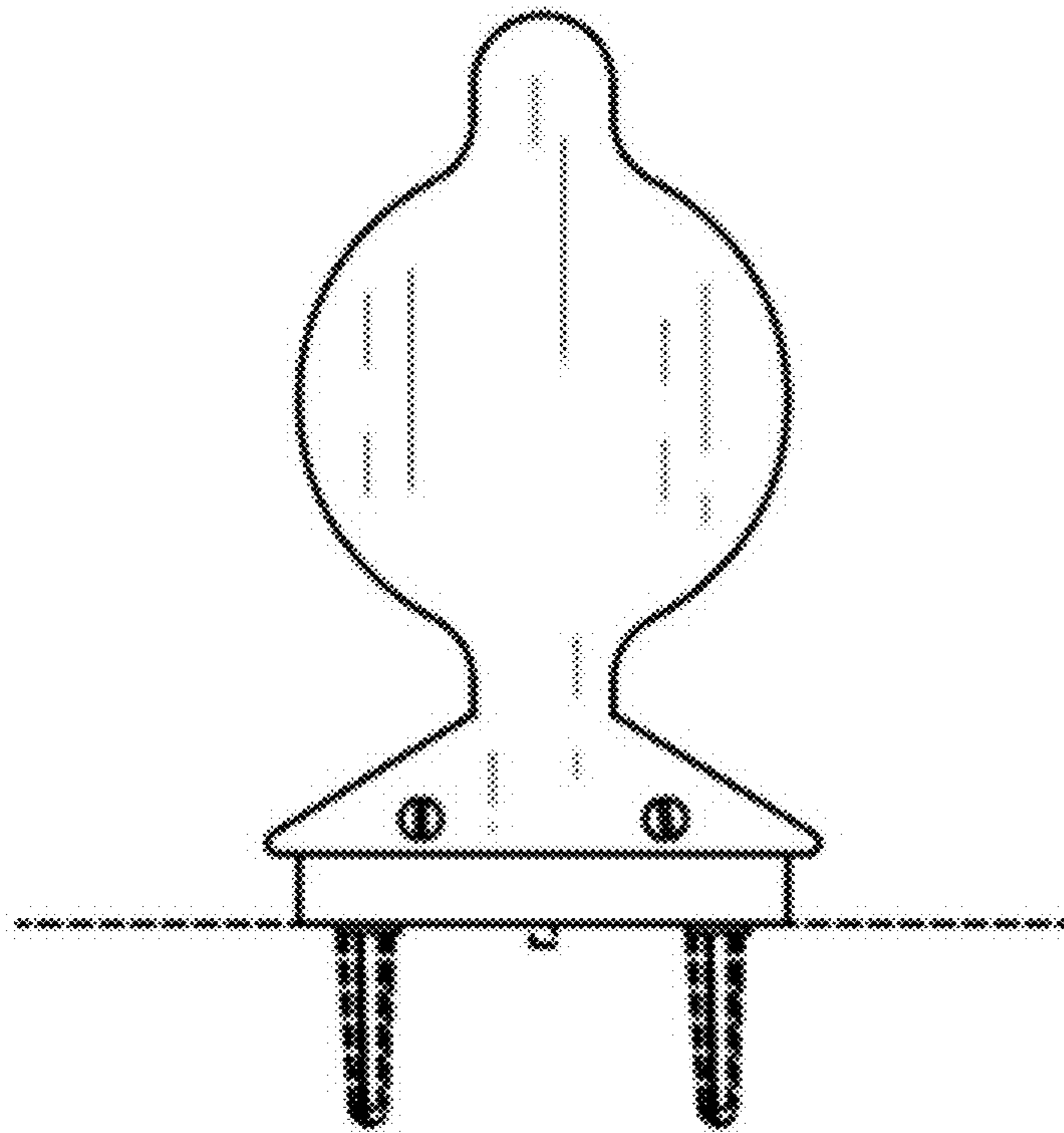


FIG. 6

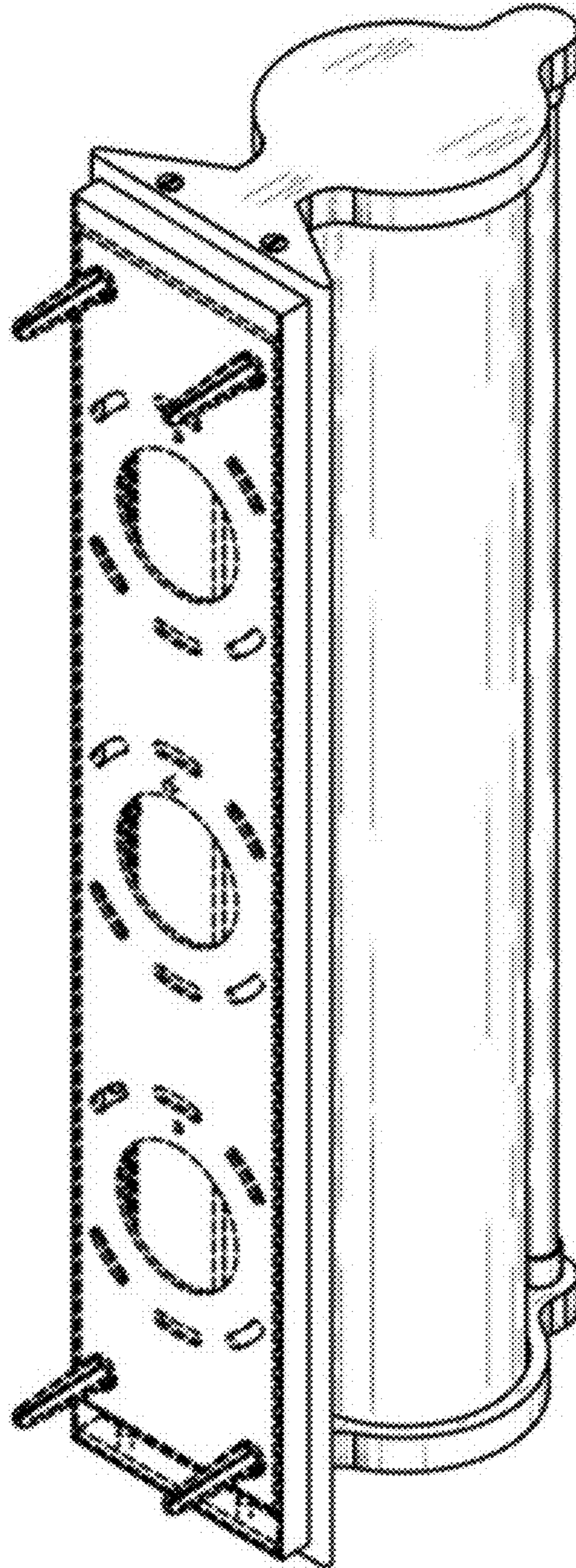


FIG. 7

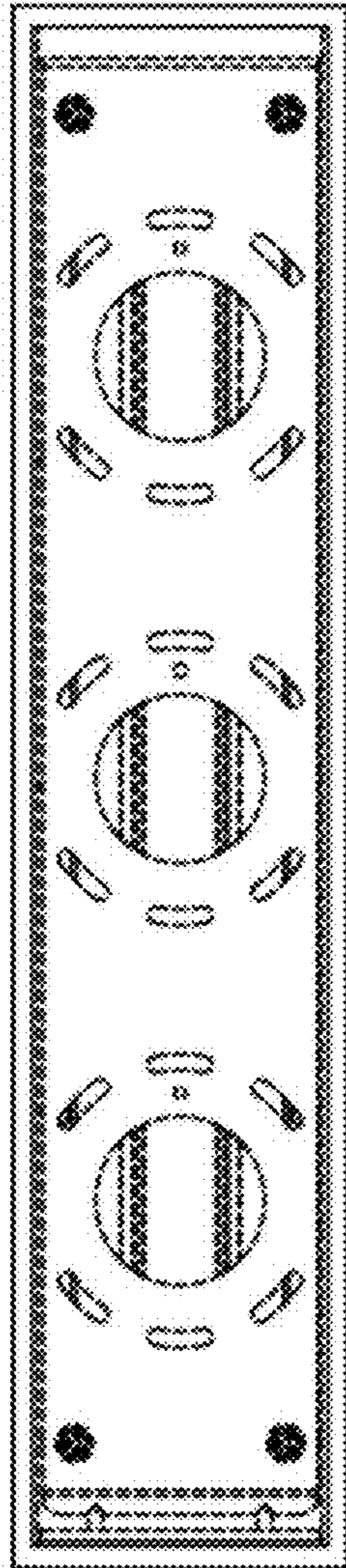


FIG. 8