



US00D784594S

(12) **United States Design Patent**
Stolte

(10) **Patent No.:** **US D784,594 S**

(45) **Date of Patent:** **** Apr. 18, 2017**

(54) **LIGHTING FIXTURE**

(71) Applicant: **KENALL MANUFACTURING COMPANY**, Kenosha, WI (US)

(72) Inventor: **Brandon Stolte**, Lindenhurst, IL (US)

(73) Assignee: **KENALL MANUFACTURING COMPANY**, Kenosha, WI (US)

(**) Term: **15 Years**

(21) Appl. No.: **29/560,162**

(22) Filed: **Apr. 4, 2016**

Related U.S. Application Data

(62) Division of application No. 29/538,180, filed on Sep. 1, 2015, now Pat. No. Des. 757,981, which is a division of application No. 29/483,032, filed on Feb. 25, 2014, now Pat. No. Des. 743,085.

(51) **LOC (10) Cl.** **26-03**

(52) **U.S. Cl.**
USPC **D26/76; D26/89**

(58) **Field of Classification Search**
USPC D26/28, 75, 76, 80-91, 118
CPC F21S 9/02; F21S 8/033; F21S 8/03; F21S 8/06; F21S 8/061; F21S 8/063; F21S 8/065; F21S 8/068; F21V 3/0418; F21V 3/0427; F21V 3/0436; F21V 3/0445; F21V 21/008; F21V 21/104; F21L 13/00
See application file for complete search history.

(56) **References Cited**

U.S. PATENT DOCUMENTS

D110,165 S 6/1938 Arenberg
D122,582 S 9/1940 Biller
D122,709 S 9/1940 Korengold
D123,762 S 12/1940 Pieper

D125,559 S 3/1941 Biller
D129,836 S 10/1941 Koegel
D166,093 S 3/1952 McPhail
D168,974 S 3/1953 Spaulding
D180,532 S 6/1957 Stevens
D180,533 S 6/1957 Stevens
D180,536 S 6/1957 Stevens
D186,129 S 9/1959 Spaulding
D266,578 S 10/1982 Moshier
D294,302 S 2/1988 Littrell et al.
D330,438 S 10/1992 Herst et al.
D334,821 S 4/1993 Morgan
D507,373 S 7/2005 Kim

(Continued)

Primary Examiner — Clare E Heflin

(74) *Attorney, Agent, or Firm* — Marshall, Gerstein & Borun LLP

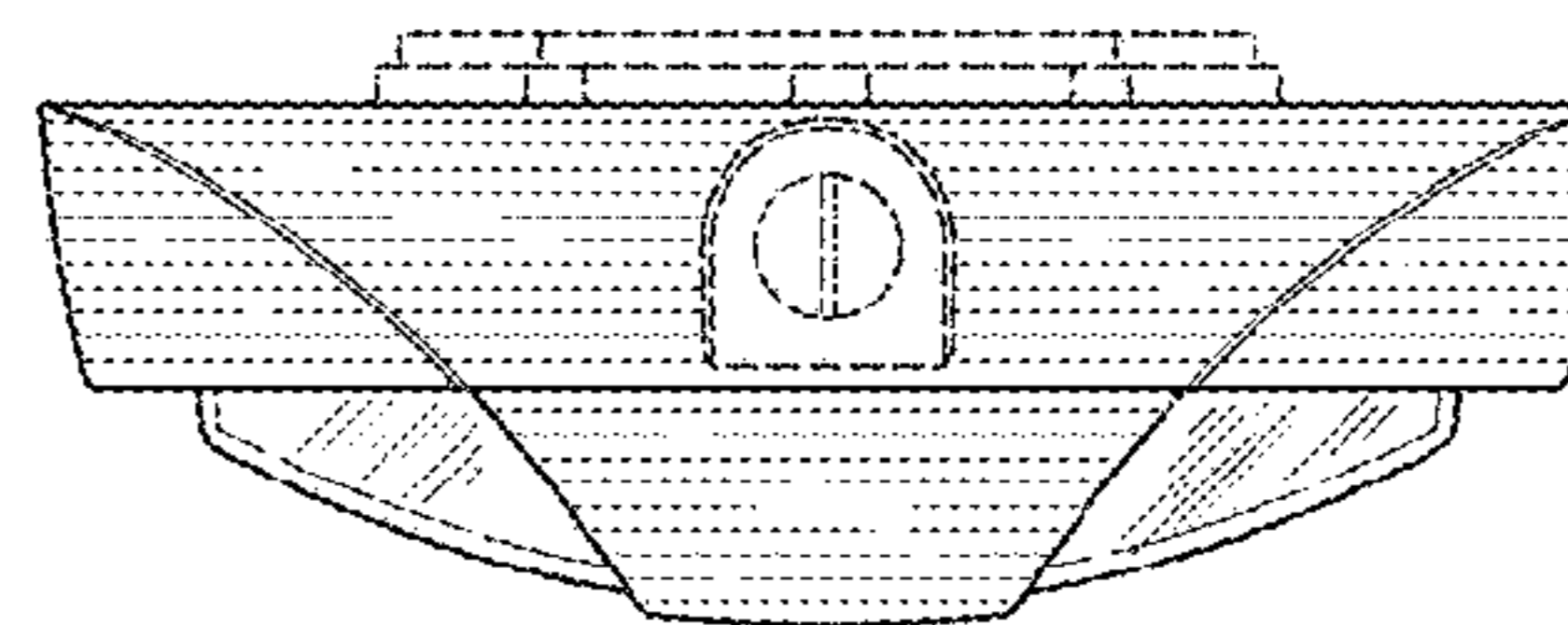
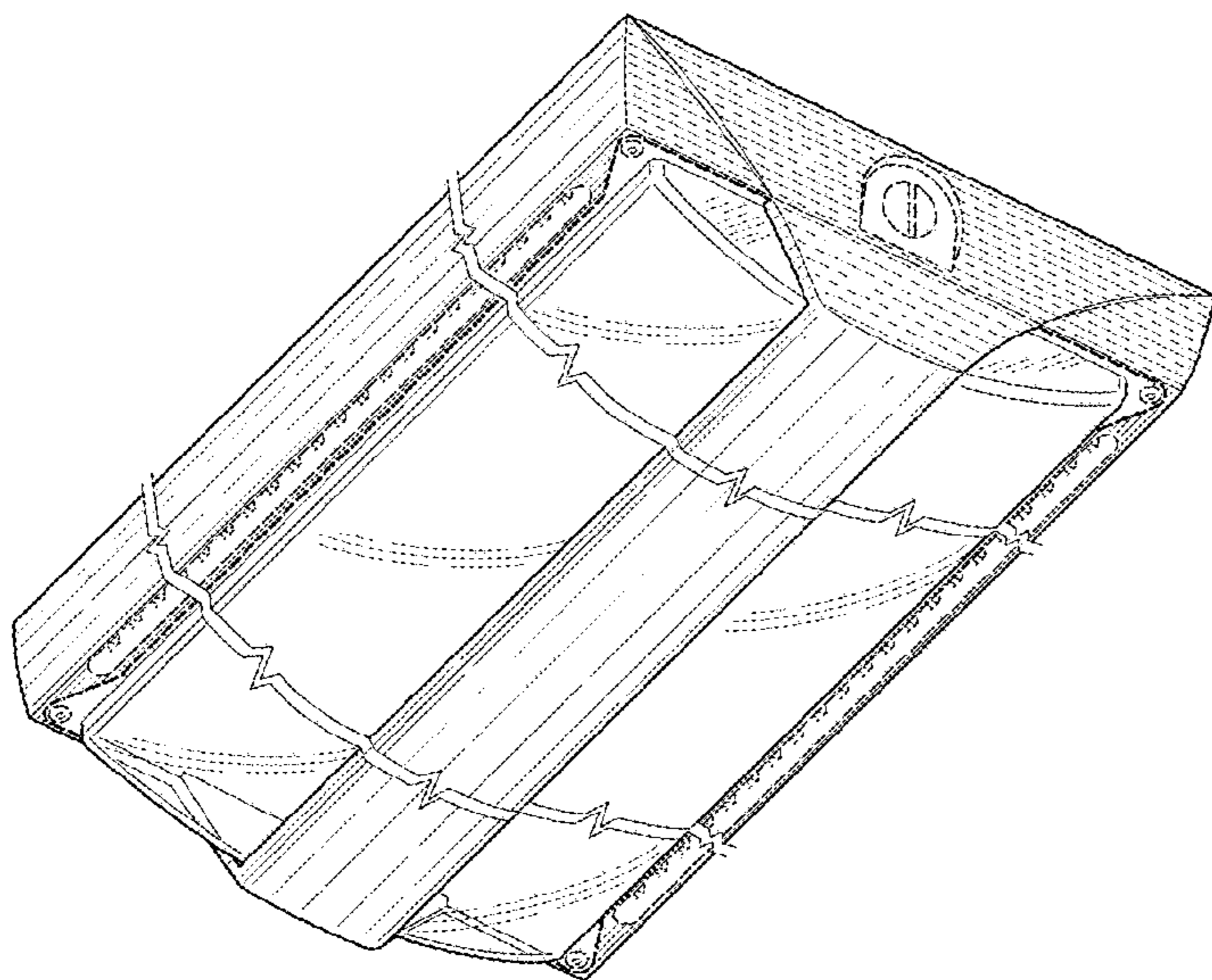
(57) **CLAIM**

The ornamental design for a lighting fixture, as shown and described.

DESCRIPTION

FIG. 1 is a perspective view showing a new design for a lighting fixture;
FIG. 2 is a bottom view of the lighting fixture of FIG. 1;
FIG. 3 is a top view of the lighting fixture of FIG. 1;
FIG. 4 is a left-side view of the lighting fixture of FIG. 1;
FIG. 5 is a right-side view of the lighting fixture of FIG. 1;
FIG. 6 is a front view of the lighting fixture of FIG. 1; and,
FIG. 7 is a rear view of the lighting fixture of FIG. 1.
The dashed lines showing portions of the lighting fixture are included for the purpose of illustrating environment and form no part of the claimed design.
The symbolic break in the drawings is understood to represent a continuation of the design uniformly along a non-specified length. The appearance of any portion of the article between the break lines forms no part of the claimed design.

1 Claim, 5 Drawing Sheets



(56)

References Cited

U.S. PATENT DOCUMENTS

D603,549 S	11/2009	Ng	
D606,229 S	12/2009	Johansen et al.	
D617,935 S	6/2010	Miletich et al.	
D649,673 S	11/2011	Liang et al.	
D679,440 S	4/2013	Smith	
D728,140 S	4/2015	Lay et al.	
D735,393 S *	7/2015	Hennessey	D26/89
D743,085 S	11/2015	Stolte	
D743,611 S	11/2015	Wouters et al.	
D753,865 S *	4/2016	Waldmann	D26/76
D757,330 S *	5/2016	Sieczkowski	D26/85
D757,331 S *	5/2016	Sieczkowski	D26/76
D757,332 S *	5/2016	Sieczkowski	D26/76
D757,981 S *	5/2016	Stolte	D26/76
D757,985 S *	5/2016	Sieczkowski	D26/85
D765,299 S *	8/2016	Ladnier	D26/76

* cited by examiner

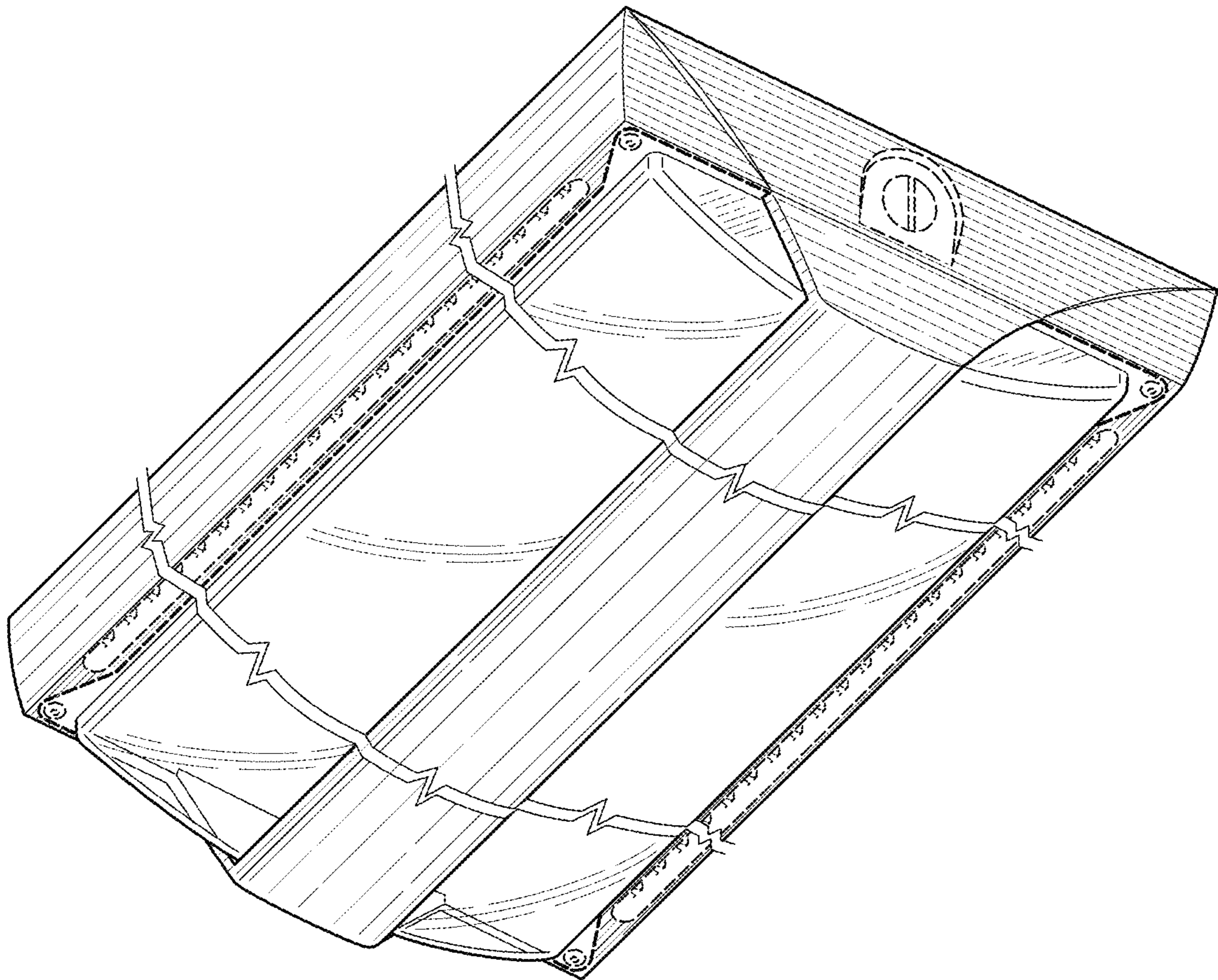


FIG. 1

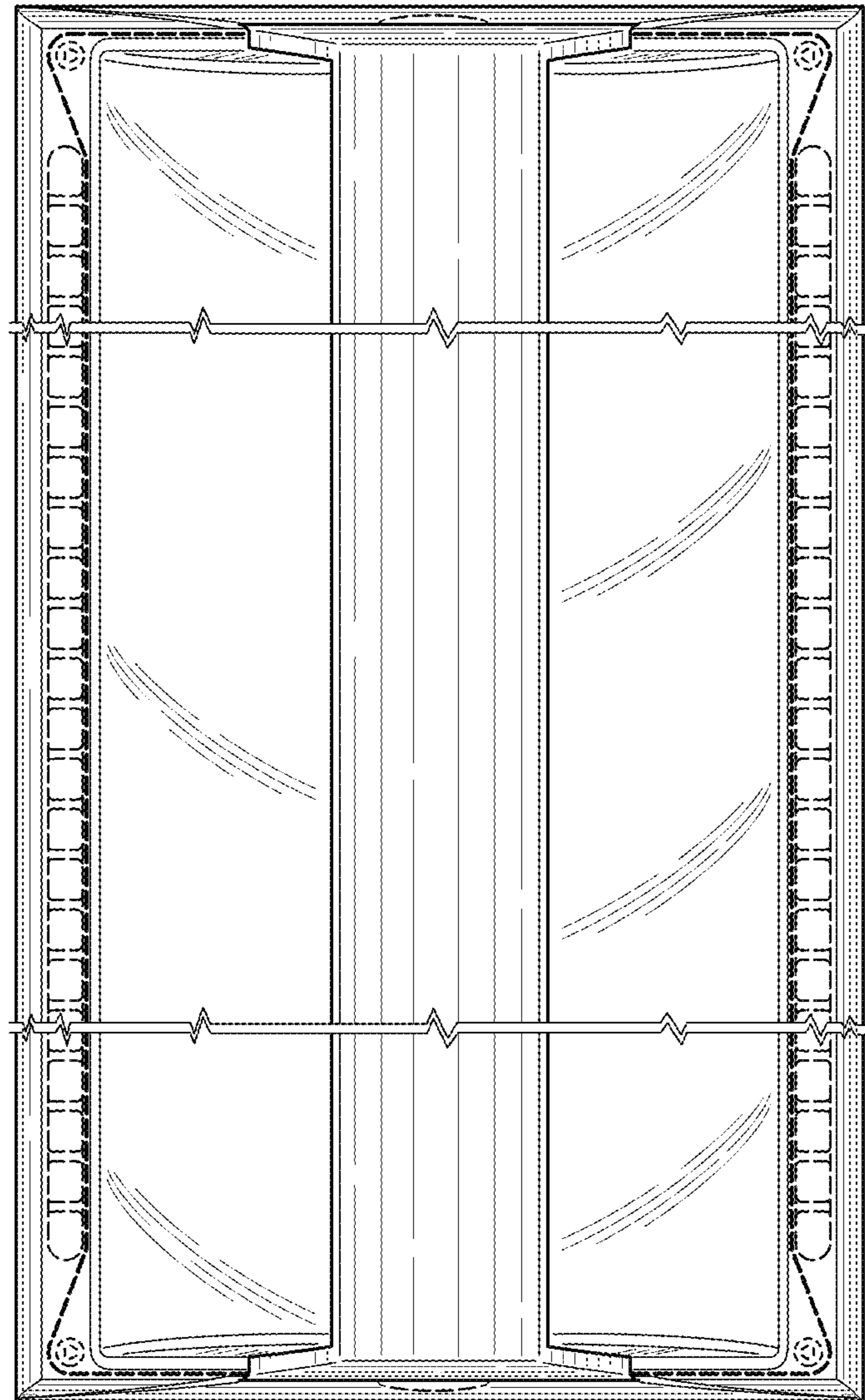


FIG. 2

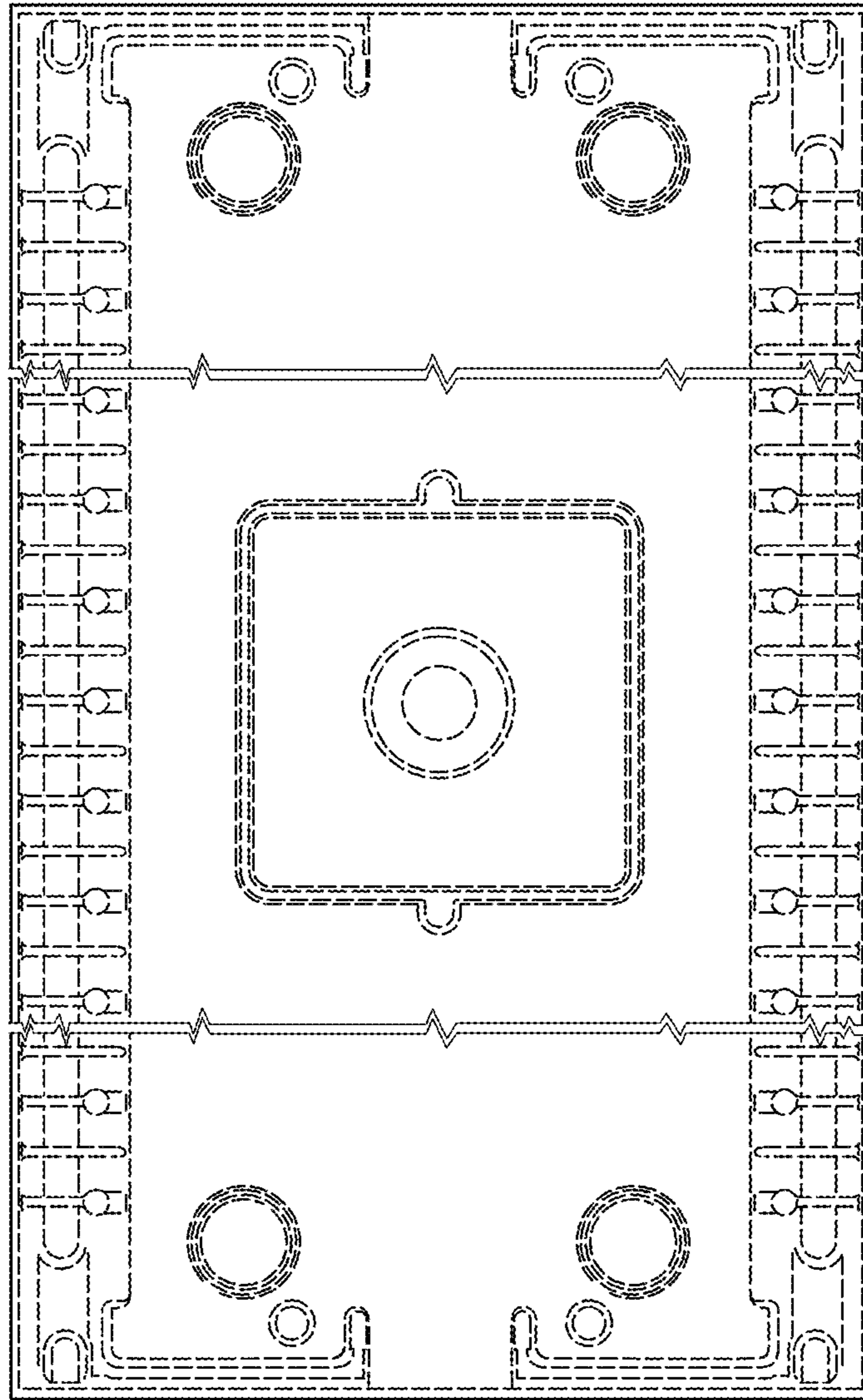


FIG. 3

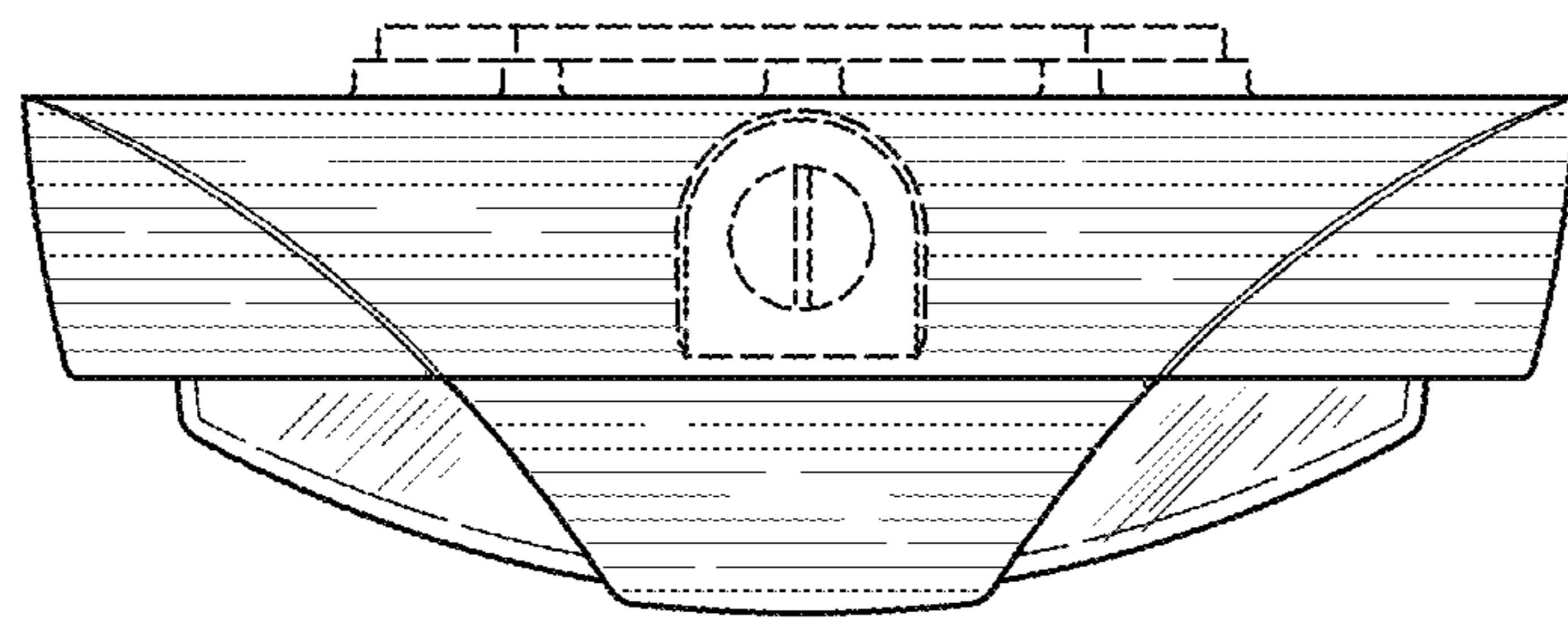


FIG. 4

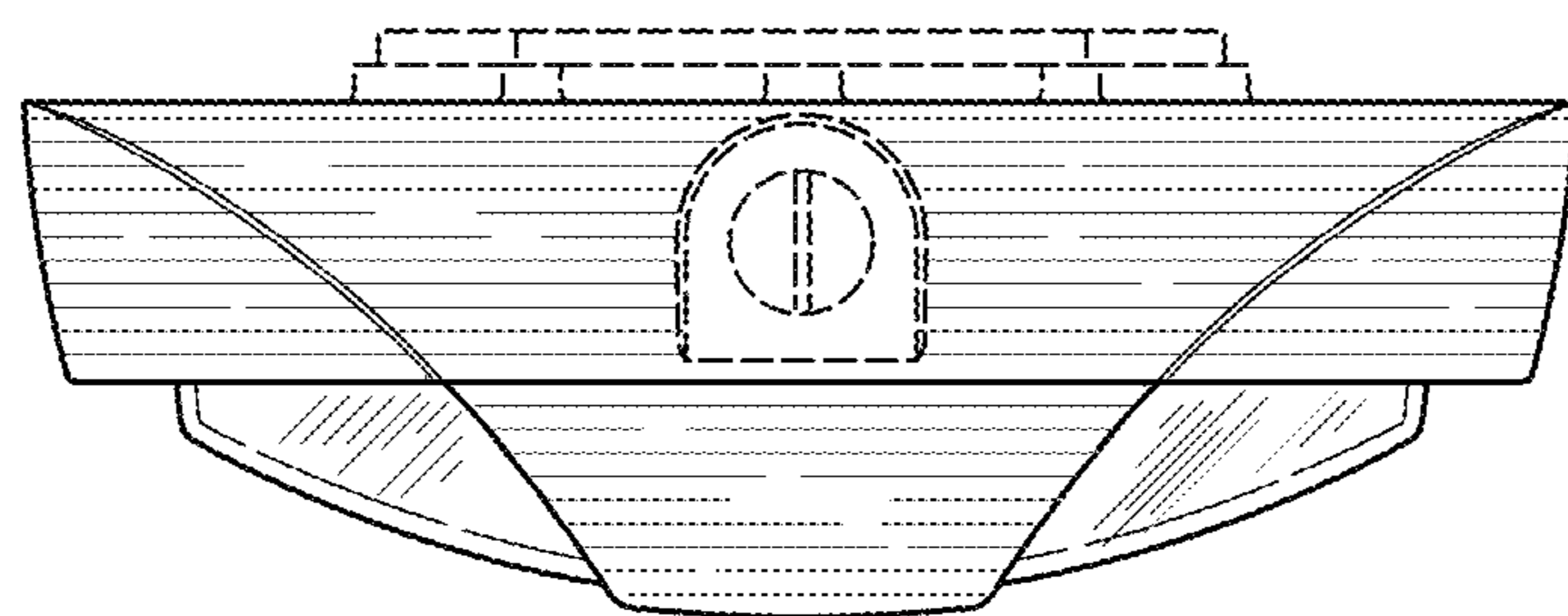


FIG. 5

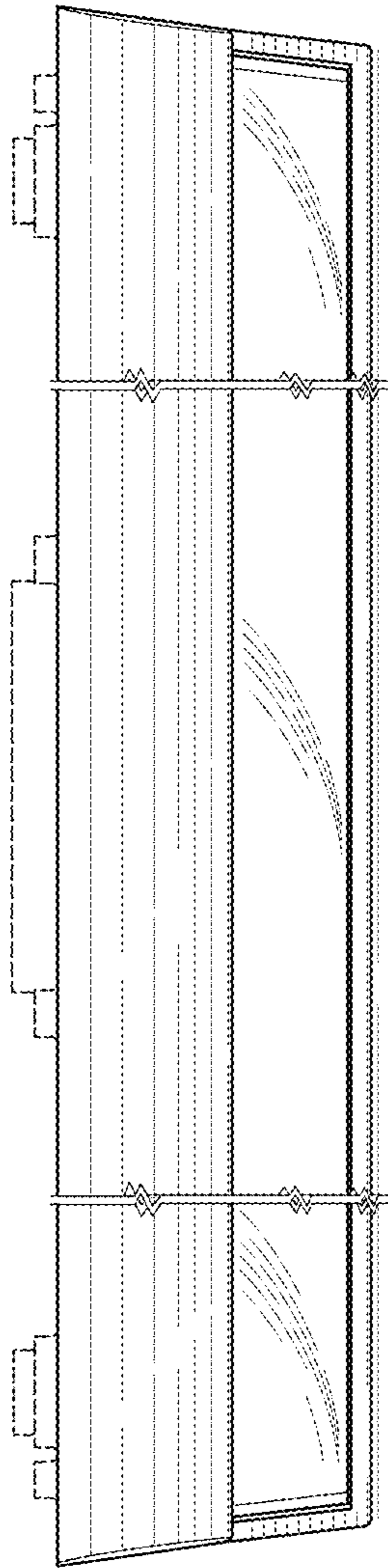


FIG. 6

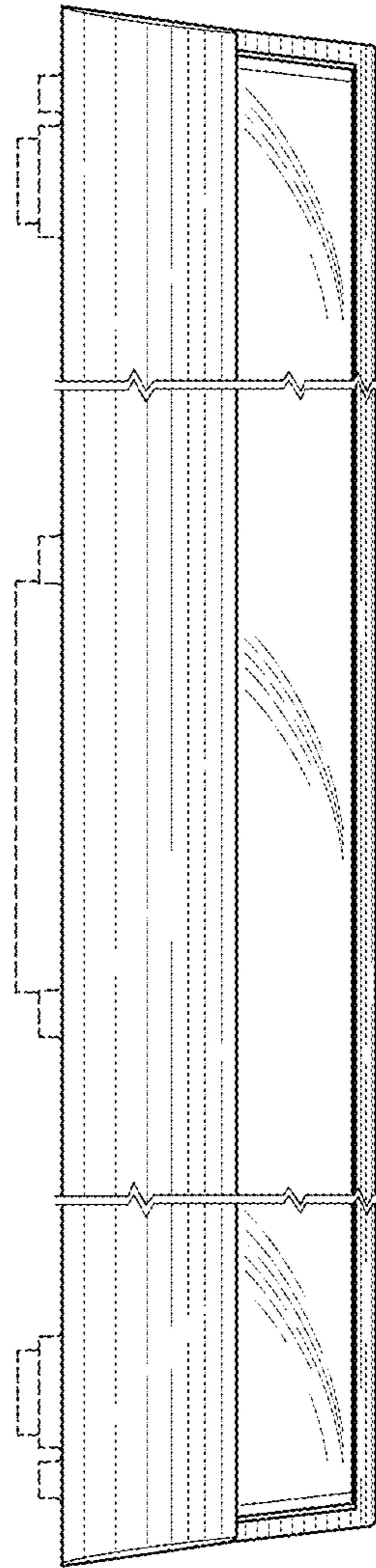


FIG. 7