



US00D784592S

(12) **United States Design Patent**  
**Gan**

(10) **Patent No.:** **US D784,592 S**

(45) **Date of Patent:** **\*\* Apr. 18, 2017**

- (54) **HIGH-POWER CEILING LAMP**
- (71) Applicant: **SNC OPTO ELECTRONIC CO., LTD**, Shenzhen (CN)
- (72) Inventor: **Zhoucong Gan**, Shenzhen (CN)
- (73) Assignee: **SNC OPTO ELECTRONIC CO., LTD**, Shenzhen (CN)
- (\*\*) Term: **15 Years**
- (21) Appl. No.: **29/555,796**
- (22) Filed: **Feb. 24, 2016**
- (51) **LOC (10) Cl.** ..... **26-05**
- (52) **U.S. Cl.**  
USPC ..... **D26/72; D26/89**
- (58) **Field of Classification Search**  
USPC .... D26/24, 63, 72, 80, 84, 88, 89, 118, 152  
CPC .... F21S 8/04; F21S 8/026; F21S 8/033; F21S 8/036; F21S 8/03; F21S 8/043; F21S 8/046; F21S 8/06; F21S 8/061; F21S 8/063; F21S 8/068; F21S 13/02; F21V 21/04; F21V 17/02; F21V 17/04; F21V 17/164  
See application file for complete search history.

- (56) **References Cited**  
U.S. PATENT DOCUMENTS  
4,827,386 A \* 5/1989 Mackiewicz ..... F21S 8/04 362/147  
D481,822 S \* 11/2003 Wang ..... D26/72  
D533,956 S \* 12/2006 Vladika ..... D26/118  
7,152,997 B1 \* 12/2006 Kovacic ..... F21V 21/06 362/191  
D551,379 S \* 9/2007 Maxik ..... D26/74

- D577,454 S \* 9/2008 Maxik ..... D26/63
- D640,821 S \* 6/2011 Kocks ..... D26/89
- 8,414,164 B2 \* 4/2013 Ogawa ..... F21S 8/043 362/294
- D684,718 S \* 6/2013 Ko ..... D26/72
- D691,762 S \* 10/2013 Sieczkowski ..... D26/89
- D705,471 S \* 5/2014 Kim ..... D26/72
- D742,055 S \* 10/2015 Marshal ..... D26/89
- D742,572 S \* 11/2015 Khayat et al. .... D26/63
- D744,684 S \* 12/2015 Guercio ..... D26/63
- 2011/0026249 A1 \* 2/2011 Wylde ..... F21S 8/086 362/240
- 2011/0110081 A1 \* 5/2011 Belknap ..... F21V 5/02 362/235
- 2014/0268830 A1 \* 9/2014 Boyer ..... F21V 21/14 362/382

\* cited by examiner

*Primary Examiner* — Clare E Hefflin

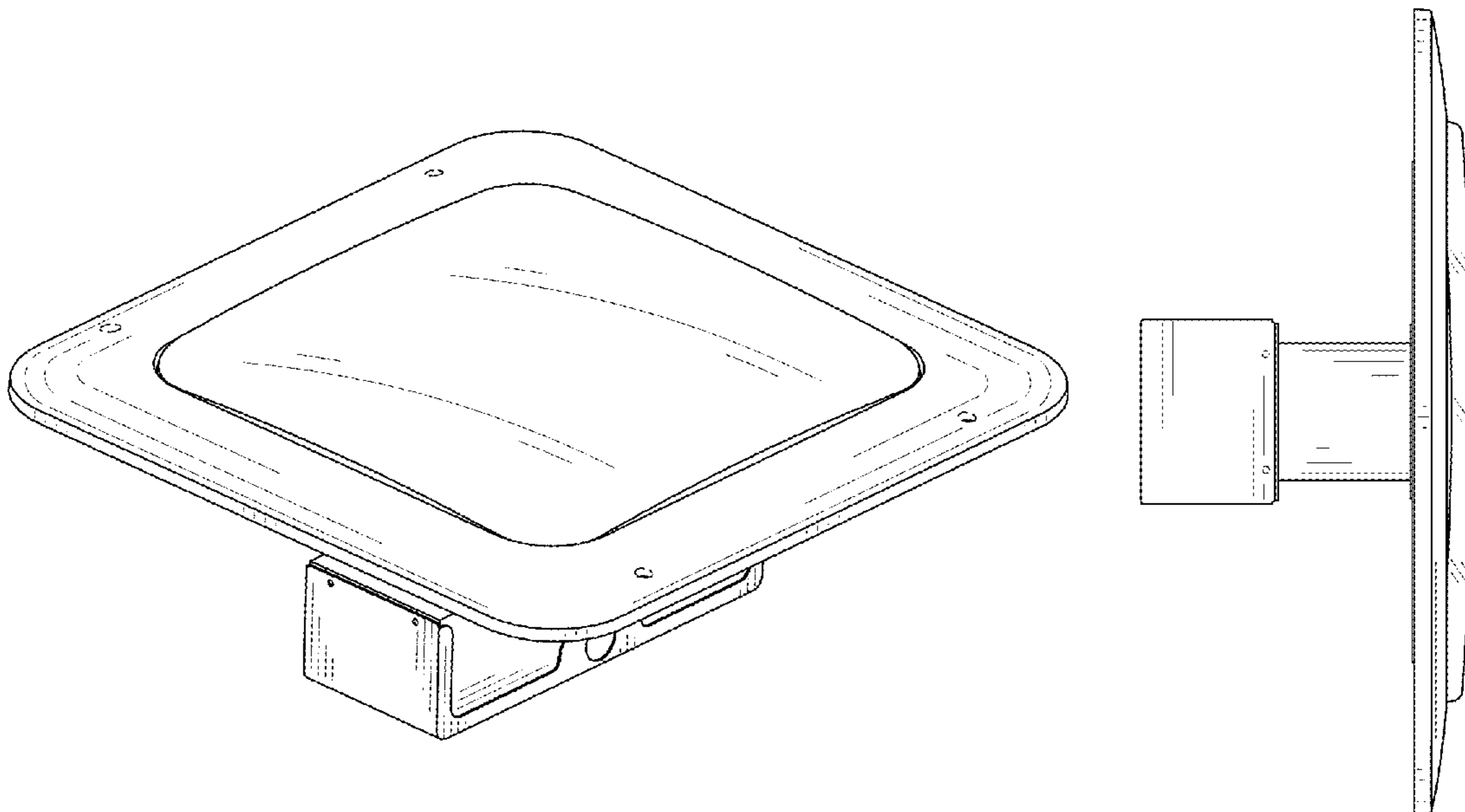
(57) **CLAIM**

The ornamental design for a high-power ceiling lamp, as shown and described.

**DESCRIPTION**

FIG. 1 is a perspective view of the high-power ceiling lamp of my new design;  
 FIG. 2 is a front elevational view thereof;  
 FIG. 3 is a rear elevational view thereof;  
 FIG. 4 is a left side elevational view thereof;  
 FIG. 5 is right side elevational view thereof;  
 FIG. 6 is a top plan view thereof; and,  
 FIG. 7 is a bottom plan view thereof.  
 The broken lines are for the purposes of illustrating portions of the high-power ceiling lamp and form no part of the claimed design.

**1 Claim, 7 Drawing Sheets**



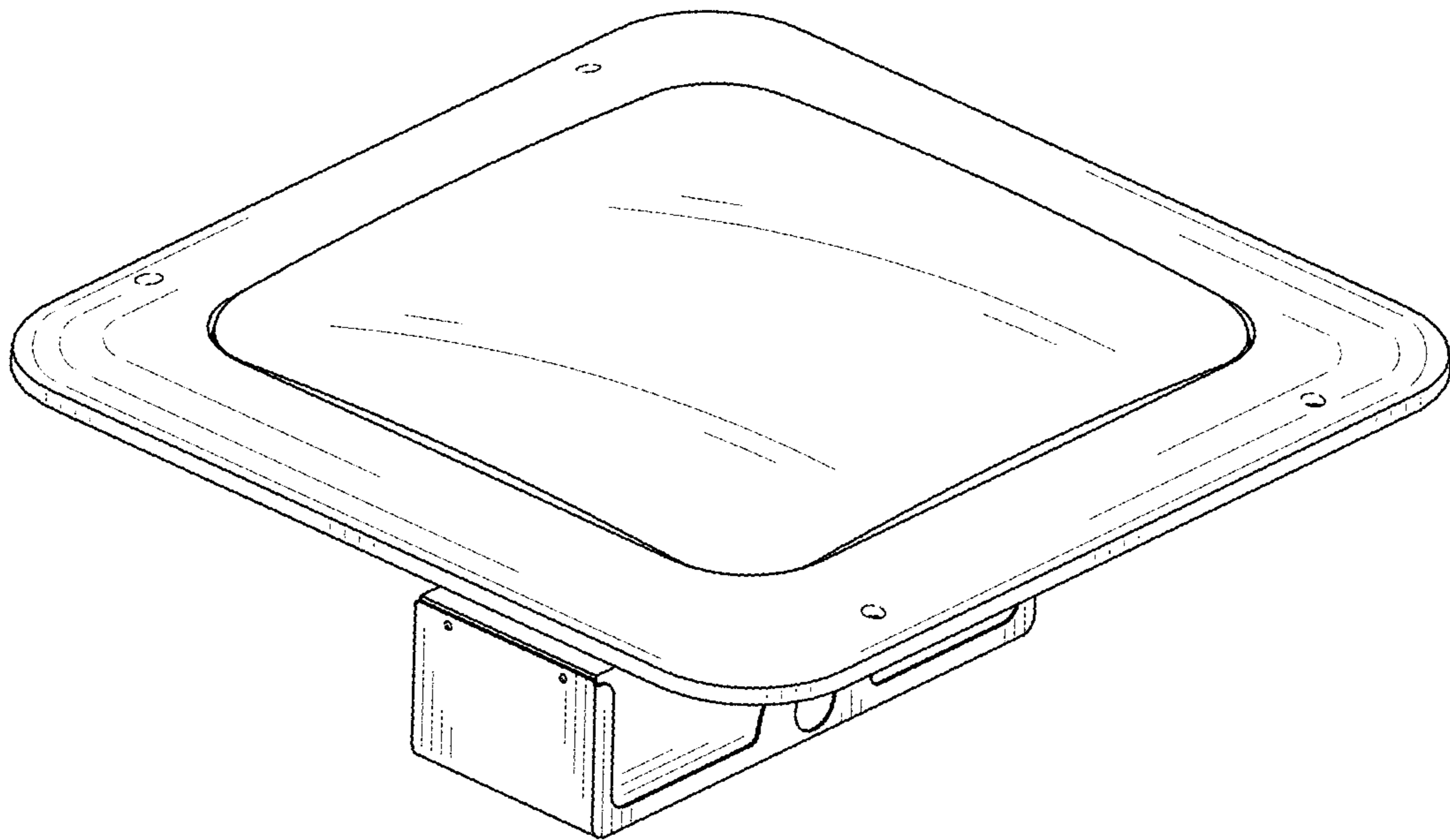


FIG. 1

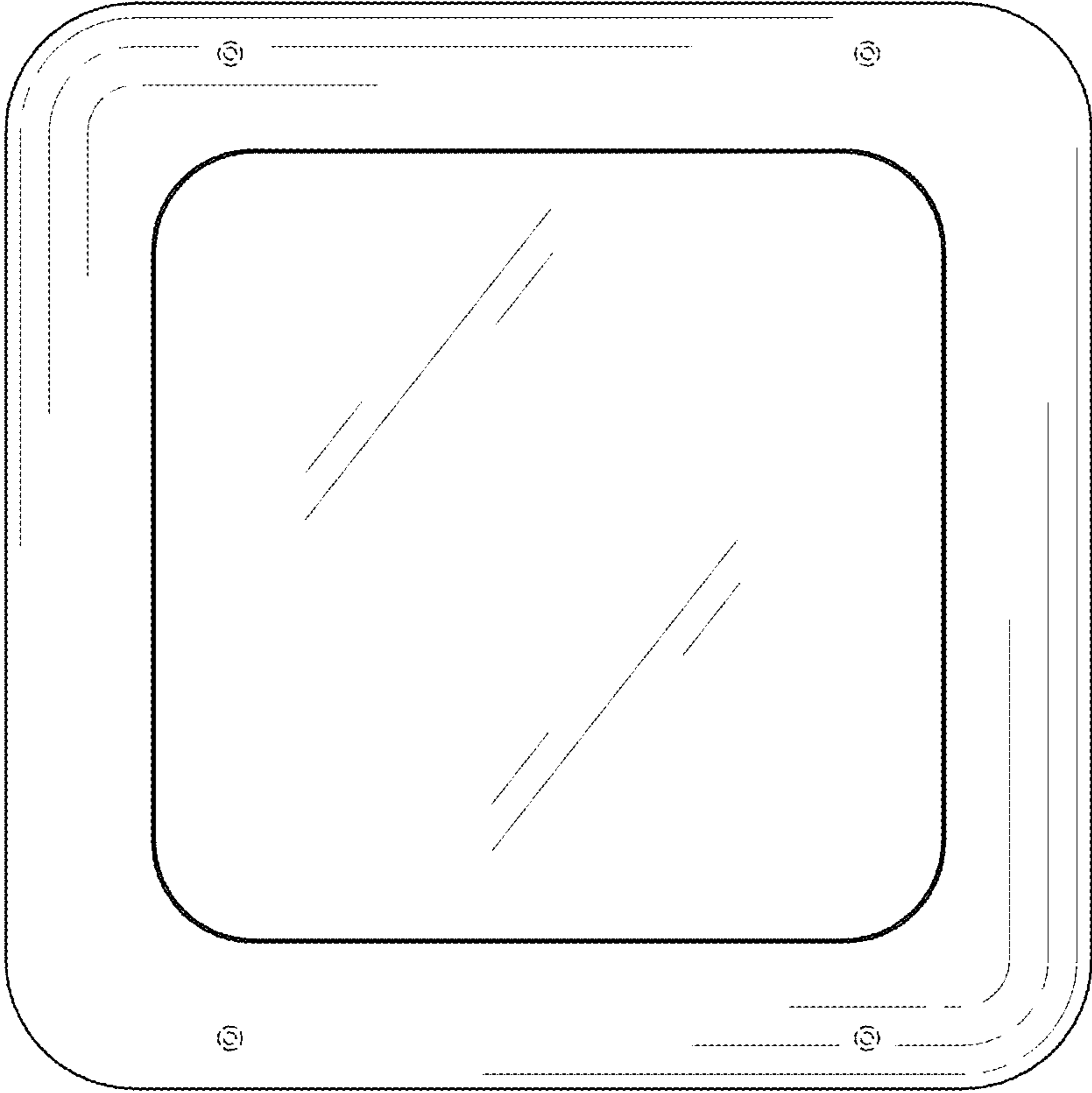


FIG. 2

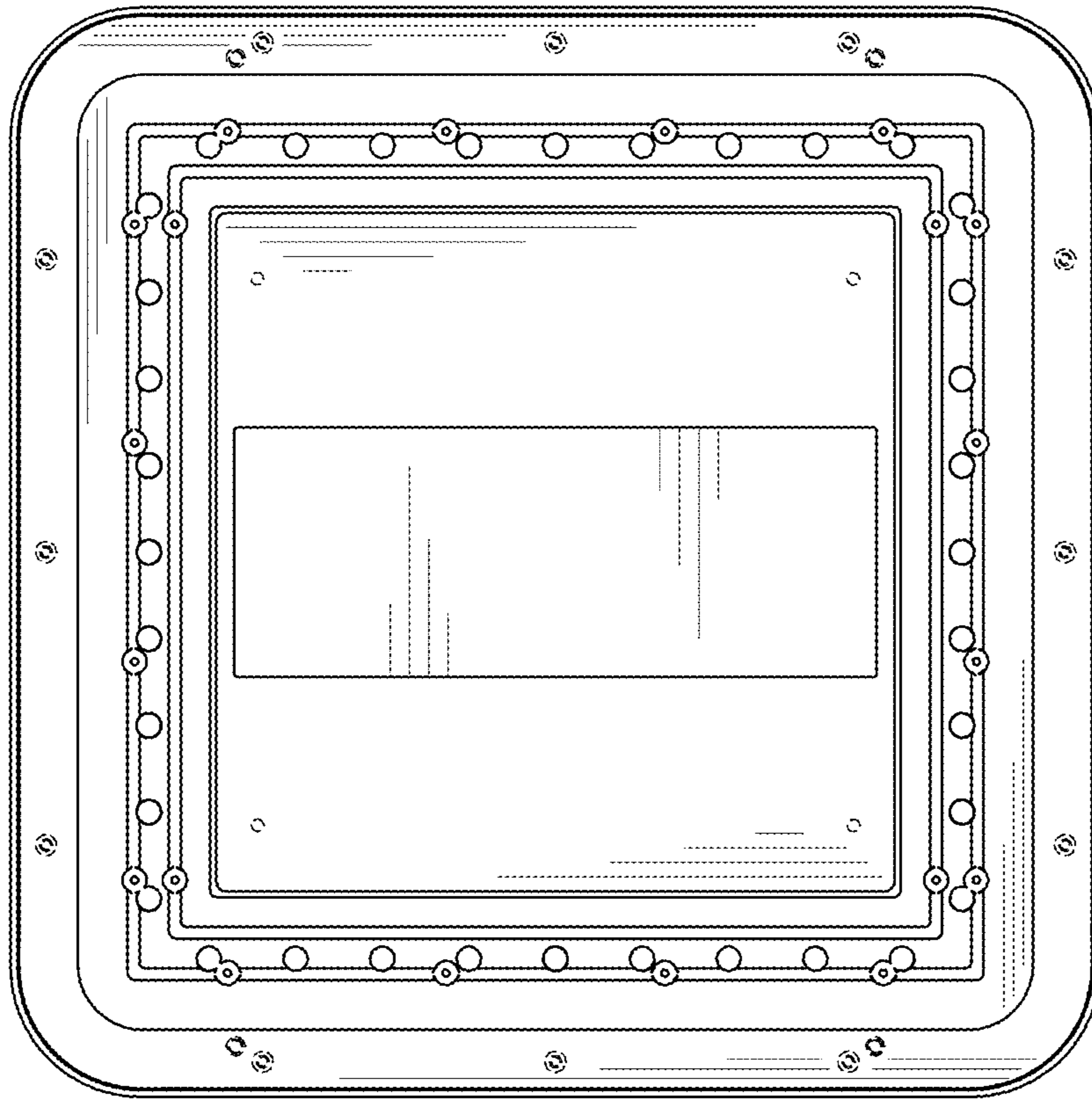


FIG. 3

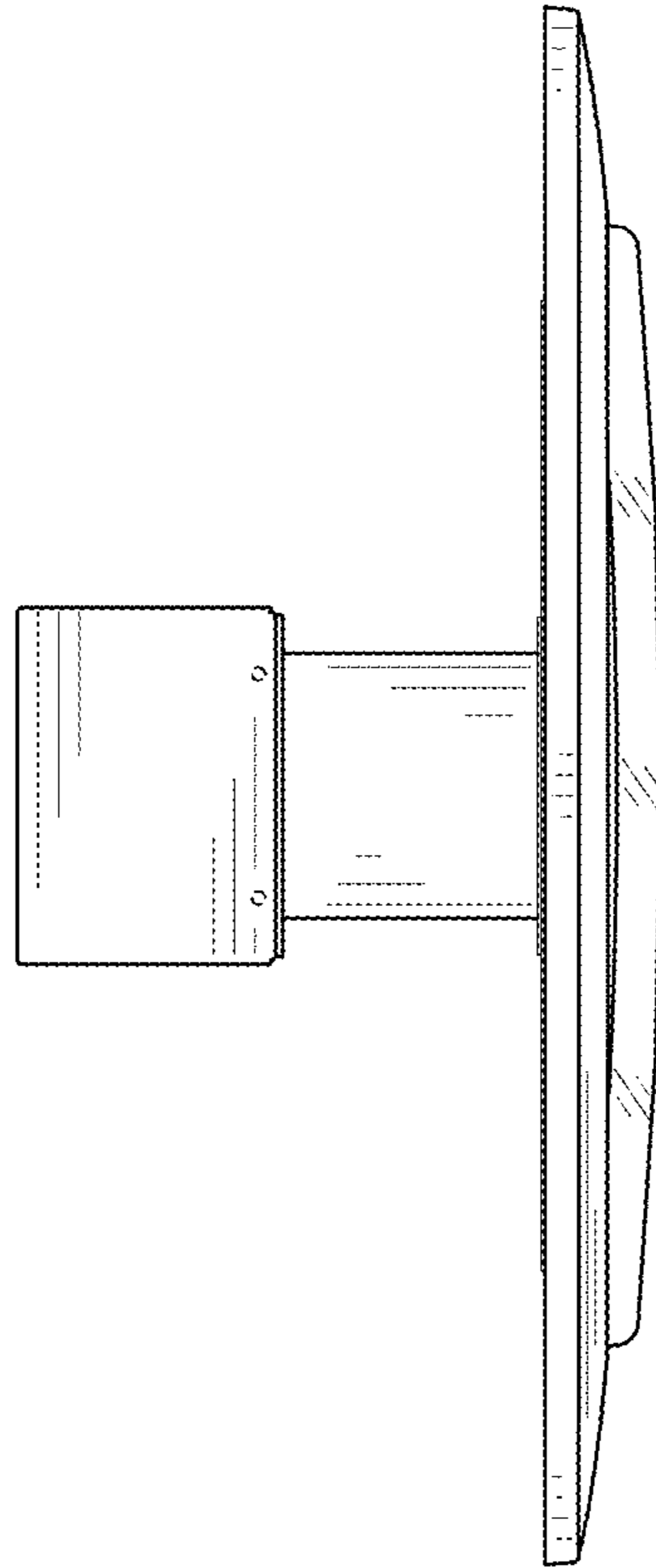


FIG. 4

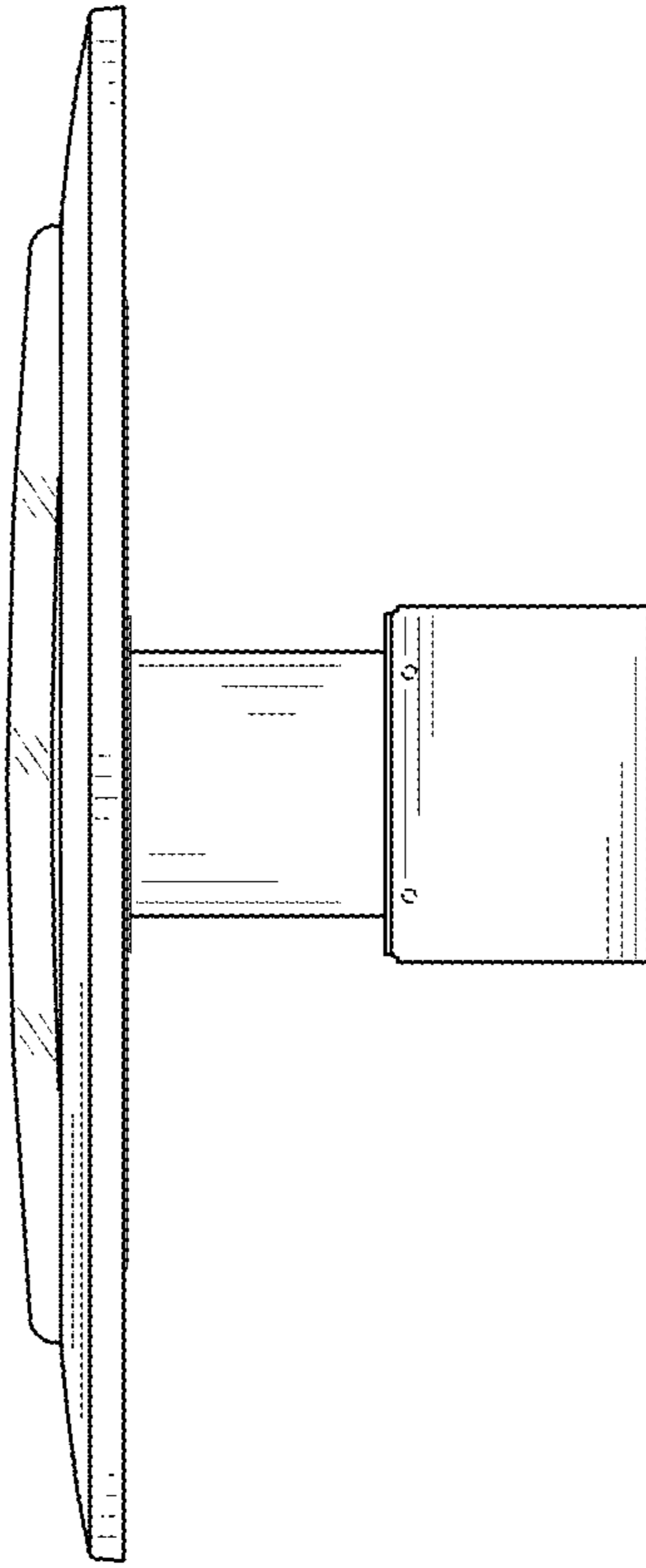


FIG. 5

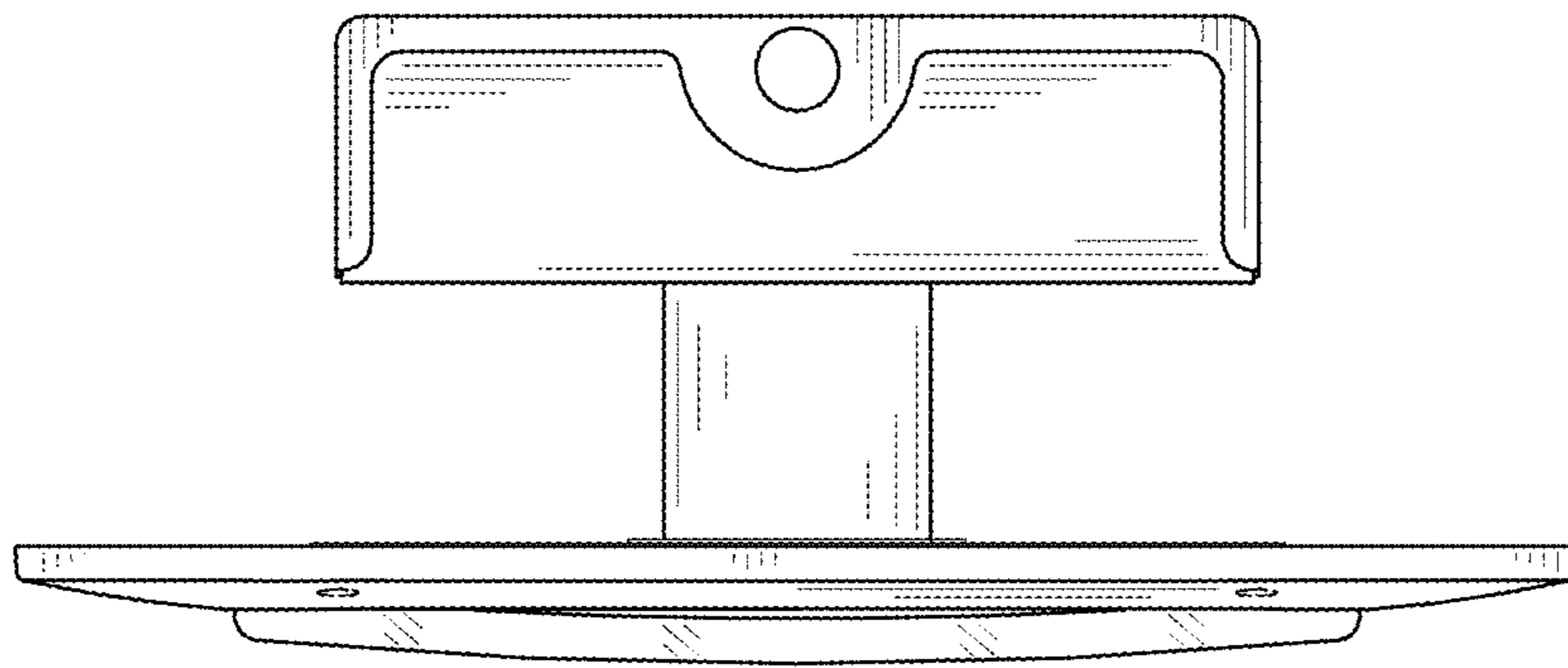


FIG. 6

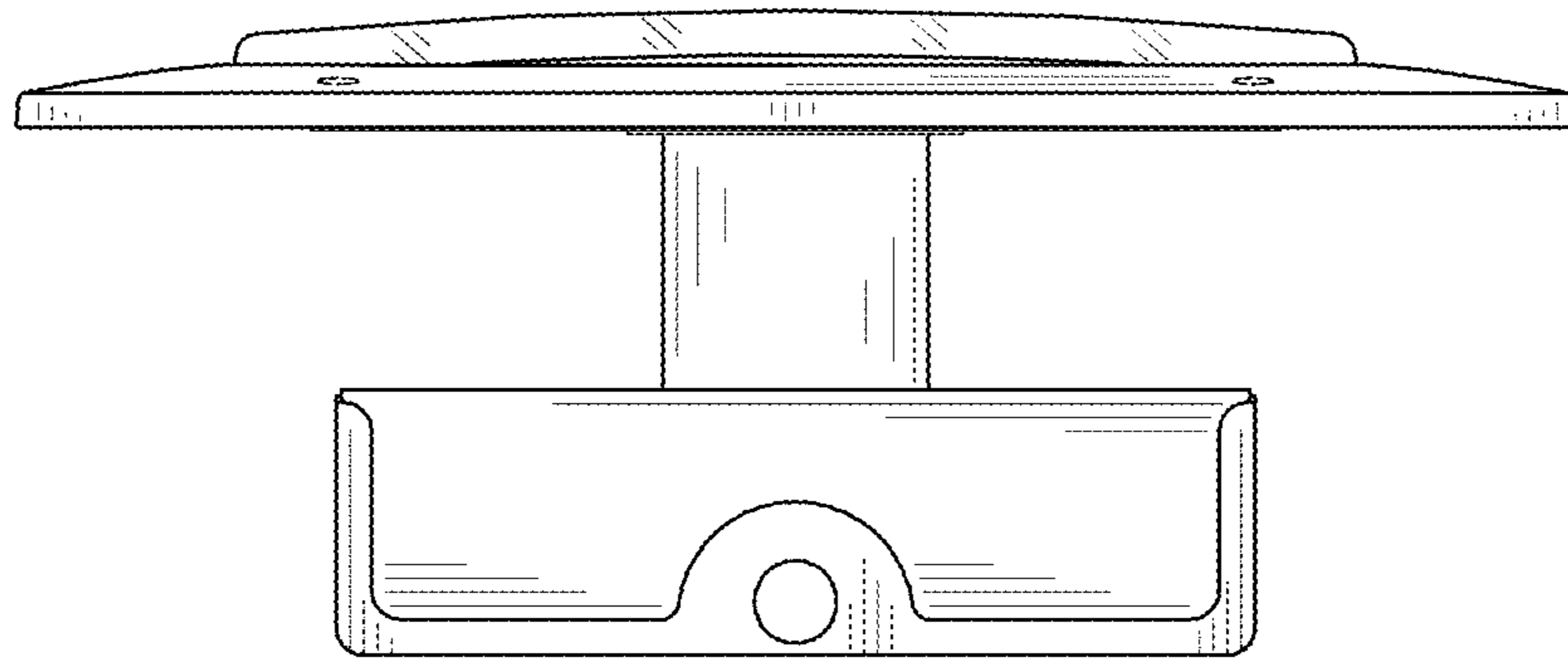


FIG. 7