



US00D784588S

(12) **United States Design Patent**  
**Piano**

(10) **Patent No.:** **US D784,588 S**

(45) **Date of Patent:** **\*\* Apr. 18, 2017**

(54) **SPOTLIGHT LAMP FOR INDOOR USE**

(71) Applicant: **Iguzzini Illuminazione S.P.A.**, Recanati (IT)

(72) Inventor: **Matteo Piano**, Genoa (IT)

(73) Assignee: **Iguzzini Illuminazione S.p.A.**, Recanati (IT)

(\*\*) Term: **15 Years**

(21) Appl. No.: **29/542,164**

(22) Filed: **Oct. 12, 2015**

(30) **Foreign Application Priority Data**

Apr. 10, 2015 (EM) ..... 002679282-0039

(51) **LOC (10) Cl.** ..... **26-03**

(52) **U.S. Cl.**  
USPC ..... **D26/65**

(58) **Field of Classification Search**

USPC ..... D26/1, 24, 61, 63, 65, 85, 92

CPC ..... F21V 21/14; F21V 15/01; F21V 14/02;

F21V 21/30; F21V 21/00; F21V 14/00;

F21S 8/00; F21S 8/003; F21S 8/043;

F21Y 2105/001

See application file for complete search history.

(56) **References Cited**

**U.S. PATENT DOCUMENTS**

D225,261 S \* 11/1972 Houplain ..... D26/65

D234,218 S \* 1/1975 Donato ..... D26/65

D234,220 S \* 1/1975 Donato ..... D26/65

D358,225 S \* 5/1995 Lin ..... D26/63

D438,320 S \* 2/2001 Tang ..... D26/63

D457,673 S \* 5/2002 Martinson ..... D26/63

D475,479 S \* 6/2003 Lin ..... D26/63

D476,439 S \* 6/2003 O'Rourke ..... D26/63

D560,847 S \* 1/2008 Ladewig ..... D26/65

D628,333 S \* 11/2010 Bretschneider ..... D26/63

D645,593 S \* 9/2011 Janssen ..... D26/63

\* cited by examiner

*Primary Examiner* — Brian N Vinson

(74) *Attorney, Agent, or Firm* — Stetina Brunda Garred & Brucker

(57) **CLAIM**

The ornamental design for a spotlight lamp for indoor use, as shown and described.

**DESCRIPTION**

FIG. 1 is a front perspective view of the spotlight lamp for indoor use of the present invention showing my new design;

FIG. 2 is a front view thereof;

FIG. 3 is a right view thereof;

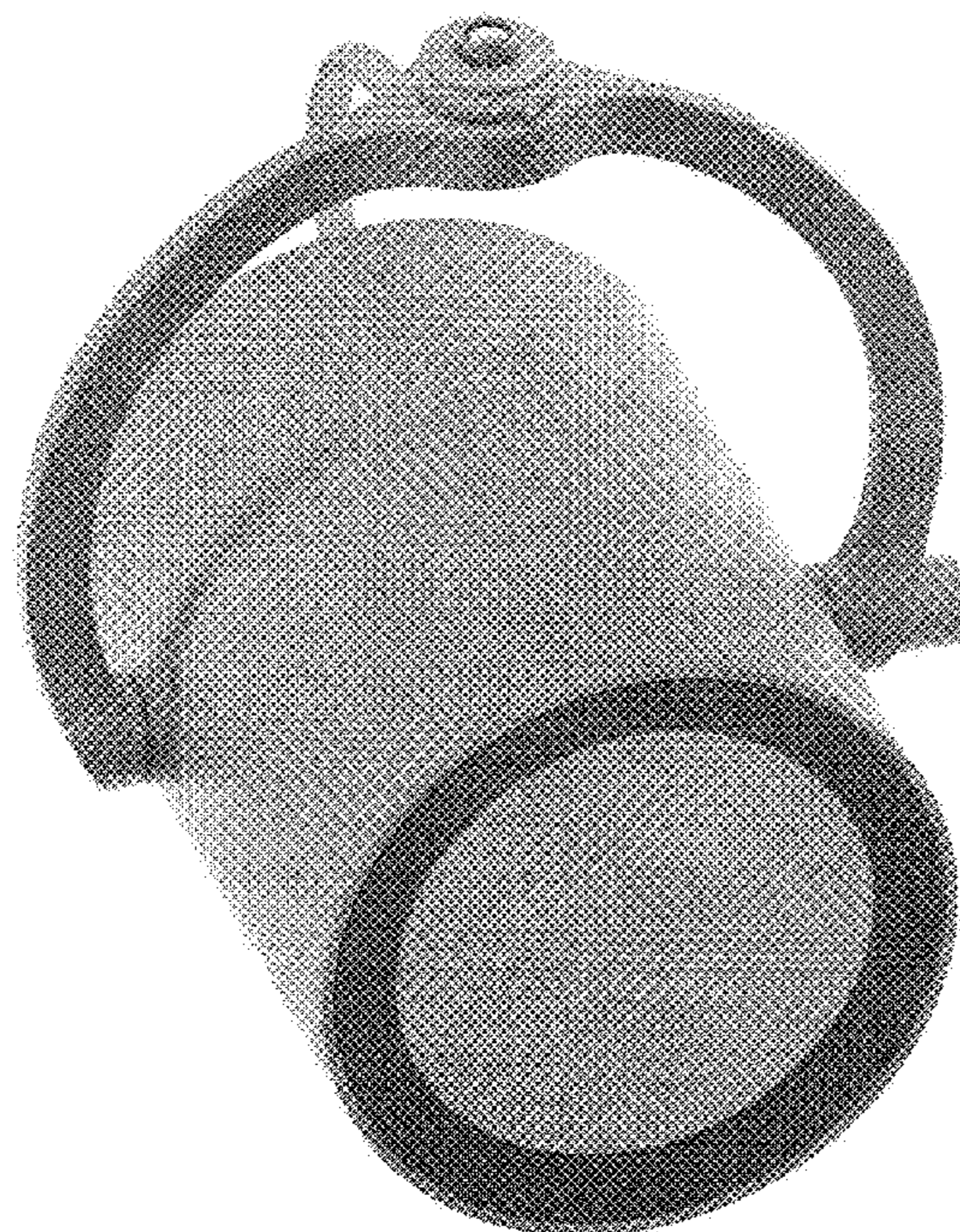
FIG. 4 is a left view thereof;

FIG. 5 is a back view thereof;

FIG. 6 is a top view thereof; and,

FIG. 7 is a bottom view thereof.

**1 Claim, 7 Drawing Sheets**



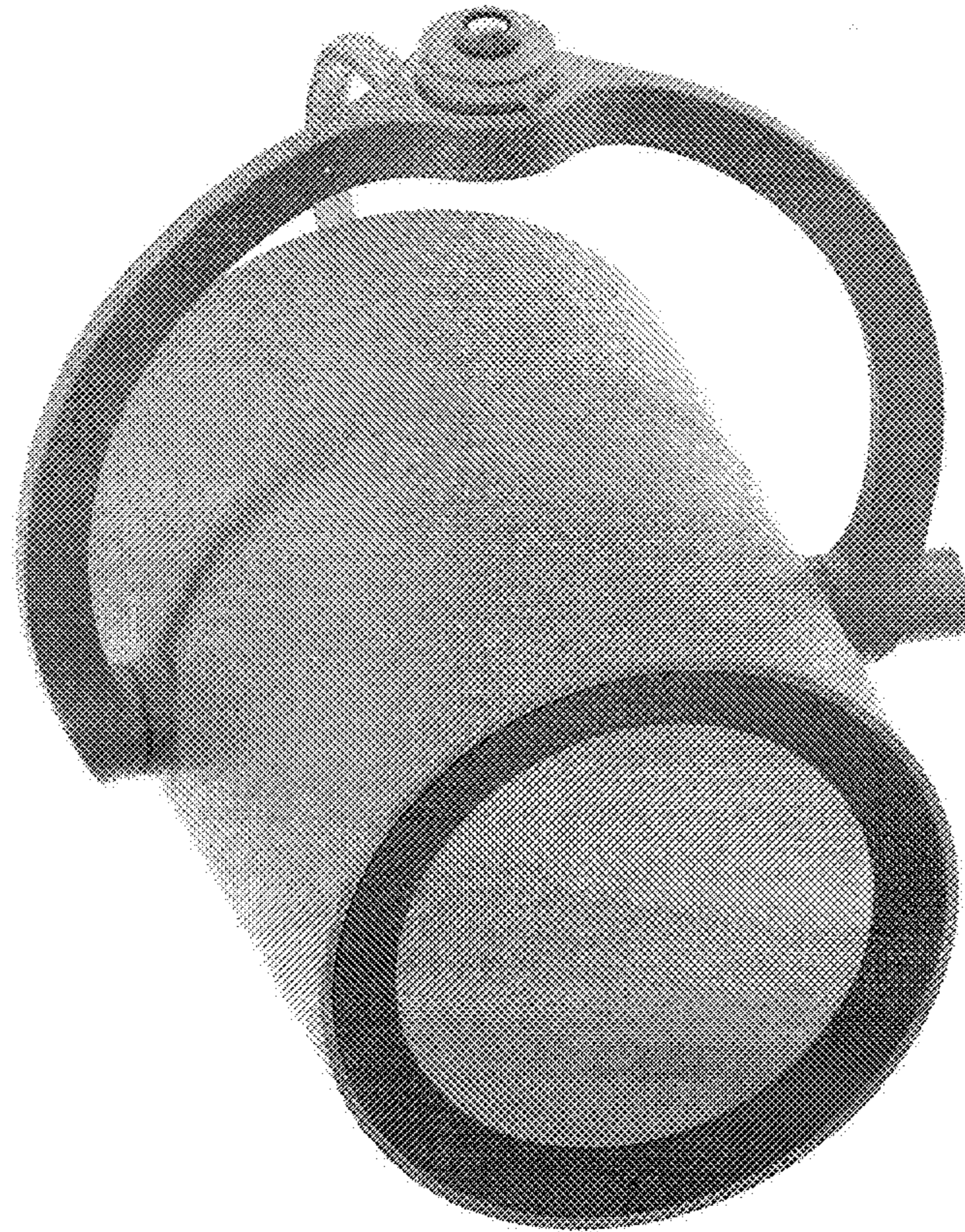


FIG. 1

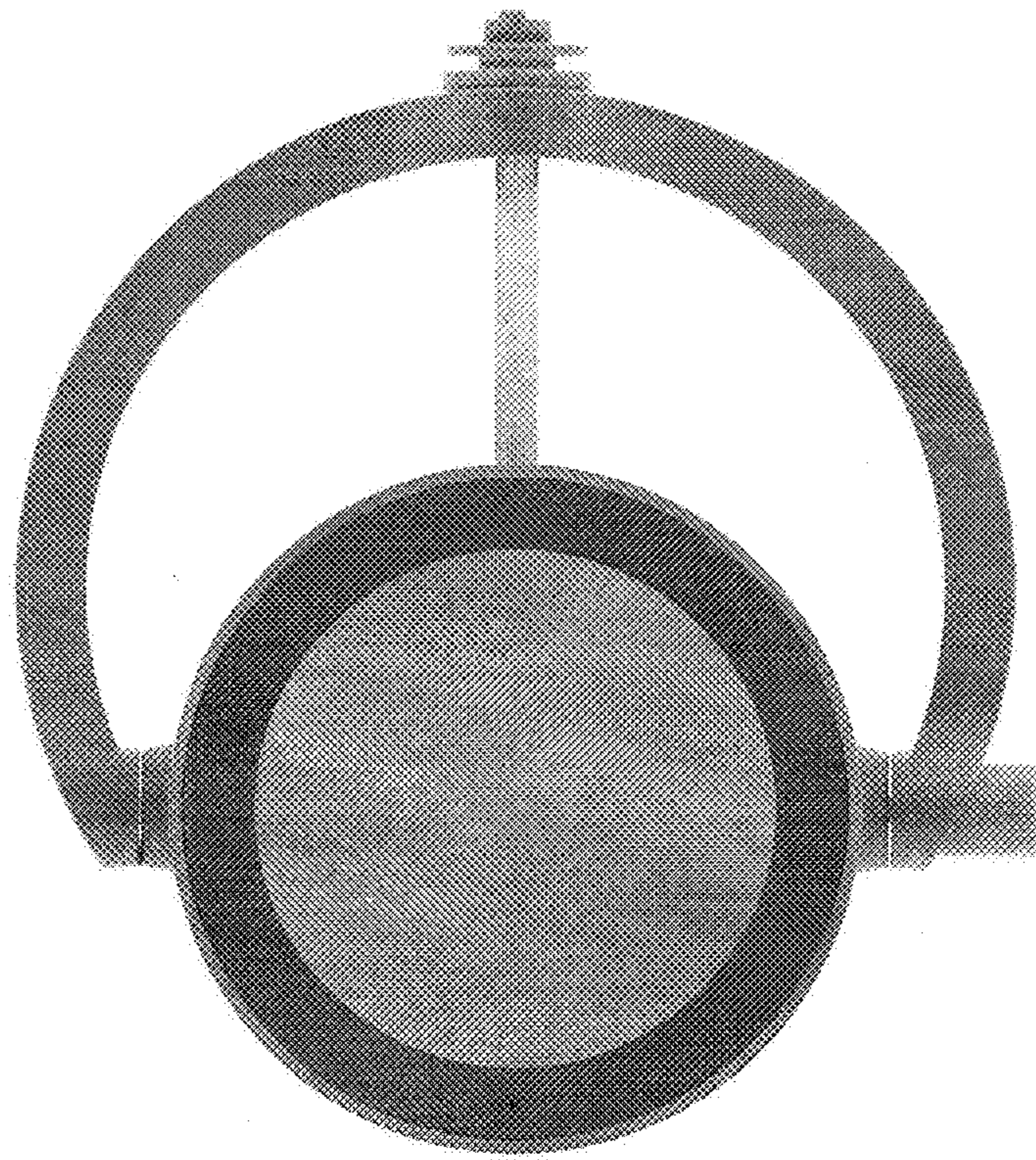


FIG. 2

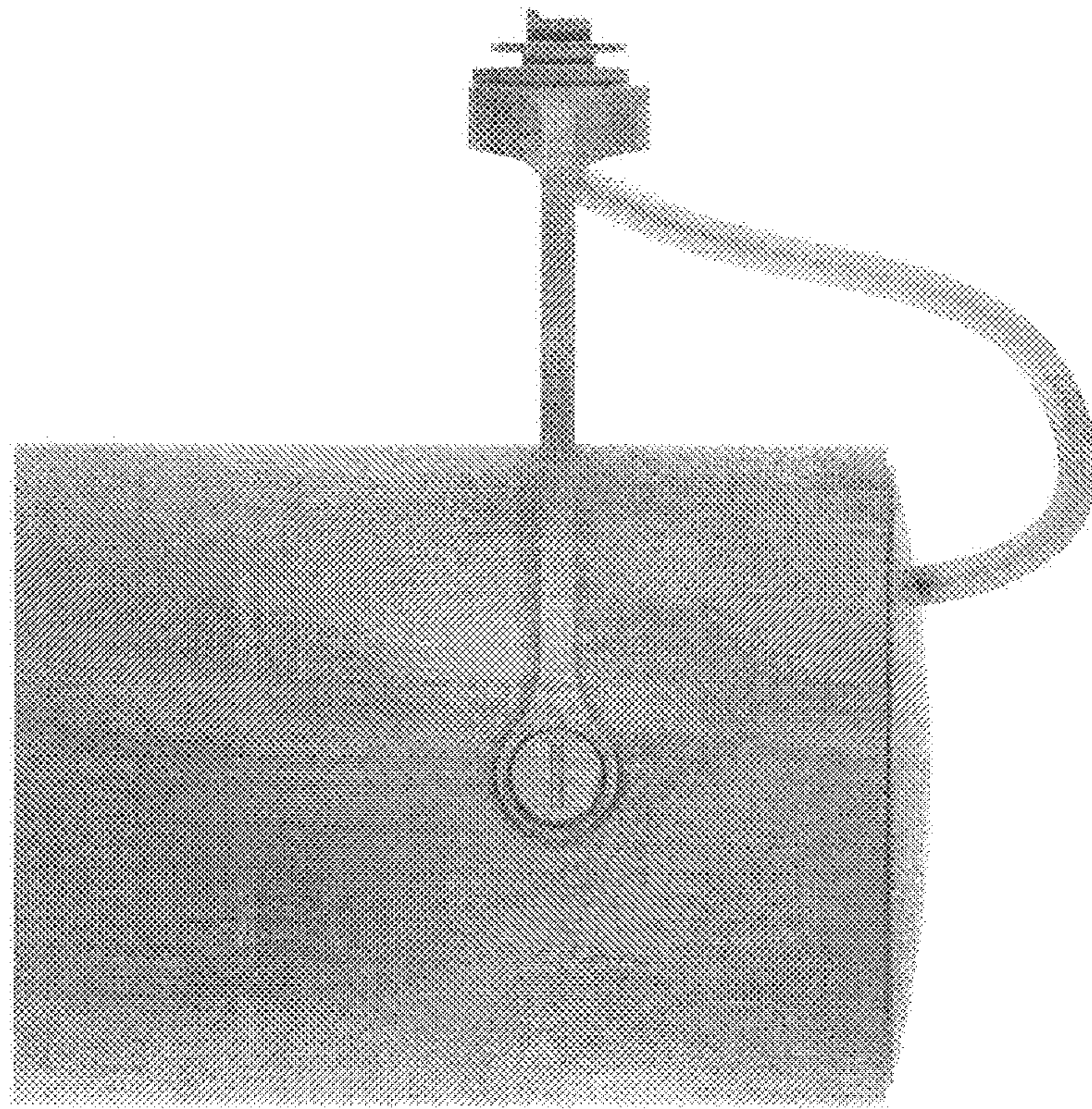


FIG. 3

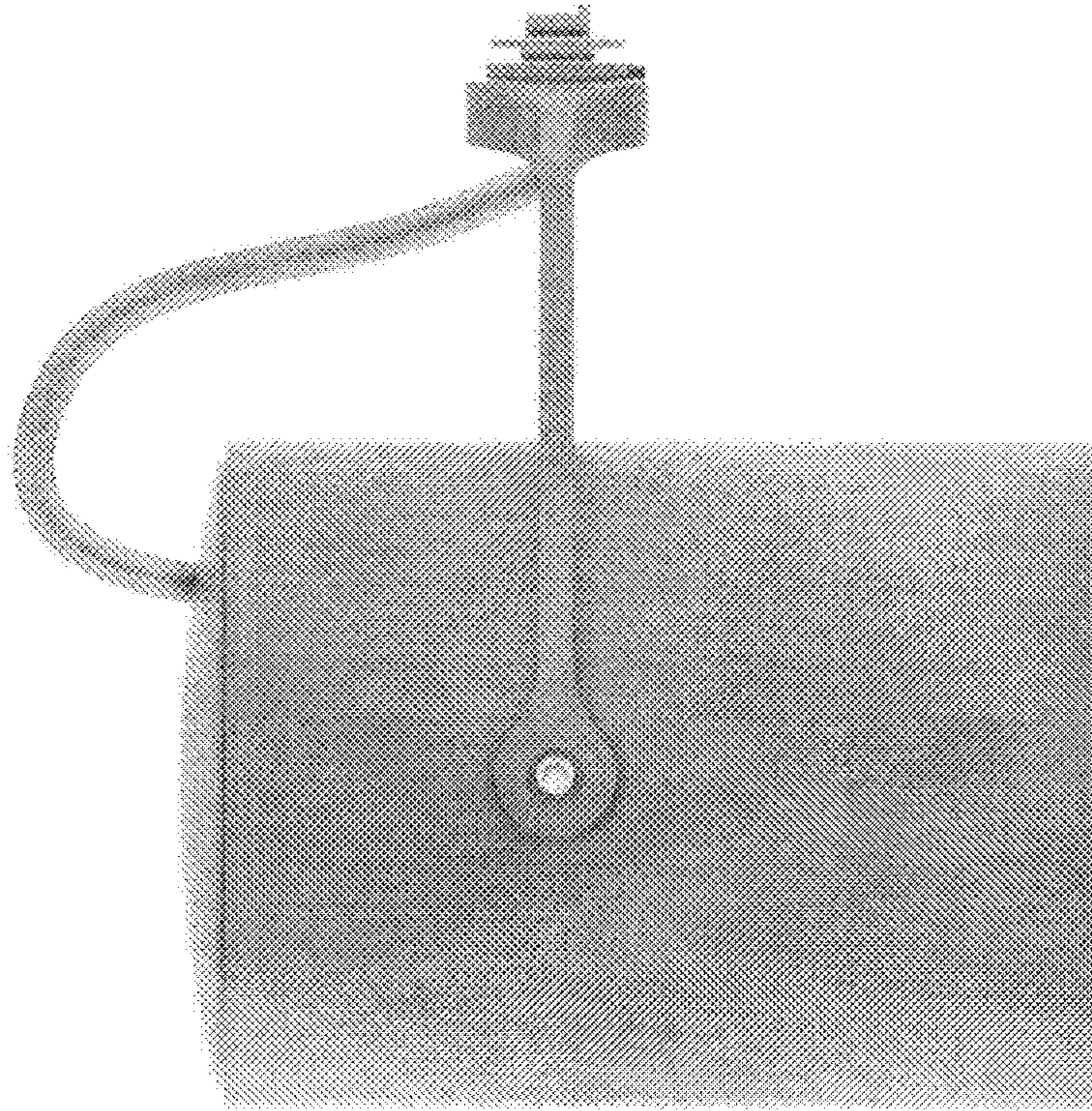


FIG. 4

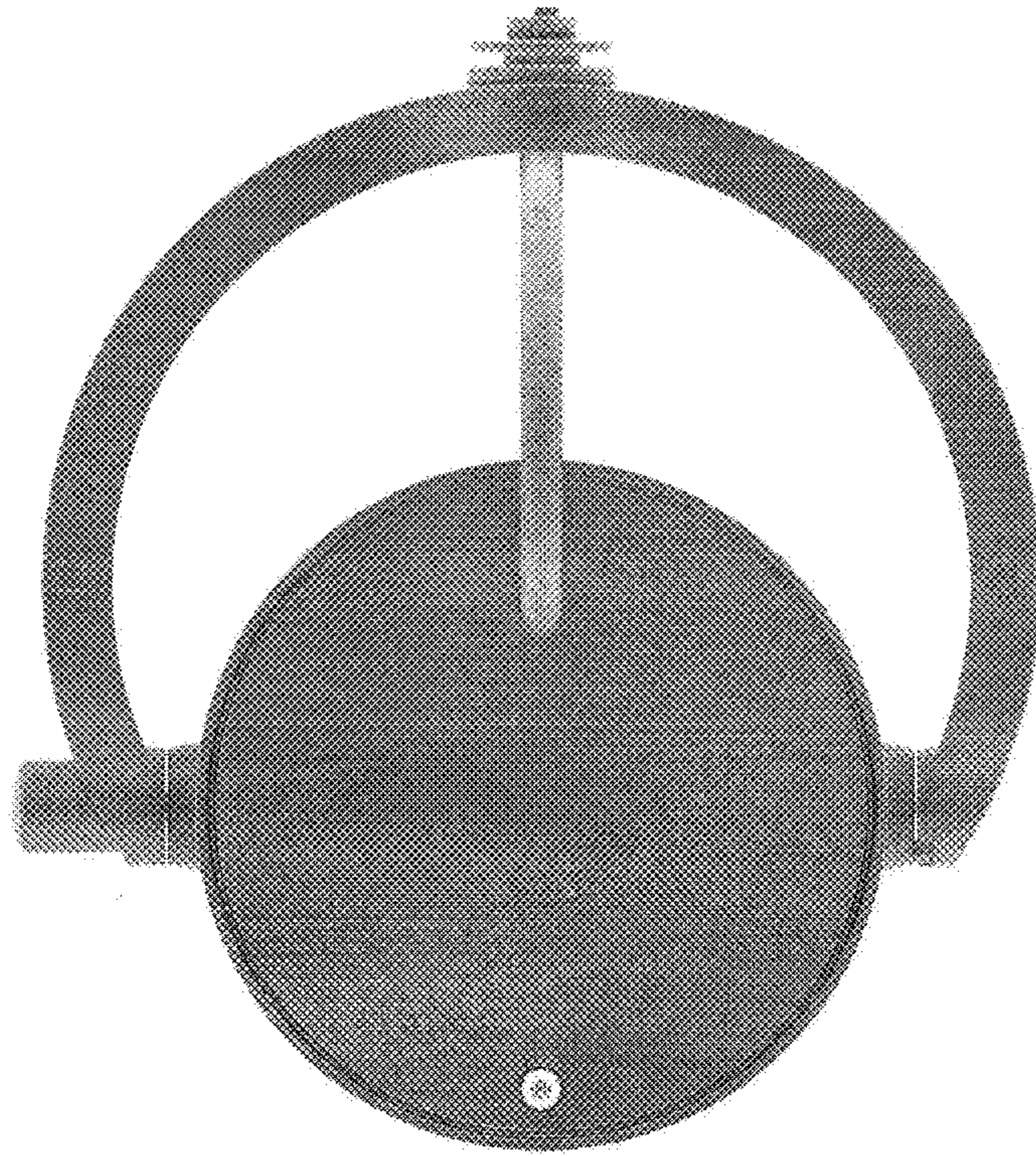


FIG. 5

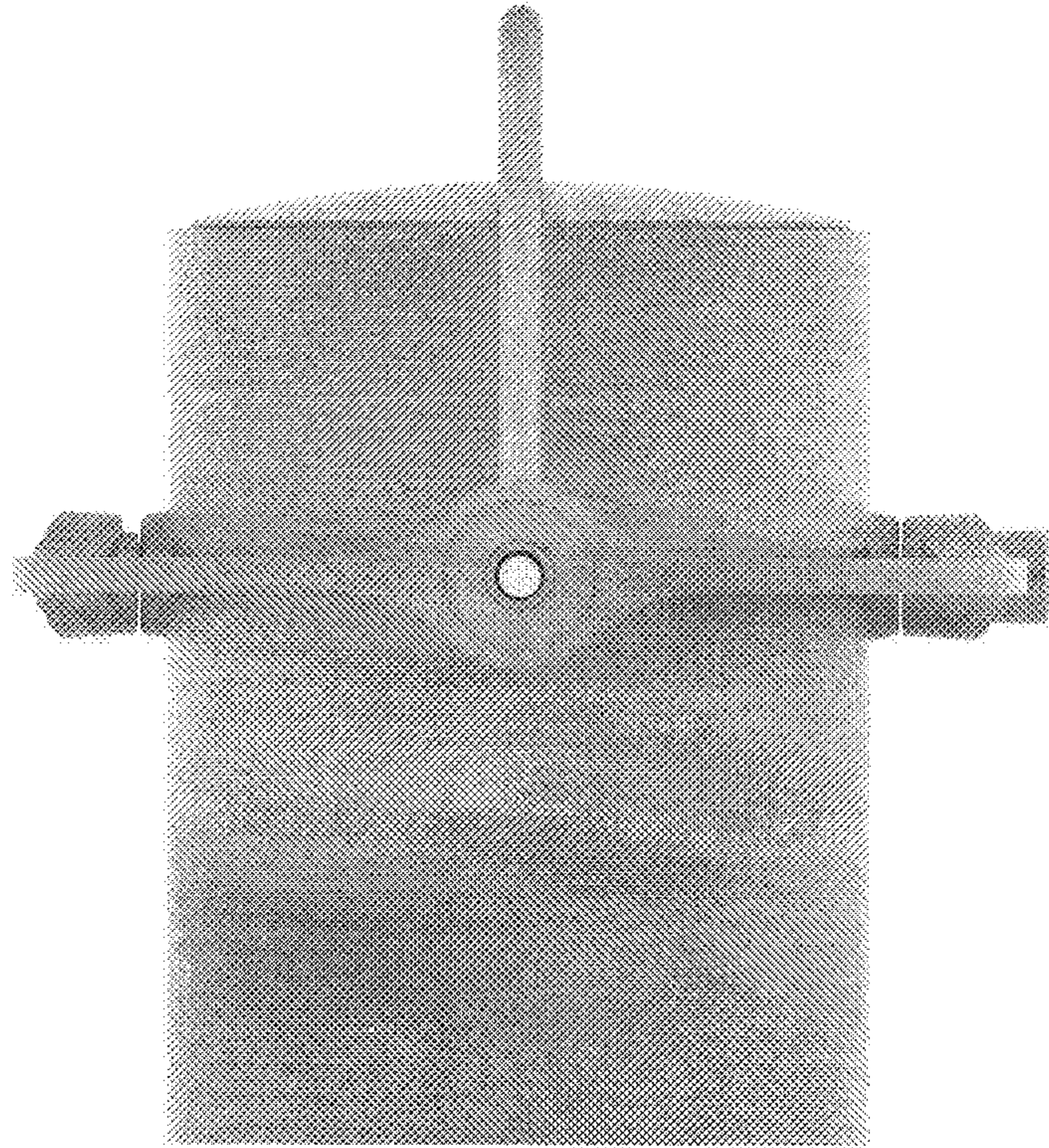


FIG. 6

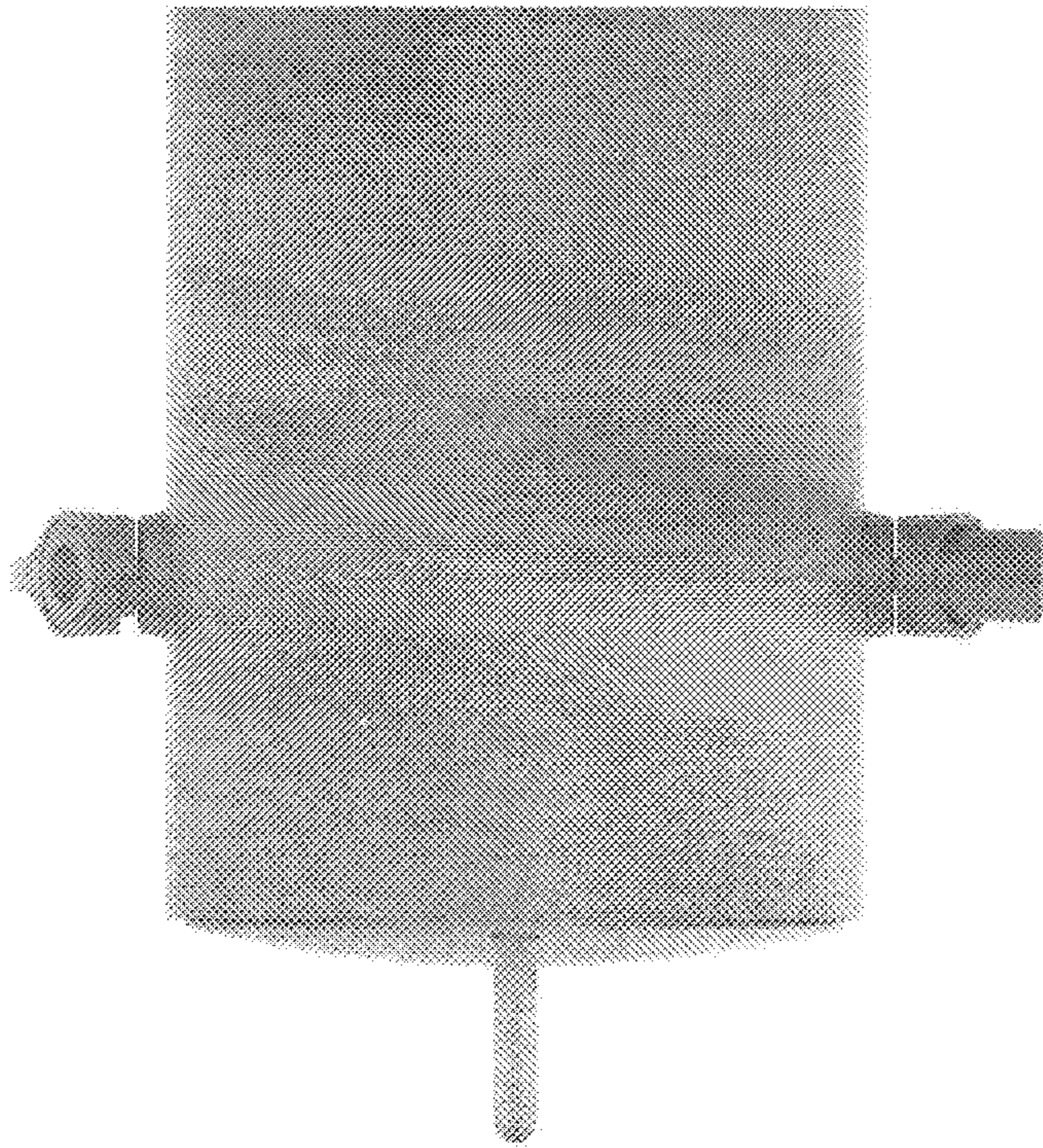


FIG. 7