



US00D784586S

(12) **United States Design Patent** (10) **Patent No.:** **US D784,586 S**
Gebhard et al. (45) **Date of Patent:** **** Apr. 18, 2017**

(54) **SEARCHLIGHT**

- (71) Applicant: **Golight, Inc.**, Culbertson, NE (US)
- (72) Inventors: **Albert W. Gebhard**, Denver, CO (US);
Colton D. Hosick, Culbertson, NE (US)
- (73) Assignee: **Golight, Inc.**, Culbertson, NE (US)
- (**) Term: **15 Years**
- (21) Appl. No.: **29/579,388**
- (22) Filed: **Sep. 29, 2016**

Related U.S. Application Data

- (62) Division of application No. 29/542,914, filed on Oct. 19, 2015, now Pat. No. Des. 768,899, which is a division of application No. 29/490,785, filed on May 13, 2014, now Pat. No. Des. 745,990.
 - (51) **LOC (10) Cl.** **26-03**
 - (52) **U.S. Cl.**
USPC **D26/63**
 - (58) **Field of Classification Search**
USPC D26/1, 24, 61, 63, 65, 85, 92
CPC F21V 21/14; F21V 15/01; F21V 14/02;
F21V 21/30; F21V 21/00; F21V 14/00;
F21S 8/00; F21S 8/003; F21S 8/043;
F21Y 2105/001
- See application file for complete search history.

(56) **References Cited**

U.S. PATENT DOCUMENTS

D629,550 S	*	12/2010	Sandell	D26/63
D646,822 S	*	10/2011	Johannessen et al.	D26/63
D666,346 S	*	8/2012	Gebhard et al.	D26/63
D693,509 S	*	11/2013	Hosick et al.	D26/63
D703,851 S	*	4/2014	Gebhard et al.	D26/63
D732,219 S	*	6/2015	Adams	D26/63
D734,521 S	*	7/2015	Gebhard et al.	D26/63
D734,887 S	*	7/2015	Gebhard et al.	D26/63

* cited by examiner

Primary Examiner — Brian N Vinson
(74) *Attorney, Agent, or Firm* — Polson Intellectual Property Law, PC; Margaret Polson

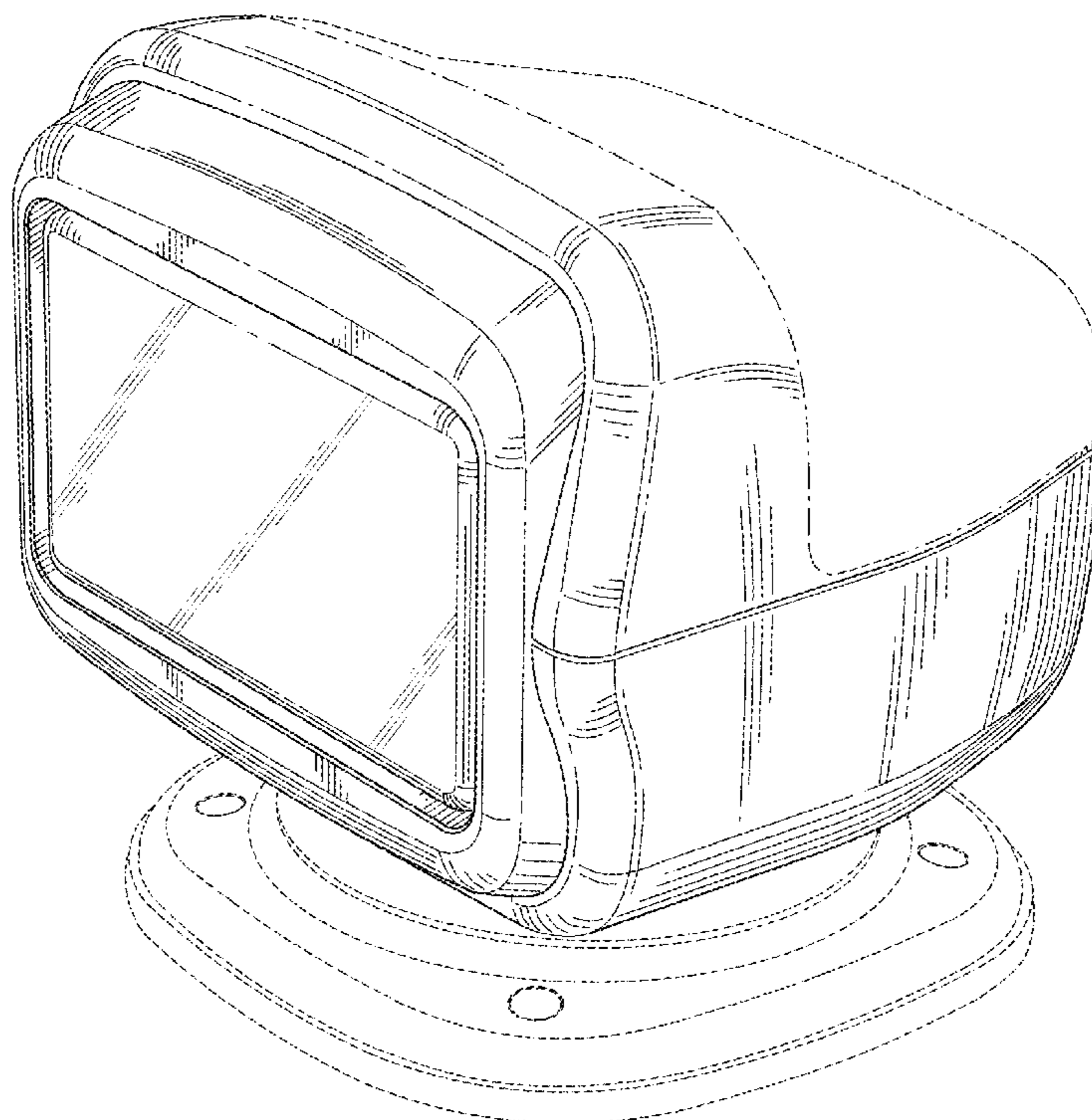
(57) **CLAIM**

The ornamental design of a searchlight, as shown and described.

DESCRIPTION

FIG. 1 is a front perspective view of our new design for a searchlight.
FIG. 2 is a front elevation view of in FIG. 1.
FIG. 3 is a back elevation view of FIG. 1.
FIG. 4 is a side elevation view, which are mirror images thereof, of the right and left sides of FIG. 1.
FIG. 5 is a top plan view of FIG. 1; and,
FIG. 6 is a bottom plan view of FIG. 1.
The features shown in broken lines in the drawing depict environmental subject matter only and form no part of the claimed design or an unclaimed border which defines the bounds of the claimed design.

1 Claim, 6 Drawing Sheets



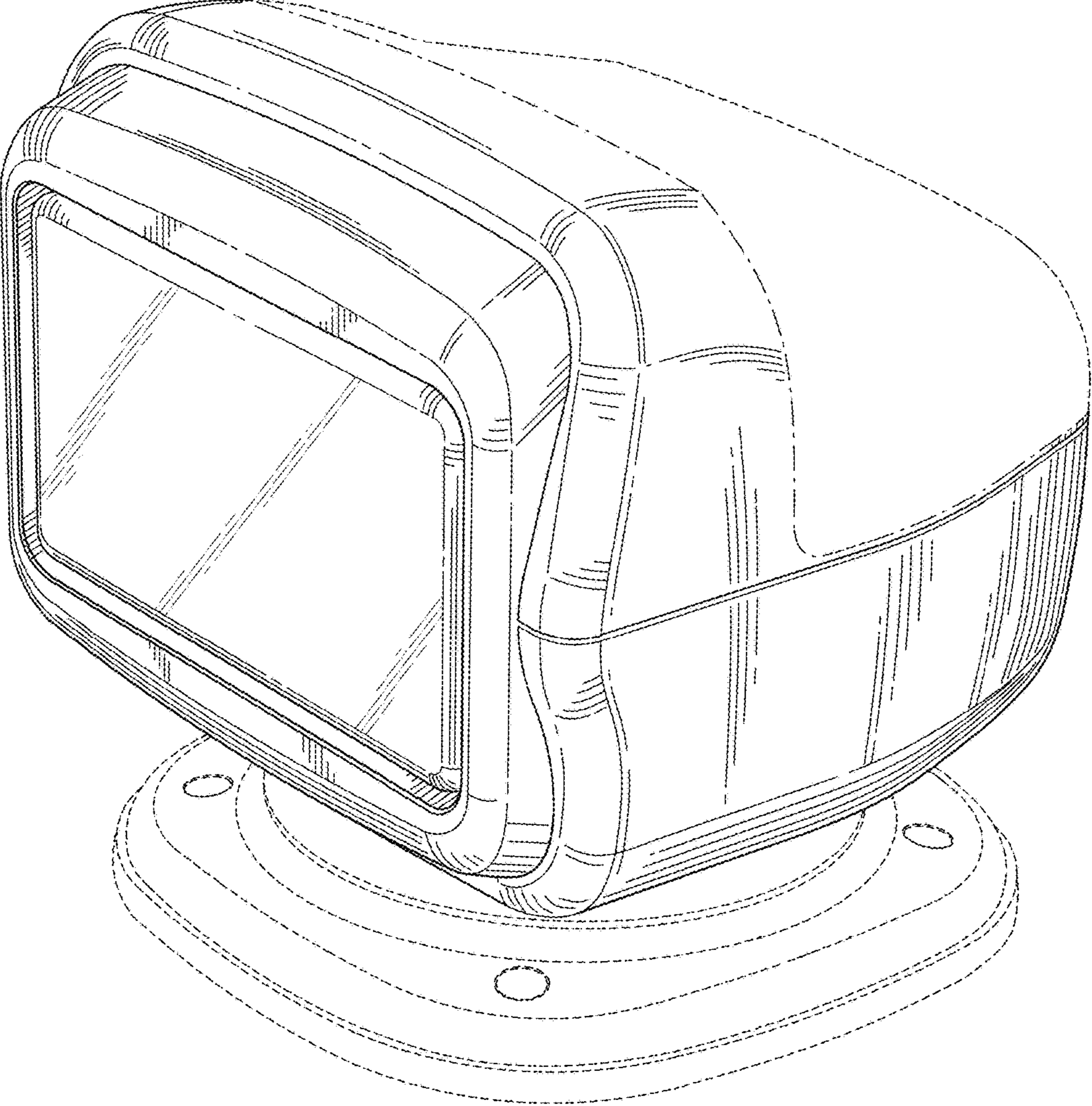


FIG.1

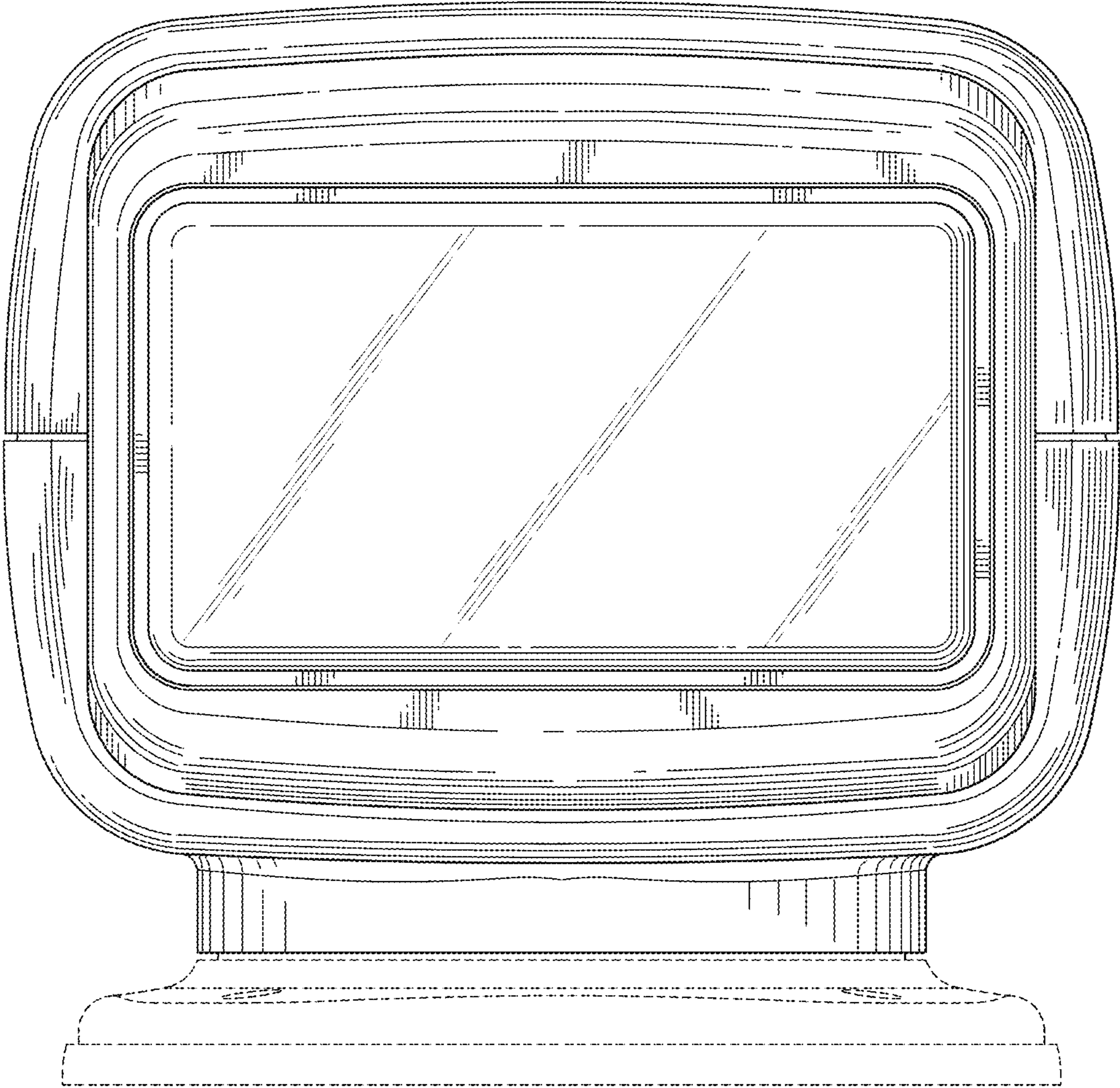


FIG.2

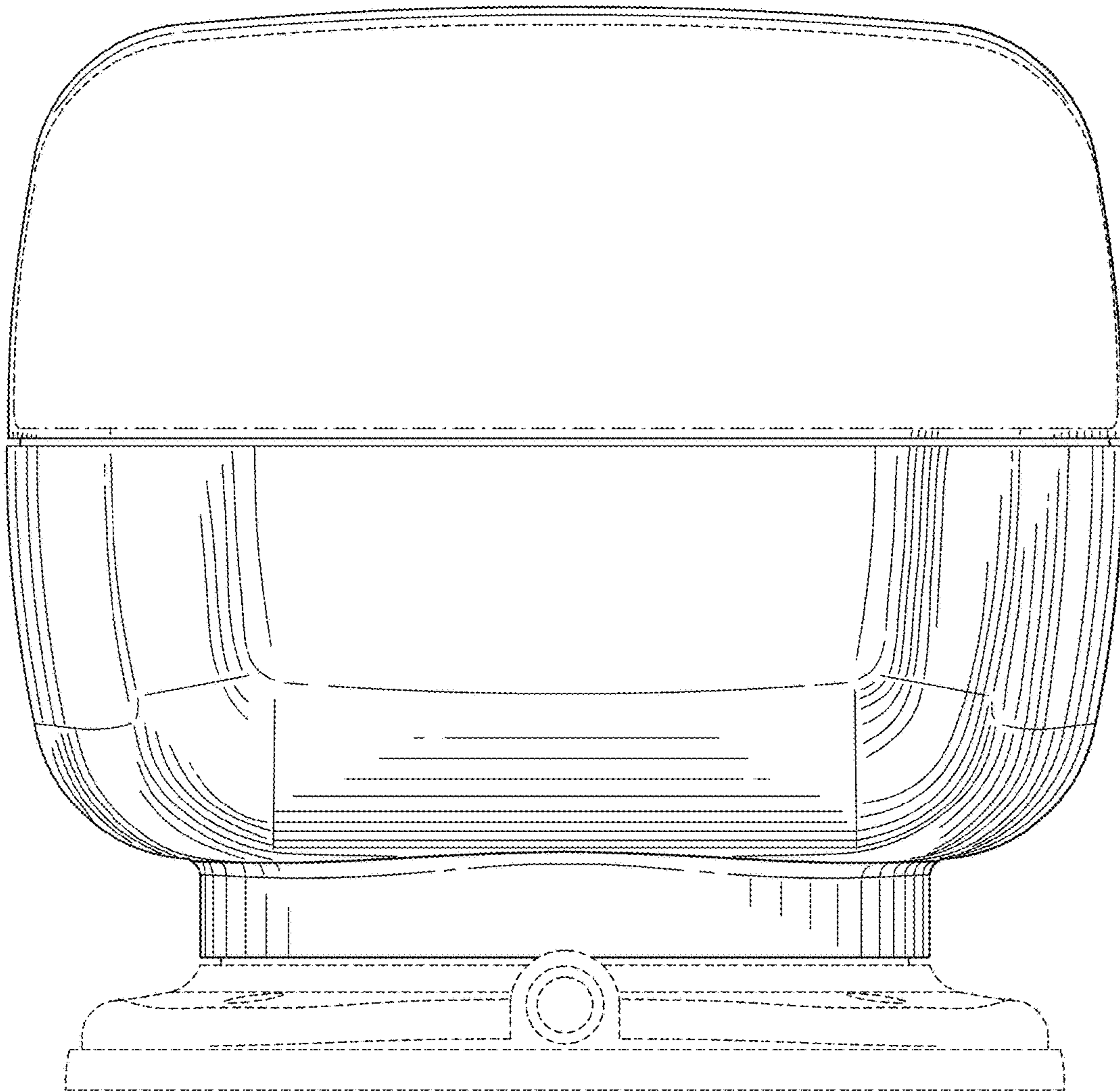


FIG.3

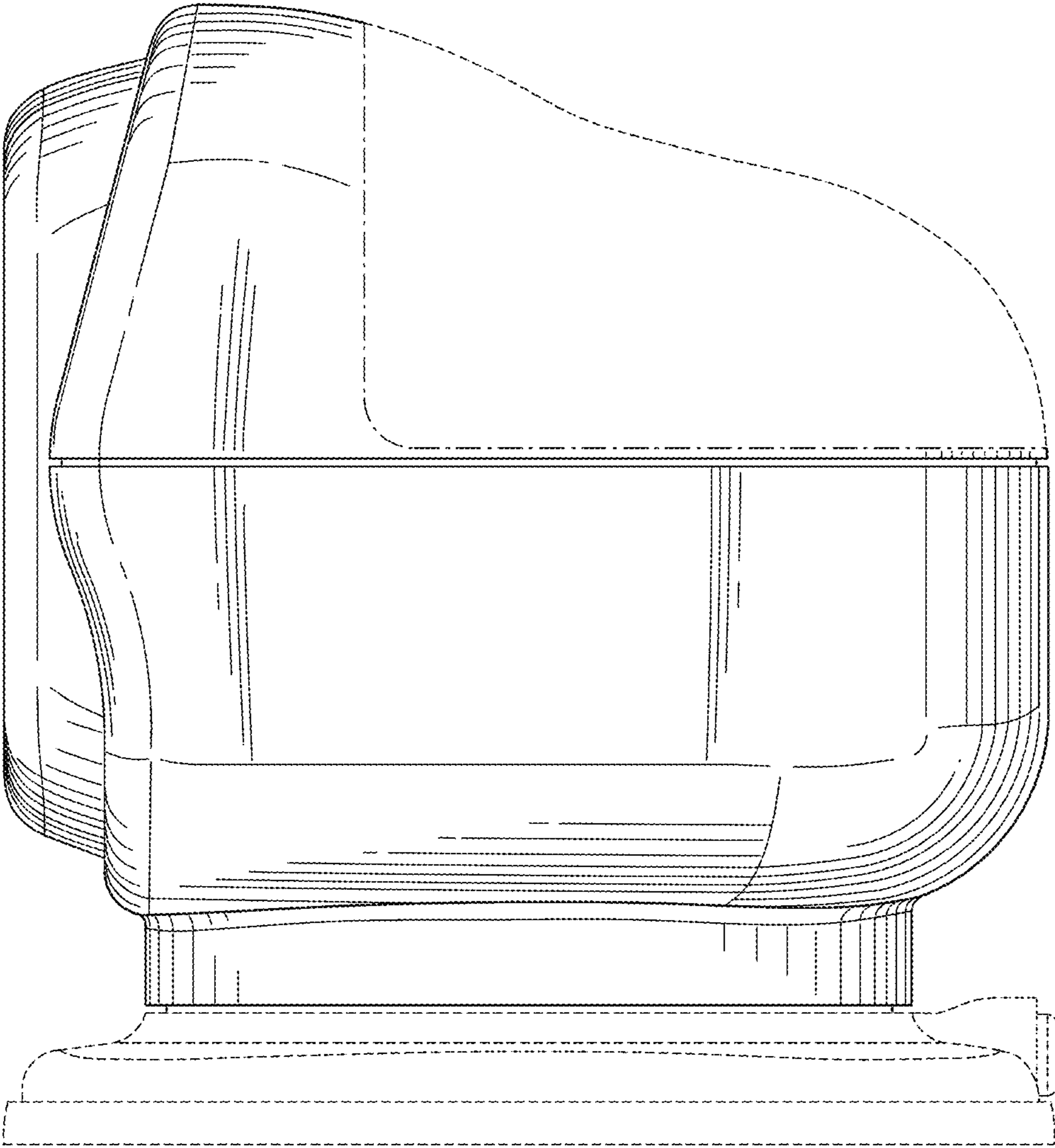


FIG.4

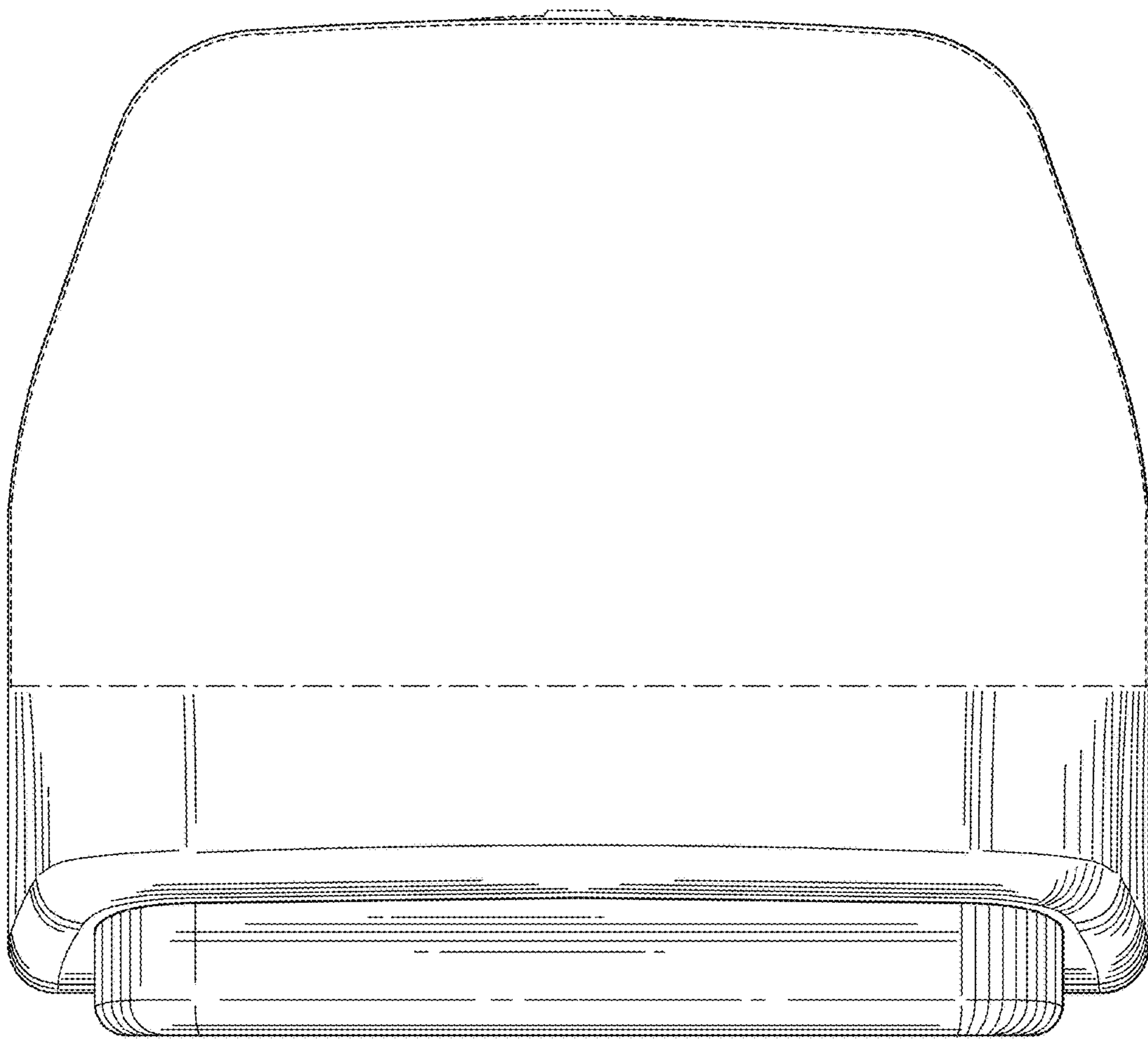


FIG. 5

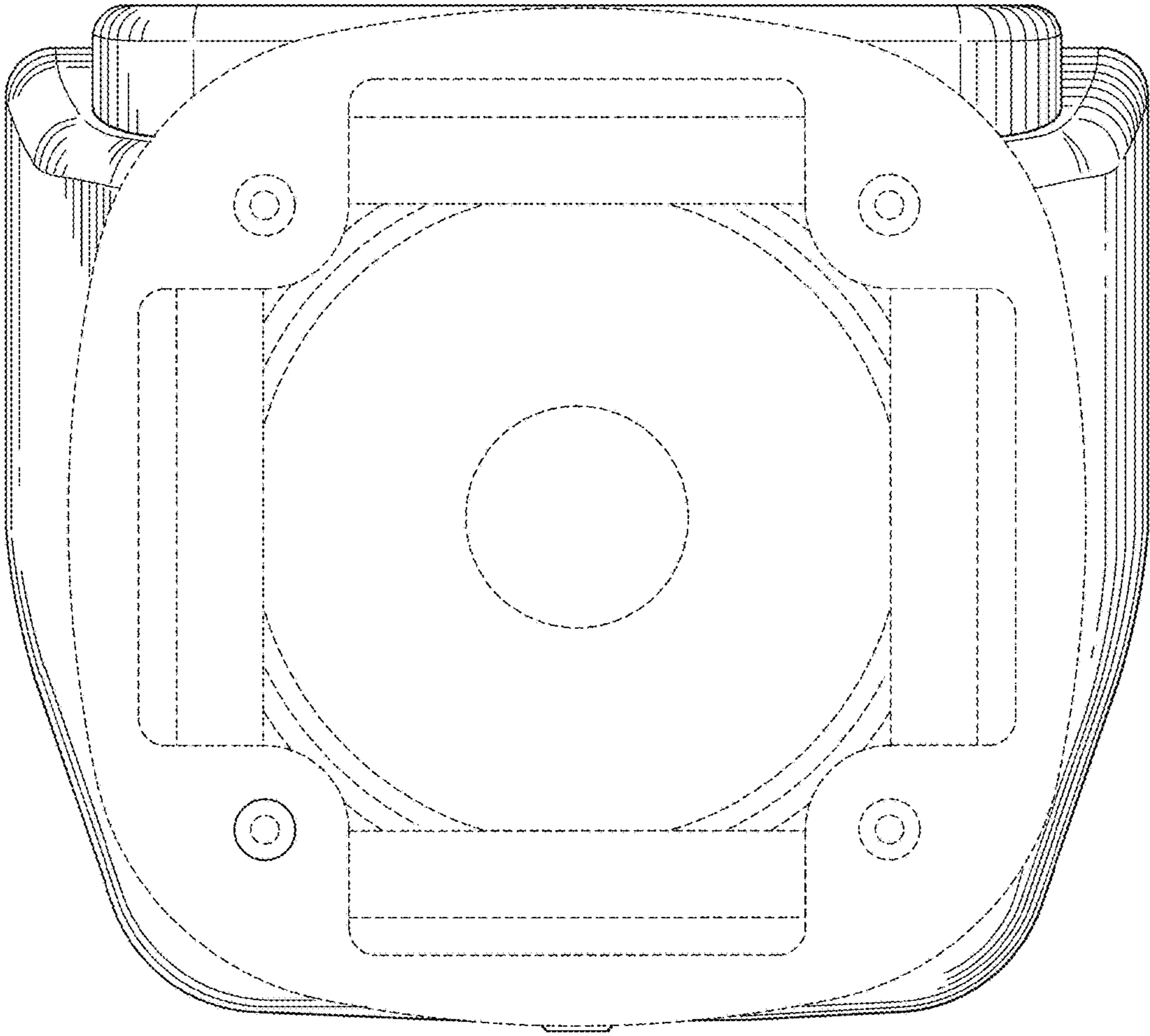


FIG.6