



US00D784580S

(12) **United States Design Patent**  
**Smith**

(10) **Patent No.:** **US D784,580 S**

(45) **Date of Patent:** **\*\* Apr. 18, 2017**

(54) **LED STRIP LIGHT WITH SPRING-CLIP  
BASE, FLEXIBLE NECK, USB POWER PORT**

(71) Applicant: **Daniel Smith**, Lincoln, AL (US)

(72) Inventor: **Daniel Smith**, Lincoln, AL (US)

(\*\*) Term: **15 Years**

(21) Appl. No.: **29/540,737**

(22) Filed: **Sep. 28, 2015**

(51) **LOC (10) Cl.** ..... **26-03**

(52) **U.S. Cl.**  
USPC ..... **D26/60; D26/61**

(58) **Field of Classification Search**  
USPC ..... D26/1, 24, 60, 61, 63, 65, 85, 92, 93,  
D26/104, 106  
CPC ..... F21V 21/14; F21V 21/00; F21V 14/00;  
F21V 21/088; F21S 8/00; F21S 8/003;  
F21S 8/043; F21Y 2105/001; G03B 15/02  
See application file for complete search history.

(56) **References Cited**

**U.S. PATENT DOCUMENTS**

6,666,563	B2	12/2003	Brown	
6,808,289	B2	10/2004	Reed	
D498,322	S *	11/2004	Schnell	D26/60
7,481,554	B2 *	1/2009	Anderson	F21V 21/088 362/183
D630,358	S *	1/2011	Nelson	D26/60
D636,917	S *	4/2011	Nelson	D26/60
D641,902	S *	7/2011	Chan	D26/60
D642,312	S *	7/2011	Rothman	D26/60

8,500,293	B2 *	8/2013	Sutton	G03B 15/02 307/150
D694,448	S *	11/2013	Li	D26/62
D707,870	S *	6/2014	Hodgson	D26/62
D737,492	S *	8/2015	Li	D26/60
D754,900	S *	4/2016	Mumma	D26/60

\* cited by examiner

*Primary Examiner* — Brian N Vinson

(74) *Attorney, Agent, or Firm* — Shifrin Patent Law; Dan Shifrin

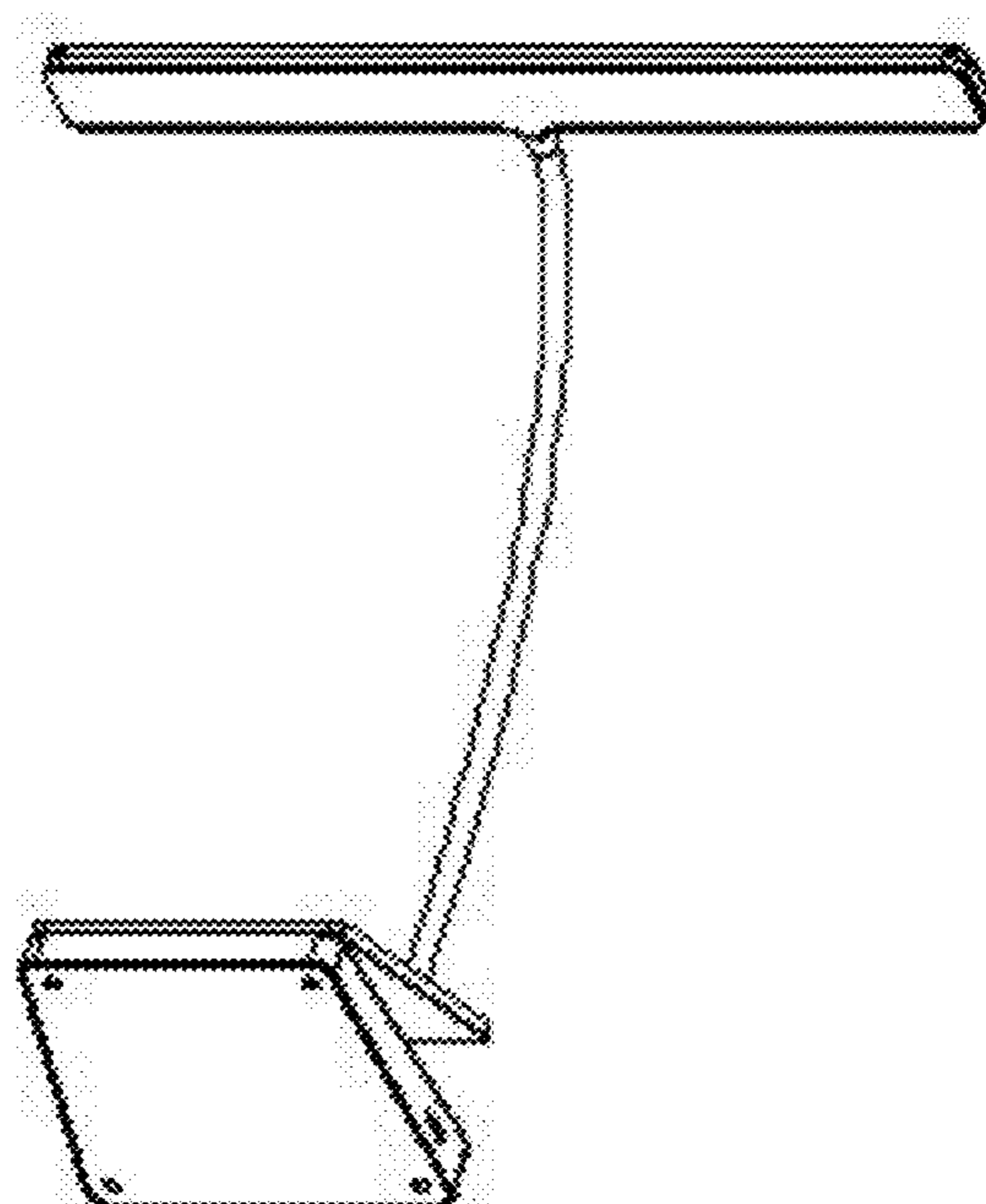
(57) **CLAIM**

The ornamental design of a LED strip light with a spring-clip base, a flexible neck, a USB power port, as substantially shown and described.

**DESCRIPTION**

FIG. 1 is a front view of the LED strip light of the present invention;  
FIG. 2 is a rear view of the LED strip light of the present invention;  
FIG. 3 is a front perspective view of the LED strip light of the present invention;  
FIG. 4 is a left side view of the LED strip light of the present invention, the right side view being a mirror image thereof;  
FIG. 5 is a top view of the LED strip light of the present invention;  
FIG. 6 is a bottom view of the LED strip light of the present invention; and,  
FIG. 7 is a close-up perspective view of the base of the LED strip light of the present invention with a touch switch and USB power port.

**1 Claim, 4 Drawing Sheets**



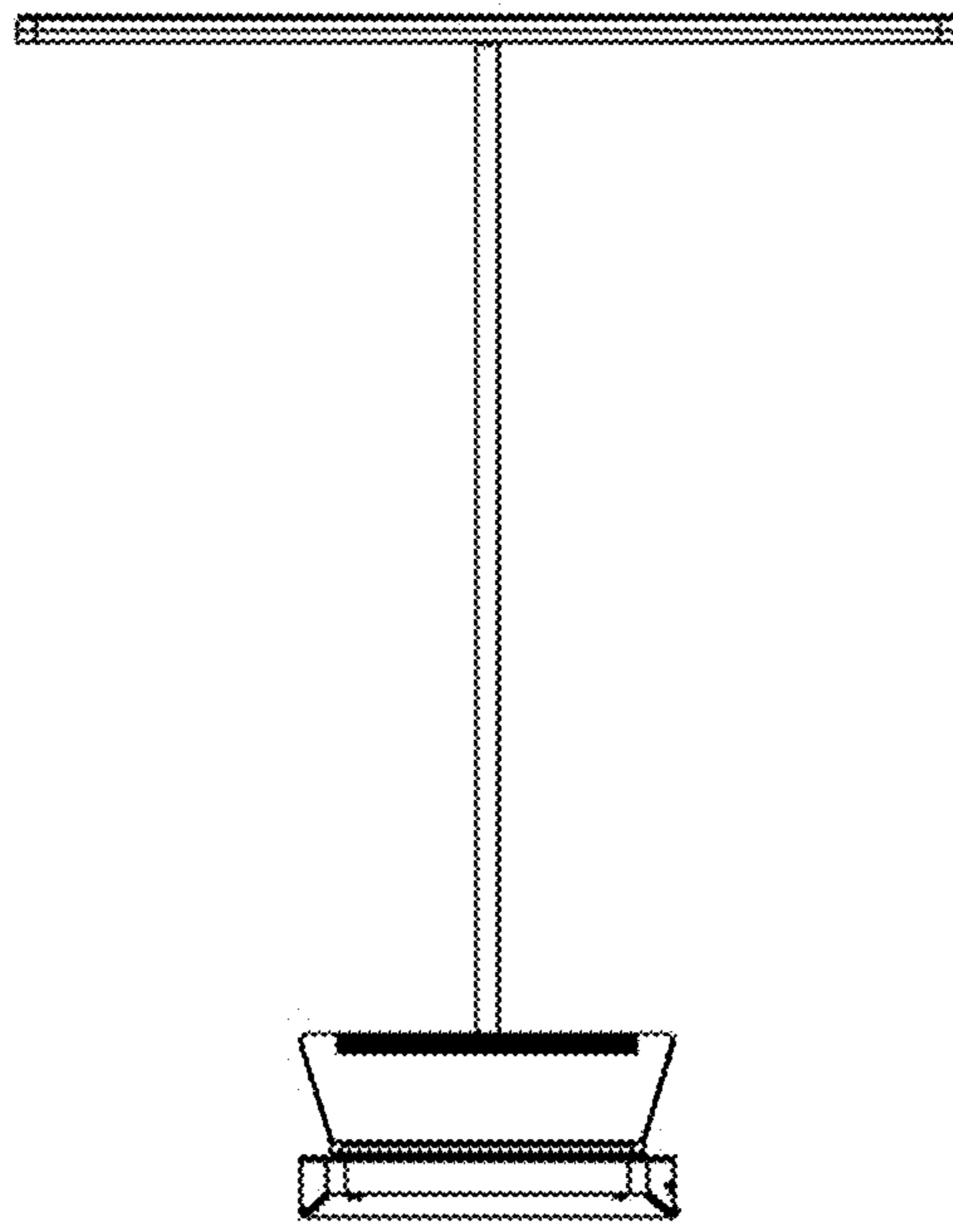


FIG. 1

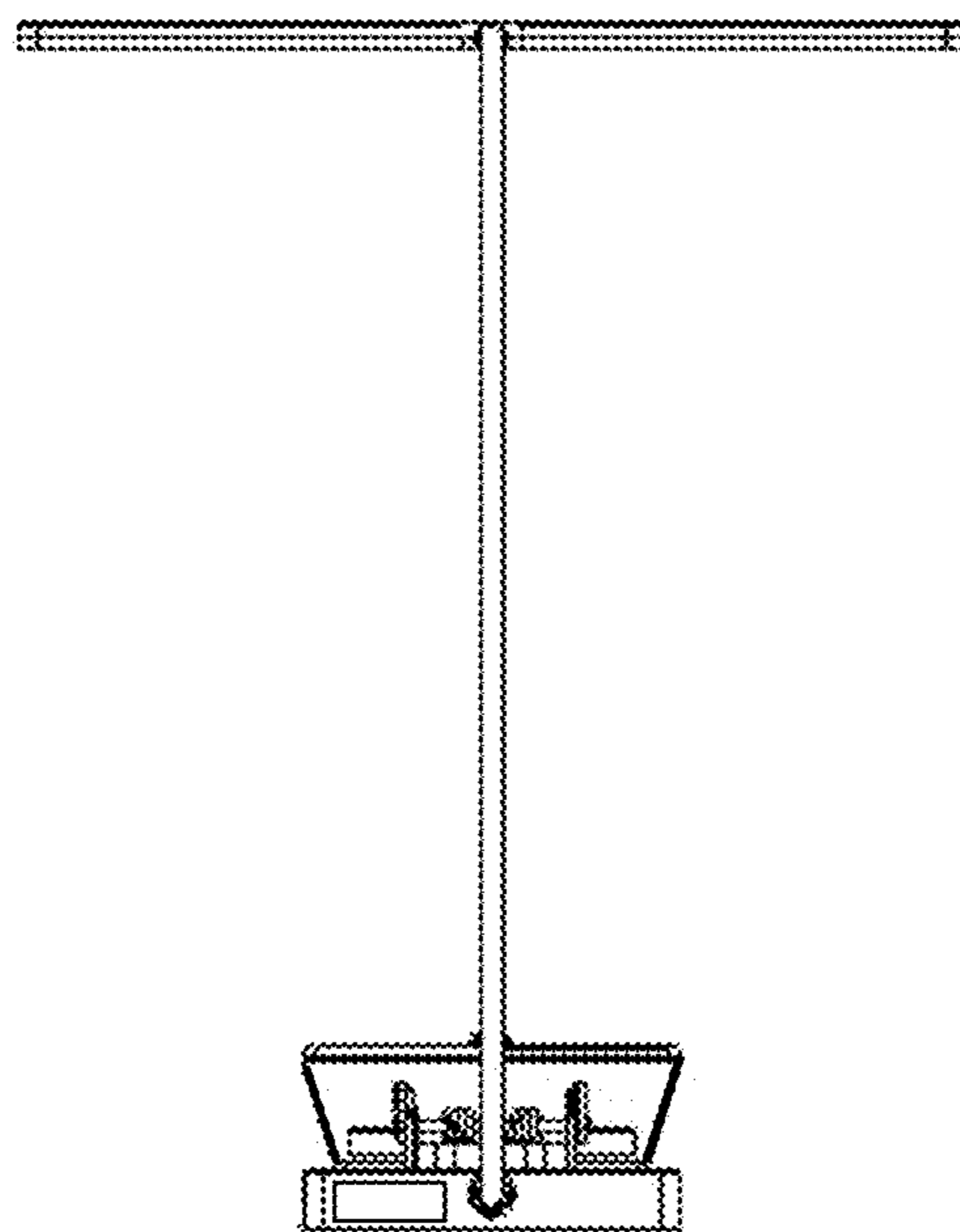


FIG. 2

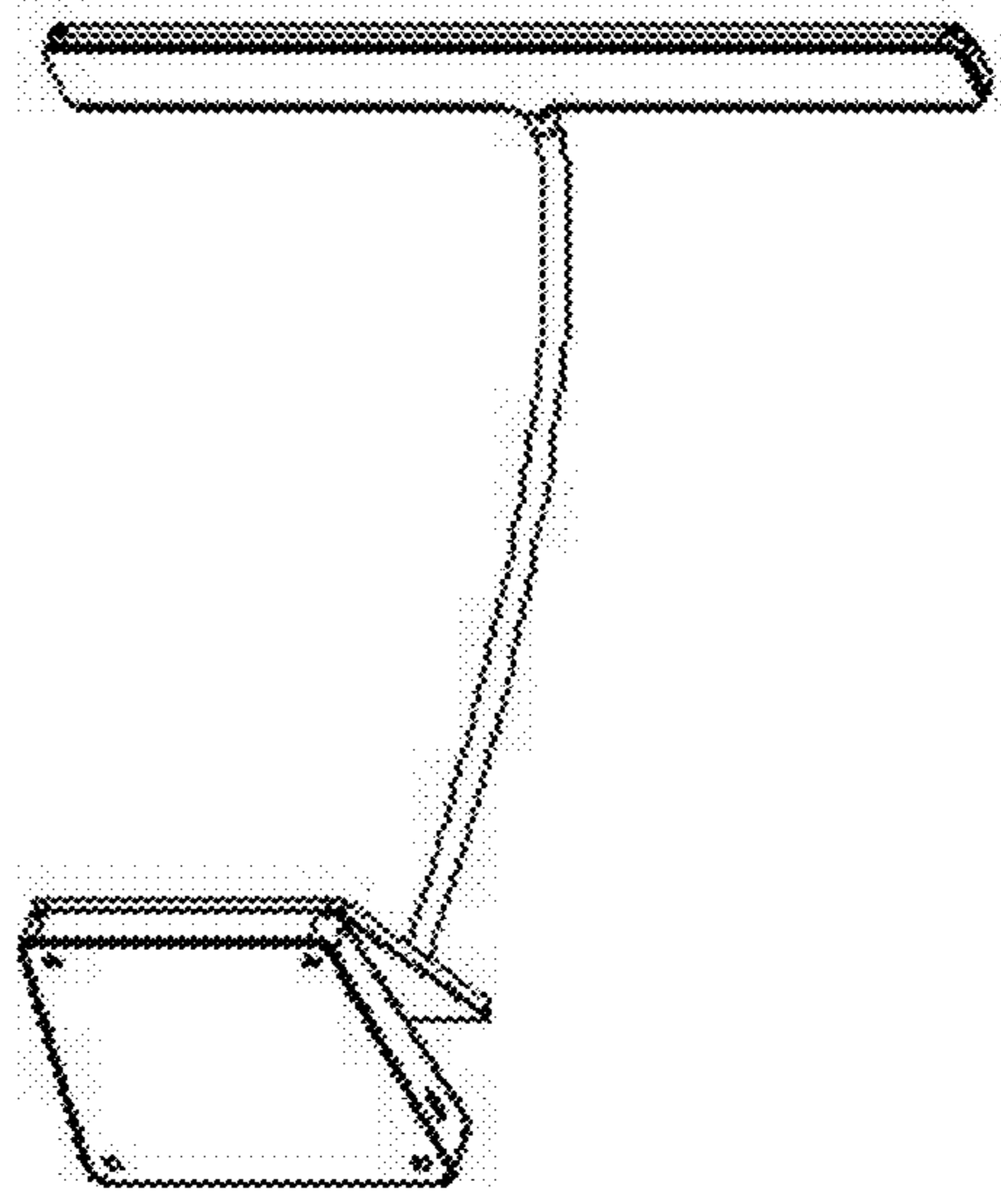


FIG. 3

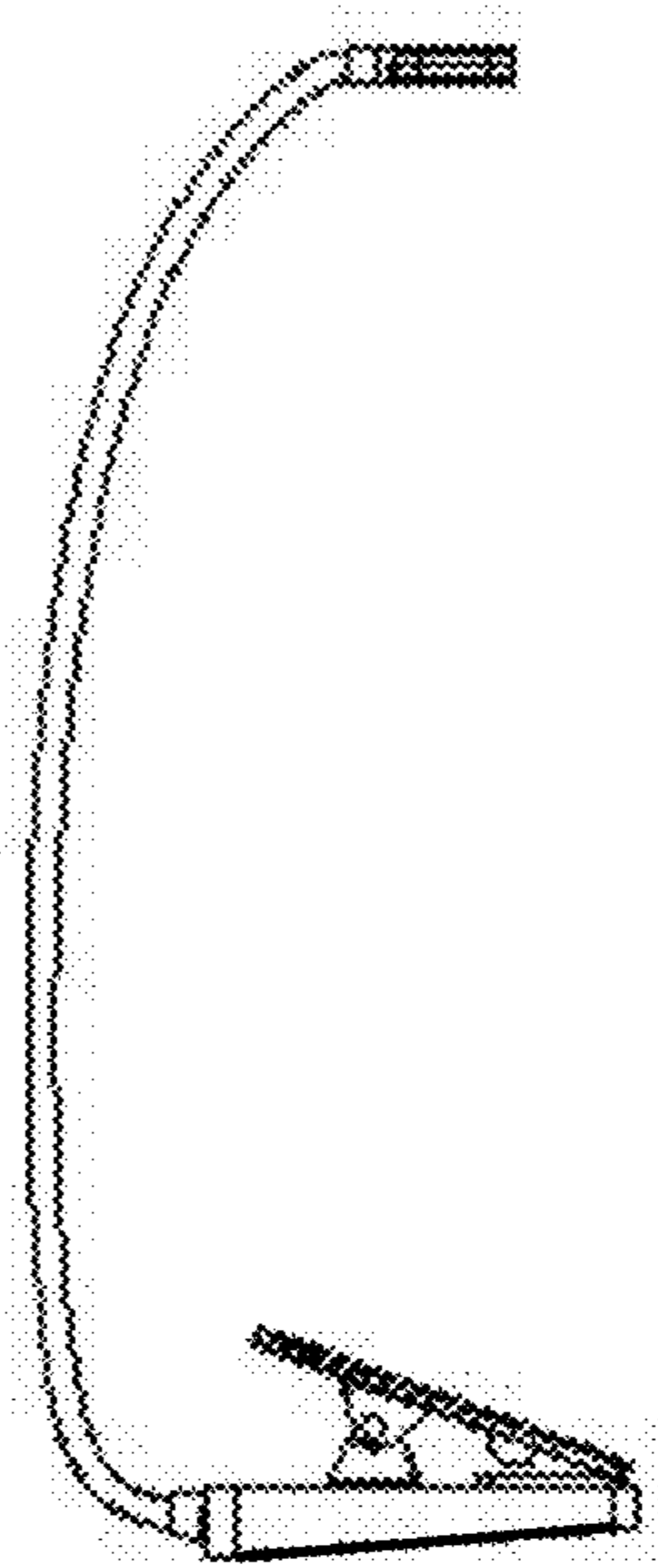


FIG. 4

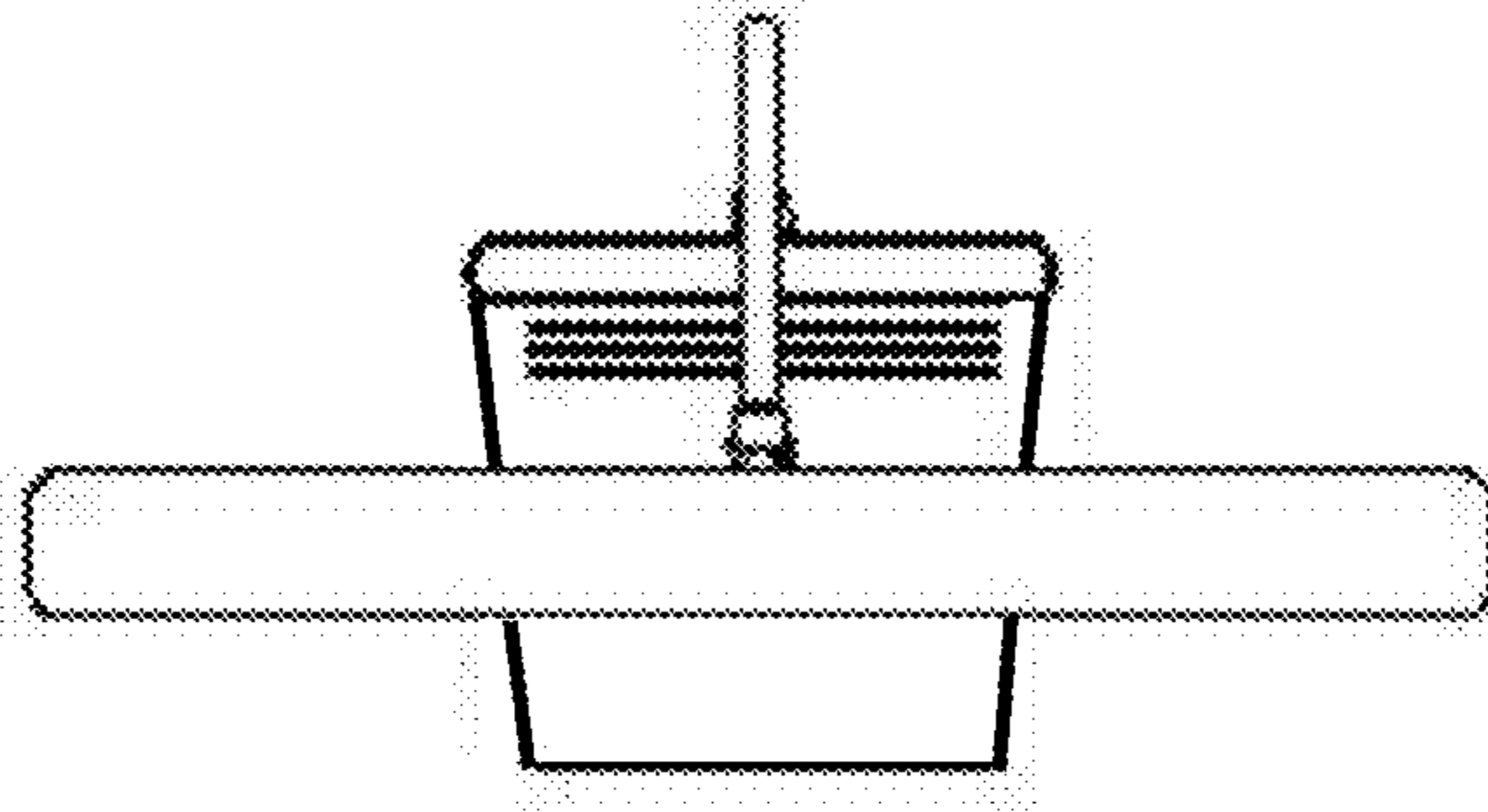


FIG. 5

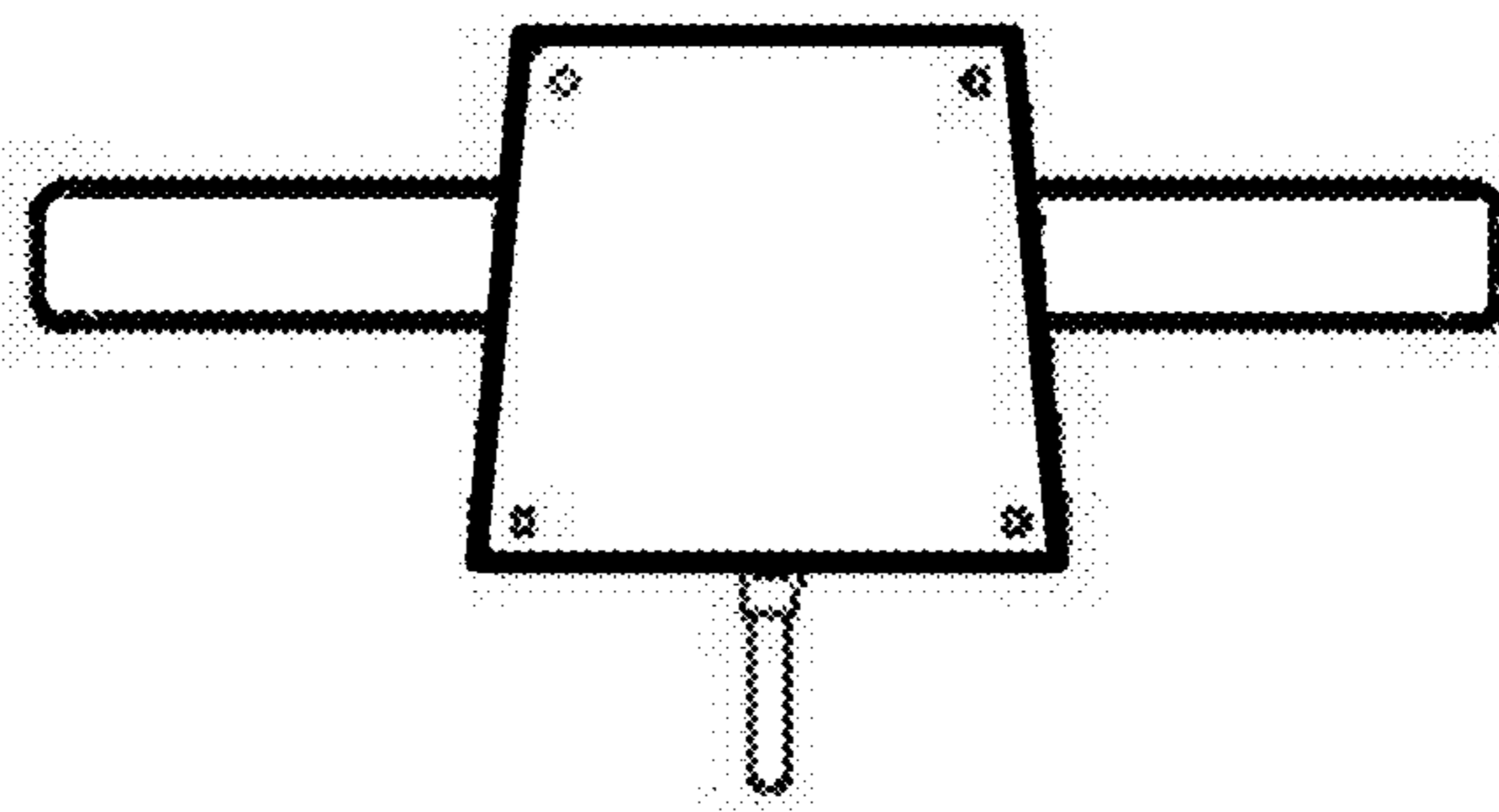


FIG. 6

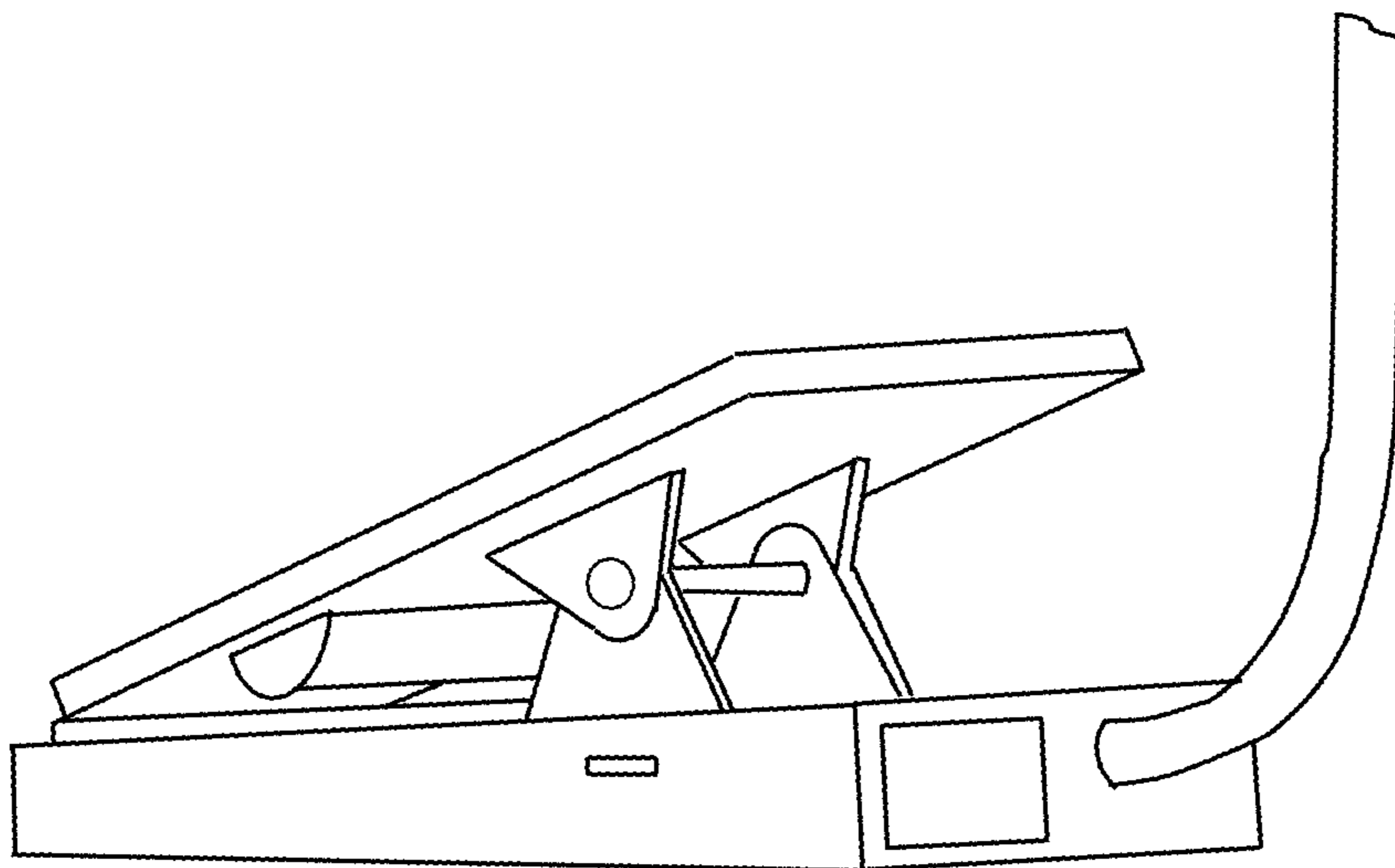


FIG. 7