



US00D784577S

(12) **United States Design Patent**  
**Giolito**

(10) **Patent No.:** **US D784,577 S**

(45) **Date of Patent:** **\*\* Apr. 18, 2017**

(54) **VEHICLE HEADLIGHT**

(71) Applicant: **FCA Italy S.p.A.**, Turin (IT)

(72) Inventor: **Roberto Giolito**, Turin (IT)

(73) Assignee: **FCA ITALY S.p.A.**, Turin (IT)

(\*\*) Term: **15 Years**

(21) Appl. No.: **29/553,655**

(22) Filed: **Feb. 3, 2016**

(30) **Foreign Application Priority Data**

Aug. 4, 2015 (EM) ..... 002748574

(51) **LOC (10) Cl.** ..... **26-06**

(52) **U.S. Cl.**  
USPC ..... **D26/28**

(58) **Field of Classification Search**  
USPC ..... D26/28-36; 362/80-83, 267-269,  
362/459-468, 475-478, 485-487  
CPC ..... F21S 48/00; F21S 48/10; F21S 48/115;  
F21S 48/225; F21S 48/1233; F21S  
48/1266; F21S 48/1388; F21S 48/2268;  
F21V 21/04  
See application file for complete search history.

(56) **References Cited**

**U.S. PATENT DOCUMENTS**

D538,956 S \* 3/2007 Ishii ..... D26/28  
D544,614 S \* 6/2007 Markefka ..... D26/28  
D561,358 S \* 2/2008 Tachibana ..... D26/28  
D570,007 S \* 5/2008 Hsu ..... D26/28

D582,587 S \* 12/2008 Yang ..... D26/28  
D593,232 S \* 5/2009 Koman ..... D26/28  
D635,694 S \* 4/2011 Yang ..... D26/28

\* cited by examiner

*Primary Examiner* — Marcus Jackson

(74) *Attorney, Agent, or Firm* — Cowan, Liebowitz &  
Latman, P.C.

(57) **CLAIM**

The ornamental design for a vehicle headlight, as shown and described.

**DESCRIPTION**

FIG. 1 is a front perspective view of the vehicle headlight showing my design thereof;

FIG. 2 is a front view thereof;

FIG. 3 is a rear view thereof;

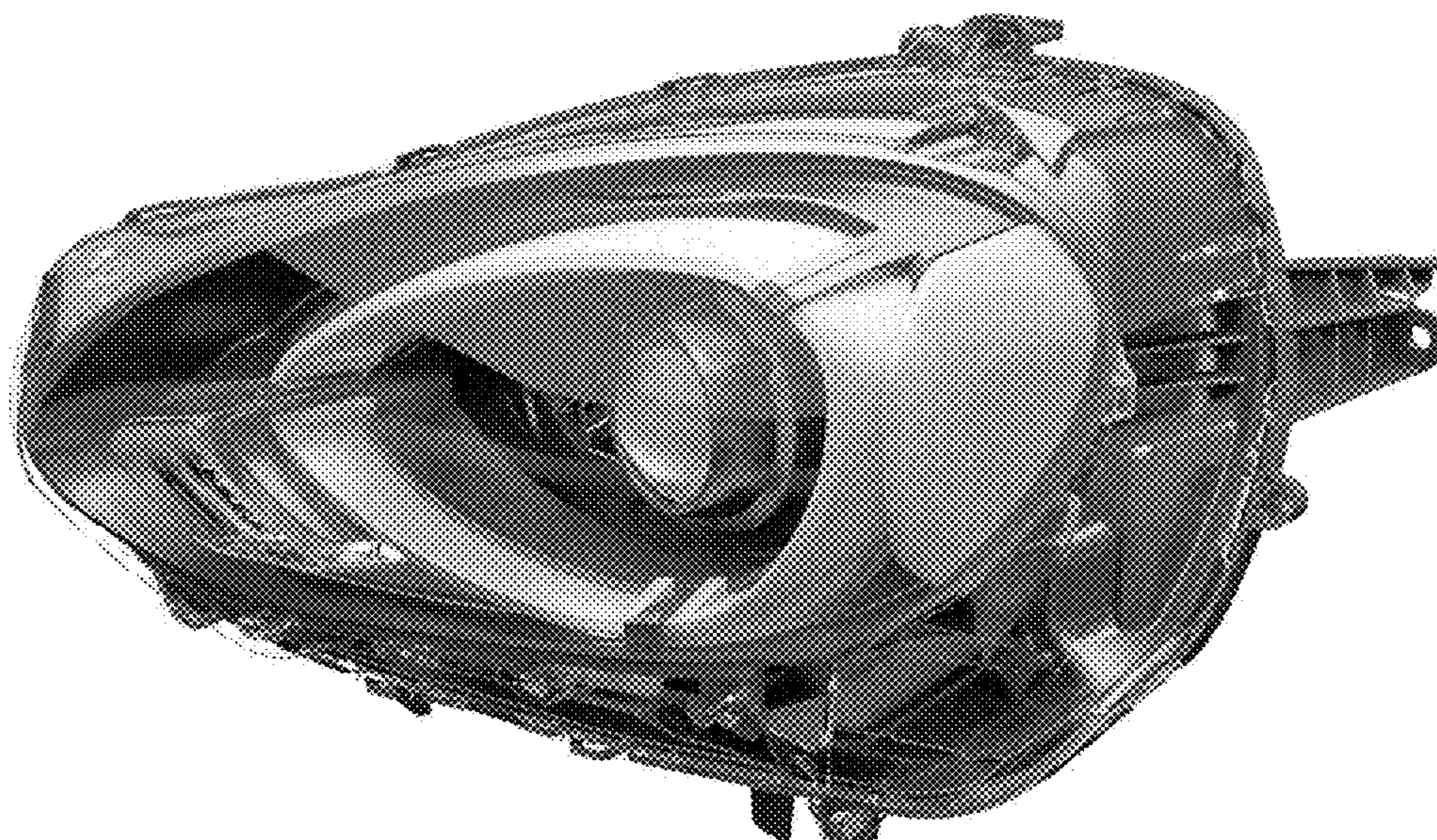
FIG. 4 is a right side view thereof;

FIG. 5 is a left side view thereof;

FIG. 6 is a top view thereof; and,

FIG. 7 is a bottom view thereof.

**1 Claim, 7 Drawing Sheets**



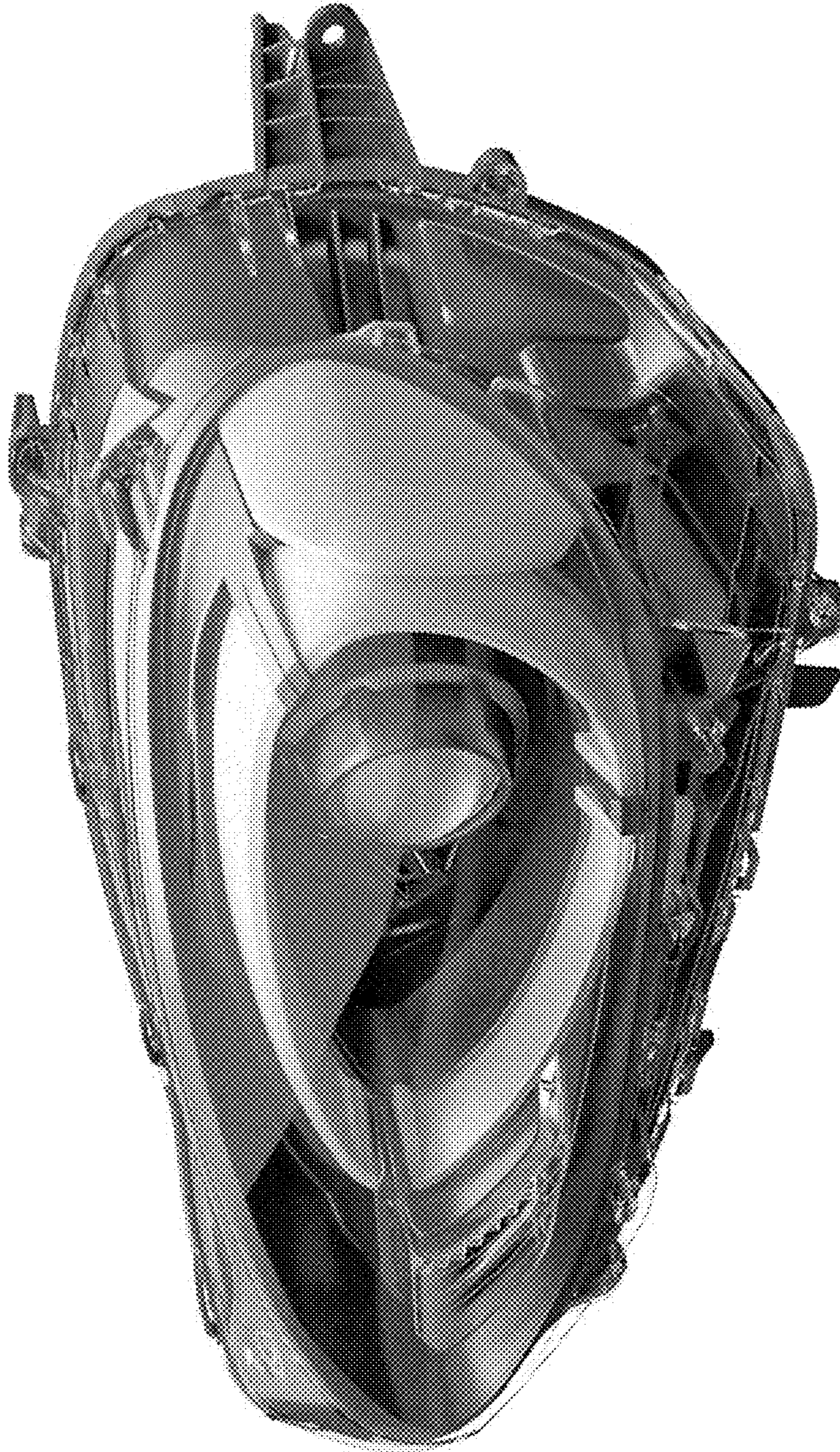


Fig. 1

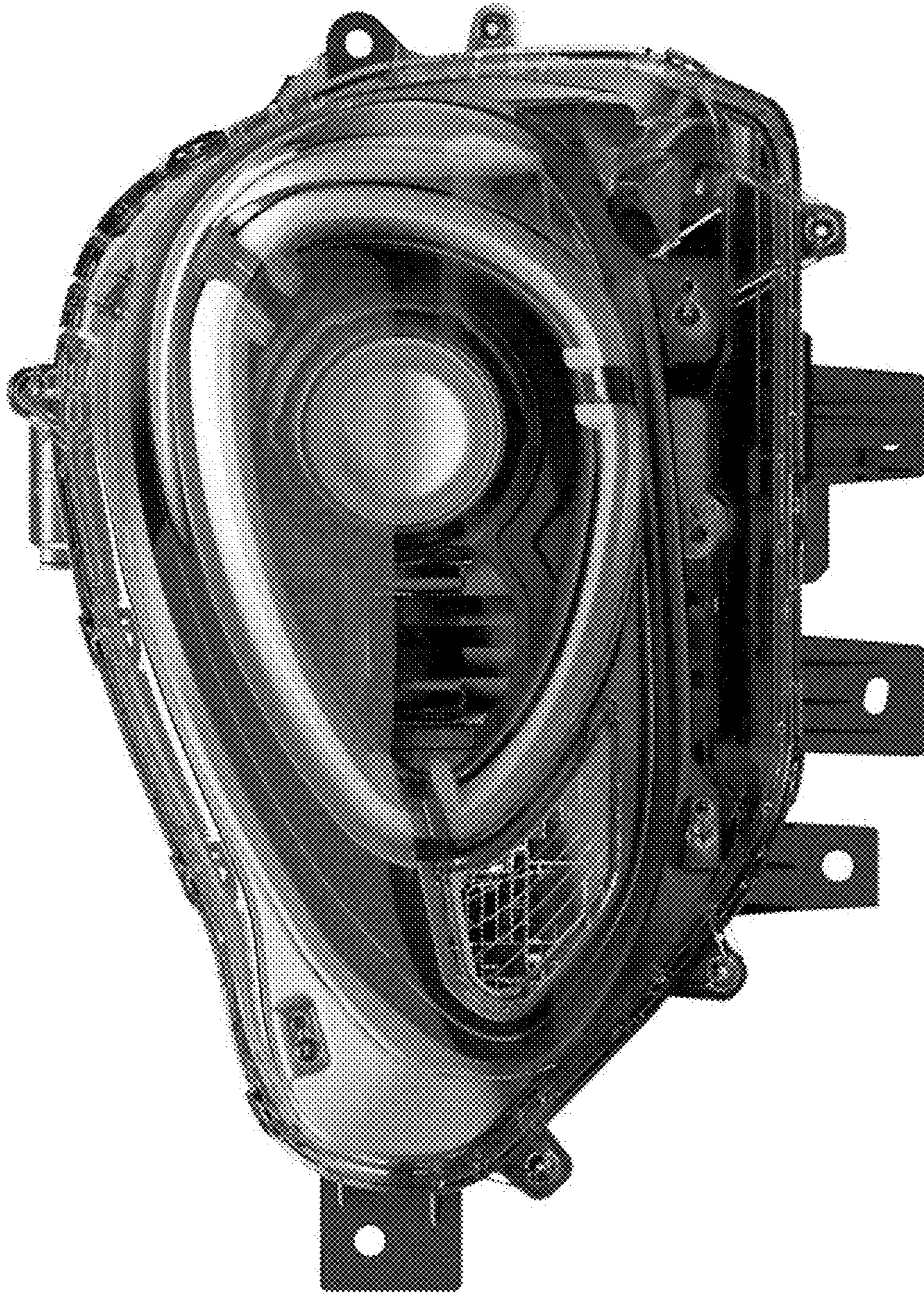


Fig. 2

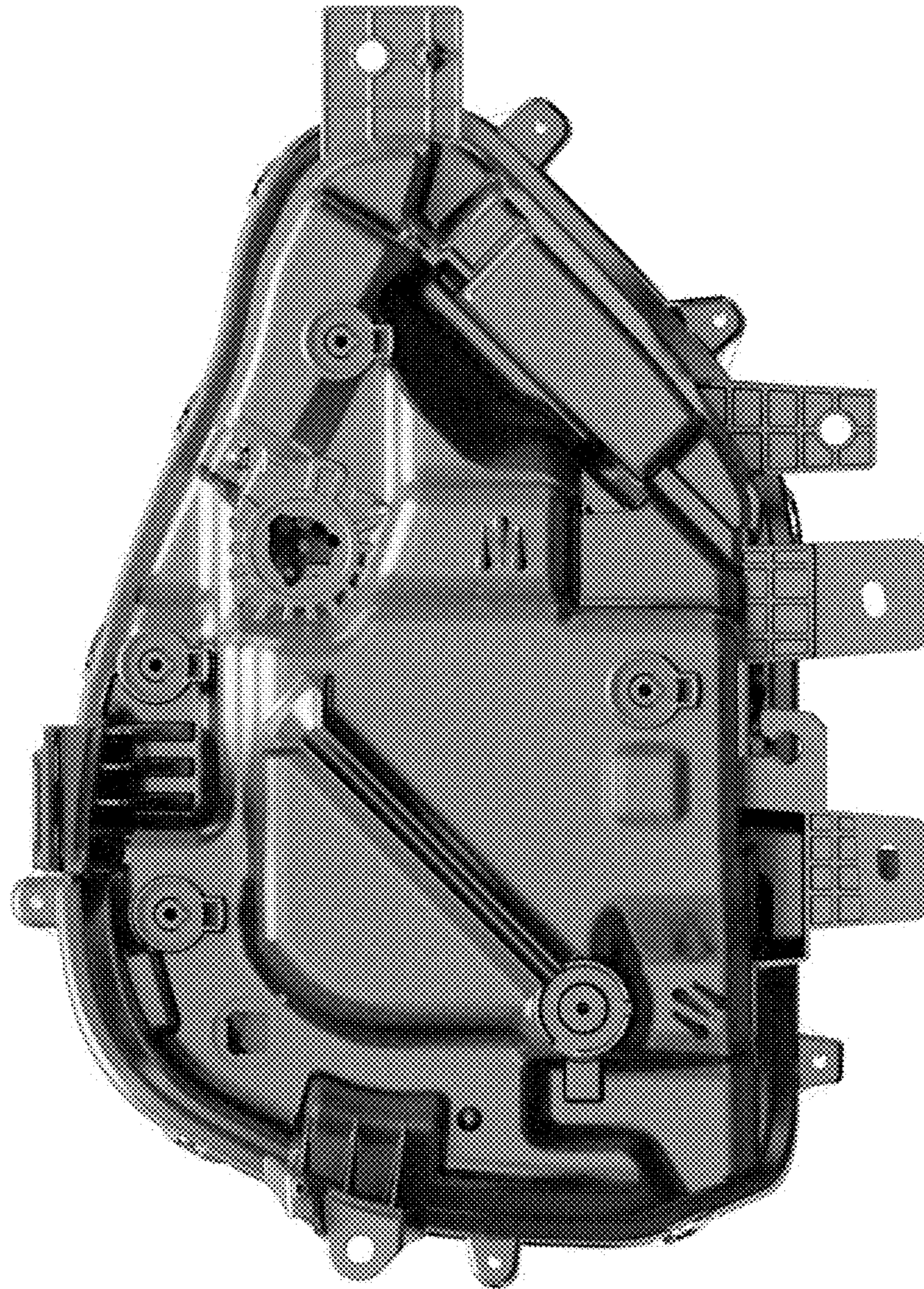


Fig. 3

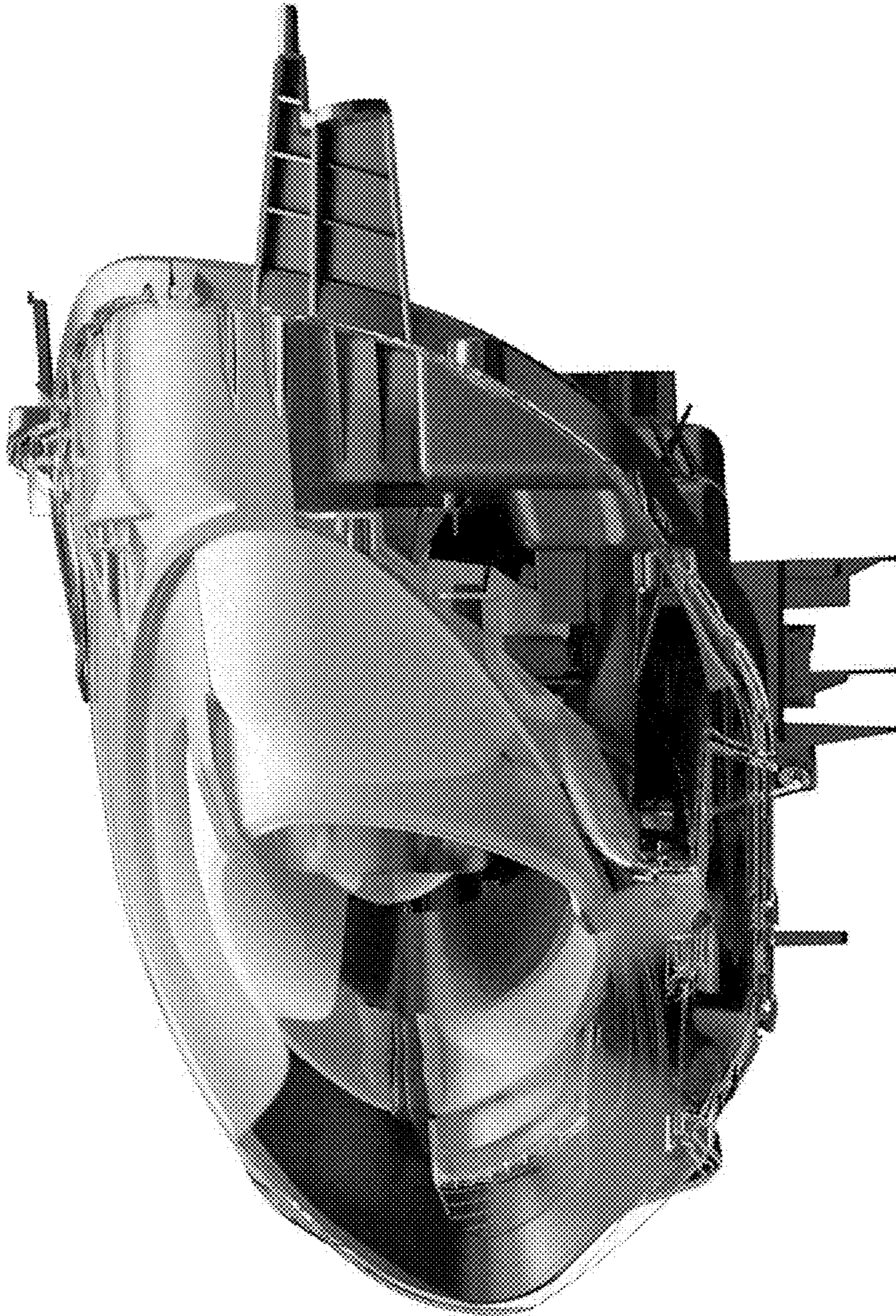


Fig. 4

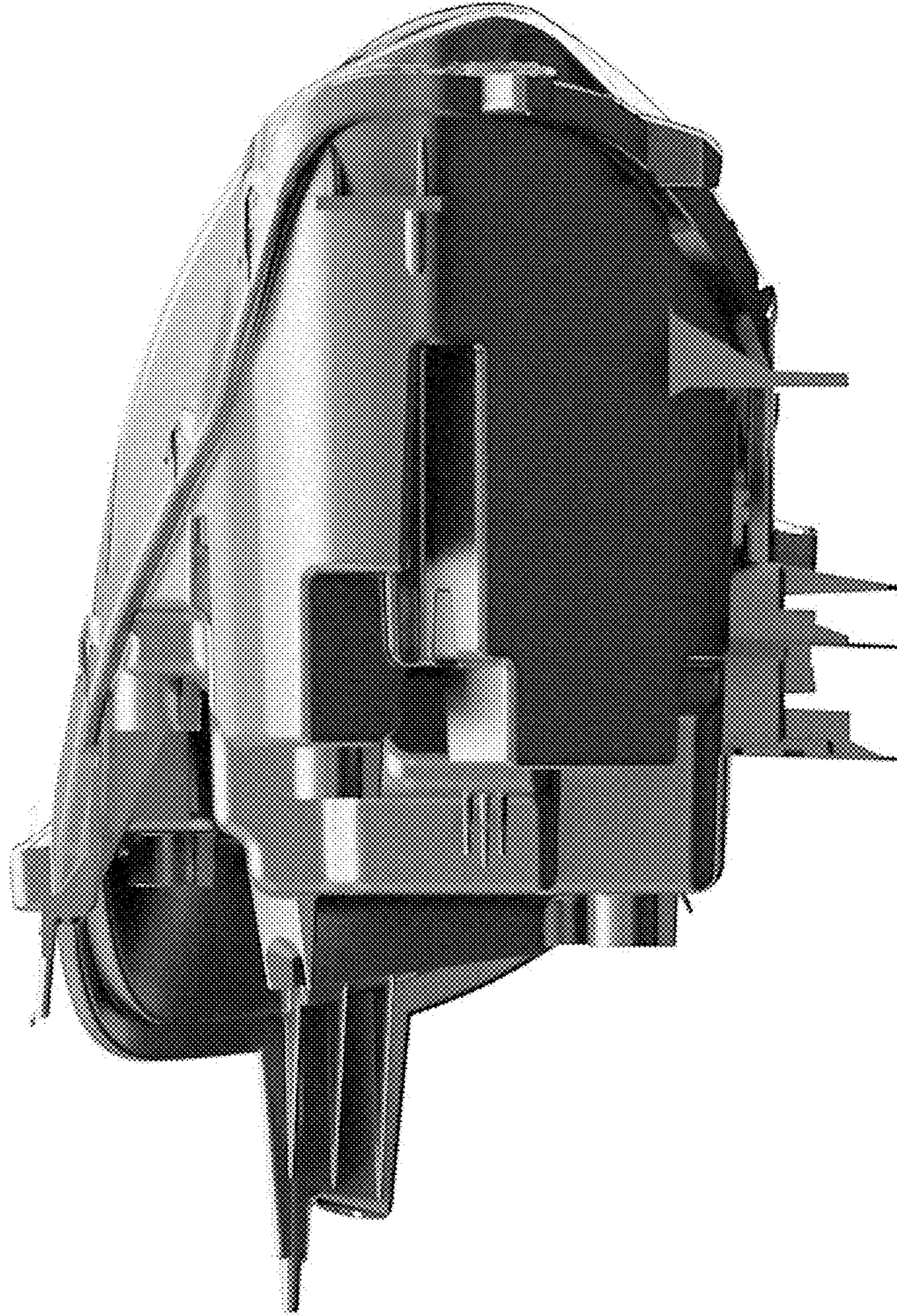


Fig. 5

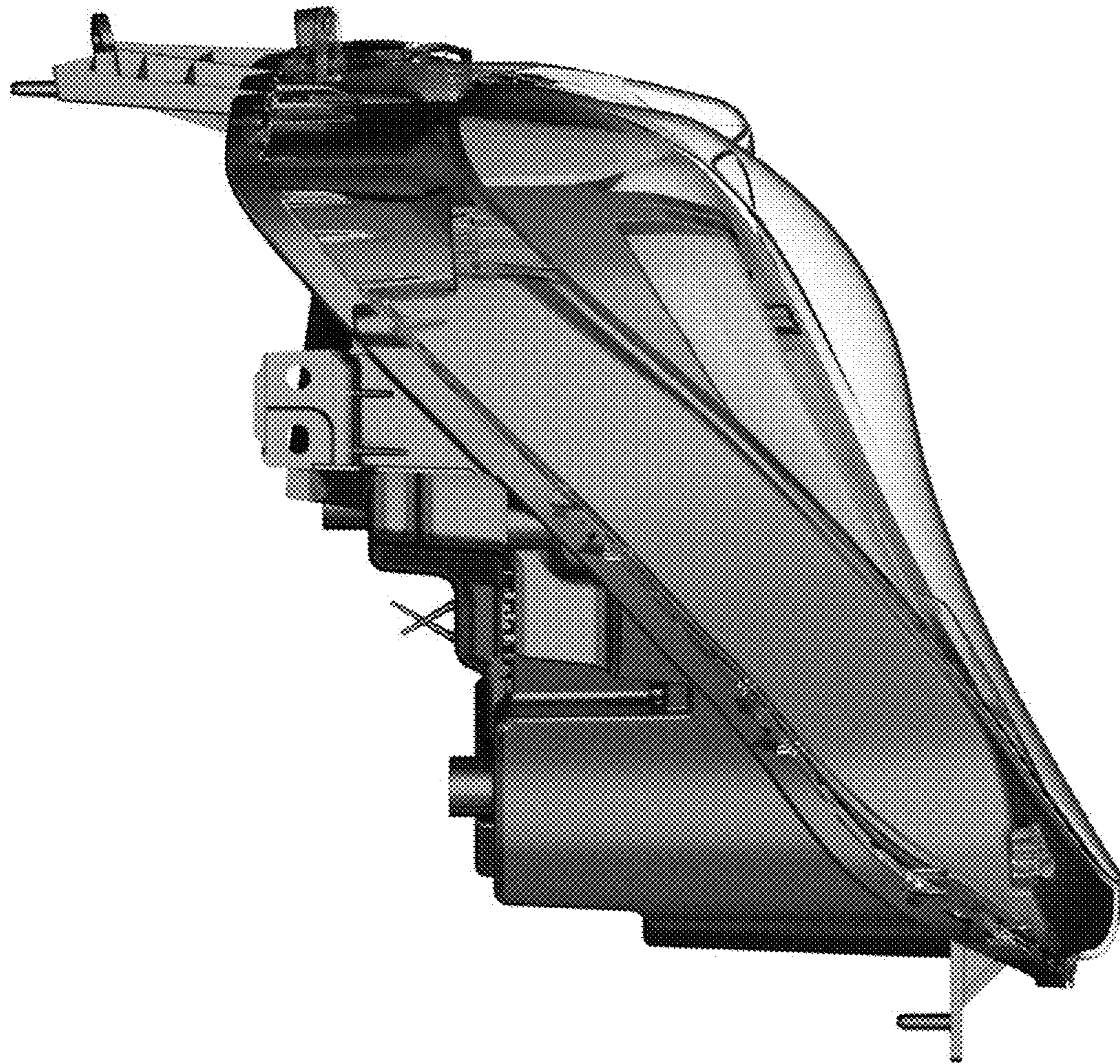


Fig. 6

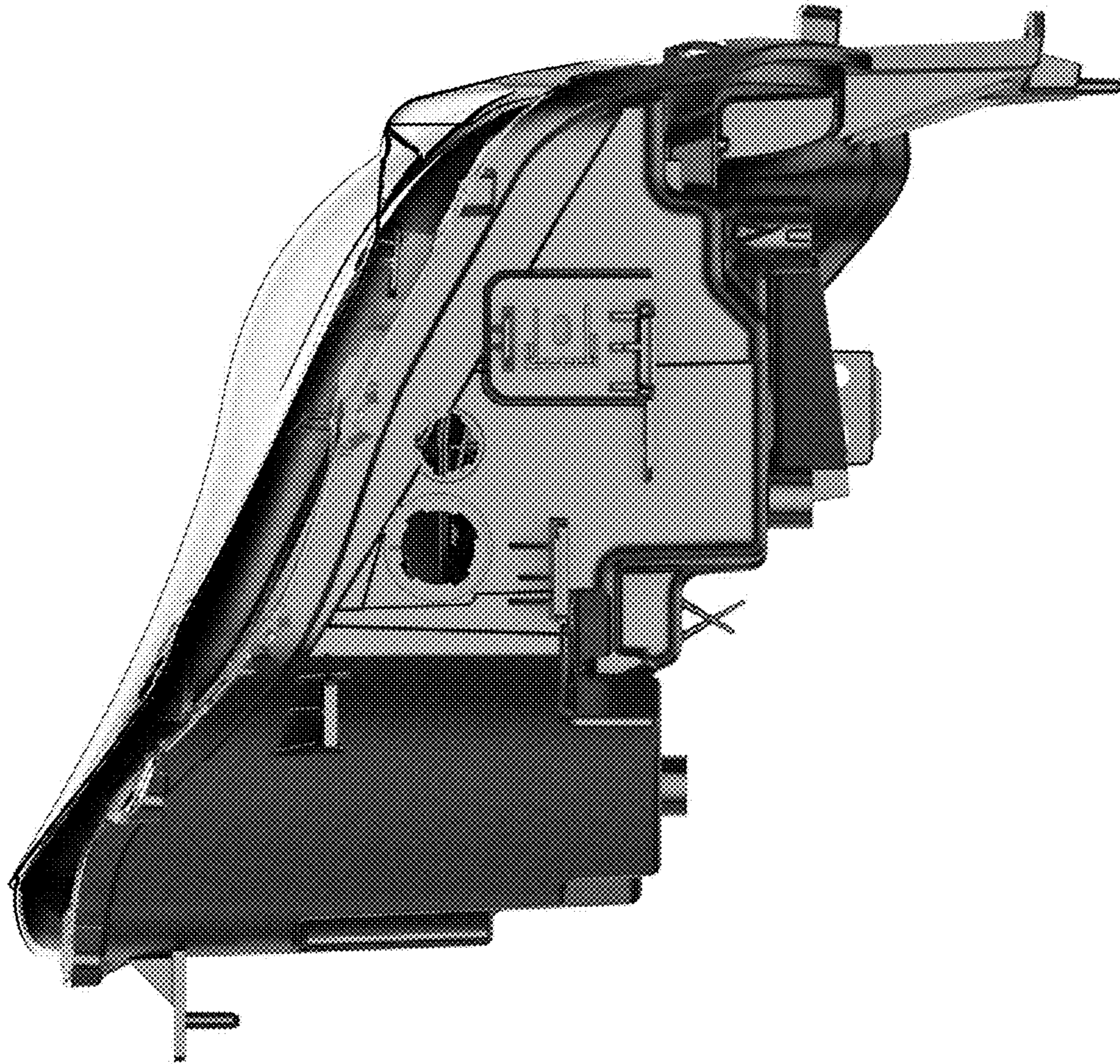


Fig. 7