



US00D784575S

(12) **United States Design Patent**
Kawakami

(10) **Patent No.:** **US D784,575 S**
(45) **Date of Patent:** **** Apr. 18, 2017**

(54) **HEADLAMP FOR A BICYCLE**

FOREIGN PATENT DOCUMENTS

(71) Applicant: **Cateye Co., Ltd.**, Osaka (JP)

JP D1294290 2/2007

(72) Inventor: **Kenta Kawakami**, Osaka (JP)

JP D1438428 4/2012

(73) Assignee: **Cateye Co., Ltd.**, Osaka (JP)

TW D128759 5/2009

(**) Term: **15 Years**

* cited by examiner

(21) Appl. No.: **29/549,781**

Primary Examiner — Marcus Jackson

(22) Filed: **Dec. 28, 2015**

(74) *Attorney, Agent, or Firm* — Arnstein & Lehr LLP

(30) **Foreign Application Priority Data**

(57) **CLAIM**

Jul. 1, 2015 (JP) 2015-014642

The ornamental design for a headlamp for a bicycle, as shown.

(51) **LOC (10) Cl.** **26-06**

(52) **U.S. Cl.**

USPC **D26/28**

(58) **Field of Classification Search**

DESCRIPTION

USPC D26/28–36; 362/80–83, 267–269,
362/459–468, 475–478, 485–487

CPC F21S 48/00; F21S 48/10; F21S 48/115;
F21S 48/225; F21S 48/1233; F21S
48/1266; F21S 48/1388; F21S 48/2268;
F21V 21/04; F21V 5/00; F21V 21/08;
F21V 21/088

See application file for complete search history.

FIG. 1 is a perspective view of a headlamp for a bicycle showing my new design;

FIG. 2 is a front view thereof;

FIG. 3 is a rear view thereof;

FIG. 4 is a top plan view thereof;

FIG. 5 is a bottom plan view thereof;

FIG. 6 is a right side view thereof; and,

FIG. 7 is a left side view thereof.

(56) **References Cited**

U.S. PATENT DOCUMENTS

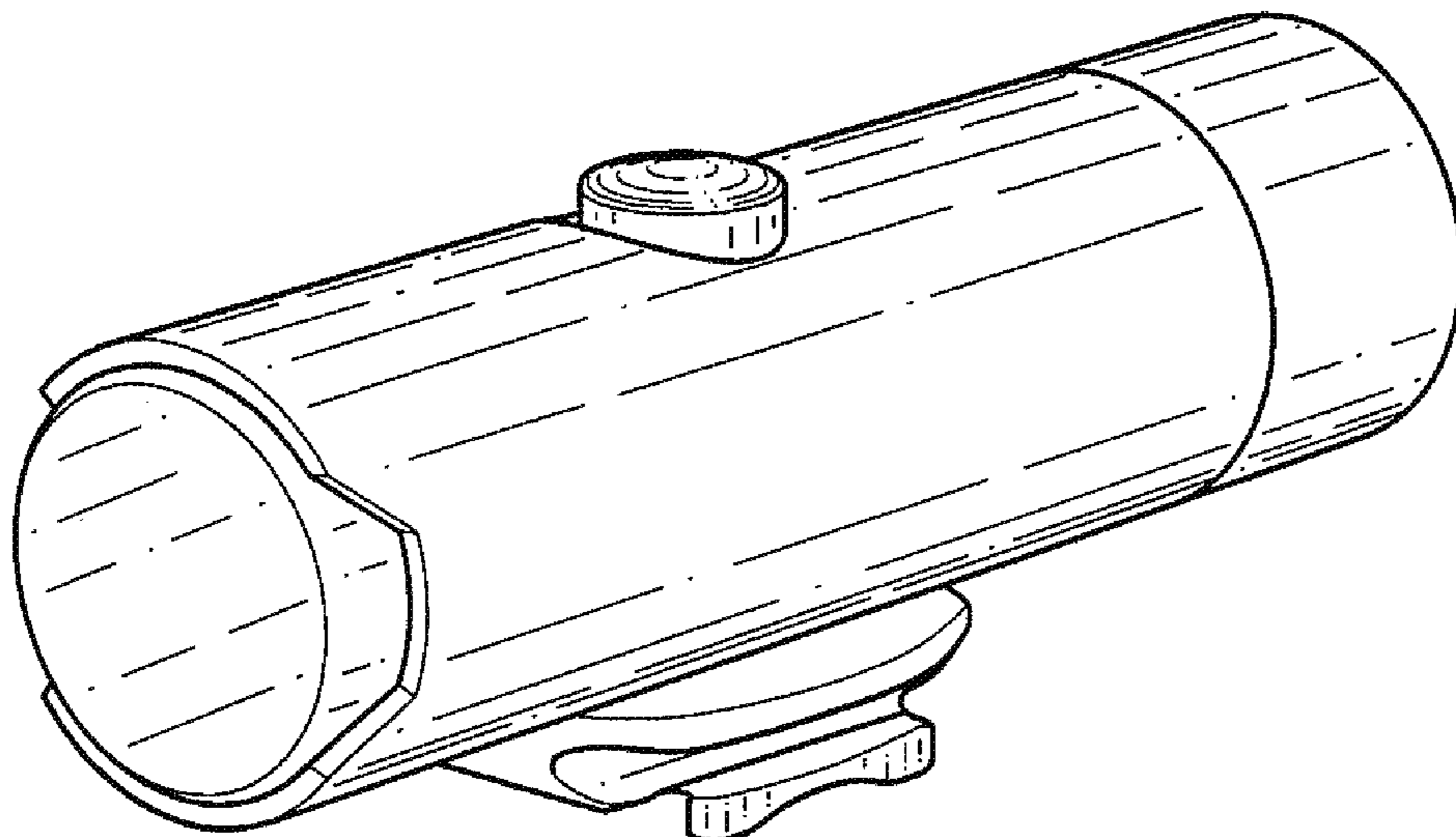
D520,155 S * 5/2006 Okuda D26/28

D529,639 S * 10/2006 Okuda D26/28

D532,129 S * 11/2006 Chen D26/28

D540,966 S 4/2007 Ueda et al.

1 Claim, 4 Drawing Sheets



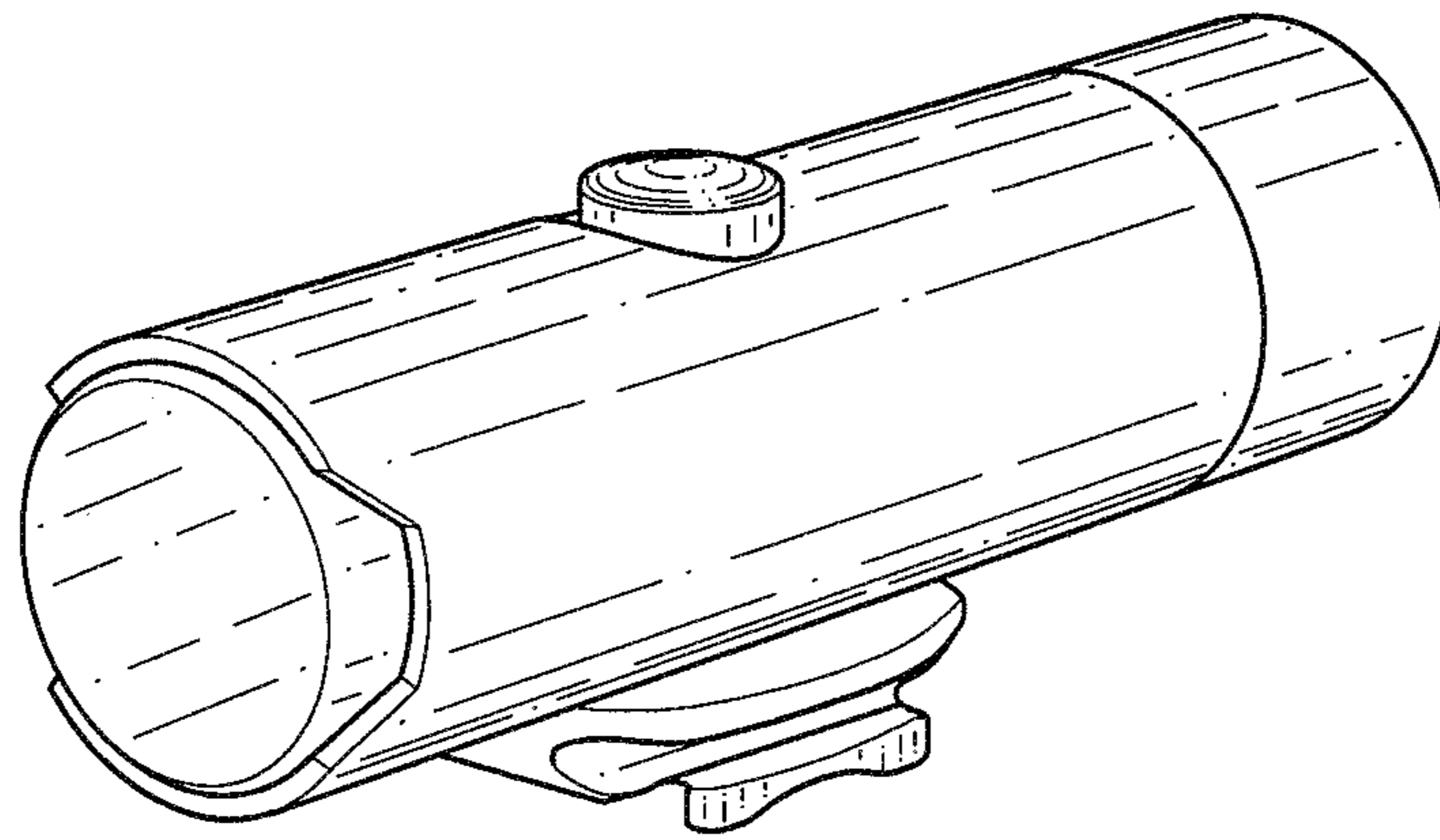


Fig. 1

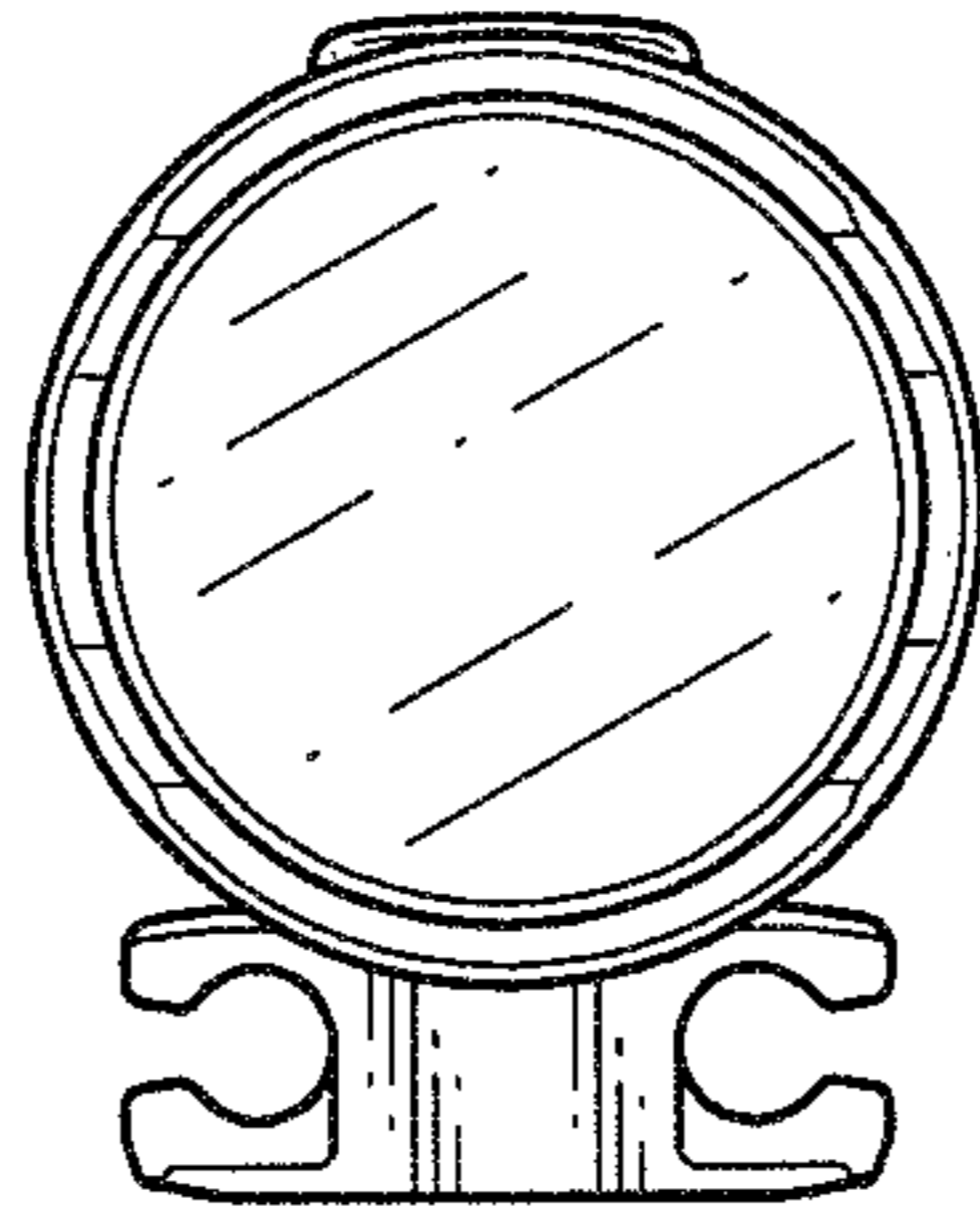


Fig. 2

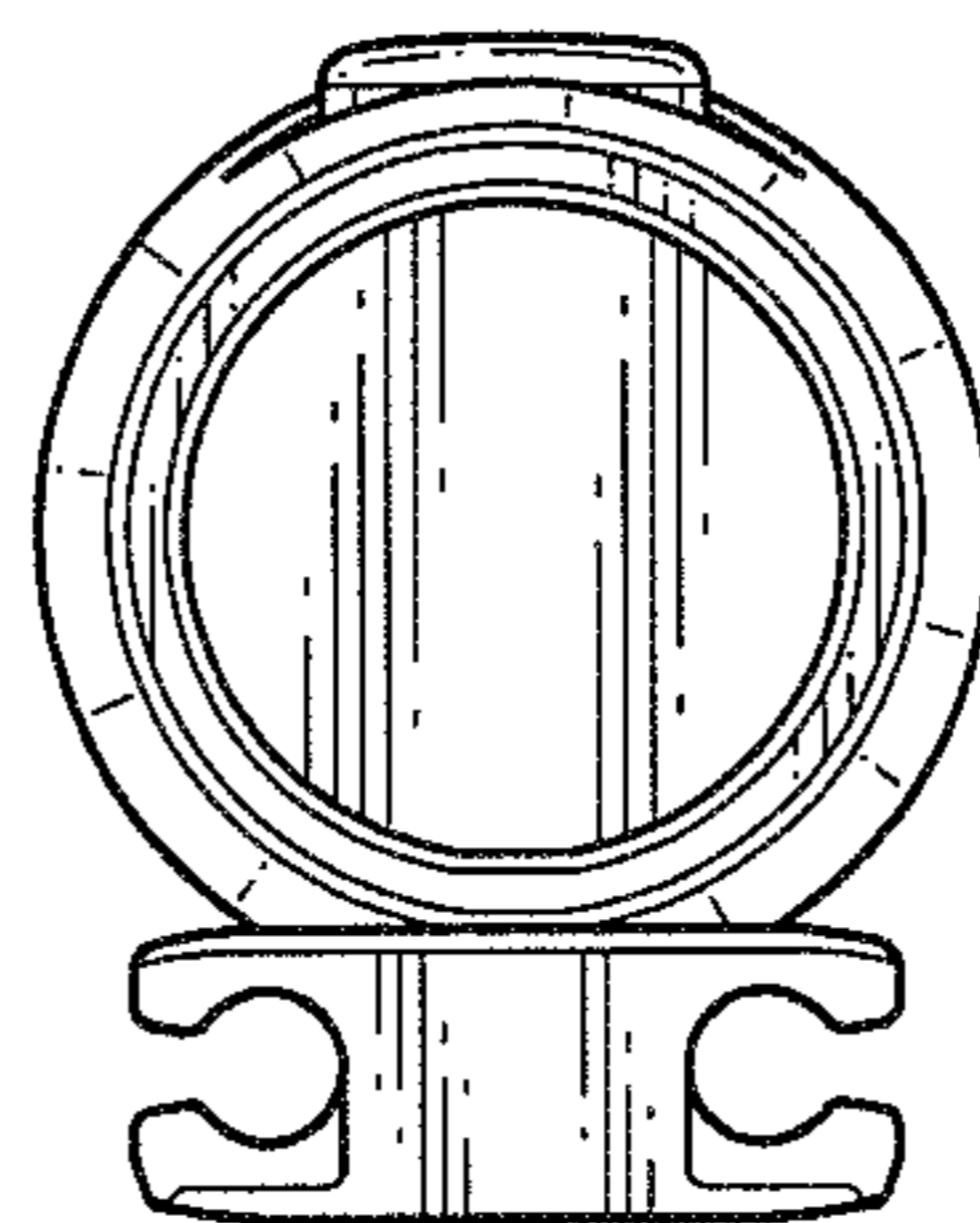


Fig. 3

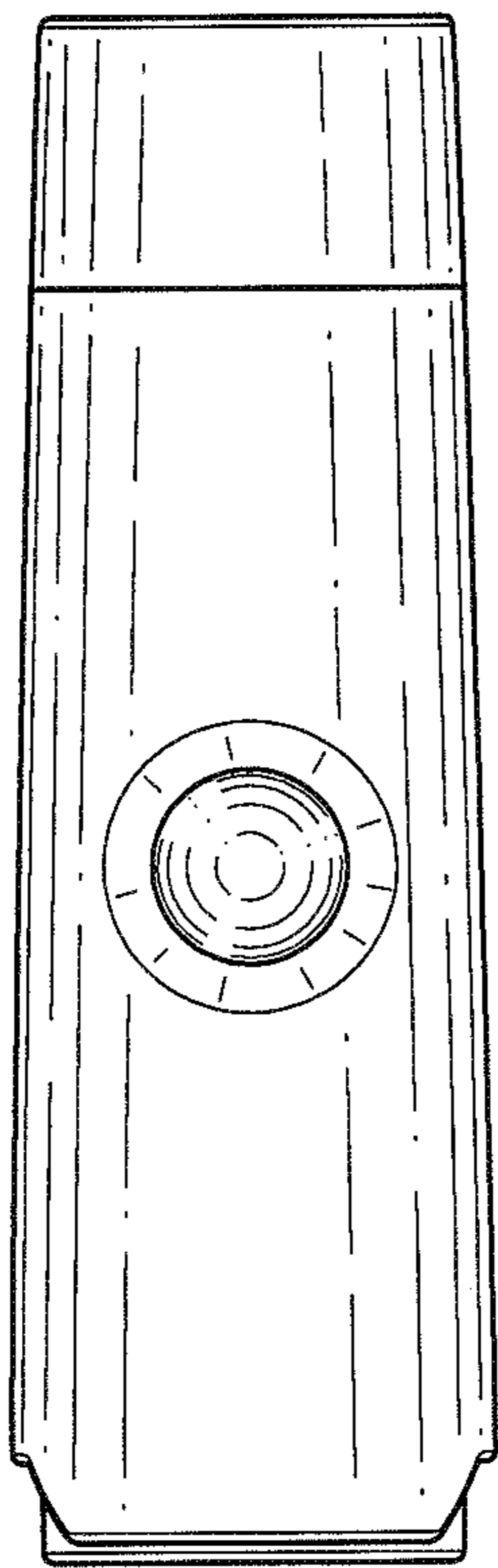


Fig. 4

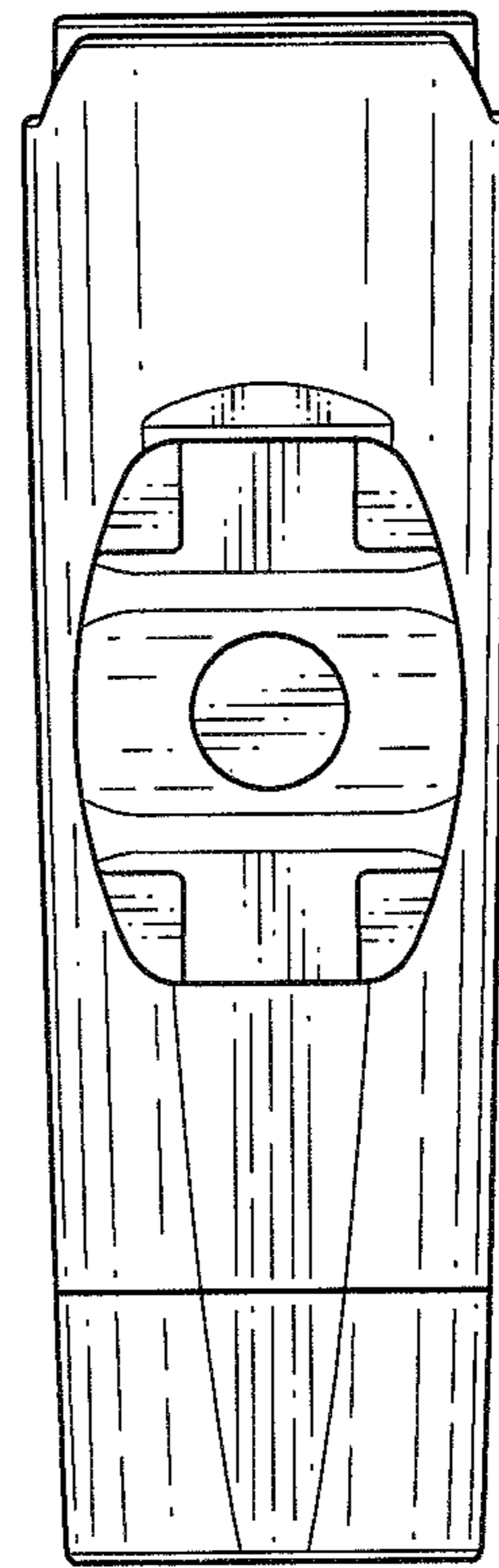


Fig. 5

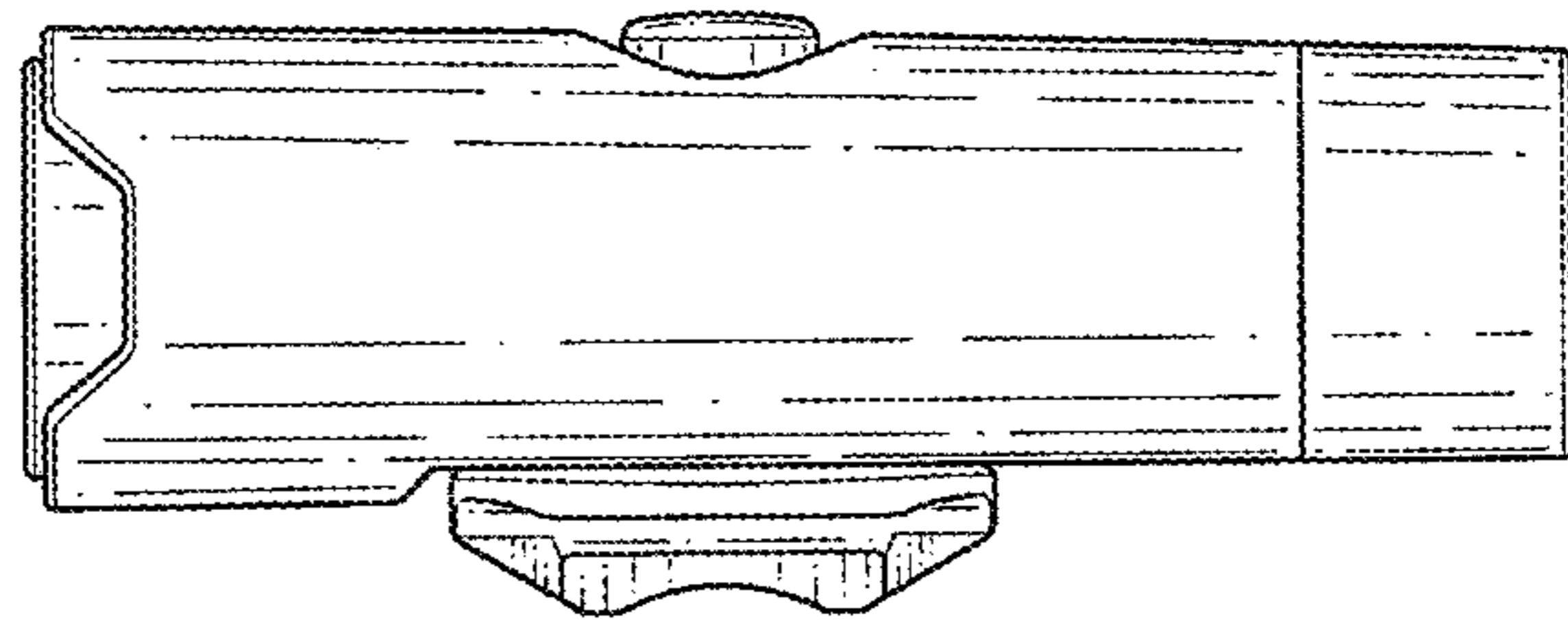


Fig. 6

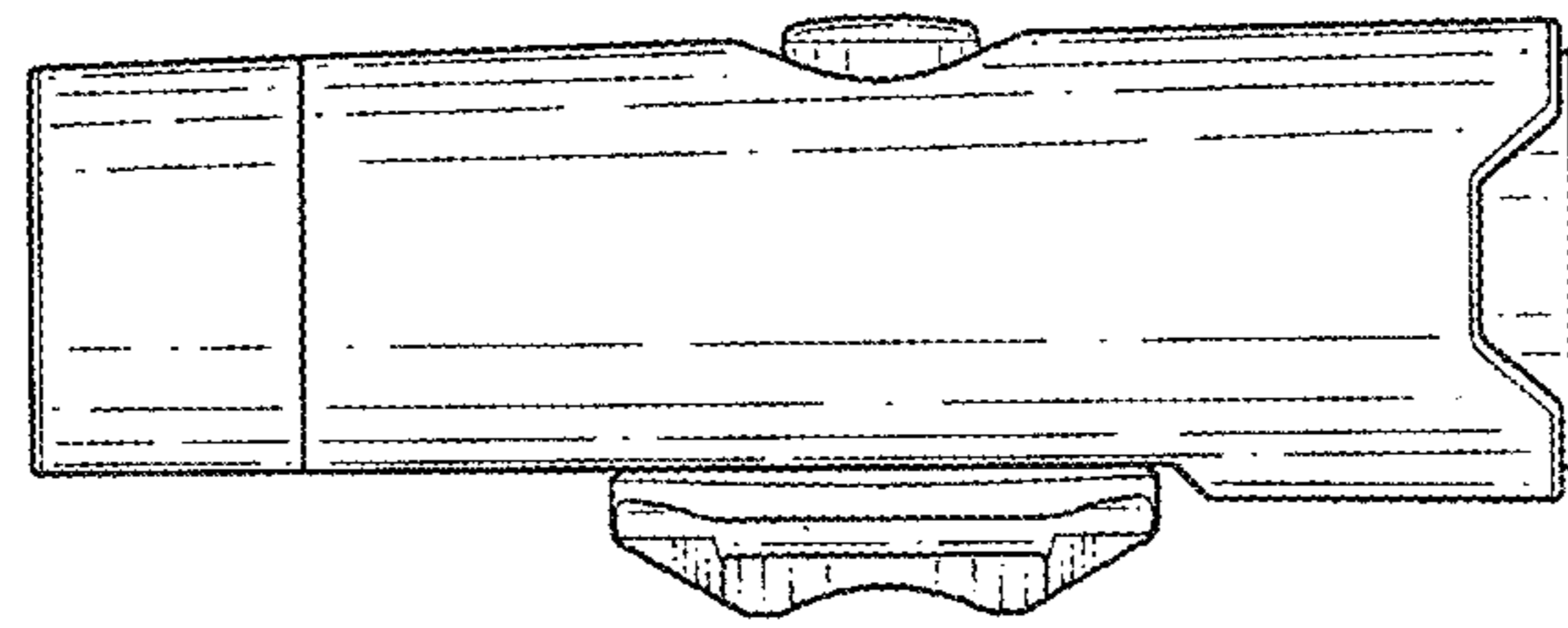


Fig. 7