



US00D784559S

(12) **United States Design Patent** (10) **Patent No.:** **US D784,559 S**
Bizzarri et al. (45) **Date of Patent:** **** Apr. 18, 2017**

(54) **RAIL**

(71) Applicant: **CPG International LLC**, Scranton, PA (US)

(72) Inventors: **Paul M. Bizzarri**, Mason, OH (US); **Chip Herr**, Columbus, OH (US); **John M. Previte**, Dublin, OH (US); **Kevin T. Burt**, Columbus, OH (US); **William G. Taylor**, Columbus, OH (US); **Matthew T. Fenneman**, Gahanna, OH (US); **Jeffrey R. Burr**, Loveland, OH (US); **Timothy C. Rothwell**, Dublin, OH (US)

(73) Assignee: **CPG International LLC**, Scranton, PA (US)

(**) Term: **15 Years**

(21) Appl. No.: **29/561,815**

(22) Filed: **Apr. 20, 2016**

Related U.S. Application Data

(63) Continuation of application No. 13/461,496, filed on May 1, 2012, which is a continuation of application No. 12/831,064, filed on Jul. 6, 2010, now Pat. No. 8,167,275, which is a continuation of application No. 11/292,269, filed on Nov. 30, 2005, now abandoned.

(51) **LOC (10) Cl.** **25-01**

(52) **U.S. Cl.**
USPC **D25/38.1**

(58) **Field of Classification Search**
USPC D25/38.1, 41.1, 42, 43, 44, 119, D25/120-126, 133-136, 164; 256/19, 59, 256/65.02, 65.03, 65.04, 65.08, 65.15, 256/65.16

CPC E04F 11/181; E04H 17/1421; E04H 17/20; E04H 2017/1482; E04H 2017/006; E04H 2017/1473

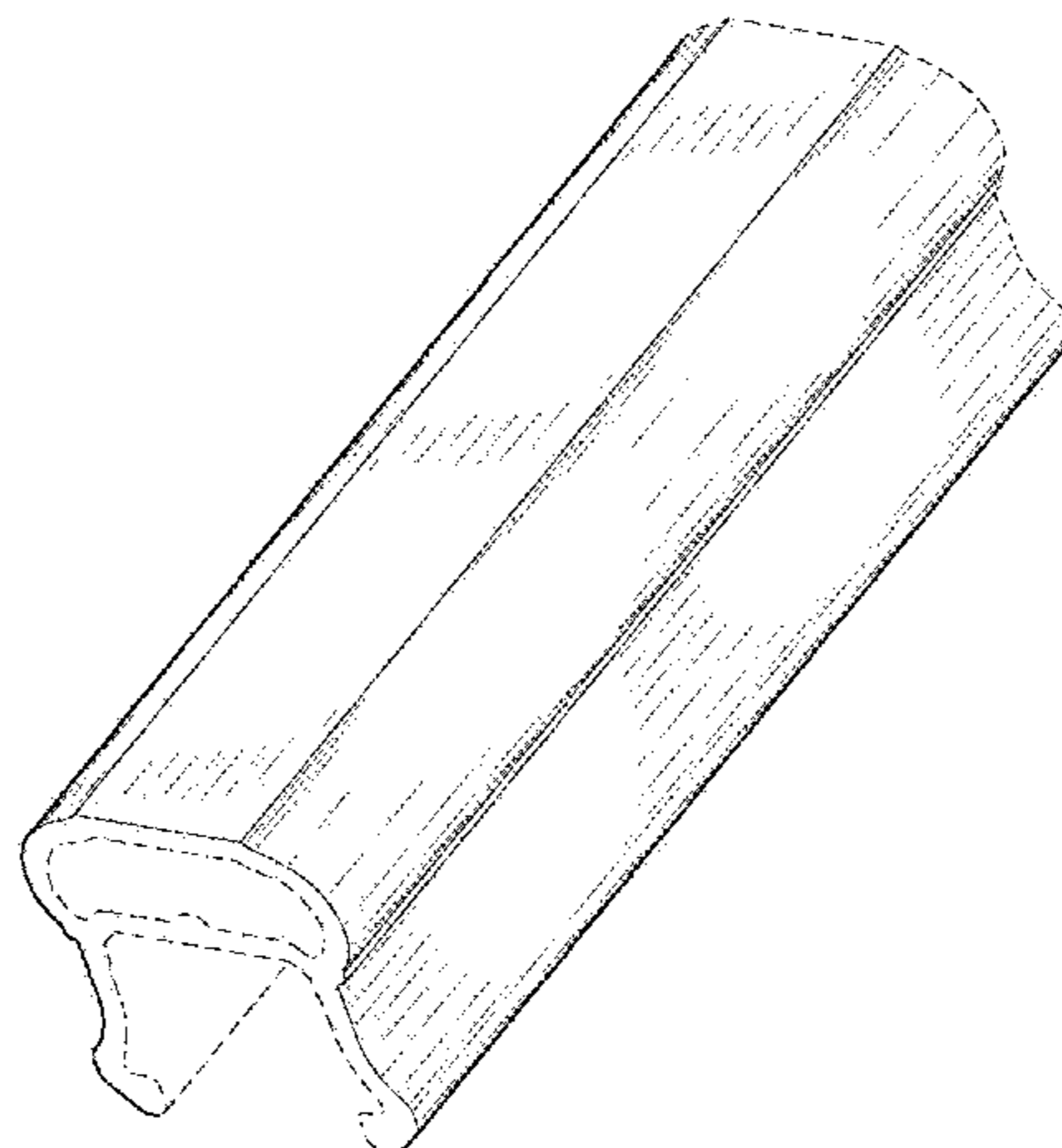
See application file for complete search history.

(56)

References Cited

U.S. PATENT DOCUMENTS

1,049,502 A	1/1913	Long et al.	
D169,234 S	3/1953	Woodworth	
2,808,233 A *	10/1957	Spescha	E04F 11/181 256/22
2,932,488 A	4/1960	Dotson	
D189,447 S	12/1960	Attwood	
D199,024 S	9/1964	Huret	
D200,702 S	3/1965	Huret	
3,313,527 A *	4/1967	Eriksson	E04F 11/181 256/21
D210,519 S	3/1968	Kusel	
3,420,505 A	1/1969	Jefferys	
3,707,276 A	12/1972	Francis et al.	
3,715,849 A	2/1973	Strassle	
3,879,017 A	4/1975	Maxcy et al.	
D251,451 S	3/1979	Toder	
D293,718 S	1/1988	Poma	
4,995,591 A	2/1991	Humphrey et al.	
D335,353 S	5/1993	Baker	
D336,345 S	6/1993	Fasth et al.	
D358,982 S	6/1995	Bosgoed	
5,443,244 A	8/1995	Gibbs	
5,544,866 A *	8/1996	Dye	E04F 11/1836 256/59
D375,573 S	11/1996	Andres	
5,649,688 A	7/1997	Baker	
5,713,171 A *	2/1998	Andres	E04H 17/1443 256/19
6,009,682 A	1/2000	Lehman et al.	
D419,858 S	2/2000	Bosgoed	
D461,914 S	8/2002	Hughes et al.	
D471,284 S	3/2003	Heath	
6,702,259 B2	3/2004	Pratt	
6,715,242 B1	4/2004	Green et al.	
6,874,766 B2	4/2005	Curatolo	
D509,599 S *	9/2005	MacDonald	D25/121
D518,184 S *	3/2006	Fitts	D25/38.1
D536,098 S	1/2007	Walker	
D544,965 S	6/2007	Seiling et al.	
D544,966 S *	6/2007	Seiling	D25/122
D544,967 S *	6/2007	Seiling	D25/122
7,232,114 B2	6/2007	Platt	
D551,774 S	9/2007	McGinness	
D551,775 S *	9/2007	McGinness	D25/135
D552,760 S *	10/2007	Seiling	D25/122
D560,823 S *	1/2008	Holland	D25/122
D562,992 S *	2/2008	Szczekocki	D25/121
7,384,025 B2	6/2008	Lo	



US D784,559 S

Page 2

7,543,802	B2 *	6/2009	Petta	E04F 11/1812 256/59
D600,829	S	9/2009	Munakata et al.	
D600,831	S	9/2009	Munakata et al.	
7,686,485	B1 *	3/2010	Pever	F21V 27/00 362/152
7,788,785	B2 *	9/2010	Platt	E04H 17/1421 29/434
D625,989	S	10/2010	Mancosh et al.	
7,875,655	B2	1/2011	Mancosh et al.	
7,913,960	B1 *	3/2011	Herr, III	E04F 11/181 16/221
D636,898	S	4/2011	Harder	
7,923,477	B2	4/2011	Murdock et al.	
8,104,734	B2	1/2012	Stover	
8,167,275	B1 *	5/2012	Bizzarri	E04F 11/181 256/65.02
D661,813	S *	6/2012	Walker	D25/38.1
8,278,365	B2	10/2012	Murdock et al.	
8,455,558	B2	6/2013	Mancosh et al.	
D697,232	S	1/2014	Herman	
D698,949	S *	2/2014	Rozas Andreu	D25/126
8,809,406	B2	8/2014	Murdock et al.	
D720,477	S *	12/2014	Ross	D25/121
8,905,570	B2 *	12/2014	Hartman	B66B 23/225 362/152
D734,495	S *	7/2015	Walde	D25/38.1
9,073,295	B2	7/2015	Przybylinski et al.	
2003/0196395	A1 *	10/2003	Forbis	E04F 11/1842 52/300
2004/0206028	A1	10/2004	Terrels et al.	
2005/0051761	A1	3/2005	Caissie et al.	
2005/0133777	A1 *	6/2005	Forbis	E04F 11/1836 256/59
2006/0147693	A1	7/2006	Przybylinski et al.	
2007/0173551	A1	7/2007	Mancosh et al.	
2007/0241315	A1 *	10/2007	Platt	E04H 17/1421 256/65.02
2007/0241316	A1 *	10/2007	Platt	E04H 17/1421 256/65.02
2008/0064794	A1	3/2008	Murdock et al.	
2008/0093763	A1	4/2008	Mancosh et al.	
2008/0128933	A1	6/2008	Przybylinski et al.	
2008/0213562	A1	9/2008	Przybylinski et al.	
2009/0114895	A1	5/2009	Terrels et al.	
2010/0108969	A1 *	5/2010	Platt	E04F 11/1836 256/65.04
2010/0159213	A1	6/2010	Przybylinski et al.	
2011/0042637	A1	2/2011	Howard et al.	
2011/0073824	A1	3/2011	Lappin et al.	
2011/0097552	A1	4/2011	Mancosh et al.	
2011/0229691	A1	9/2011	Murdock et al.	
2012/0077890	A1	3/2012	Mancosh et al.	
2012/0315471	A1	12/2012	Mancosh et al.	
2013/0102707	A1	4/2013	Murdock et al.	
2015/0024171	A1	1/2015	Murdock et al.	
2015/0044434	A1	2/2015	Kotiadis et al.	
2015/0252588	A1	9/2015	Springborn	
2015/0292212	A1	10/2015	Walker et al.	
2015/0300041	A1 *	10/2015	Feeko	E04H 17/1421 256/65.12

FOREIGN PATENT DOCUMENTS

CA	1213767	A	11/1986
CA	D80640		5/1997
CA	2153659	A1	2/1999
CH	580130	A5	9/1976
CL	34395		3/1994
CL	303799		12/1999
DE	2042176		8/1968
DE	3801574	A1	8/1989
DE	1033849	A1	5/1991
DE	1221070	A1	12/1993
DK	140148	B	6/1979
EP	0269470	A2	6/1988
EP	0586211	A1	3/1994
EP	0586212	A2	3/1994

EP	0586213	A1	3/1994
EP	0668142	A1	8/1995
EP	0747419	A2	12/1996
EP	0874944	A1	11/1998
ES	1041676		11/1998
FR	2270311	A1	12/1975
FR	2365017	A1	4/1978
FR	2445885	A1	8/1980
FR	2529925	A1	1/1984
FR	2564374	A1	11/1985
GB	567071		1/1945
GB	1298823		12/1972
GB	1443194		7/1976
GB	2036148	A	6/1980
GB	2104903	A	3/1983
GB	2171953	A	9/1986
GB	2186655	A	8/1987
JP	57-190035	A	11/1982
JP	2000-17245	A	1/2000
JP	2000-109589	A	4/2000
JP	2002-86544	A	3/2002
JP	2002-113768	A	4/2002
JP	2002-137333	A	5/2002
JP	2002-144489	A	5/2002
KR	20040044680	A	5/2004
KR	300428590.0000		10/2006
WO	9008020	A1	7/1990
WO	9513179	A1	5/1995
WO	9726430	A1	7/1997
WO	9911444	A1	3/1999
WO	0011282	A2	3/2000
WO	0034017	A1	6/2000
WO	0039207	A1	7/2000
WO	0166873	A1	9/2001
WO	02057692	A2	7/2002
WO	02079317	A1	10/2002
WO	02103113	A2	12/2002
WO	D064769-006		10/2003
WO	03091642	A1	11/2003
WO	2004083541	A2	9/2004
WO	2004102092	A1	11/2004
WO	2006041508	A2	4/2006
WO	2006071517	A2	7/2006
WO	2007085836	A1	8/2007

OTHER PUBLICATIONS

Advanced Environmental Recycling Technologies, Inc., Composite Railing Installation, www.moistureshield.com, Jul. 2015.

Advanced Environmental Recycling Technologies, Inc., Magnum Railing, www.lifecycledecking.com/products/profiles, Oct. 17, 2010, visited Jan. 29, 2016 via <https://web.archive.org/web/20101017132410/http://lifecycledecking.com/products/profiles>.

CertainTeed Corporation, www.certainteed.com/products/fence-railing-deck/railing/313628 Mar. 7, 2009, visited Jan. 29, 2016 via <https://web.archive.org/web/20090307163124/http://www.certainteed.com/products/fence-railing-deck/railing/313628>.

CertainTeed Corporation, Step-By-Step Installation Instructions for Panorama Composite Railing System Square or Steel Balusters, Aug. 2014.

CertainTeed Corporation, Panorama Composite Railing System, www.certainteed.com/products/fence-railing-deck/railing/313628, visited Jan. 29, 2016.

Gossen Corporation, Performance Railing System, <http://www.gossencorp.com/railing.php>, Jun. 11, 2014, visited Jan. 29, 2016 via <https://web.archive.org/web/20140611083437/http://www.gossencorp.com/railing.php>.

Gossen Corporation, Code Compliance Research Report CCRR-0221, Apr. 7, 2015.

Gossen Corporation, Gossen WeatherReady Railing, <http://www.gossencorp.com/railing.php>, Sep. 3, 2012, visited Jan. 29, 2016 via <https://web.archive.org/web/20120903150713/http://www.gossencorp.com/railing.php>.

The Des Moines Register, p. 405, Jun. 29, 2003.

Midwest Manufacturing, Natural Railing, <http://www.midwestmanufacturing.com/MidwestManufacturing/productDetail>.

do?groupId=1&lineId=8&productId=201 , Sep. 22, 2014, visited Jan. 26, 2016 via <https://web.archive.org/web/20140922121245/http://www.midwestmanufacturing.com/MidwestManufacturing/productDetail.do?groupId=1&lineId=8&productId=201>.

Midwest Manufacturing, Pinnacle Top Rail Caps, <http://www.midwestmanufacturing.com/MidwestManufacturing/productDetail.do?groupId=1&lineId=8&productId=1366>, Aug. 3, 2010, visited Jan. 28, 2016 via <https://web.archive.org/web/20100803030153/http://www.midwestmanufacturing.com/MidwestManufacturing/productDetail.do?groupId=1&lineId=8&productId=1366>.

UltraDeck Reversible, <http://ultradeck.com/products.htm>, Feb. 13, 2005, visited Jan. 28, 2016 via <https://web.archive.org/web/20050213125854/http://ultradeck.com/products.htm>.

Midwest Manufacturing, UltraDeck Rustic Rail, <http://www.midwestmanufacturing.com/MidwestManufacturing/productDetail.do?groupId=1&lineId=8&productId=200> , May 22, 2013, visited Jan. 26, 2016 via <https://web.archive.org/web/20130522185339/http://www.midwestmanufacturing.com/MidwestManufacturing/productDetail.do?groupId=1&lineId=8&productId=200>.

Google Images, Trex Transcend Railing, example at https://www.google.com/search?q=trex+transcend+railing&rlz=1C2OPRB_enUS555US555&biw=1424&bih=951&tbm=isch&tbo=u&source=univ&sa=X&sqi=2&ved=0ahUKEwjBqK-EztfKAhUHulMKHYSyAnQQsAQIPg#imgrc=__, example visited Jan. 26, 2016.

Trex Company, Inc., Transcend, www.trex.com/products/railing/transcend/, visited Jan. 26, 2016.

* cited by examiner

Primary Examiner — Susan Bennett Hattan
Assistant Examiner — Leanne Was-Englehart

(74) *Attorney, Agent, or Firm* — Standley Law Group LLP

(57)

CLAIM

The ornamental design for a rail, as shown and described.

DESCRIPTION

The Applicant would also like to let the Examiner know that the following related applications are also currently pending: 29/520,836, filed on Mar. 18, 2015, claims the benefit of 13/461,496
29/520,840, filed on Mar. 18, 2015, claims the benefit of 13/461,496
29/520,842, filed on Mar. 18, 2015, claims the benefit of 13/461,496
29/520,846, filed on Mar. 18, 2015, claims the benefit of 13/461,496
29/520,849, filed on Mar. 18, 2015, claims the benefit of 13/461,496
14/712,373, filed on May 14, 2015, claims the benefit of 13/461,496
14/712,412, filed on May 14, 2015, claims the benefit of 13/461,496
29/532,103, filed on Jul. 01, 2015, claims the benefit of 13/461,496.

FIG. 1 is a first perspective view of a rail.

FIG. 2 is a second perspective view of the rail of FIG. 1.

FIG. 3 is a top plan view of the rail of FIG. 1; and,

FIG. 4 is a side elevation view of the rail of FIG. 1.

The broken lines on the front face and along the length of the rail in FIGS. 1 and 2 indicate portions that are not part of the claimed design. The broken lines on the rear end of the rail in FIGS. 1-4 indicate a break.

1 Claim, 3 Drawing Sheets

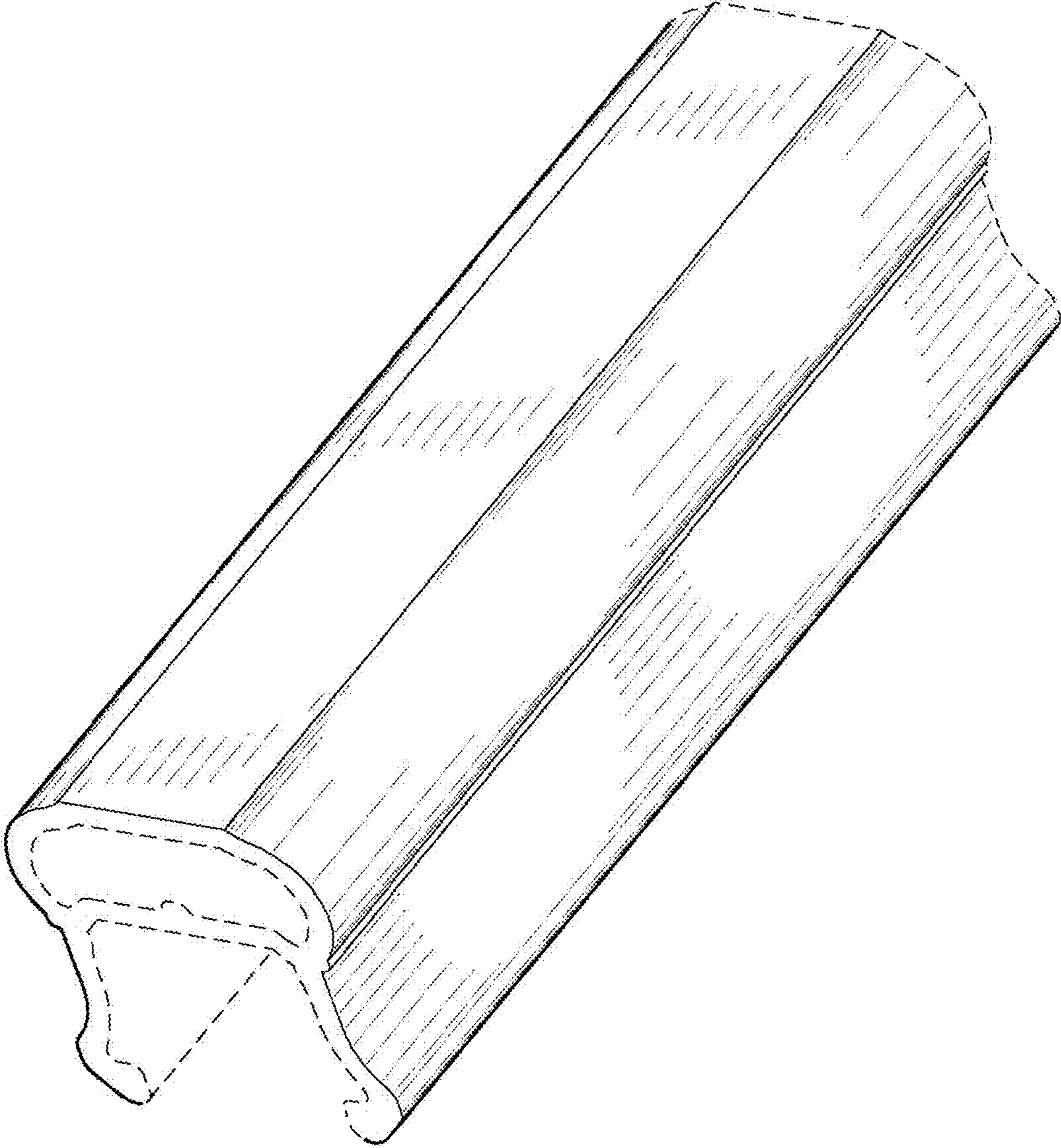


Fig. 1

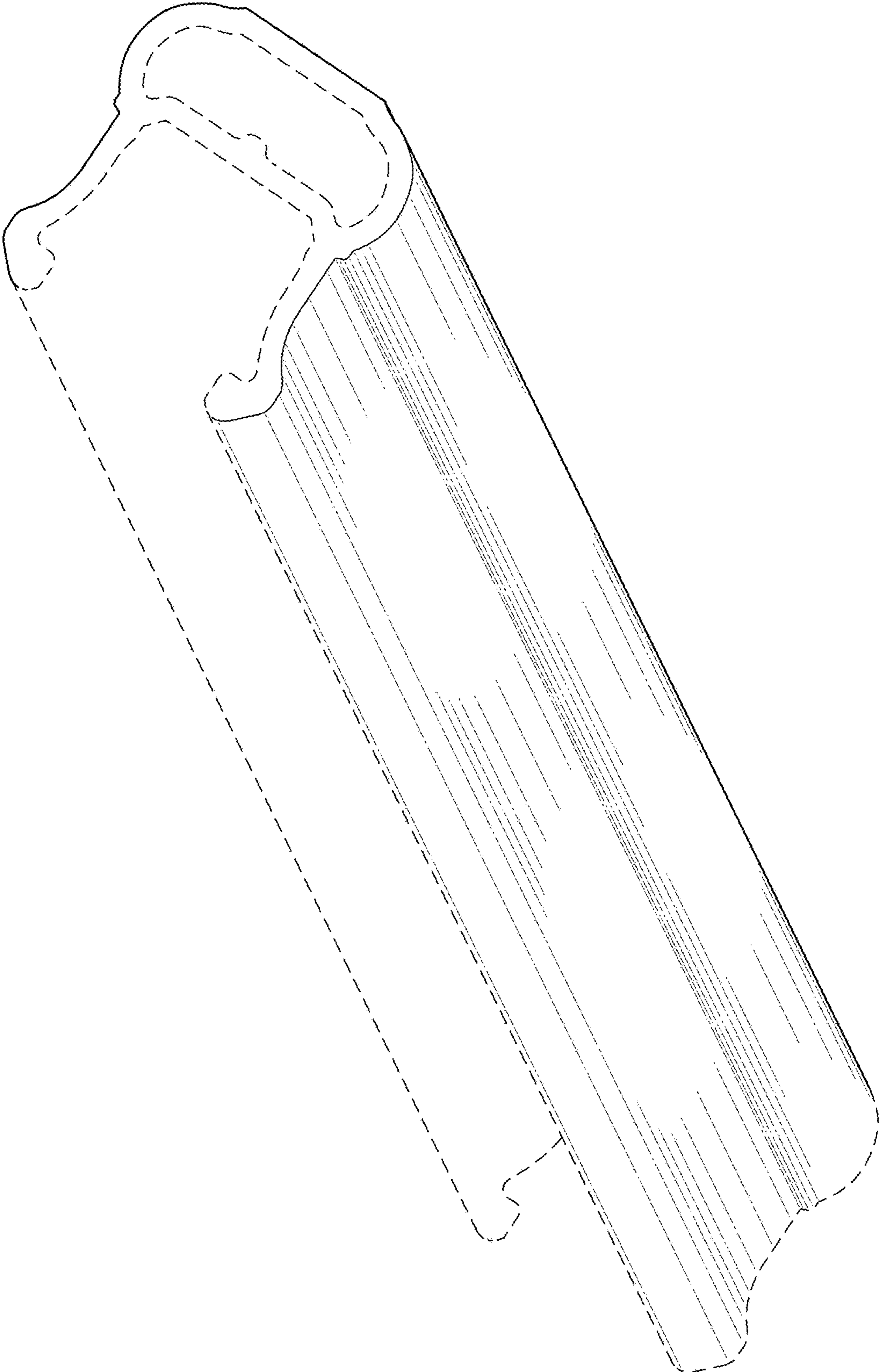


Fig. 2

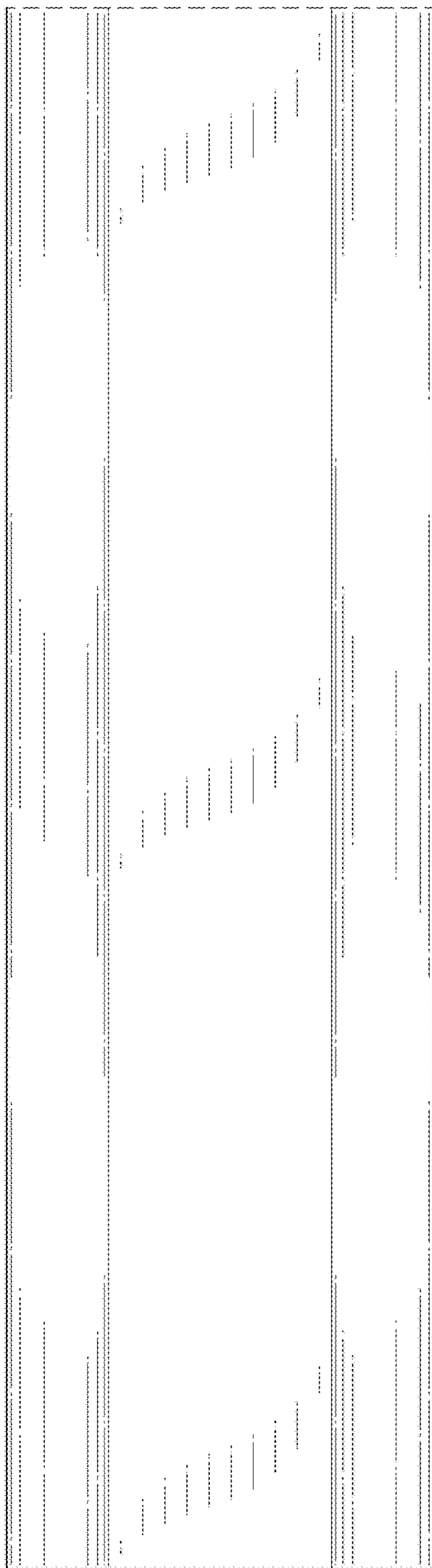


Fig. 3

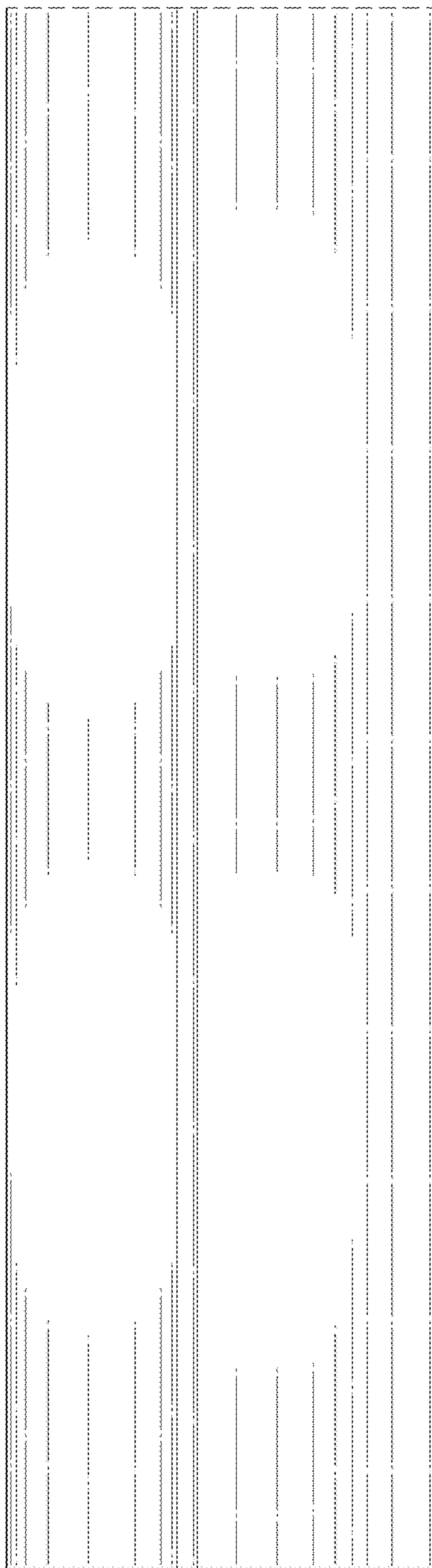


Fig. 4