



US00D784558S

(12) **United States Design Patent** (10) **Patent No.:** **US D784,558 S**  
**Wu** (45) **Date of Patent:** **\*\* Apr. 18, 2017**

(54) **FENCE WITH SOLAR-POWERED LAMP**

FOREIGN PATENT DOCUMENTS

(71) Applicant: **Hudson Hardware & Plastics Co., Limited**, Dongguan, Guangdong Province (CN)

EM 002735332-0004 \* 7/2015

(72) Inventor: **Chun-Yin Wu**, Dongguan (CN)

OTHER PUBLICATIONS

(73) Assignee: **Hudson Hardware & Plastics Co., Limited**, Dongguan (CN)

<http://margaritegarden.com/sense-of-security-offered-by-plastic-fence-panels/plastic-fence-panels-co-uk/>, Posted Jul. 14, 2015.\*  
<http://www.hudsonindustry.com/cp/html/?83.html>, Retrieved Nov. 22, 2016.\*  
<http://www.hudsonindustry.com/cp/html/?76.html>, Retrieved Nov. 22, 2016.\*

(\*\*) Term: **15 Years**

\* cited by examiner

(21) Appl. No.: **29/545,851**

(22) Filed: **Nov. 17, 2015**

*Primary Examiner* — Susan Bennett Hattan

(51) **LOC (10) Cl.** ..... **25-02**

*Assistant Examiner* — Leanne Was-Englehart

(52) **U.S. Cl.**  
USPC ..... **D25/38.1**

(74) *Attorney, Agent, or Firm* — Alan D. Kamrath;  
Kamrath IP Lawfirm, P.A.

(58) **Field of Classification Search**  
USPC ..... D25/38.1, 39, 42, 43, 48.1, 48.5; 49/34, 49/36, 38; 256/19, 24, 25, 26, 73  
CPC ..... E04H 17/00; E04H 2017/1452  
See application file for complete search history.

(57) **CLAIM**

The ornamental design for an fence with solar-powered lamp, as shown.

(56) **References Cited**

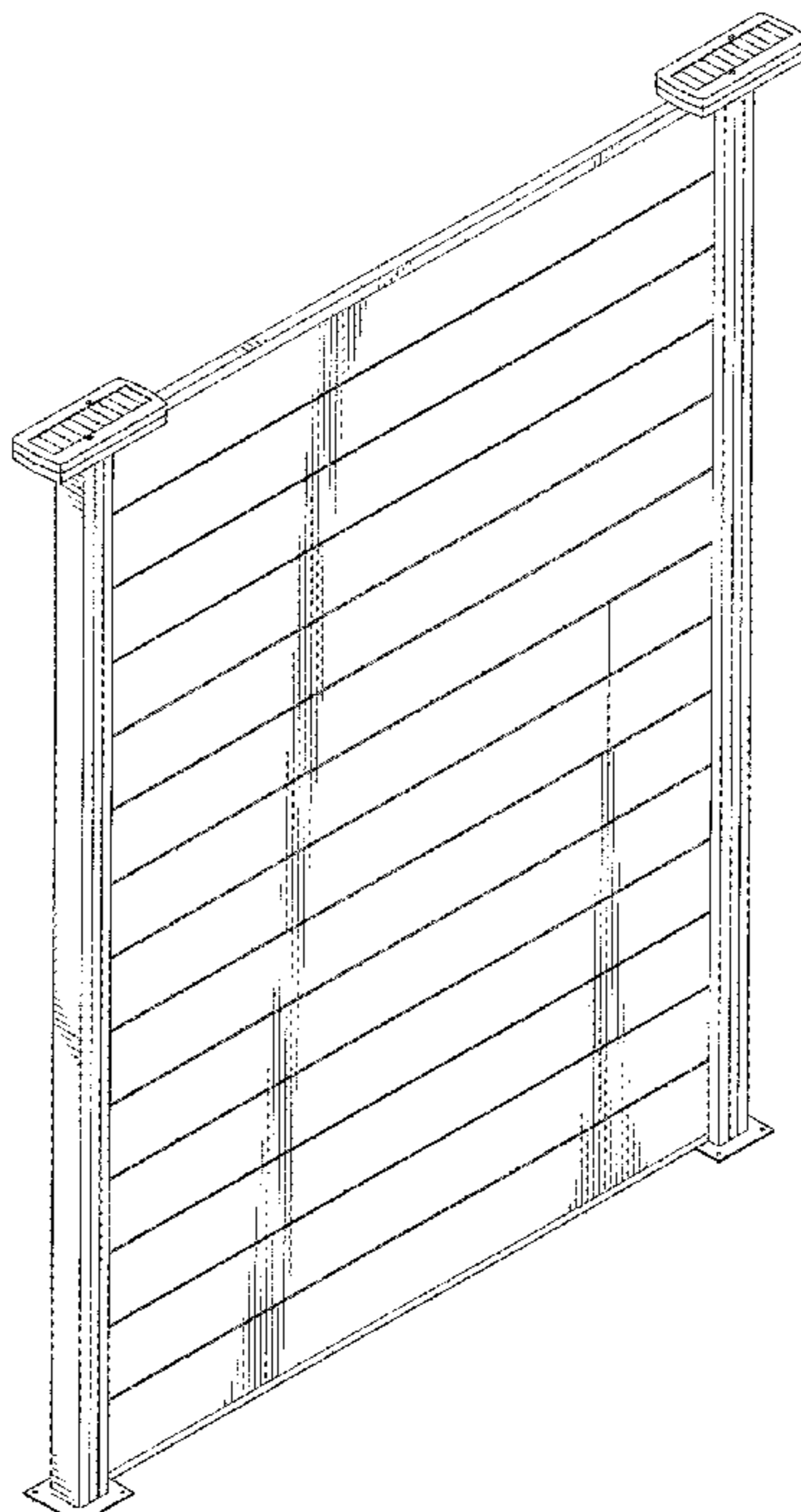
**DESCRIPTION**

U.S. PATENT DOCUMENTS

D242,099 S \* 11/1976 Casey ..... D25/38.1  
D242,100 S \* 11/1976 Casey ..... D25/38.1  
6,293,523 B1 \* 9/2001 Fendler ..... E04H 17/168  
256/24  
D465,286 S \* 11/2002 Gregori ..... D25/38.1  
D705,403 S \* 5/2014 Collins, IV ..... D23/283  
8,794,598 B2 \* 8/2014 Carbines ..... E04H 17/168  
256/19  
D738,530 S \* 9/2015 Thomas ..... D25/38.1

FIG. 1 is a perspective view of an fence with solar-powered lamp showing my new design;  
FIG. 2 is a front view thereof;  
FIG. 3 is a rear view thereof;  
FIG. 4 is a left side view thereof;  
FIG. 5 is a right side view thereof;  
FIG. 6 is a top view thereof; and,  
FIG. 7 is a bottom view thereof.

**1 Claim, 7 Drawing Sheets**



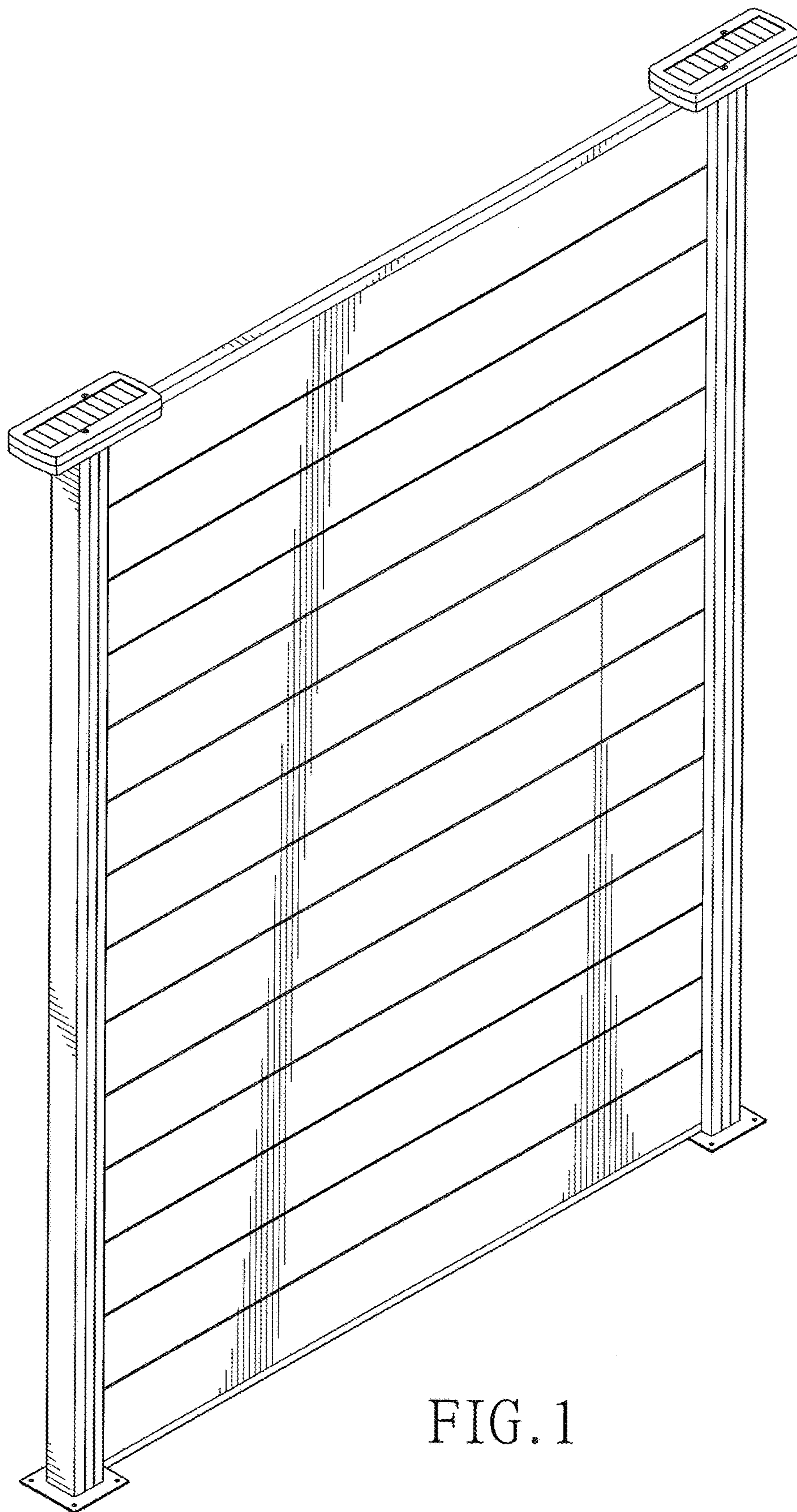


FIG. 1

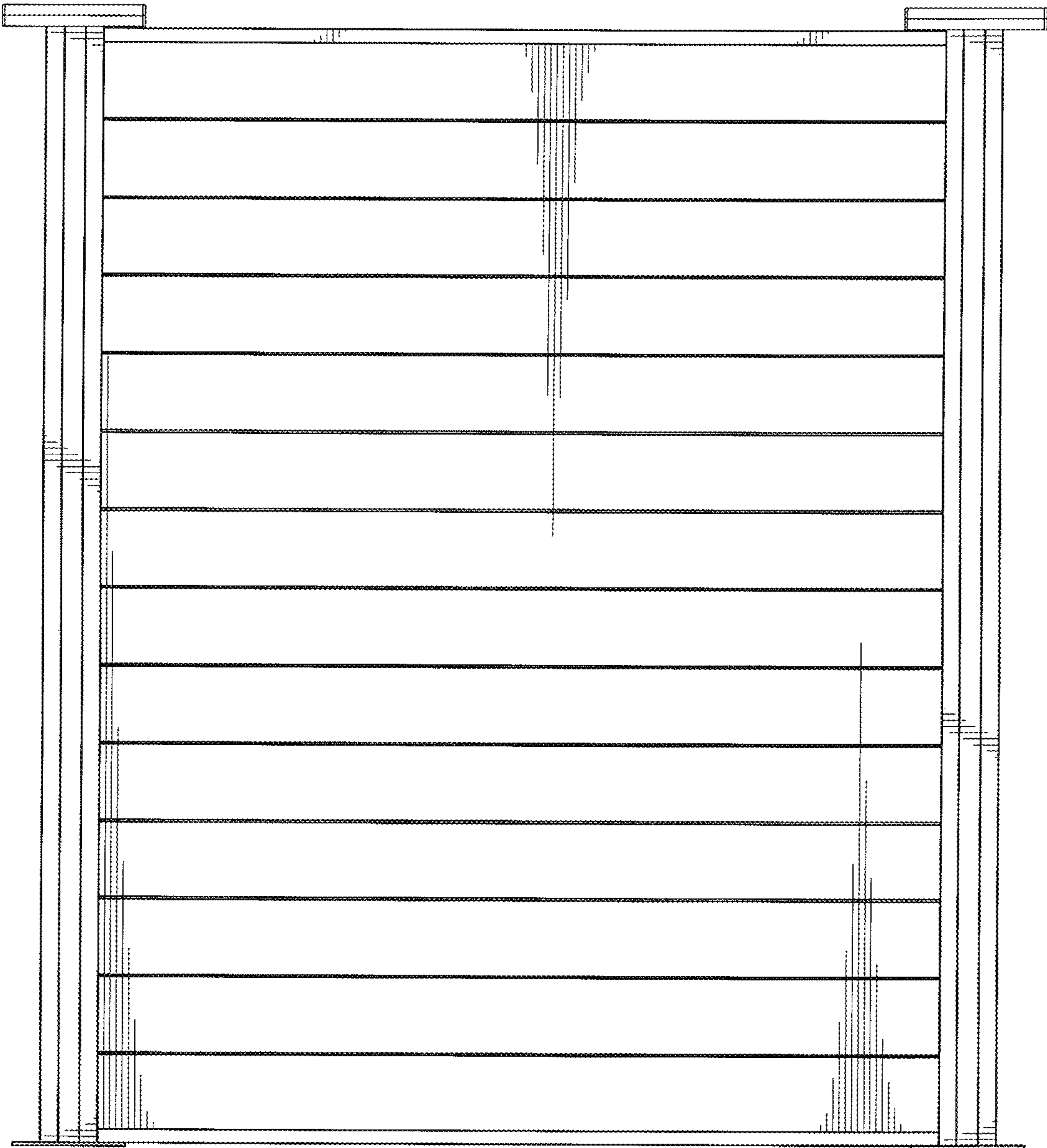


FIG. 2

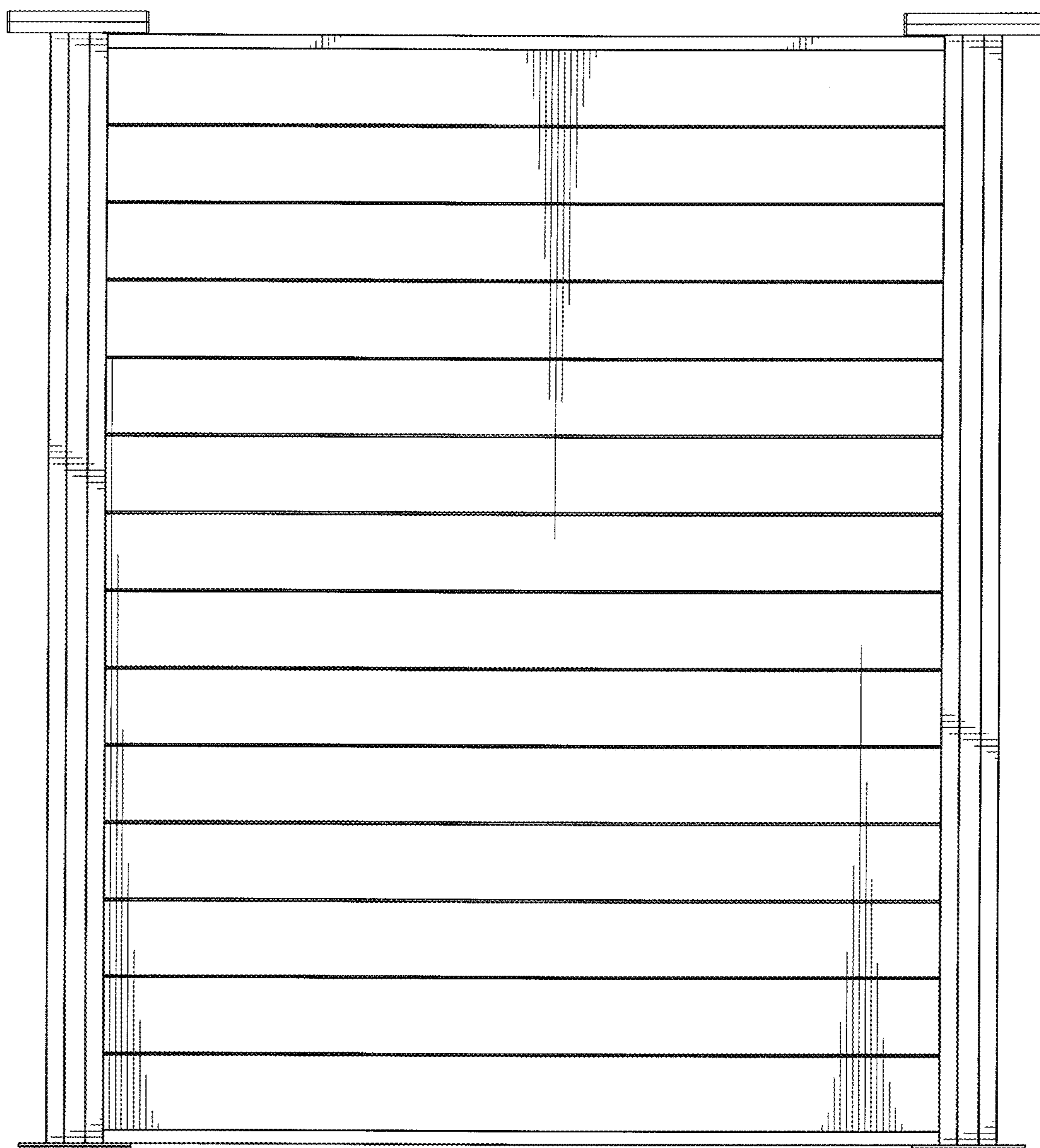


FIG. 3

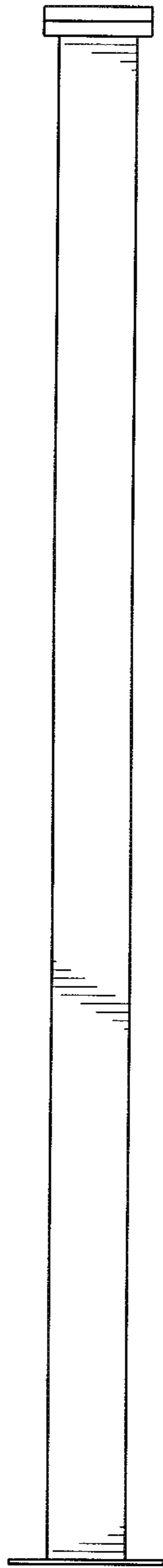


FIG. 4

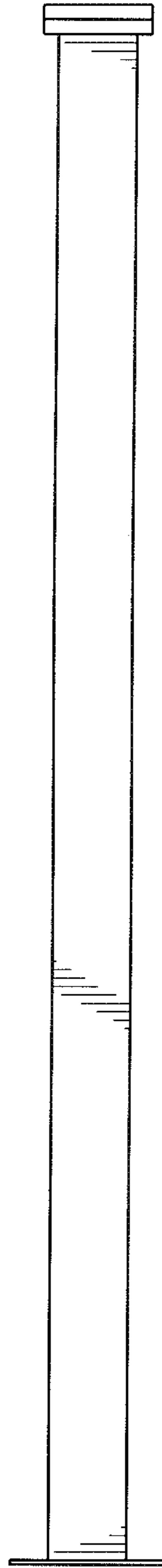


FIG. 5

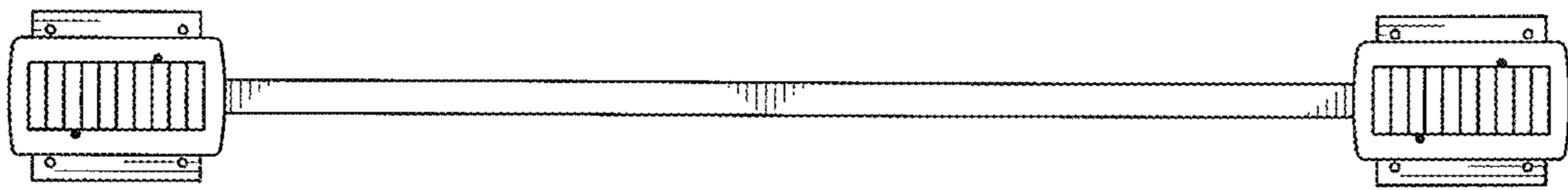


FIG. 6

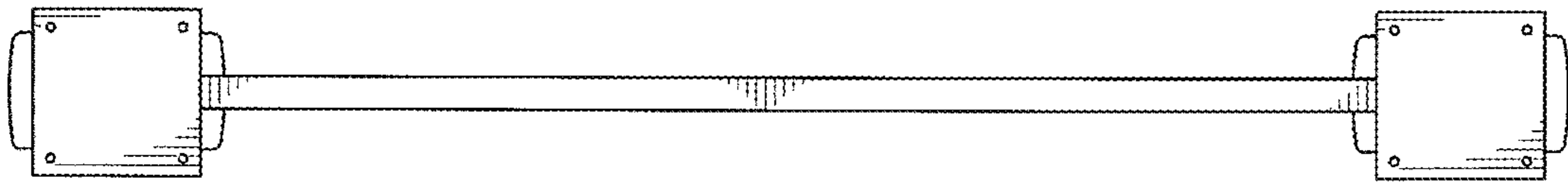


FIG. 7