



US00D784557S

(12) **United States Design Patent** (10) **Patent No.:** **US D784,557 S**
Thuma et al. (45) **Date of Patent:** **** Apr. 18, 2017**

- (54) **OUTDOOR CABINET**
- (71) Applicant: **Suncast Technologies, LLC**, Palm Beach Gardens, FL (US)
- (72) Inventors: **Michael Thuma**, La Grange, IL (US); **Michael Uffner**, Naperville, IL (US); **Michael R. Vogler**, Oswego, IL (US)
- (73) Assignee: **Suncast Technologies, LLC**, Palm Beach Gardens, FL (US)
- (**) Term: **14 Years**
- (21) Appl. No.: **29/496,954**
- (22) Filed: **Jul. 18, 2014**
- (51) **LOC (10) Cl.** **25-03**
- (52) **U.S. Cl.**
USPC **D25/33**
- (58) **Field of Classification Search**
USPC D25/33; D23/286, 279; 52/79.1; D3/273, 294; D6/384, 671, 671.1, 663
CPC B25H 3/00; B25H 3/022; E04B 1/343; E04B 1/34357; E04B 1/344; E04B 1/1205; E04B 1/34336; B65D 37/00; A47B 47/04; A47B 47/00; A47B 55/00; A47B 57/00
See application file for complete search history.

D622,861 S *	8/2010	Vogler	D25/33
D622,862 S *	8/2010	Vogler	D25/33
D631,170 S *	1/2011	Labreck	D25/33
D639,450 S *	6/2011	Vogler	D25/33
D653,354 S *	1/2012	Uffner	D25/32
D686,750 S *	7/2013	Kroeplien	D25/33
D689,197 S *	9/2013	Thuma	D25/33
D715,050 S *	10/2014	Uffner	D3/277
D717,542 S *	11/2014	Vogler	D3/273
D721,823 S *	1/2015	Lucht	D25/33
D724,320 S *	3/2015	Russell	D3/273
D731,037 S *	6/2015	Ouyang	D23/286
D747,875 S *	1/2016	Manalang	D3/274
2002/0163284 A1 *	11/2002	Levy	B25H 3/00 312/302
2004/0187402 A1 *	9/2004	Moon	E04H 1/1205 52/79.5
2005/0120641 A1 *	6/2005	Whitehead	E04H 1/1205 52/79.1

* cited by examiner

Primary Examiner — Robin V Webster
Assistant Examiner — James Thorn, Sr.
(74) *Attorney, Agent, or Firm* — McHale & Slavin, P.A.

(57) **CLAIM**

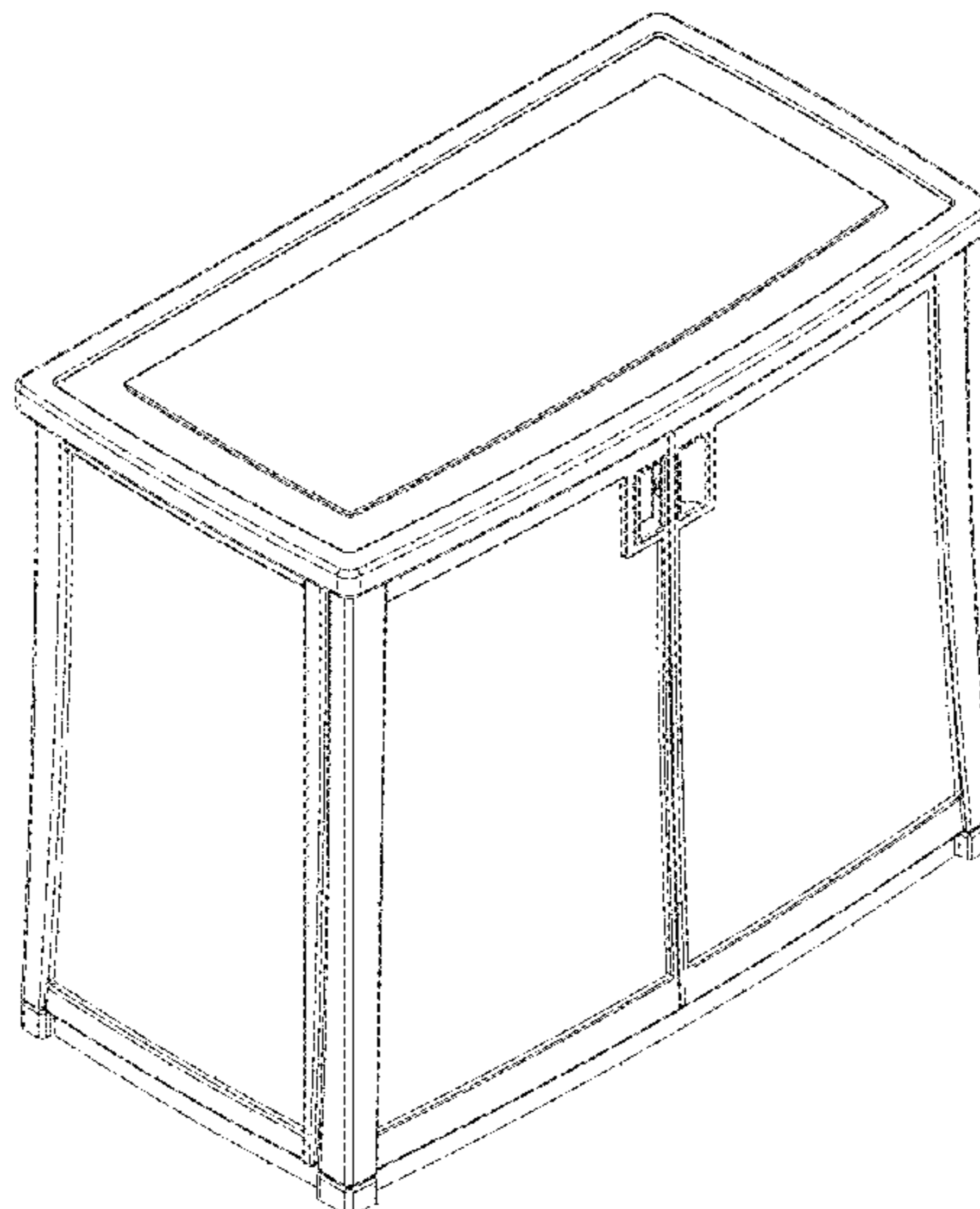
The ornamental design for an outdoor cabinet, as shown and described.

DESCRIPTION

FIG. 1 is a top left perspective view of an outdoor cabinet; FIG. 2 is a top right perspective view thereof; FIG. 3 is a front view thereof; FIG. 4 is a rear view thereof; FIG. 5 is a left side view thereof; FIG. 6 is a right side view thereof; and, FIG. 7 is a top view thereof.
The broken lines shown in the drawings are included for the purpose of unclaimed portions of the outdoor cabinet, and form no part of the claimed design.

1 Claim, 7 Drawing Sheets

- (56) **References Cited**
U.S. PATENT DOCUMENTS
- D300,362 S * 3/1989 Adams D25/16
- D393,724 S * 4/1998 Sagol D25/16
- D411,625 S * 6/1999 Fuller D25/56
- D444,626 S * 7/2001 Anderson D3/273
- D455,501 S * 4/2002 Greene D25/33
- D468,026 S * 12/2002 Tisbo D25/33
- D469,188 S * 1/2003 Tisbo D25/33
- D490,629 S * 6/2004 Holley D6/671
- D494,281 S * 8/2004 Greene D25/33
- D495,136 S * 8/2004 Greene D3/273



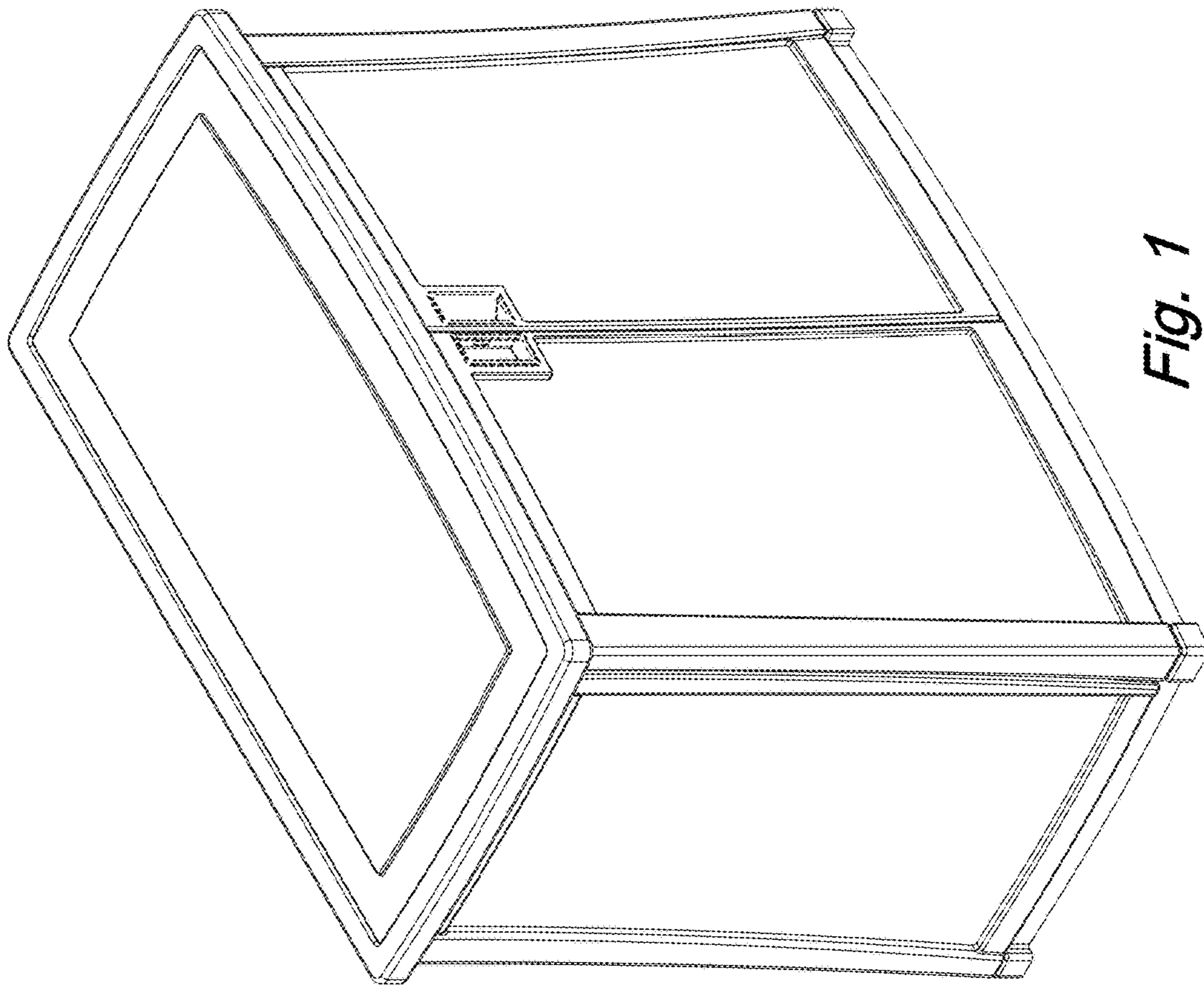


Fig. 1

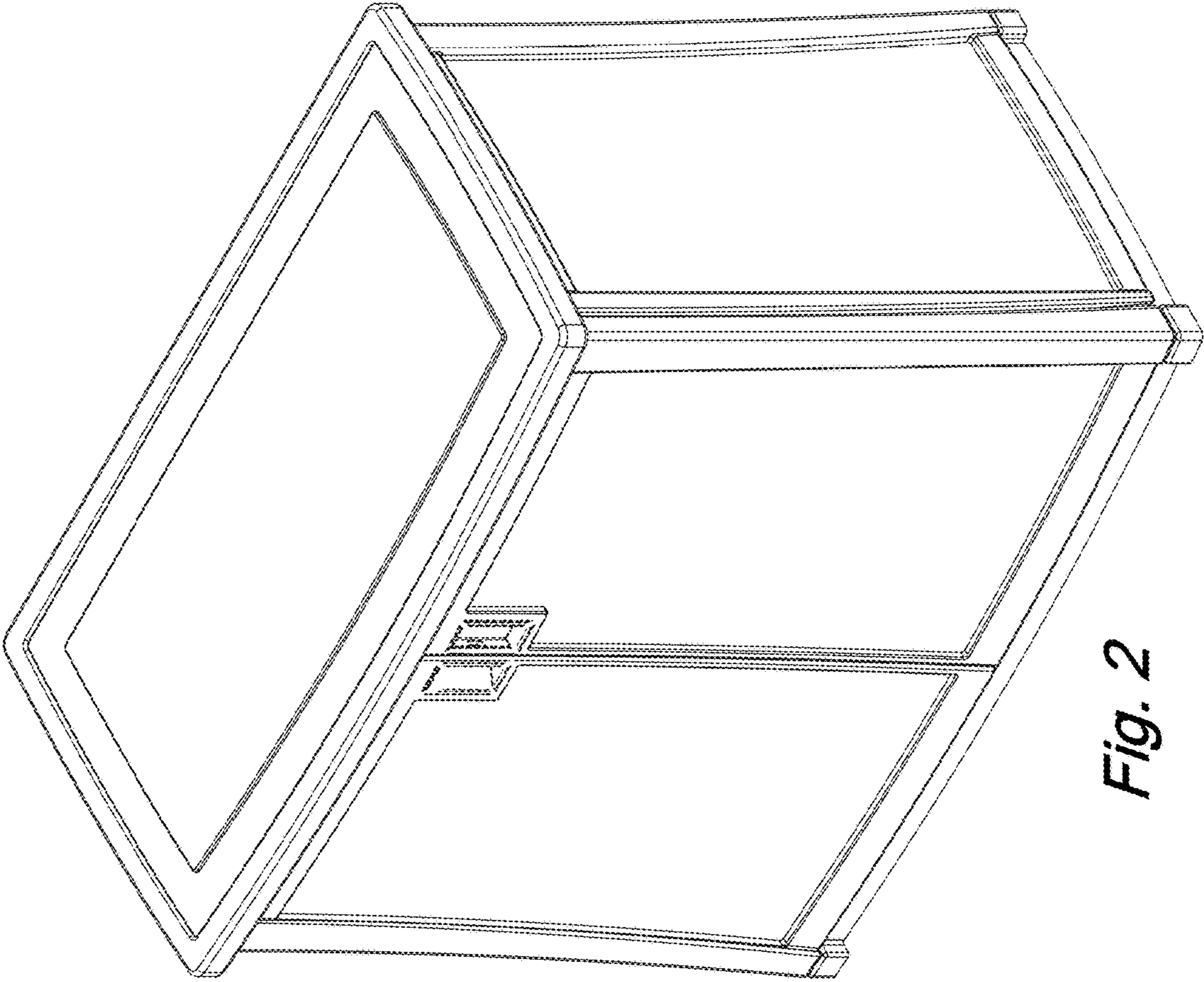


Fig. 2

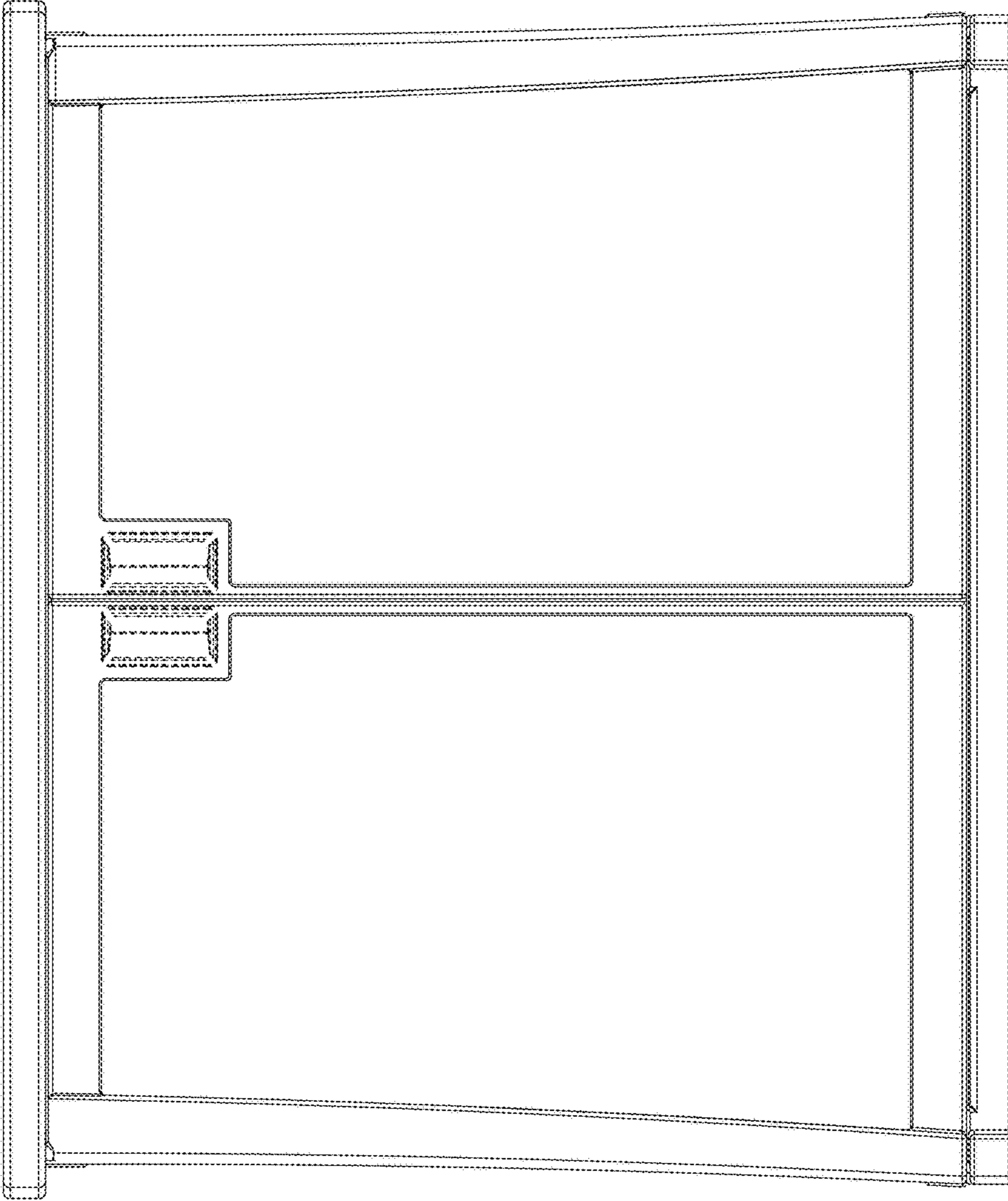


Fig. 3

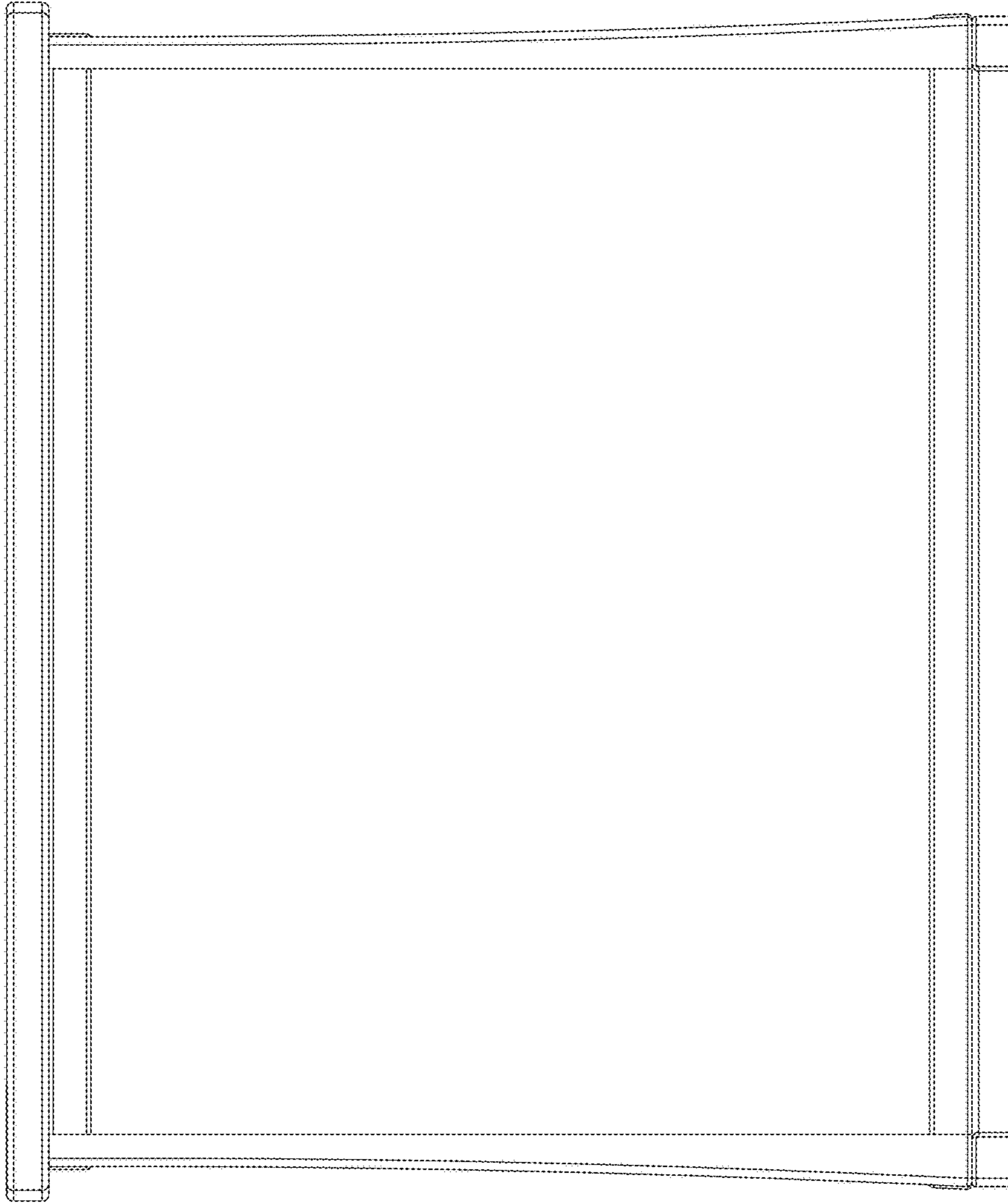


Fig. 4

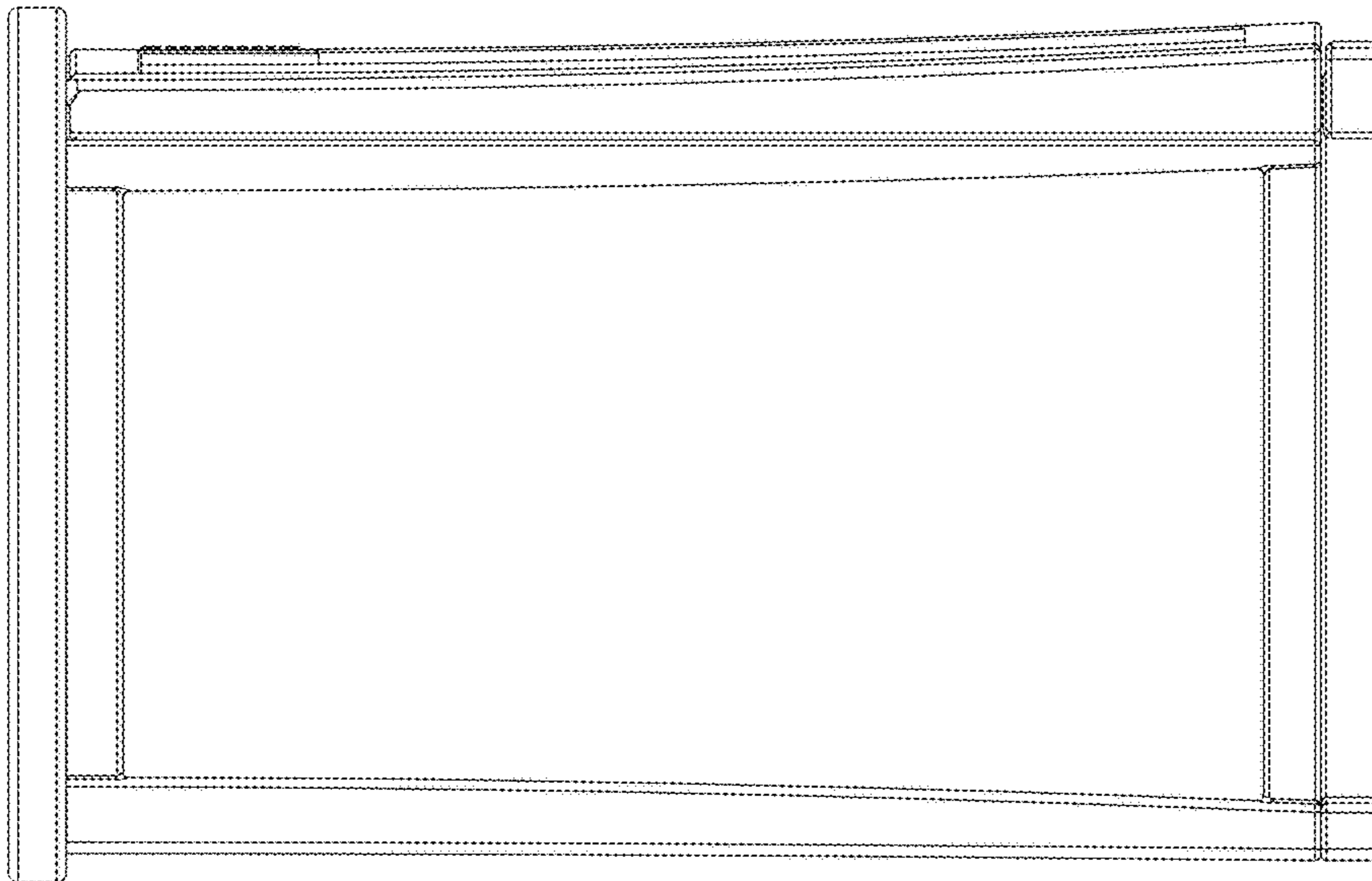


Fig. 5

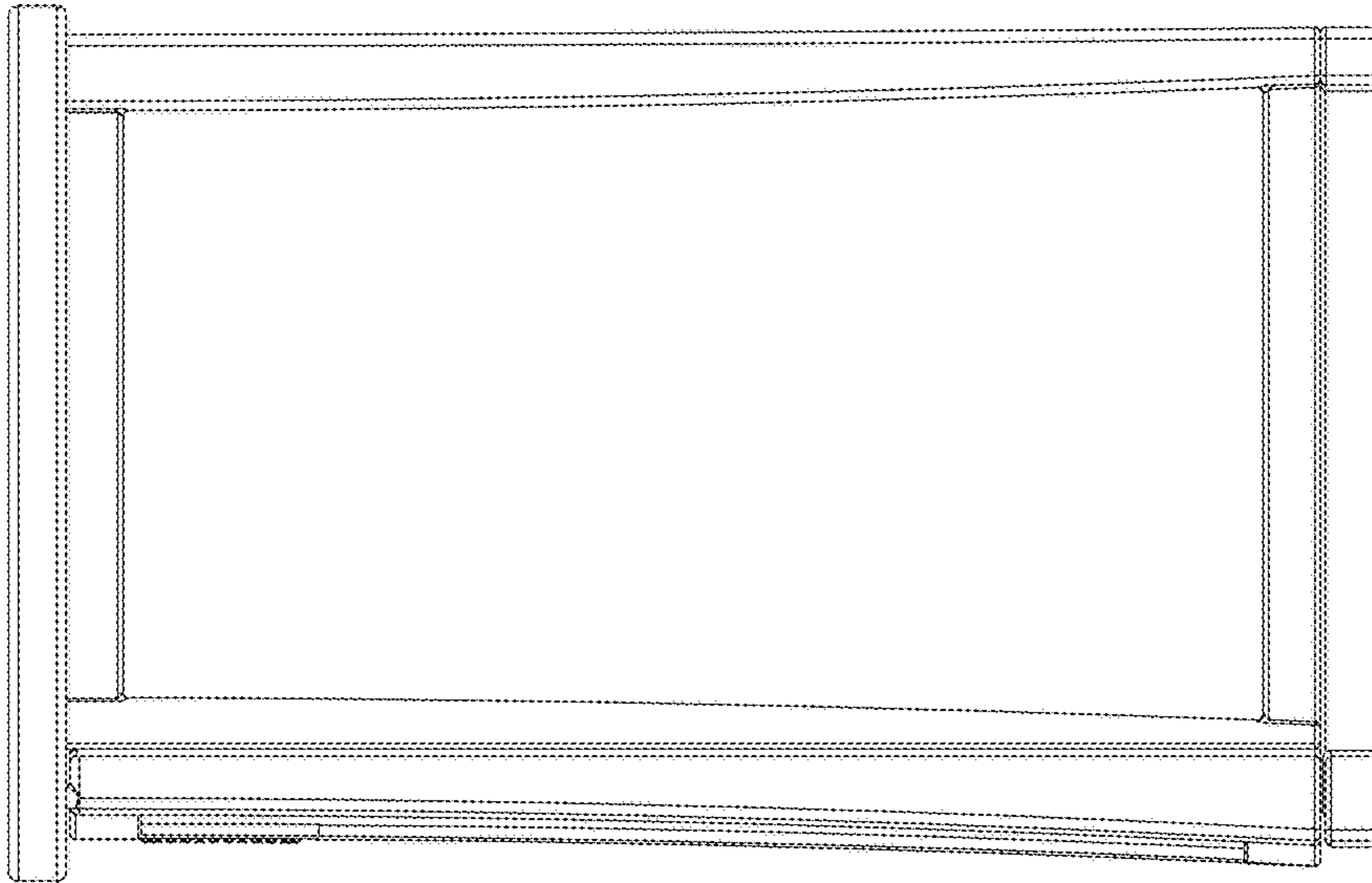


Fig. 6

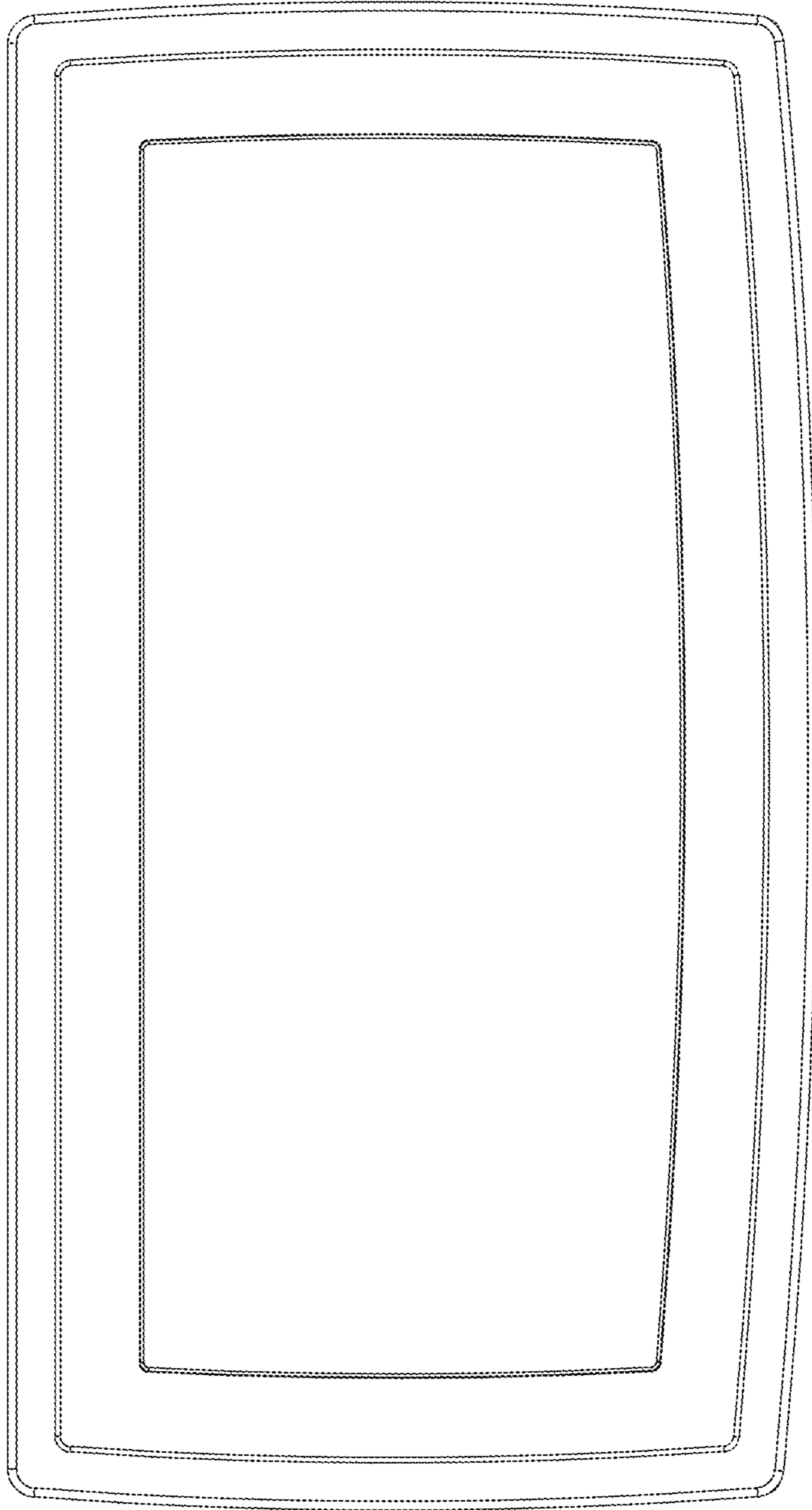


Fig. 7