



US00D784556S

(12) **United States Design Patent**
Alden

(10) **Patent No.:** **US D784,556 S**
(45) **Date of Patent:** **** Apr. 18, 2017**

(54) **GLASS POD**
(71) Applicant: **Adam C Alden**, Bakersfield, CA (US)
(72) Inventor: **Adam C Alden**, Bakersfield, CA (US)
(**) Term: **15 Years**
(21) Appl. No.: **29/527,291**
(22) Filed: **May 18, 2015**
(51) **LOC (10) Cl.** **24-01**
(52) **U.S. Cl.**
USPC **D24/232**
(58) **Field of Classification Search**
USPC D24/231-232, 108, 111, 117, 121, 216,
D24/224; D23/360; D9/521; D7/515;
206/529-530; 422/547, 556, 565;
73/28.04, 24.04, 29.01
CPC .. A61J 1/065; A61J 1/067; A61J 3/074; A61J
3/075; B01L 3/02; B01L 3/0293; B01L
3/12; B01L 3/52; B01L 3/545; B01L
3/569; B01L 3/08
See application file for complete search history.

1,728,965 A * 9/1929 Hein A61J 1/065
141/311 R
D230,775 S * 3/1974 Frost D24/224
4,976,927 A * 12/1990 Straus B01L 3/08
422/537
D318,917 S * 8/1991 Karamian D24/232
7,861,897 B2 * 1/2011 Sogaro A61J 1/067
222/209

* cited by examiner

Primary Examiner — Wan Laymon

(57) **CLAIM**

The ornamental design for a glass pod, as shown and described.

DESCRIPTION

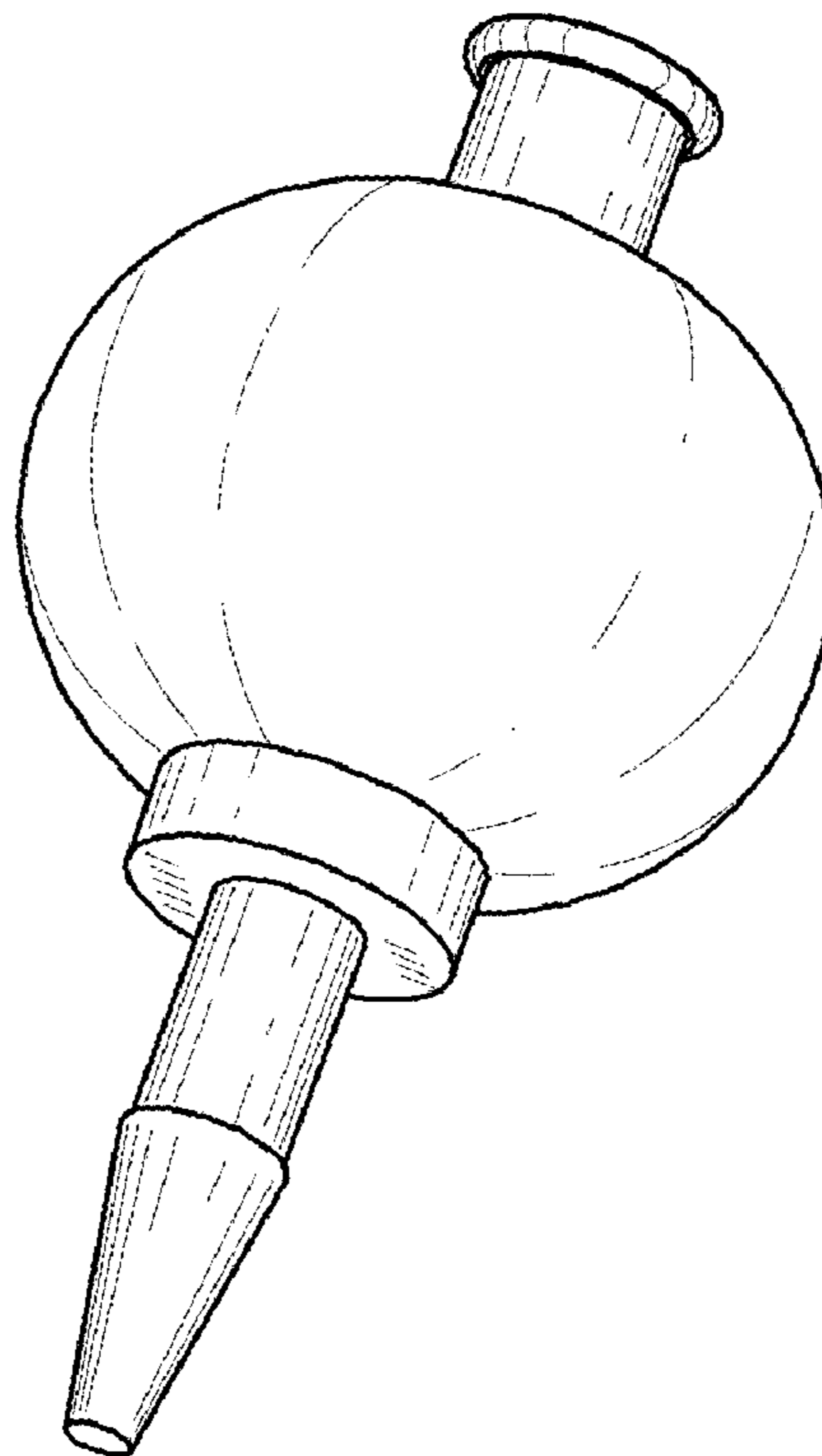
FIG. 1 is a front view of thereof;
FIG. 2 is a top plan view of thereof;
FIG. 3 is a bottom plan view of thereof;
FIG. 4 is an isometric perspective view of the glass pod.
FIG. 5 is a perspective view of the glass pod.
FIG. 6 is a perspective view of the glass pod; and,
FIG. 7 is a perspective view of the glass pod.

1 Claim, 7 Drawing Sheets

(56) **References Cited**

U.S. PATENT DOCUMENTS

D46,402 S * 9/1914 Kiefer D24/232
D48,159 S * 11/1915 Newcome D24/117



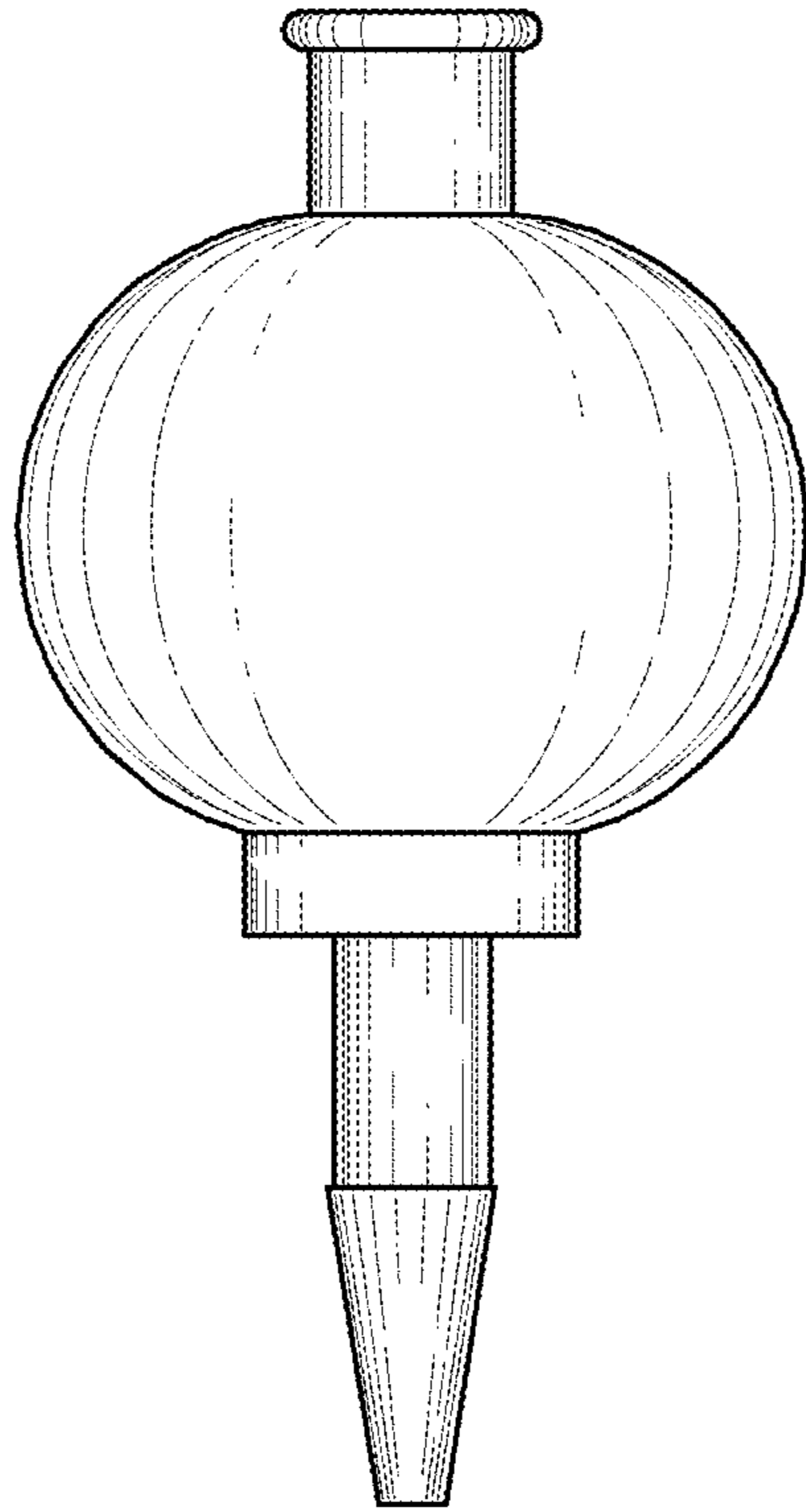


FIG. 1

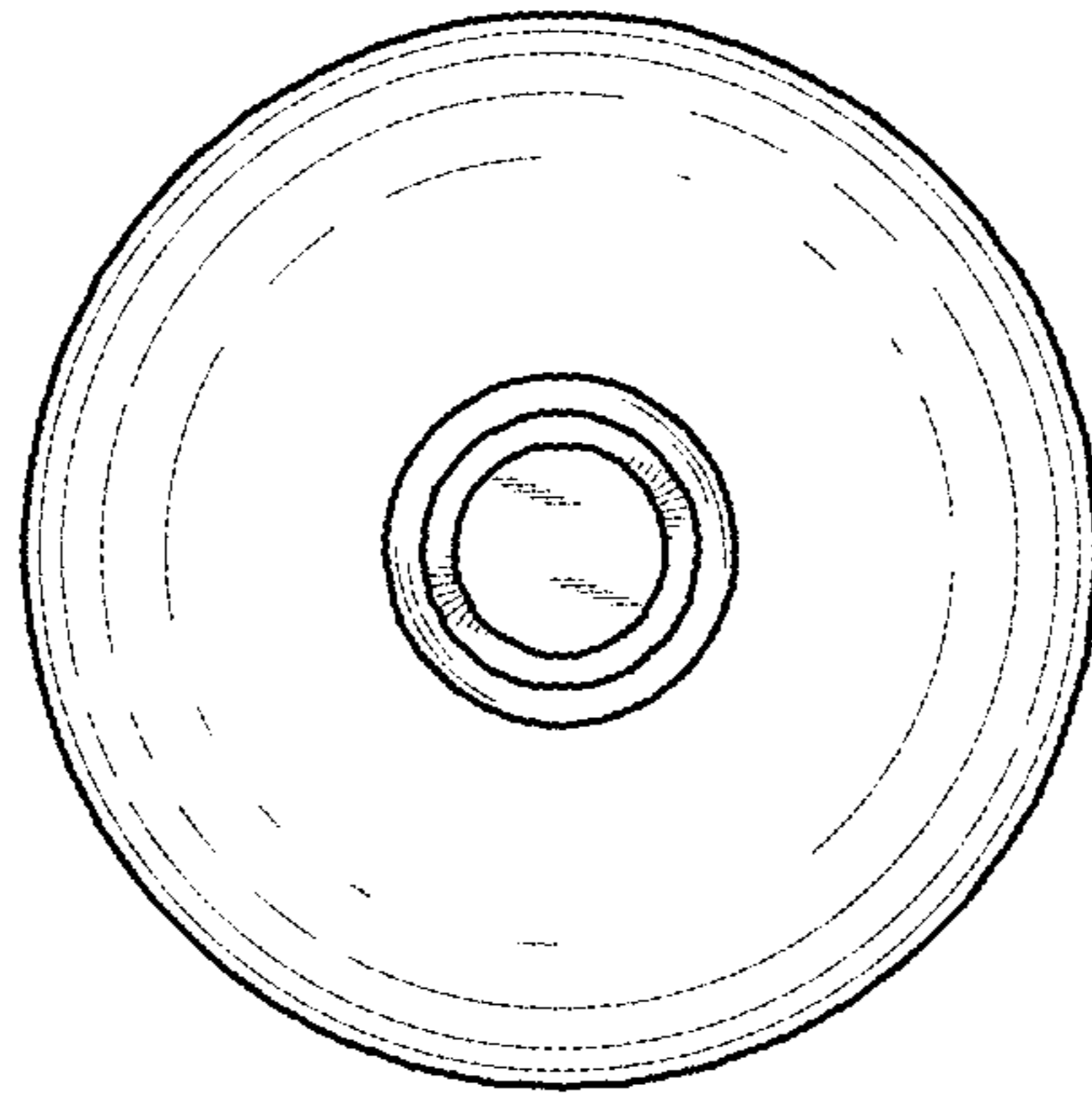


FIG. 2

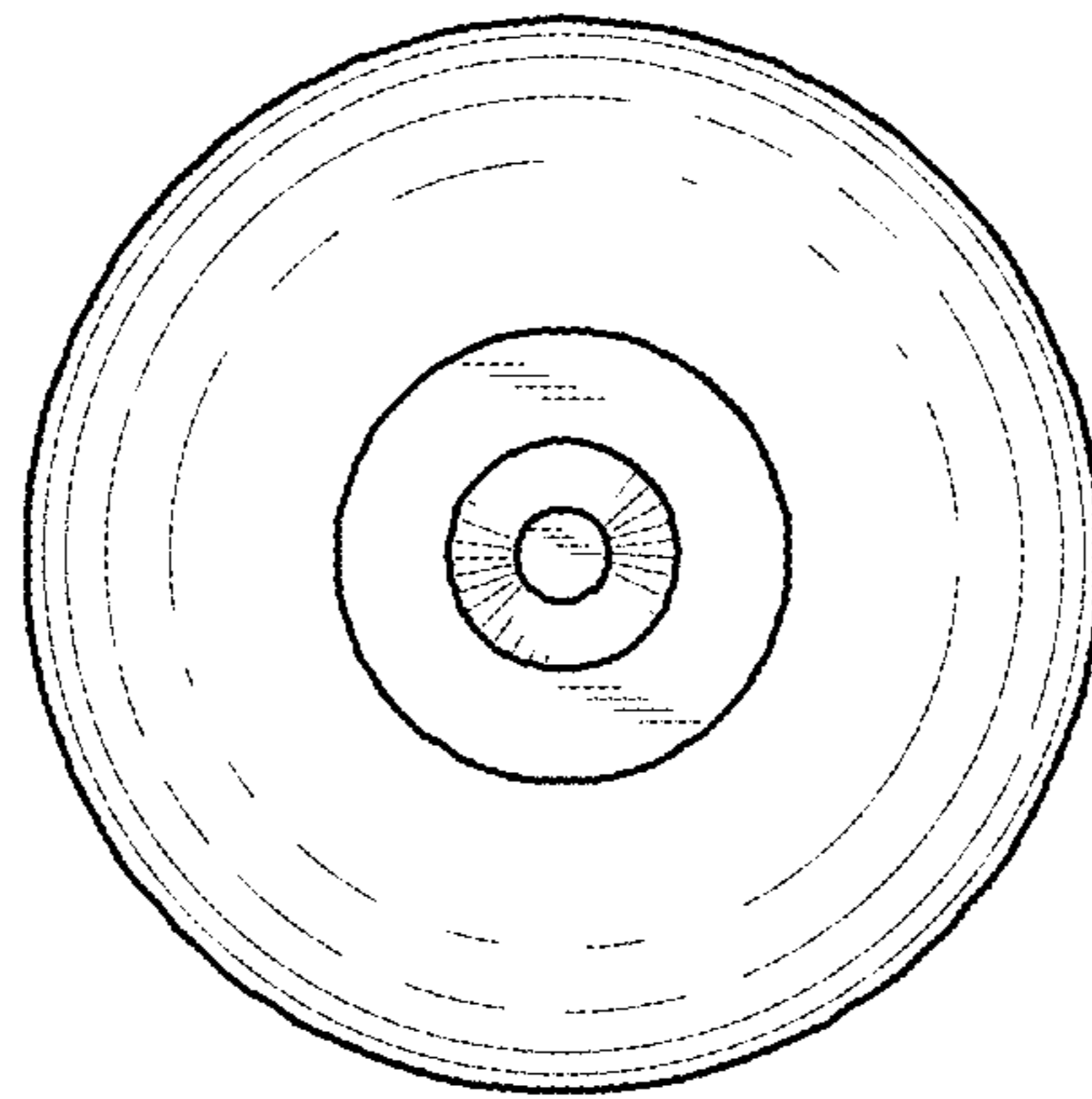


FIG. 3

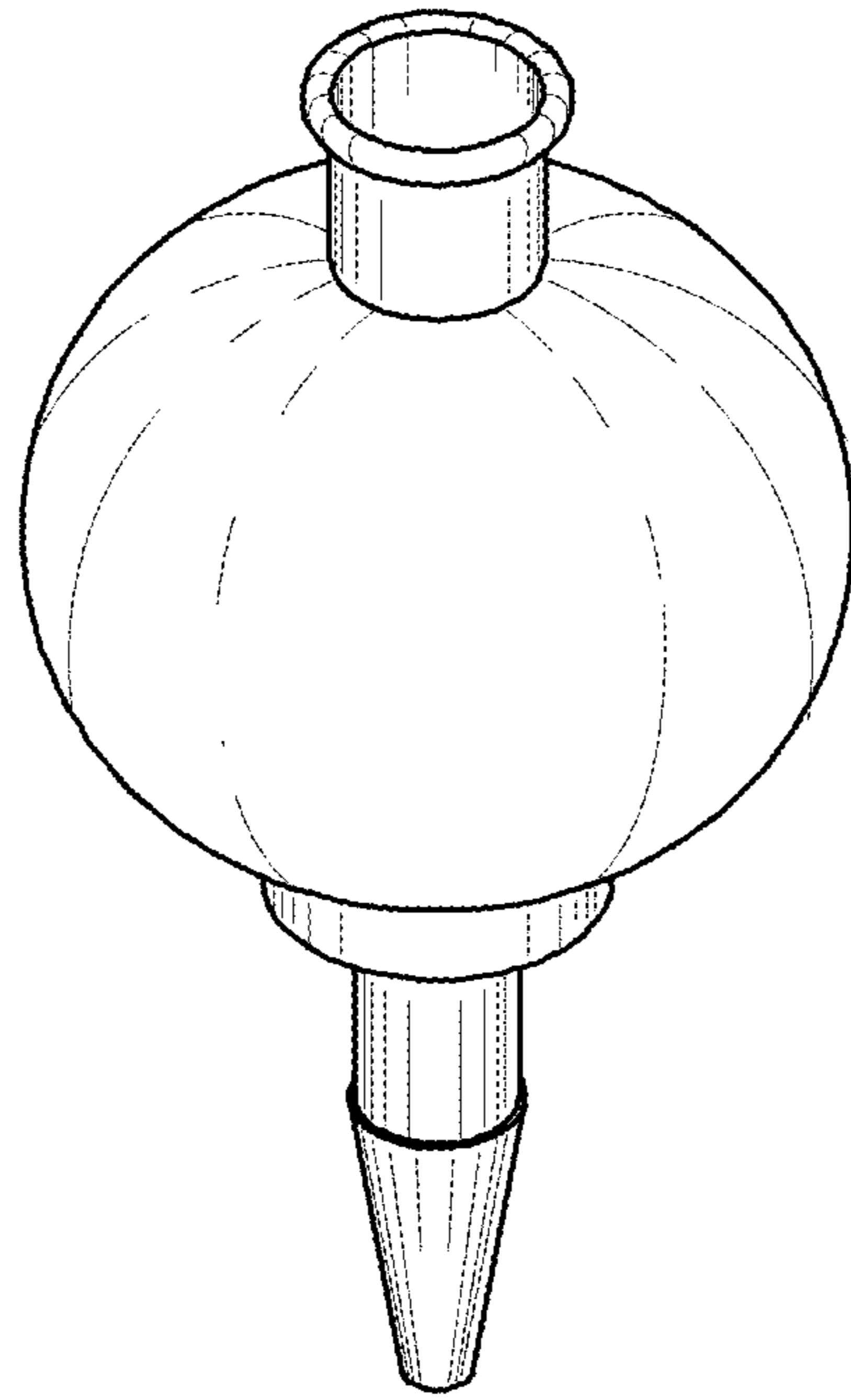


FIG. 4

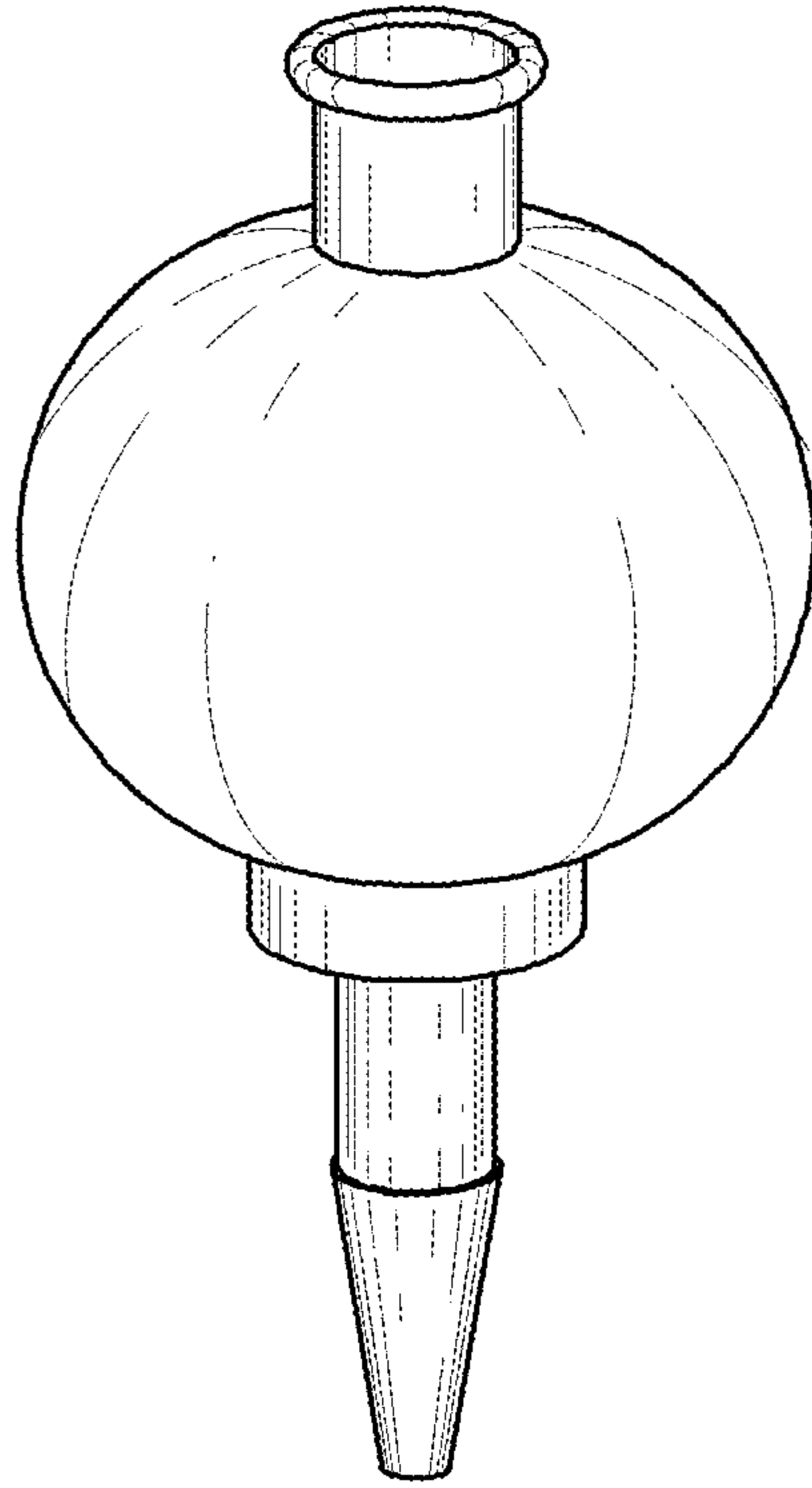


FIG. 5

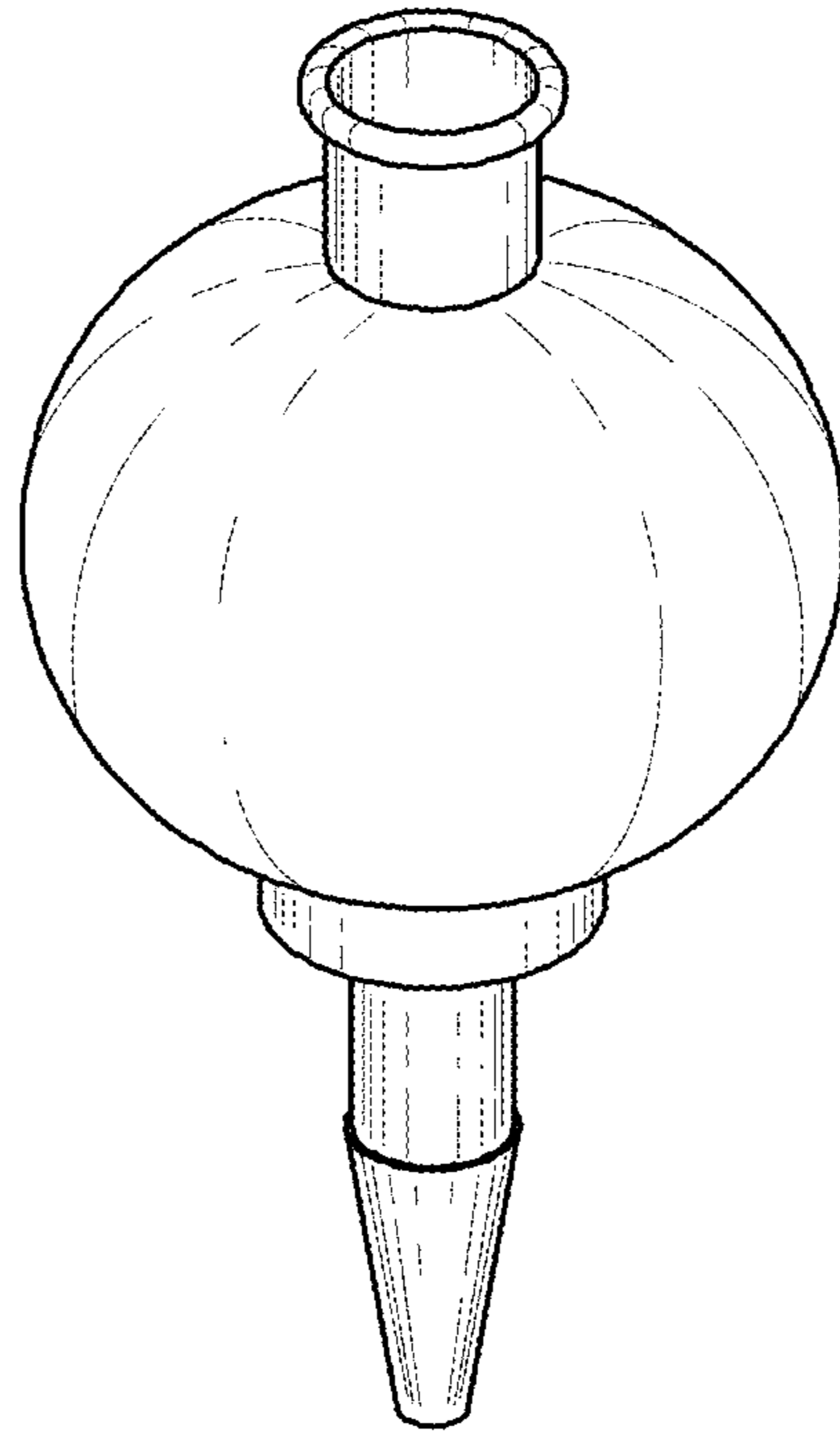


FIG. 6

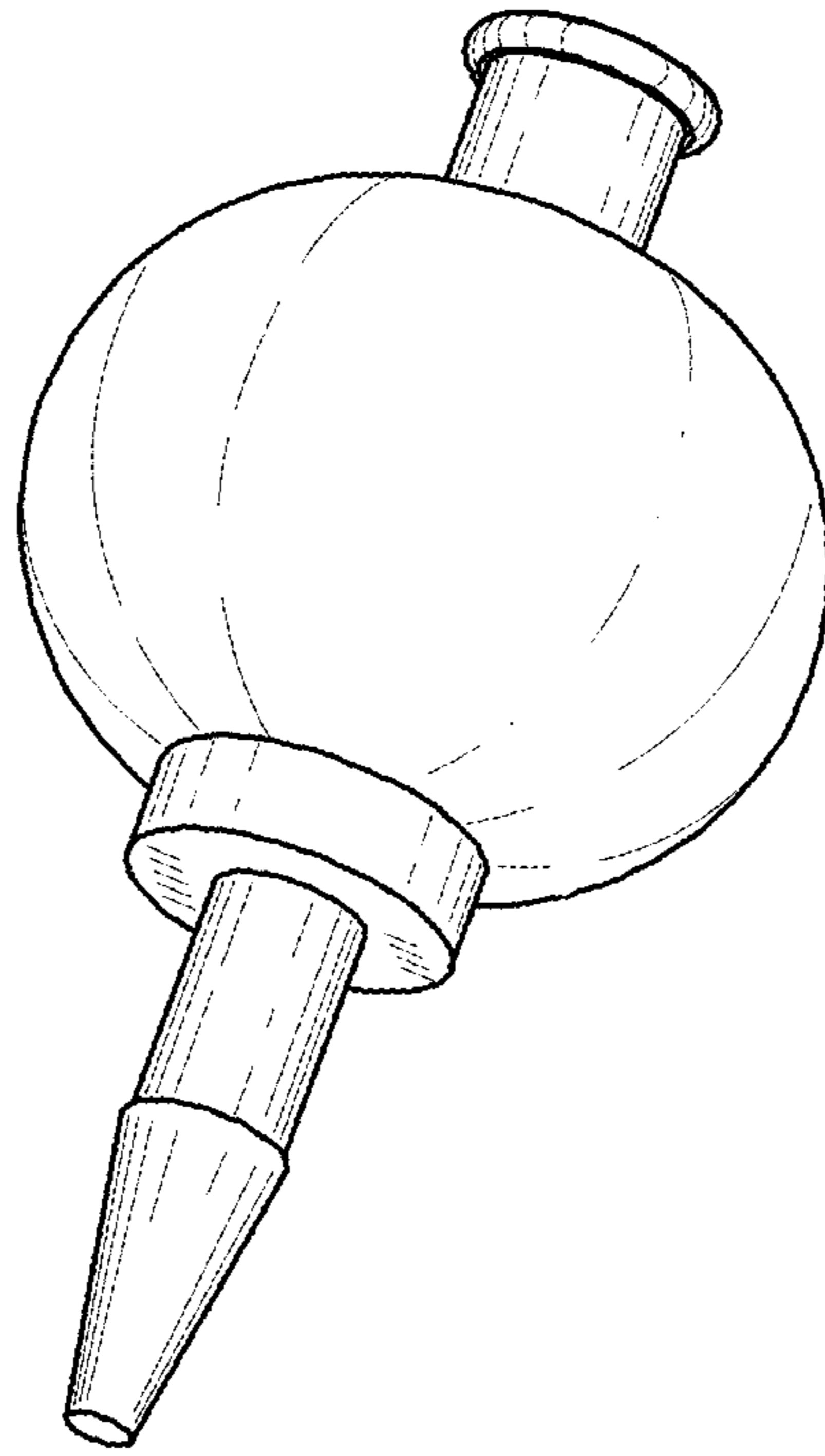


FIG. 7