



US00D784552S

(12) **United States Design Patent**
Onishi et al.

(10) **Patent No.:** **US D784,552 S**

(45) **Date of Patent:** **** Apr. 18, 2017**

(54) **BOTTLE**

3/502; B01L 3/5085; B01L 3/508; C12M
23/08; C12M 1/28; B65D 1/0223; B65D
51/002

(71) Applicant: **Beckman Coulter, Inc.**, Brea, CA (US)

See application file for complete search history.

(72) Inventors: **Hiroyuki Onishi**, Shizuoka (JP);
Masato Kayahara, Shizuoka (JP);
Hiroshi Suzuki, Shizuoka (JP);
Ryusuke Furuya, Shizuoka (JP); **Naoki**
Mukaiyama, Shizuoka (JP); **Michael**
Cooney, County Clare (IE); **Marcus**
O'Neill, County Clare (IE); **Sean**
O'Mahony, County Clare (IE)

(56) **References Cited**

U.S. PATENT DOCUMENTS

D258,720 S *	3/1981	Evans	D9/520
D282,244 S *	1/1986	Santoiemmo	D9/543
D287,638 S *	1/1987	Moore	D24/224
D290,400 S *	6/1987	Tong	D24/224
D291,730 S *	9/1987	Kelln	D24/224

(Continued)

(73) Assignees: **Beckman Coulter, Inc.**, Brea, CA
(US); **DTIL Ireland Holdings Limited**,
Dublin (IE)

Primary Examiner — Ian Simmons

Assistant Examiner — Mark Cavanna

(**) Term: **15 Years**

(74) *Attorney, Agent, or Firm* — K&L Gates LLP; Louis
C. Cullman; Brian J. Novak

(21) Appl. No.: **29/547,317**

(22) Filed: **Dec. 2, 2015**

(57) **CLAIM**

The ornamental design for a bottle, as shown and described.

Related U.S. Application Data

(62) Division of application No. 29/491,994, filed on May
27, 2014, now Pat. No. Des. 747,813.

(51) **LOC (10) Cl.** **24-02**

(52) **U.S. Cl.**
USPC **D24/224**

(58) **Field of Classification Search**

USPC D24/216, 222–226, 231, 232, 121, 117;
D9/520–521, 523, 543, 563, 575, 530,
D9/517; 604/403; 422/400, 547, 556,
422/559, 430, 502, 550, 63, 562, 568;
435/288.1, 288.2, 288.4, 304.1, 304.2;
215/370–371, 375, DIG. 3
CPC A61J 1/10; G01N 31/22; G01N 35/00029;
G01N 35/1004; B01L 2300/0816; B01L
3/50825; B01L 3/5082; B01L 3/08; B01L

DESCRIPTION

FIG. 1 is a perspective view of a bottle illustrating my new
design.

FIG. 2 is a rear perspective view of the bottle in FIG. 1.

FIG. 3 is a bottom rear perspective view of the bottle in FIG.
1.

FIG. 4 is a first side view of the bottle in FIG. 1.

FIG. 5 is a second side view of the bottle in FIG. 1.

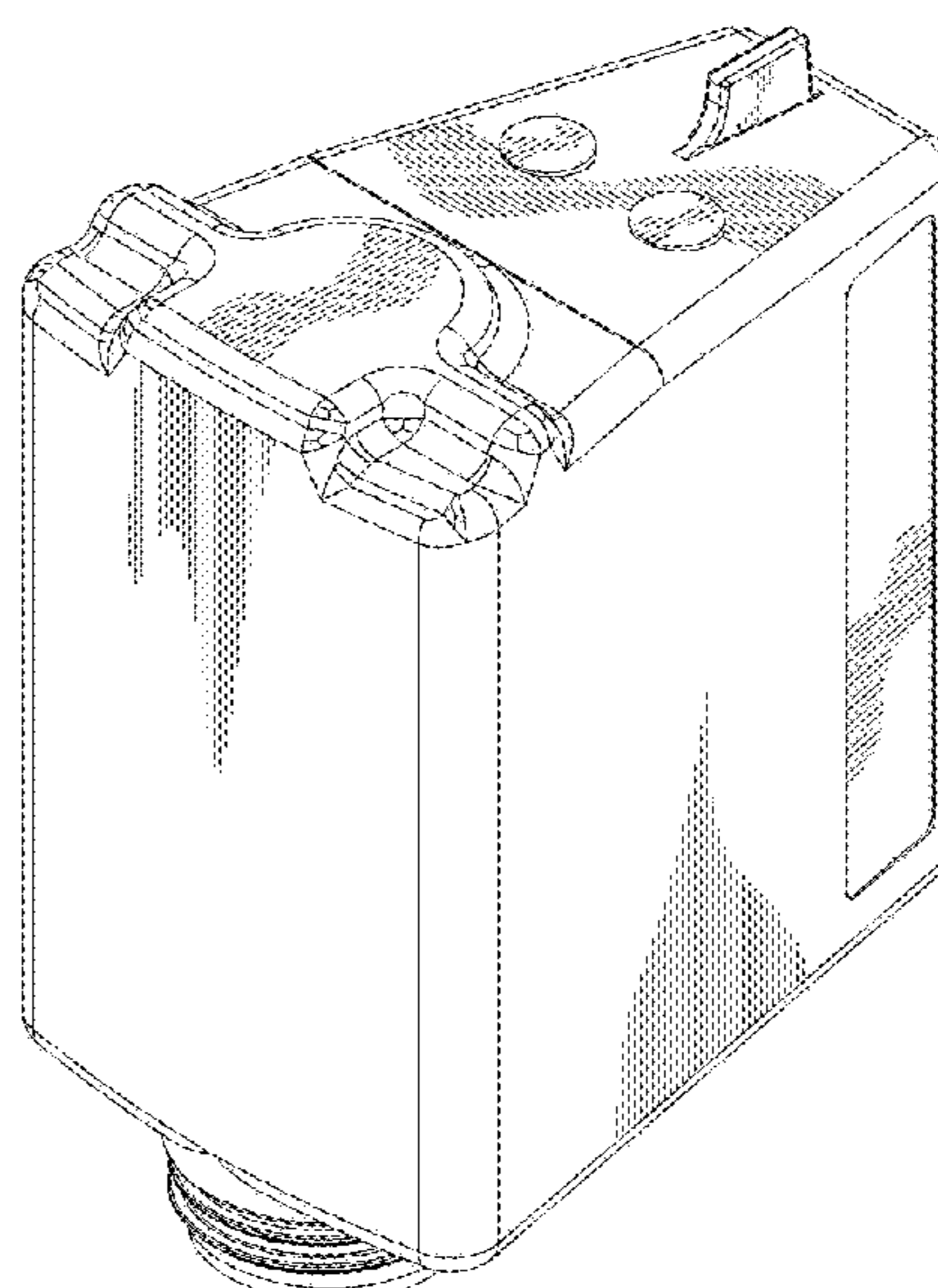
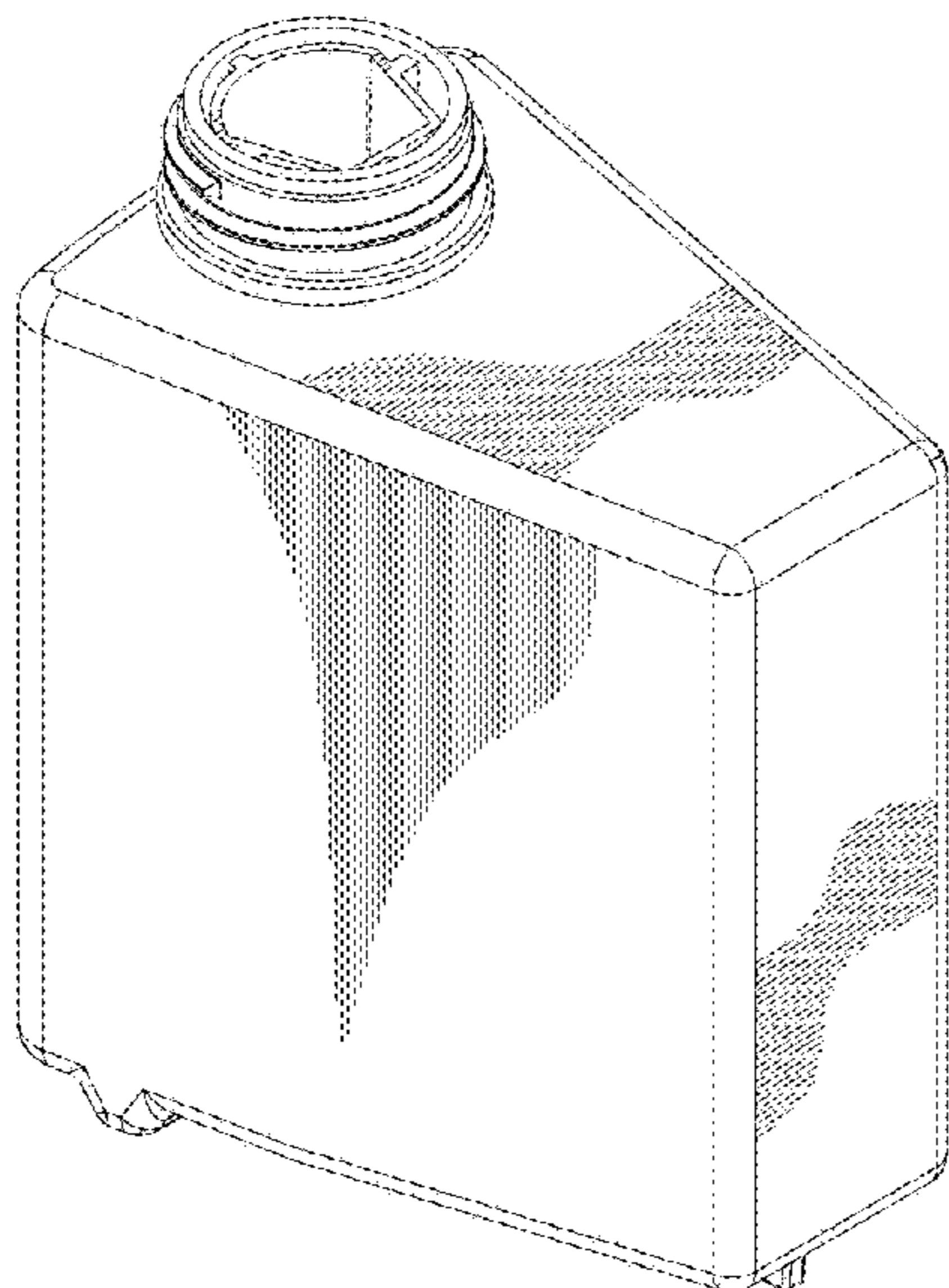
FIG. 6 is a rear view of the bottle in FIG. 1.

FIG. 7 is a front view of the bottle in FIG. 1.

FIG. 8 is a top view of the bottle in FIG. 1; and,

FIG. 9 is a bottom view of the bottle in FIG. 1.

1 Claim, 8 Drawing Sheets



(56)

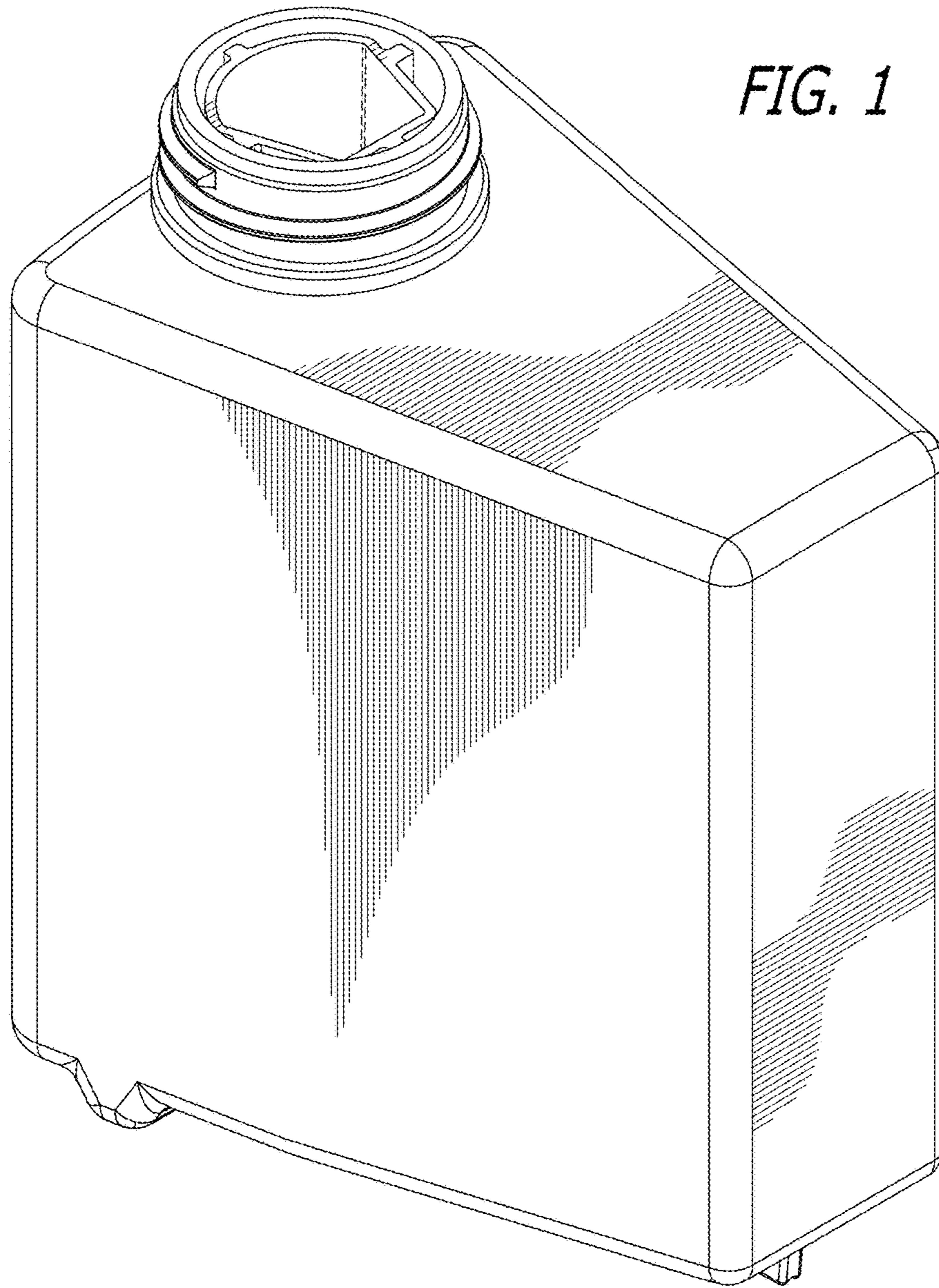
References Cited

U.S. PATENT DOCUMENTS

D296,668 S * 7/1988 Stavish D24/224
 D297,212 S * 8/1988 Stavish D9/520
 4,849,177 A * 7/1989 Jordan B01L 3/508
 422/562
 D305,360 S * 1/1990 Fechtner D24/226
 D309,015 S * 7/1990 Fechtner D24/224
 4,948,563 A * 8/1990 Kanewske, III ... G01N 35/1004
 422/568
 4,970,053 A * 11/1990 Fechtner B01L 3/508
 422/566
 D322,315 S * 12/1991 Ushikubo D24/117
 5,152,965 A * 10/1992 Fisk B01L 3/502
 422/566
 D342,140 S * 12/1993 Sakagami D24/224
 D353,464 S * 12/1994 Ushikubo D9/520
 D355,260 S * 2/1995 Tomasso D24/224
 D358,219 S * 5/1995 Ushikubo D24/224
 D363,354 S * 10/1995 Stark D24/224
 D380,553 S * 7/1997 Riekkinen D24/224
 D400,263 S * 10/1998 Shugart D24/224

D406,351 S * 3/1999 Yamazaki D24/224
 D407,826 S * 4/1999 Yamazaki D24/224
 D433,149 S * 10/2000 Fassbind D24/121
 D502,268 S * 2/2005 Sakai D24/223
 D510,769 S * 10/2005 Bublewitz D24/224
 D544,797 S * 6/2007 Wilson, II D9/520
 D565,741 S * 4/2008 Vincent D24/216
 D566,290 S * 4/2008 Parmer D24/224
 D577,443 S * 9/2008 Parmer D24/224
 D590,721 S * 4/2009 Martinez De San
 Vicente D9/520
 D630,765 S * 1/2011 Winkenbach D24/224
 D632,402 S * 2/2011 Sattler D24/224
 D634,441 S * 3/2011 Sattler D24/224
 D642,260 S * 7/2011 Hendricks D24/121
 D644,741 S * 9/2011 Sattler D24/224
 D656,622 S * 3/2012 Gasser D24/224
 D751,913 S * 3/2016 Seecof D9/520
 D752,983 S * 4/2016 Juna D9/520
 2005/0142040 A1 * 6/2005 Hanawa B01L 3/08
 422/400
 2008/0103475 A1 * 5/2008 Hendricks A61J 1/05
 604/403

* cited by examiner



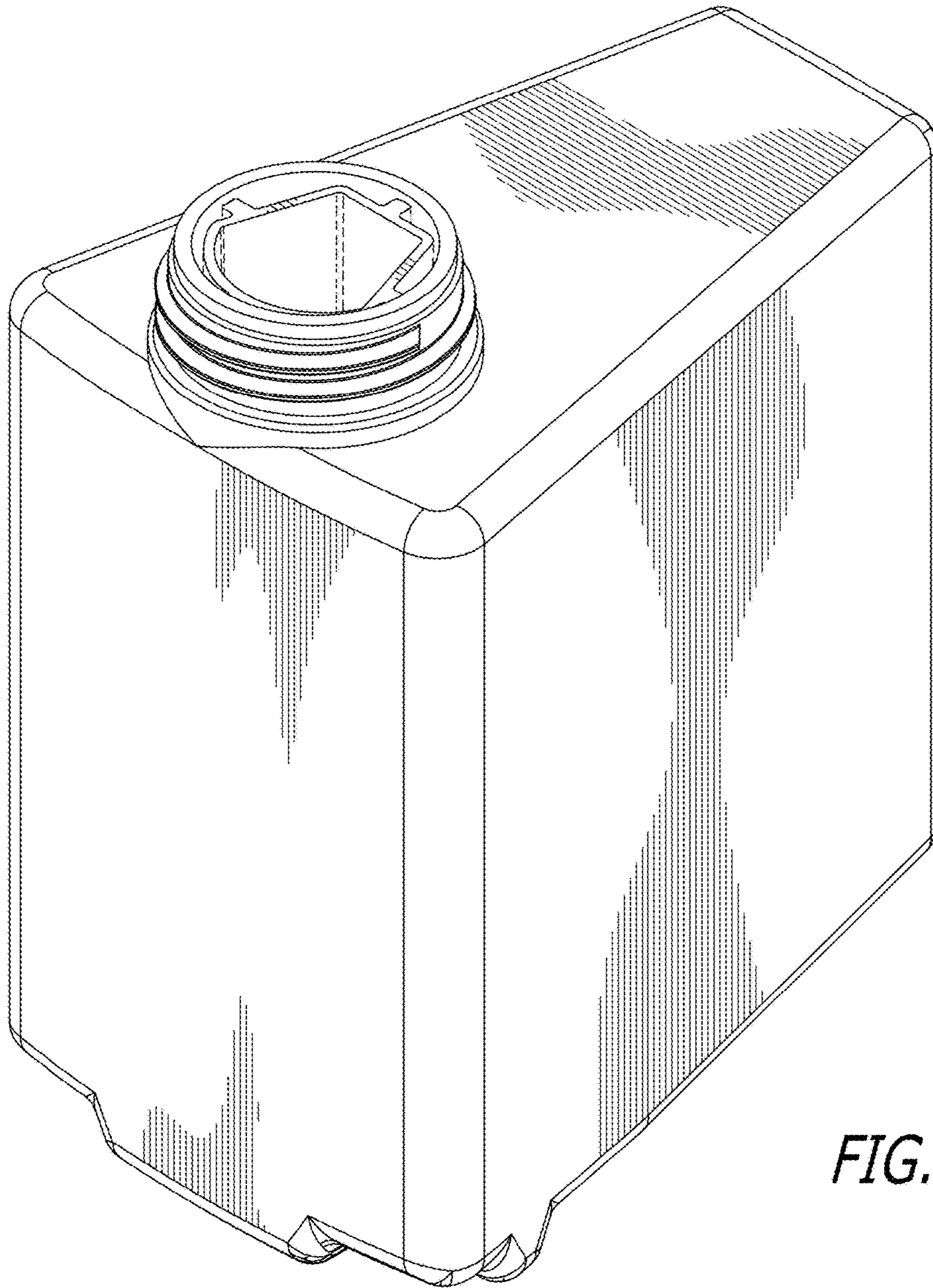


FIG. 2

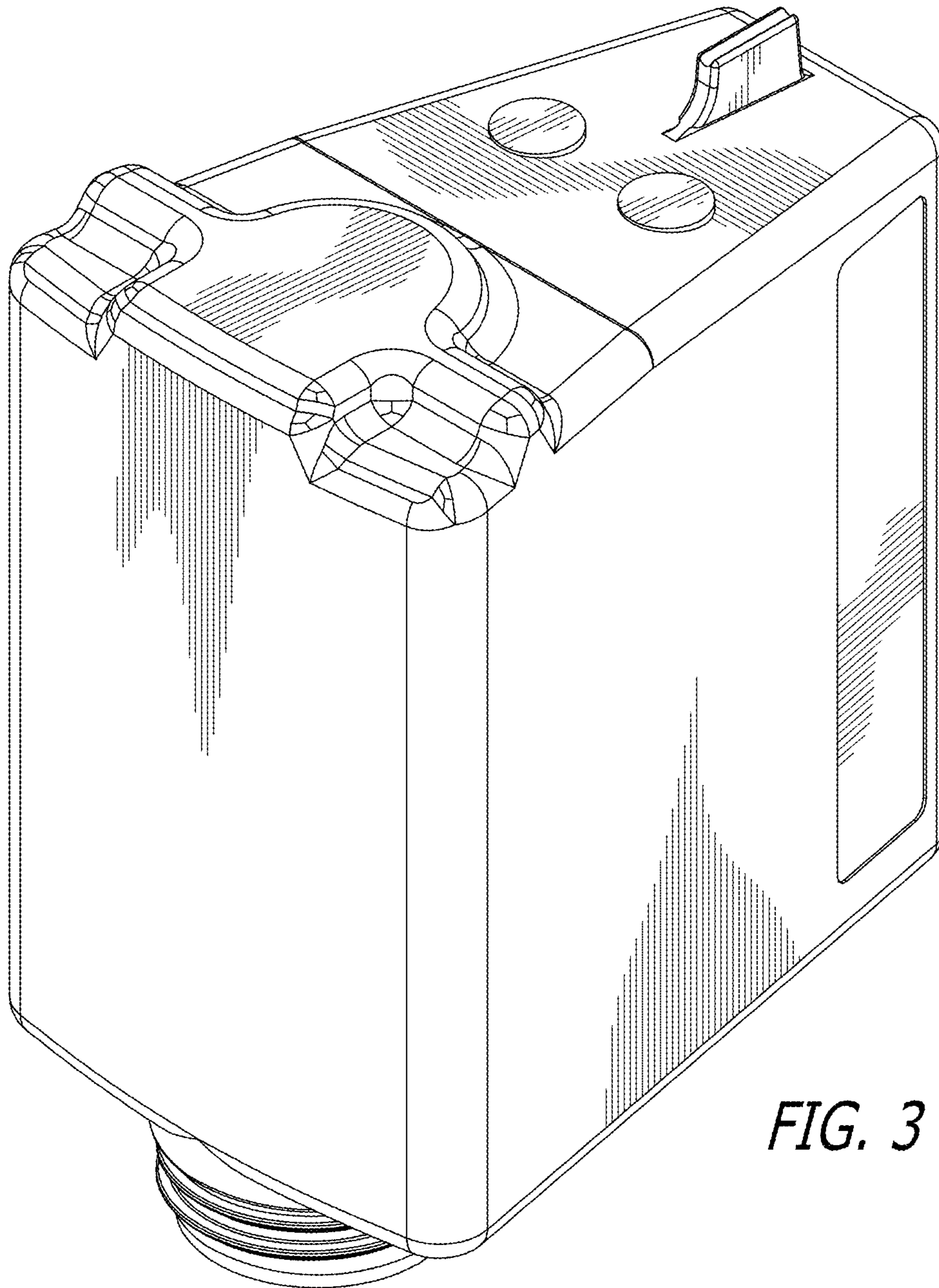


FIG. 3

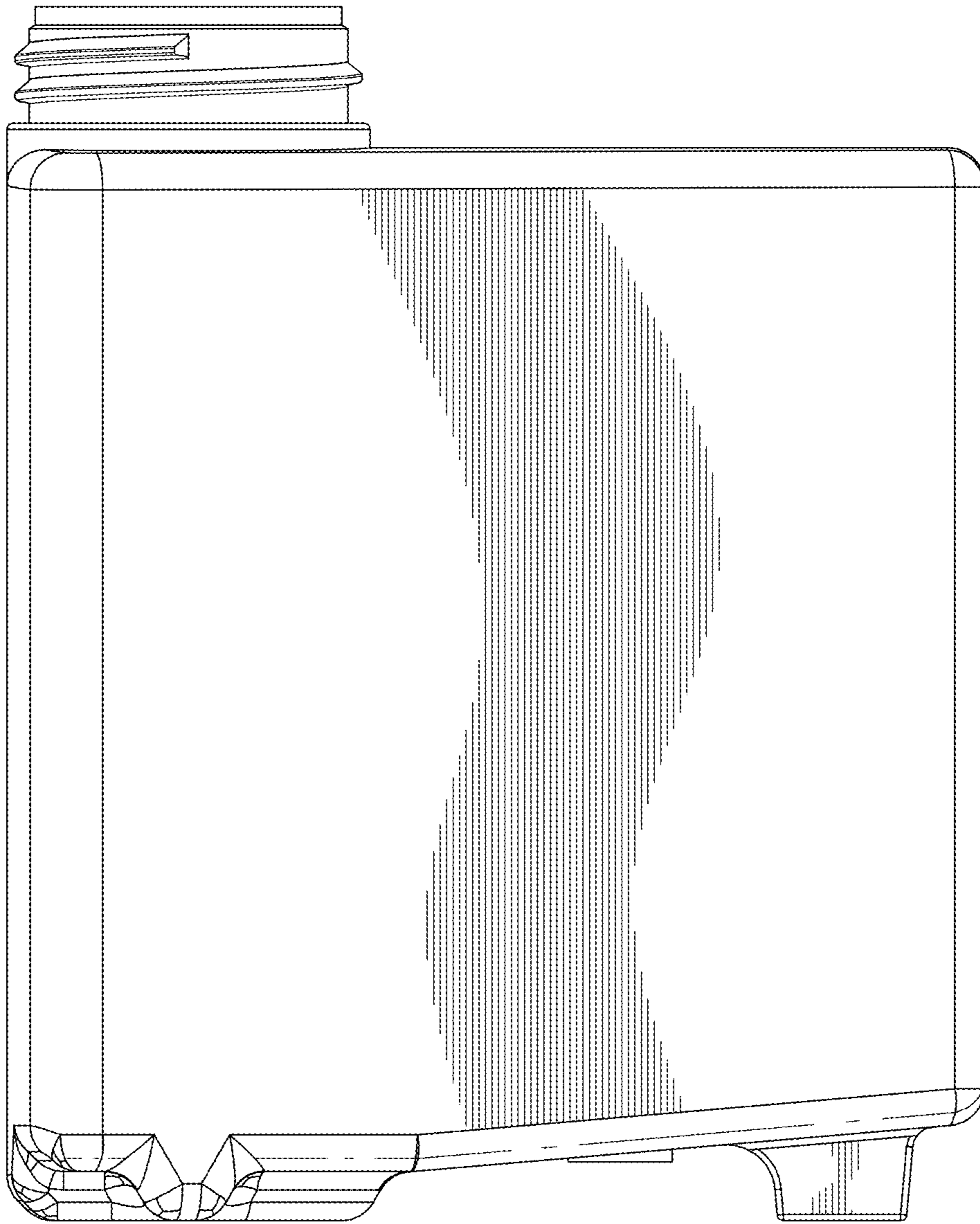


FIG. 4

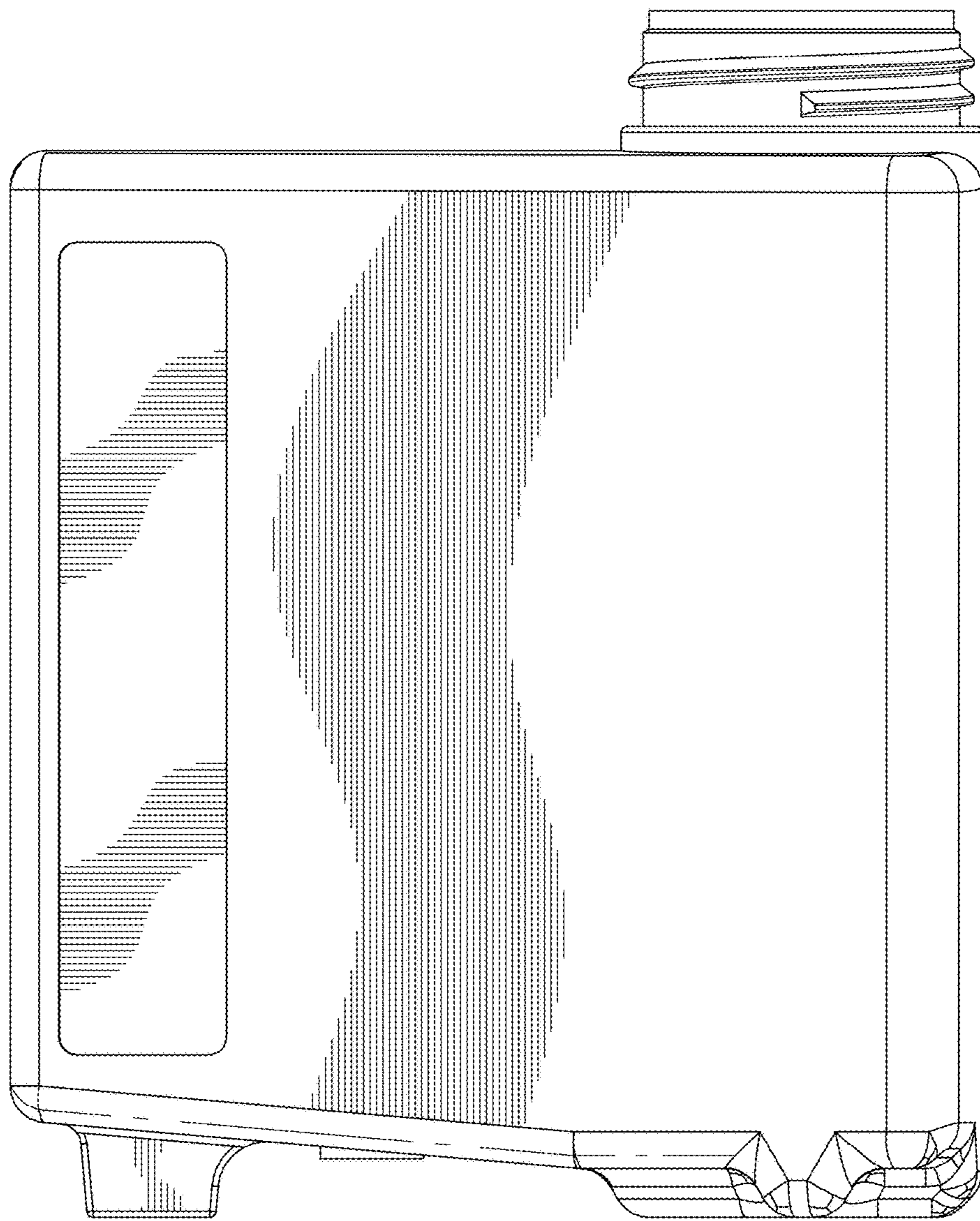


FIG. 5

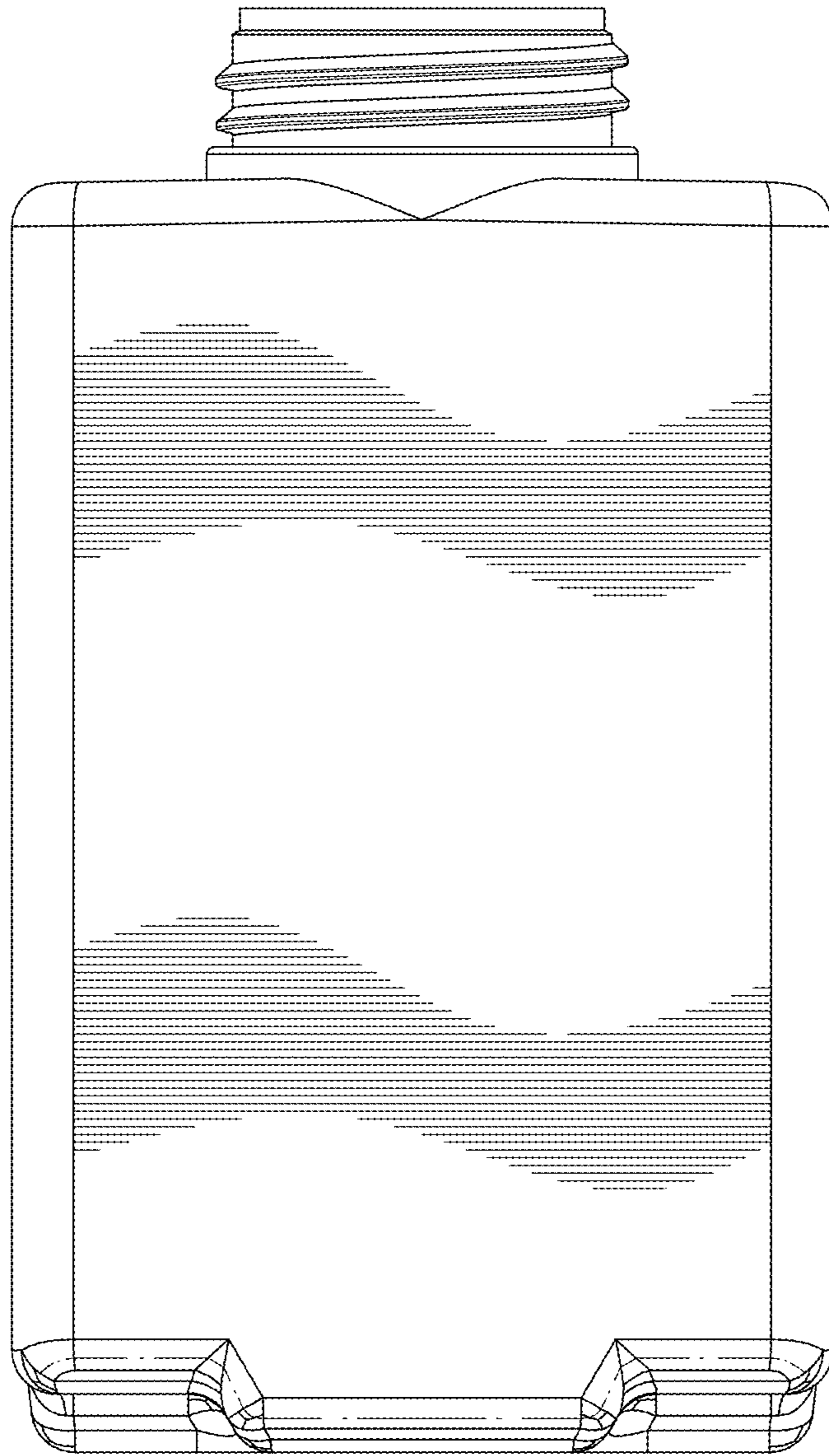


FIG. 6

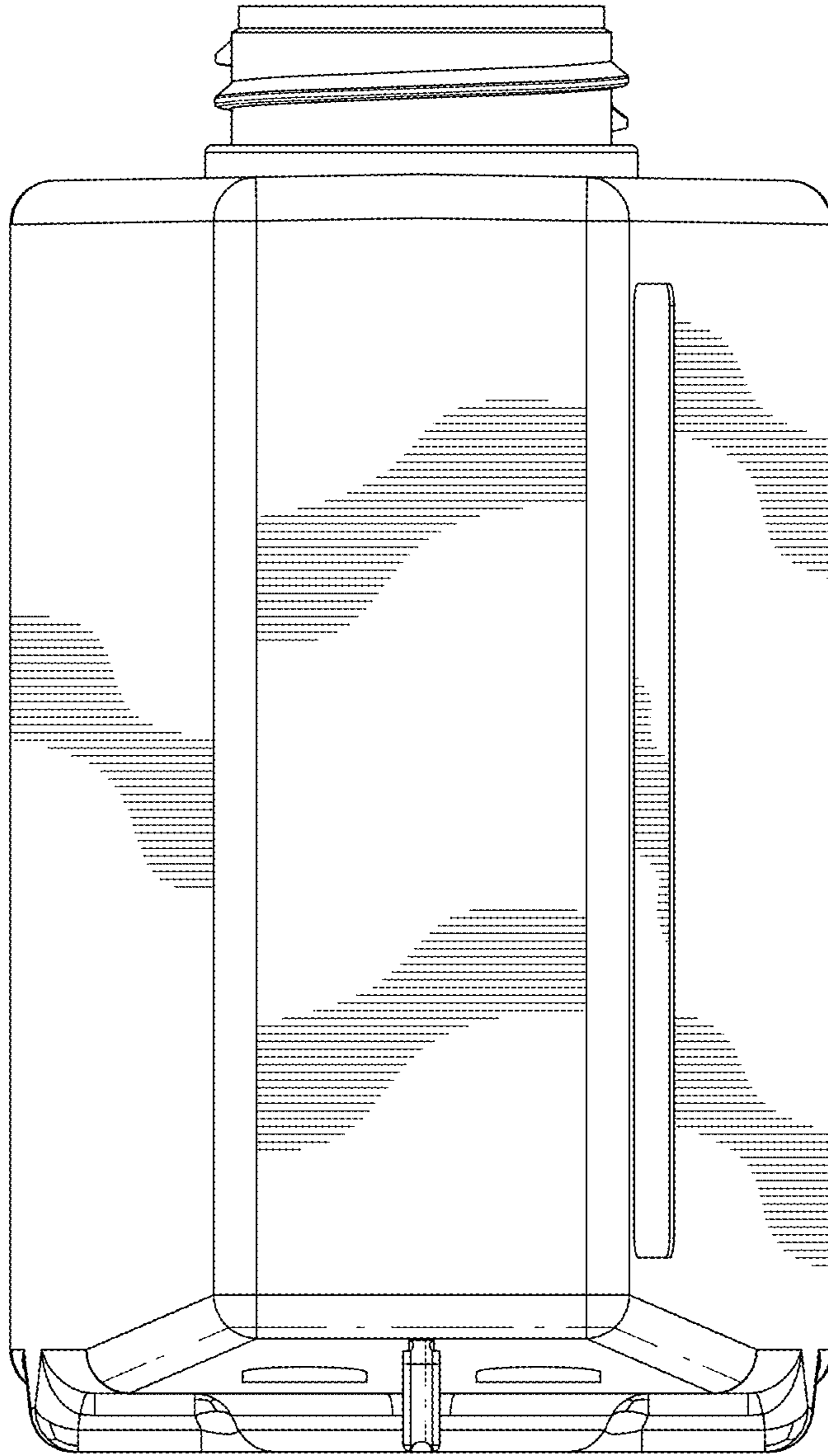


FIG. 7

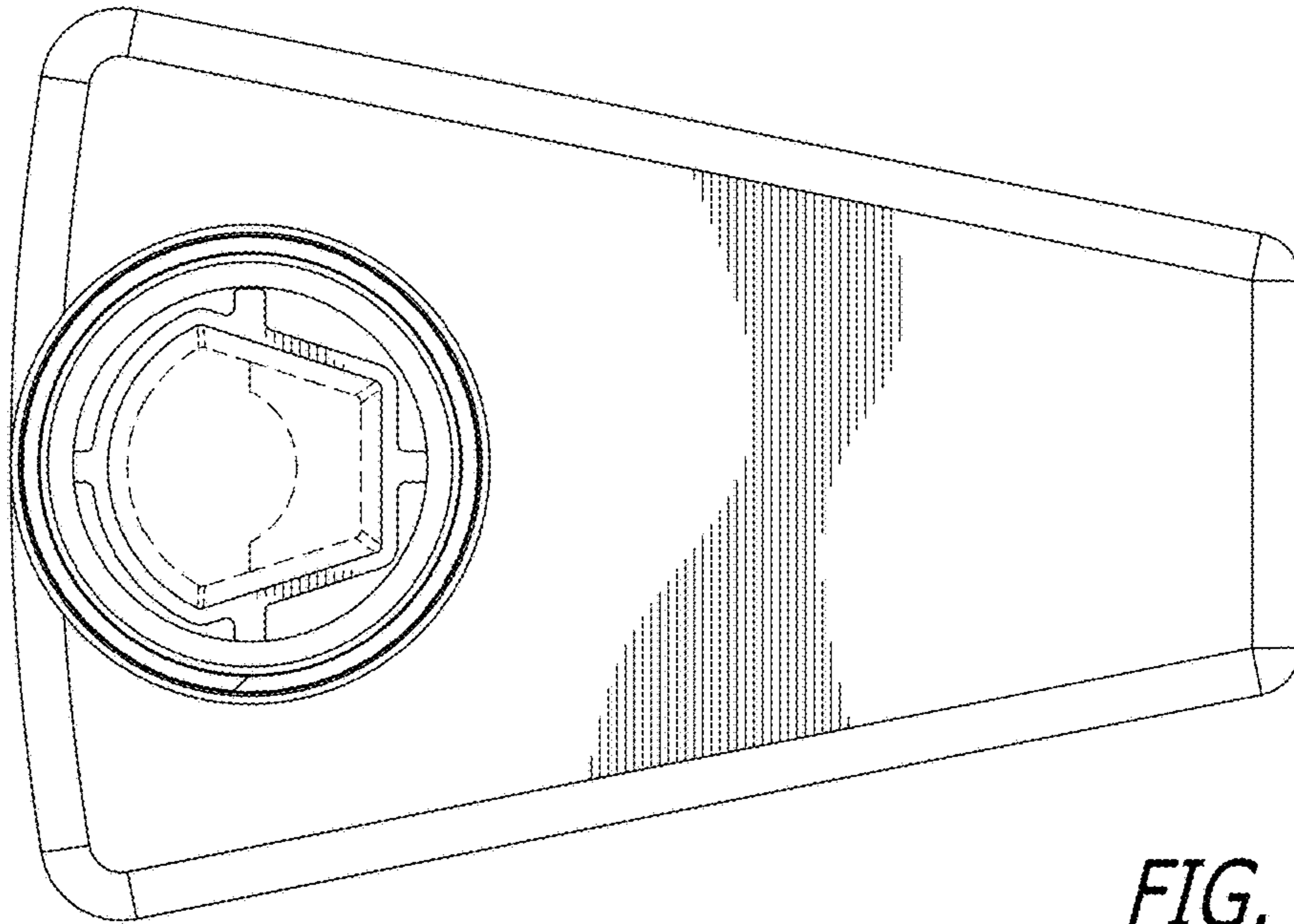


FIG. 8

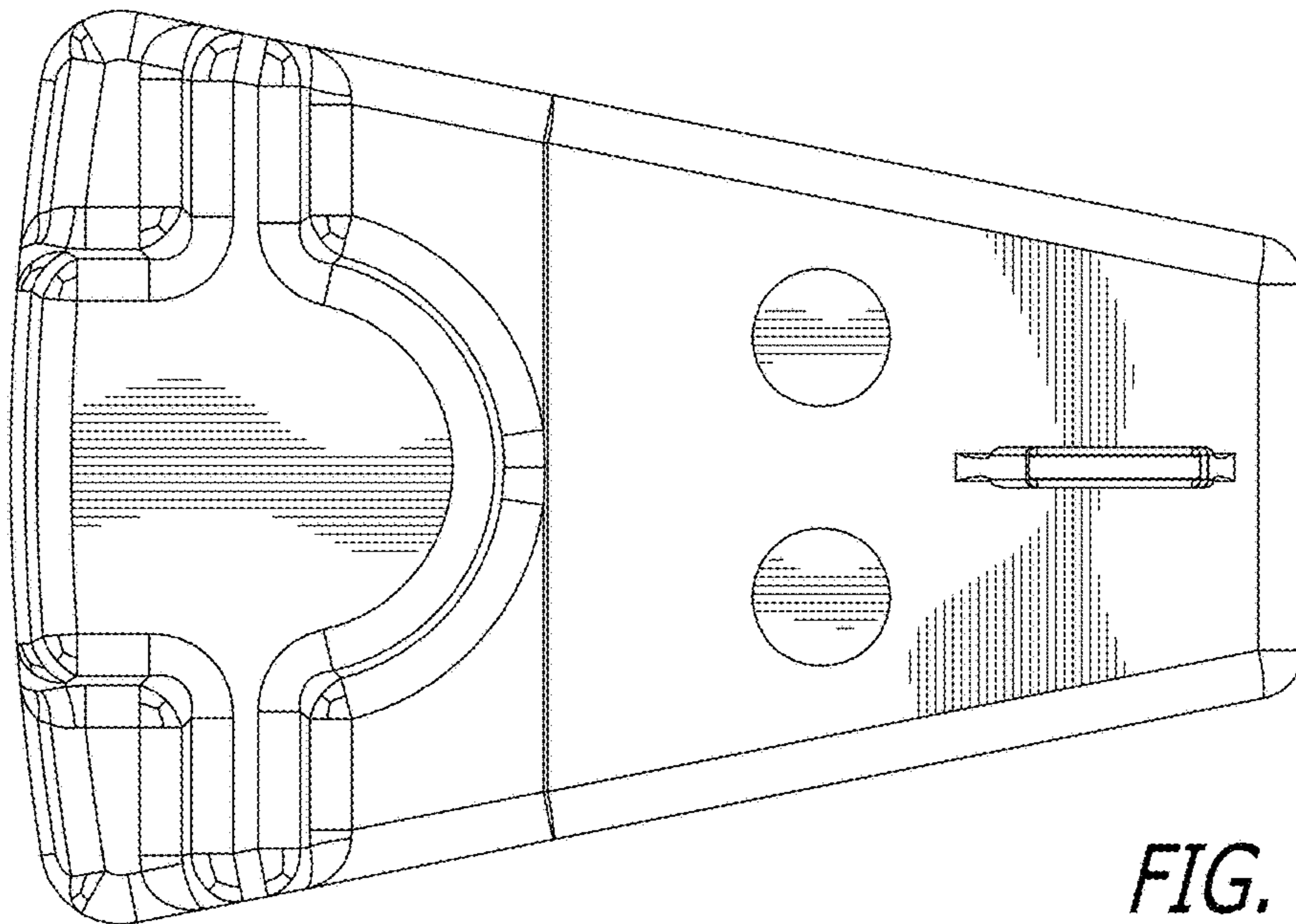


FIG. 9