



US00D784549S

(12) **United States Design Patent**
Brooks et al.

(10) **Patent No.:** **US D784,549 S**
(45) **Date of Patent:** **** Apr. 18, 2017**

(54) **LABORATORY ANALYSIS DEVICE HOUSING**

(71) Applicant: **Streck, Inc.**, LaVista, NE (US)

(72) Inventors: **Joseph William Brooks**, Manchester, NH (US); **Bardhyl Qendro**, Manchester, NH (US); **John Flanagan**, Holbrook, MA (US); **Norman P. Michaud, Jr.**, Londonderry, NH (US); **Matthew Kreifels**, Elkhorn, NE (US); **Scott Whitney**, Lincoln, NE (US); **Paul Dye**, Omaha, NE (US)

(73) Assignee: **Streck, Inc.**, LaVista, NE (US)

(**) Term: **14 Years**

(21) Appl. No.: **29/525,203**

(22) Filed: **Apr. 28, 2015**

(51) **LOC (10) Cl.** **24-01**

(52) **U.S. Cl.**
USPC **D24/216**

(58) **Field of Classification Search**
USPC D24/216-219, 231, 232, 233, 107, 169, D24/186; D10/81
CPC G01N 2035/00306; G01N 2035/00326; G01N 2035/00336; G01N 21/6428; G01N 21/645; G01N 2201/068; G01N 2035/00366; C12Q 1/686; B01L 7/52
See application file for complete search history.

(56) **References Cited**

U.S. PATENT DOCUMENTS

D651,720 S * 1/2012 Isozaki D24/216
D665,917 S 8/2012 TerMaat
D687,968 S * 8/2013 Trigg D24/232
D717,968 S * 11/2014 Klein D24/232

D730,535 S * 5/2015 Gutmann D24/216
9,034,635 B2 5/2015 TerMaat
2012/0308990 A1* 12/2012 TerMaat B01L 7/52
435/3
2014/0045186 A1* 2/2014 Gubatayao B01L 7/52
435/6.12
2016/0202184 A1* 7/2016 Kreifels G01N 21/6428
435/287.2

OTHER PUBLICATIONS

Copending U.S. Appl. No. 13/484,963, filed May 31, 2012.
Copending U.S. Appl. No. 13/833,349, filed Mar. 15, 2013.
U.S. Appl. No. 61/840,755, filed Jun. 28, 2013.

* cited by examiner

Primary Examiner — Anhdao Doan

(74) *Attorney, Agent, or Firm* — The Dobrusin Law Firm, P.C.

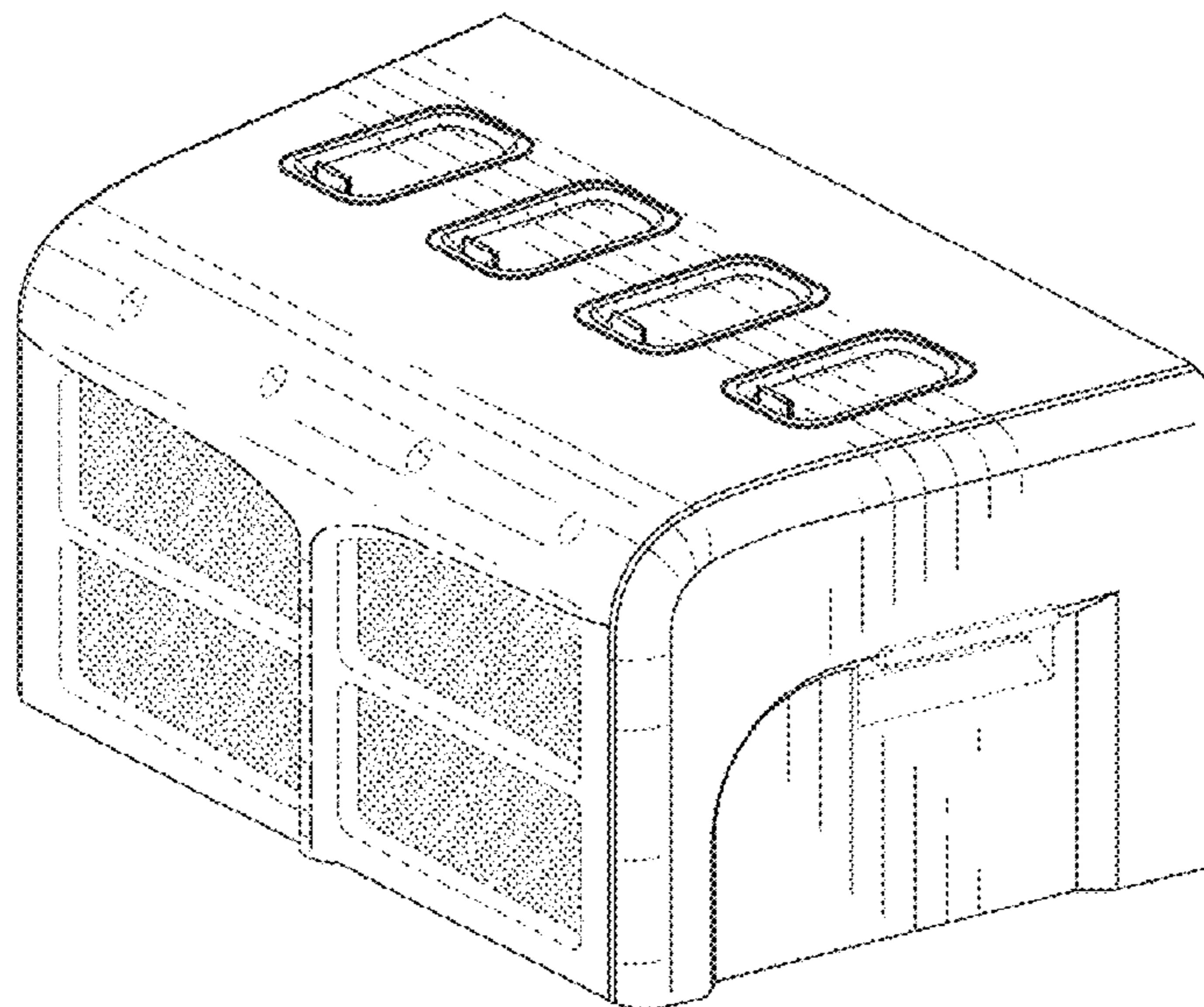
(57) **CLAIM**

The ornamental design for a laboratory analysis device housing, as shown and described.

DESCRIPTION

FIG. 1 is a perspective view of a laboratory analysis device housing in accordance with the present teachings.
FIG. 2 is a front elevational view thereof.
FIG. 3 is a rear elevational view thereof.
FIG. 4 is a top plan view thereof;
FIG. 5 is a bottom plan view thereof;
FIG. 6 is a side elevational view thereof; and,
FIG. 7 is an opposing side elevational view thereof.
The broken lines immediately adjacent the shaded surfaces and the dash-dot-dash broken lines represent the bounds of the claim, and all other broken lines represent environment. None of the broken lines form part of the claimed design.

1 Claim, 4 Drawing Sheets



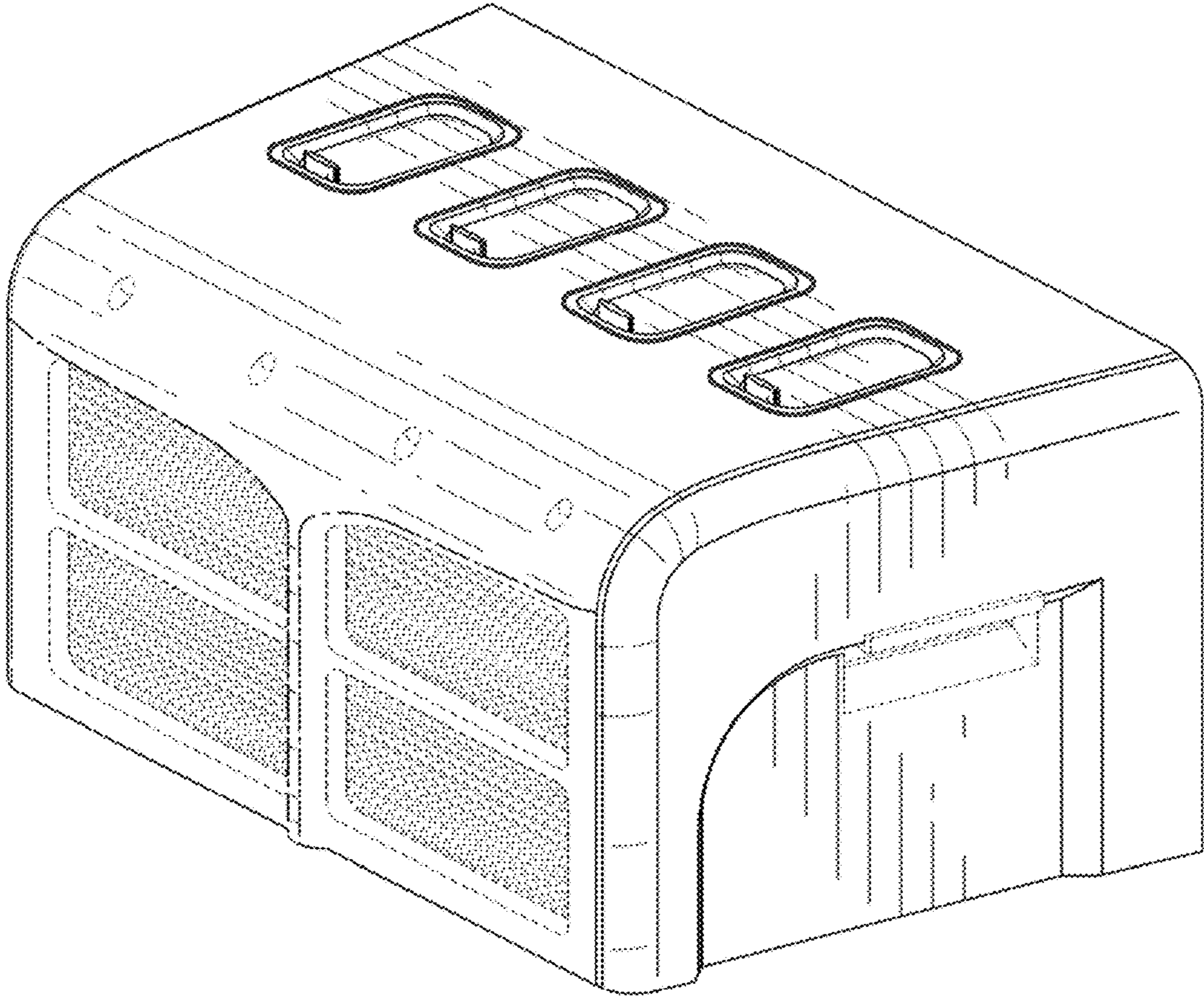


Fig-1

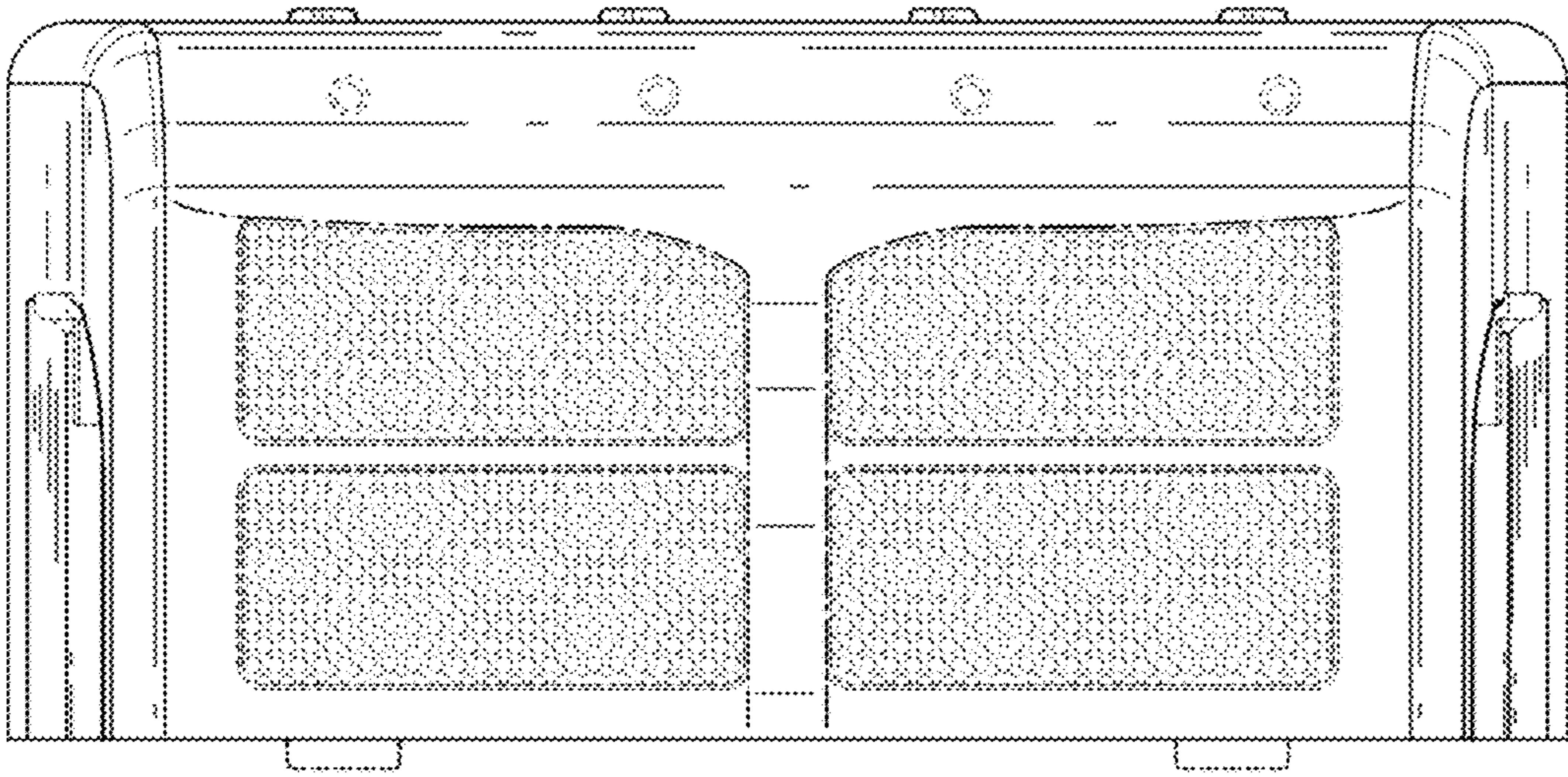


Fig-2

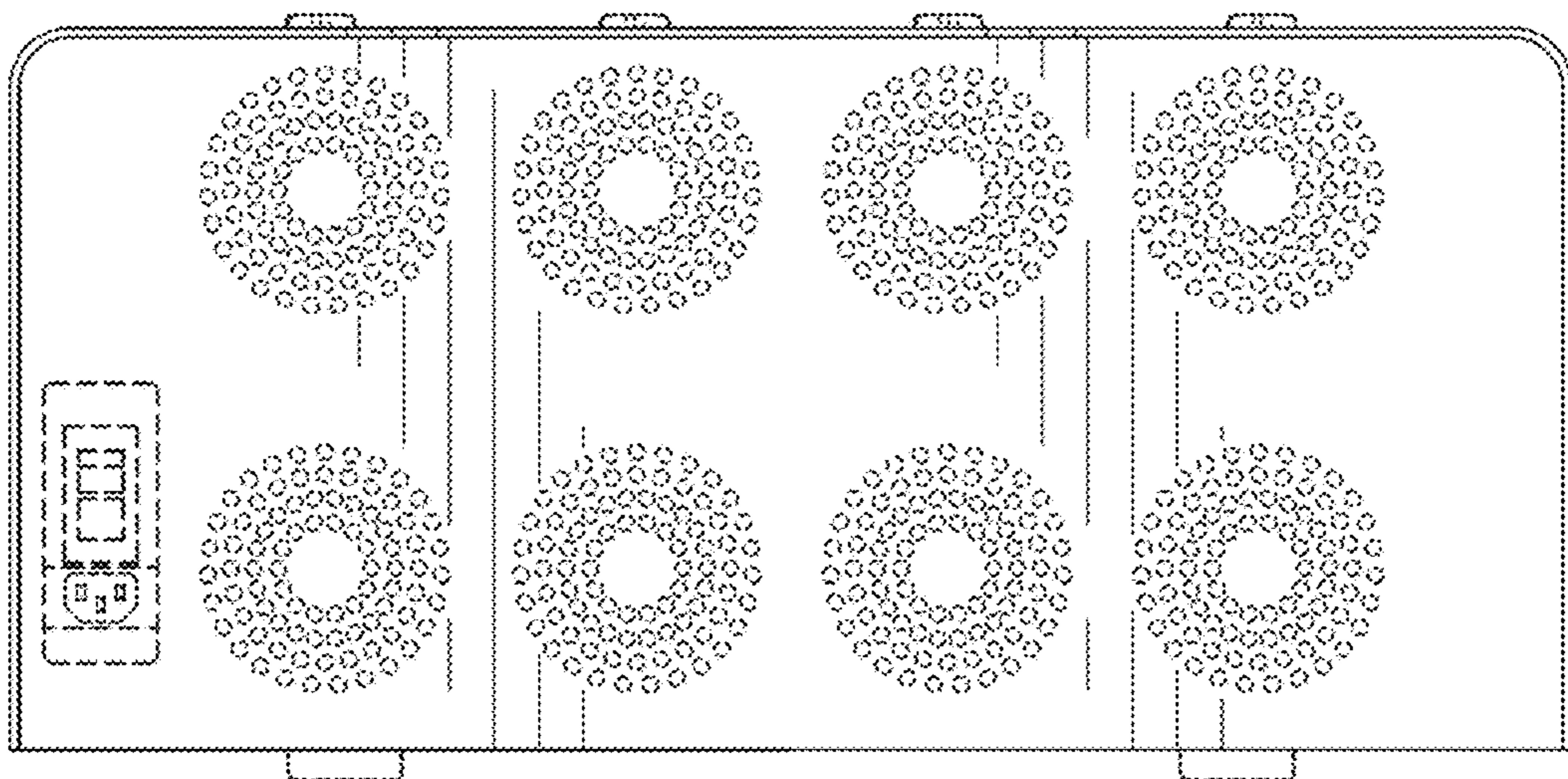


Fig-3

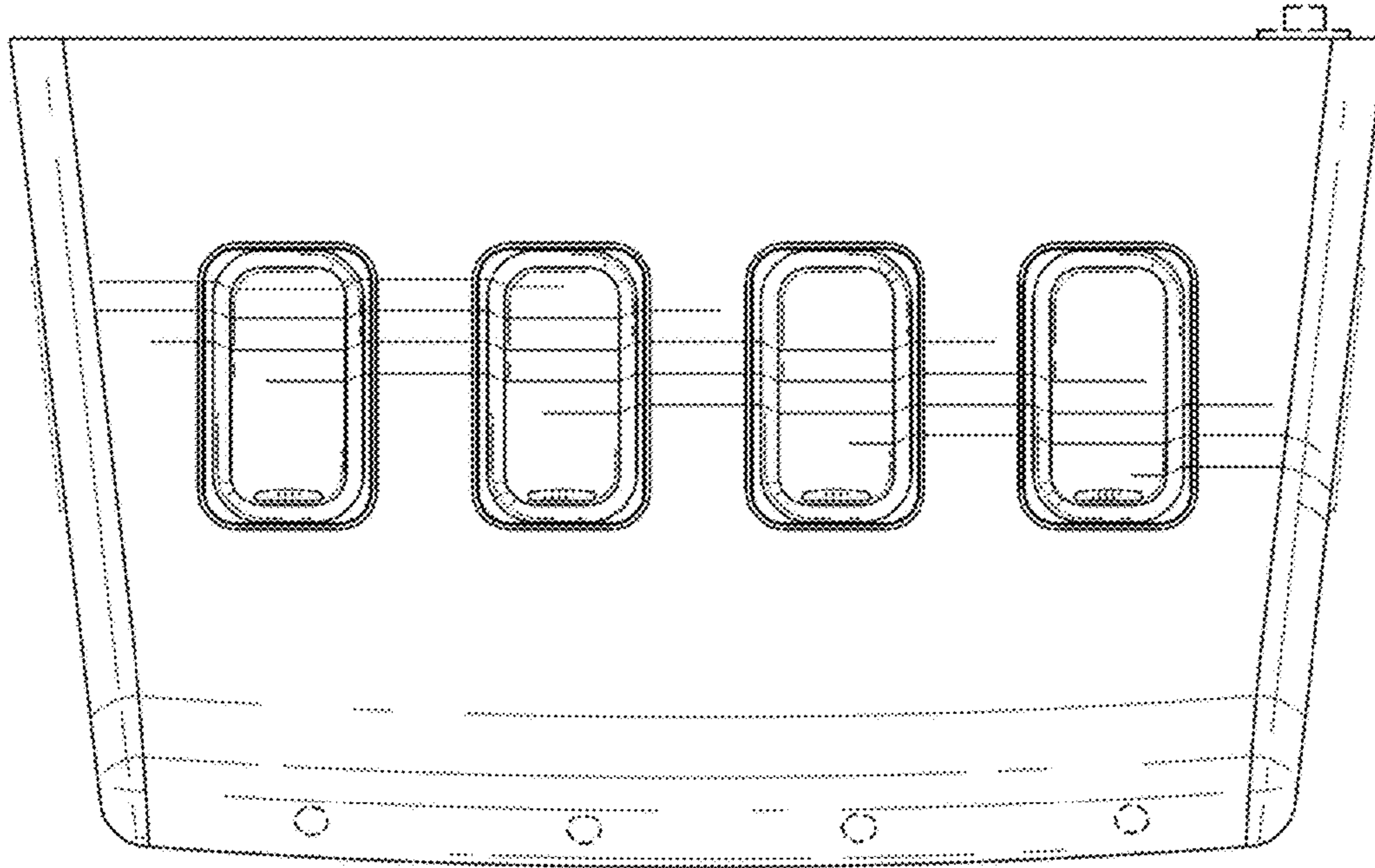


Fig-4

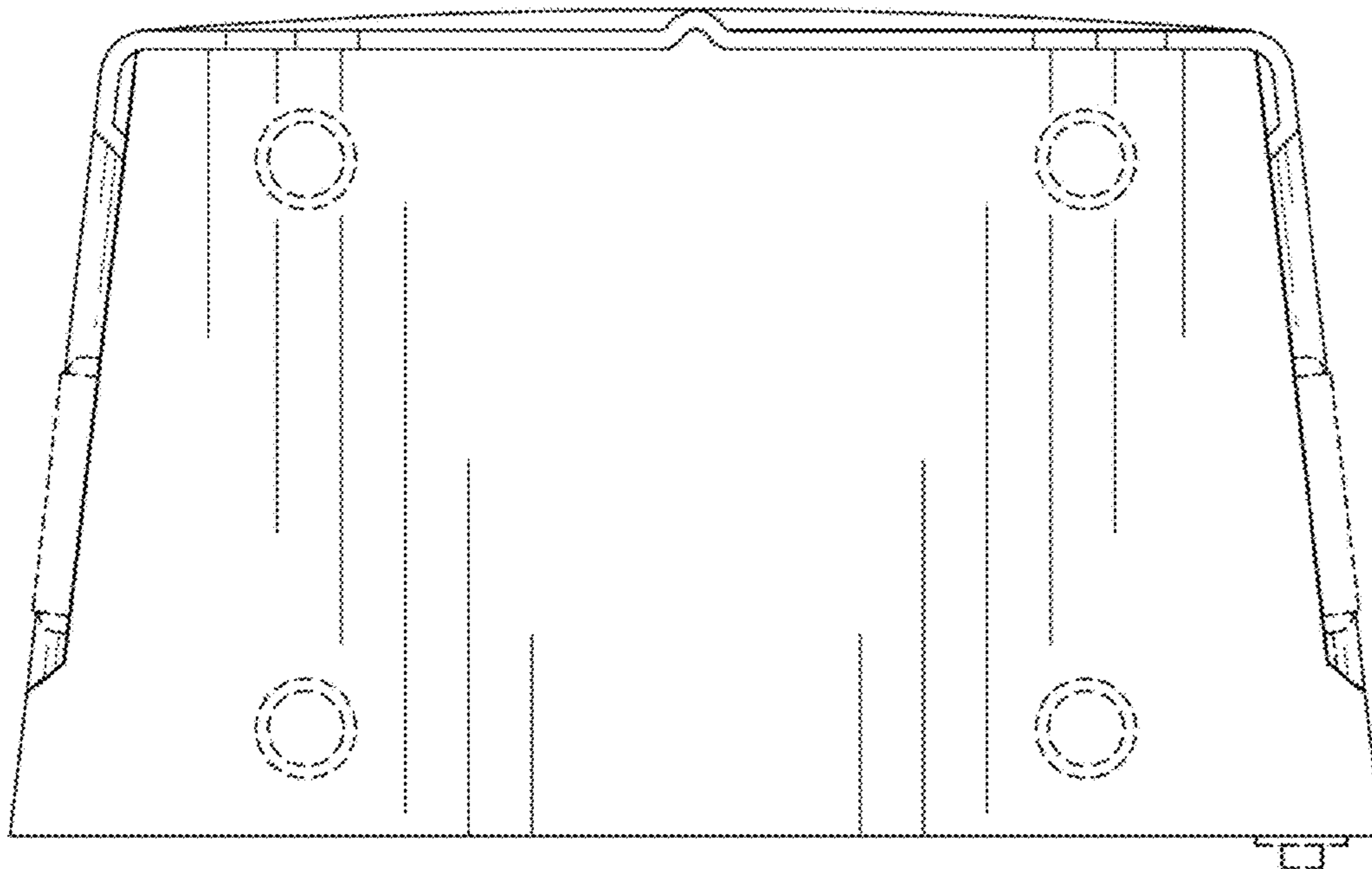


Fig-5

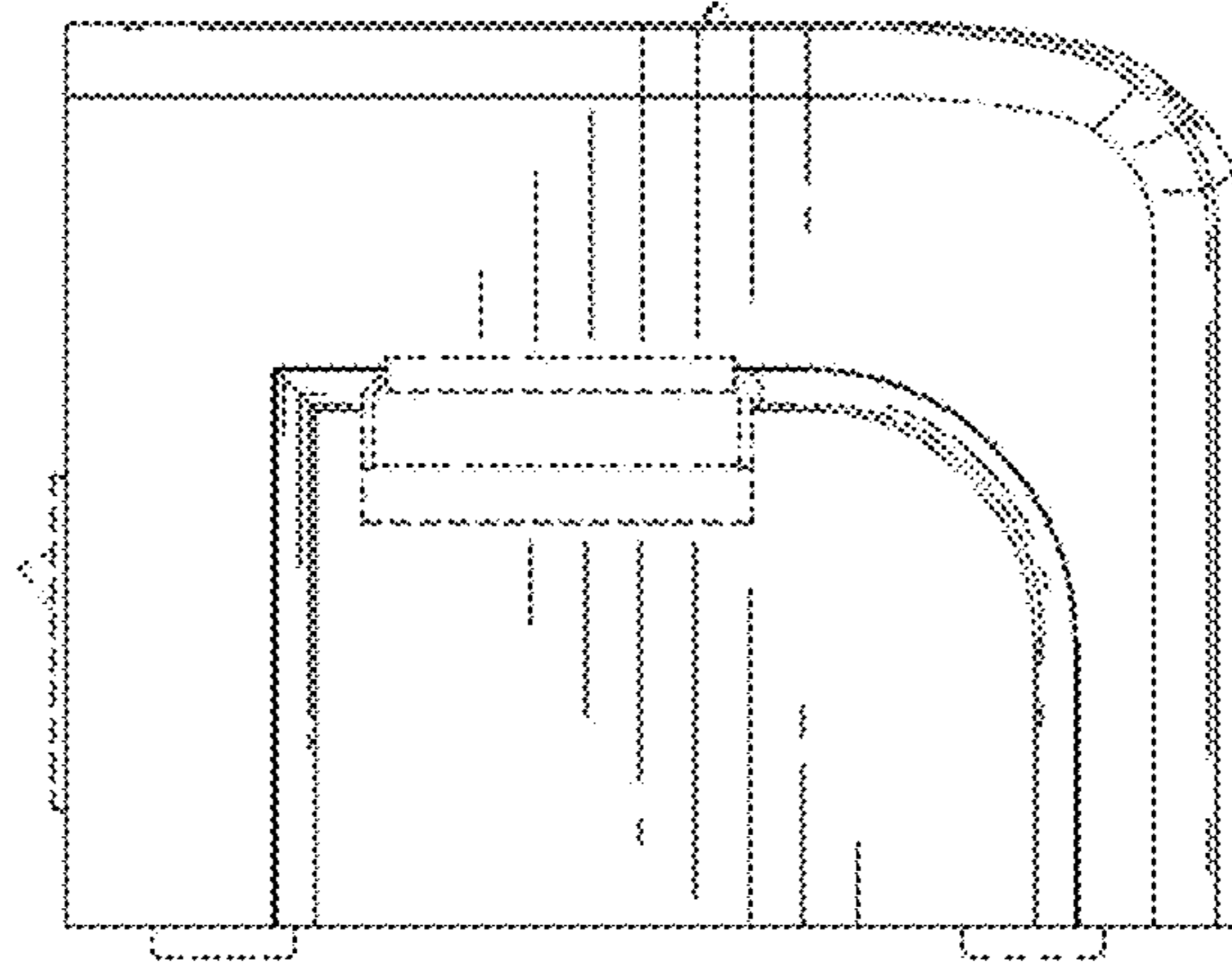


Fig-6

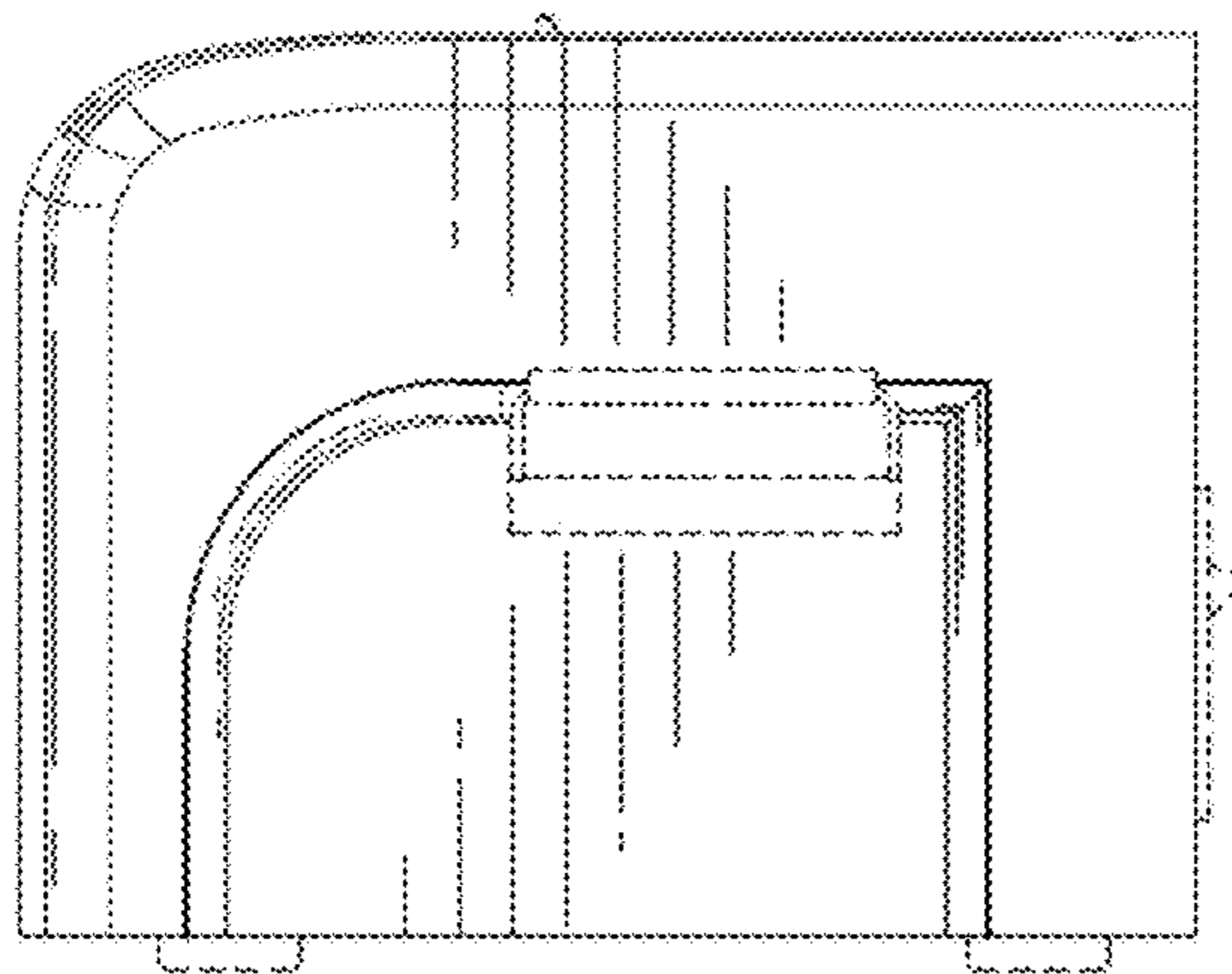


Fig-7