



US00D784545S

(12) **United States Design Patent**
Jangir

(10) **Patent No.:** **US D784,545 S**
(45) **Date of Patent:** **** Apr. 18, 2017**

(54) **BELT SYSTEM FOR SPINE AND WAIST SUPPORT**

(71) Applicant: **Ganesh Ram Jangir**, Jaipur (IN)

(72) Inventor: **Ganesh Ram Jangir**, Jaipur (IN)

(**) Term: **15 Years**

(21) Appl. No.: **29/530,664**

(22) Filed: **Jun. 18, 2015**

(30) **Foreign Application Priority Data**

Dec. 19, 2014 (IN) 268302

(51) **LOC (10) Cl.** **24-04**

(52) **U.S. Cl.**
USPC **D24/190; D29/101.1**

(58) **Field of Classification Search**
USPC D24/189–192; D2/828–830;
D3/215–217, 222; D29/101.1
CPC A45F 3/04; A45F 3/14; A45F 5/00; A45F
2003/045; A61F 5/028; A61F 5/0193;
A61F 5/026; A61F 5/024; A61F 5/0102
See application file for complete search history.

(56) **References Cited**

U.S. PATENT DOCUMENTS

- D381,428 S * 7/1997 Torok D24/190
- 5,816,251 A * 10/1998 Glisan A61F 5/026
128/845
- D454,986 S * 3/2002 Casebolt D29/101.1
- D457,965 S * 5/2002 Firer D24/190
- 6,752,776 B2 * 6/2004 West A61H 3/008
602/32
- 6,942,630 B2 * 9/2005 Behan A61F 5/0102
128/875

- 6,962,572 B1 * 11/2005 Zahiri A61F 5/028
128/869
- 7,341,025 B1 * 3/2008 Streeter A47D 13/046
119/770
- 7,780,616 B2 * 8/2010 Katoh A61F 5/0102
601/33
- 7,833,182 B2 * 11/2010 Hughes A61F 5/026
128/845
- 8,663,135 B2 * 3/2014 Hirata A44B 11/28
182/3
- 8,708,941 B2 * 4/2014 Paaske A61F 5/0193
602/16

* cited by examiner

Primary Examiner — George D Kirschbaum
Assistant Examiner — Jennifer Watkins
(74) *Attorney, Agent, or Firm* — JCIP; Joseph G. Chu

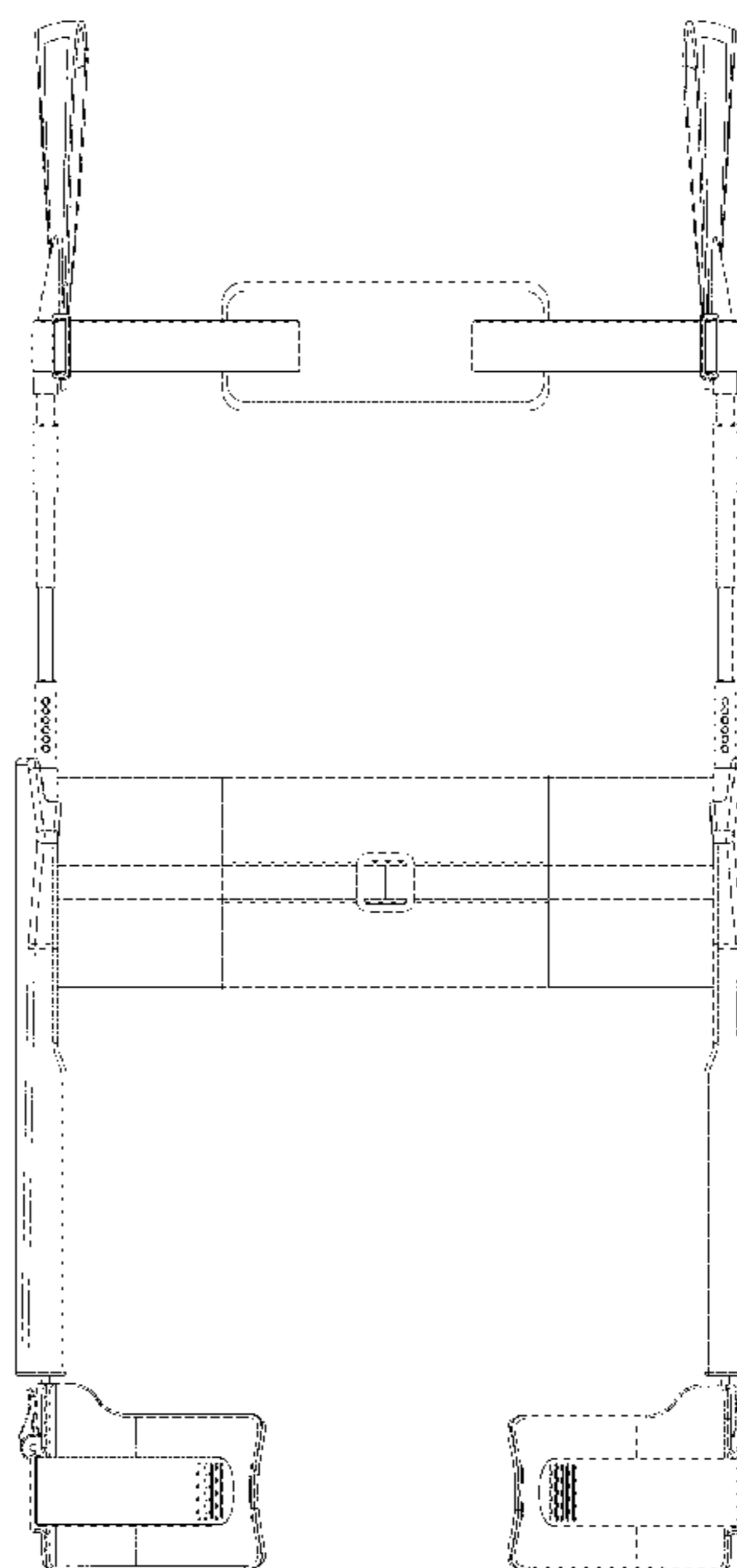
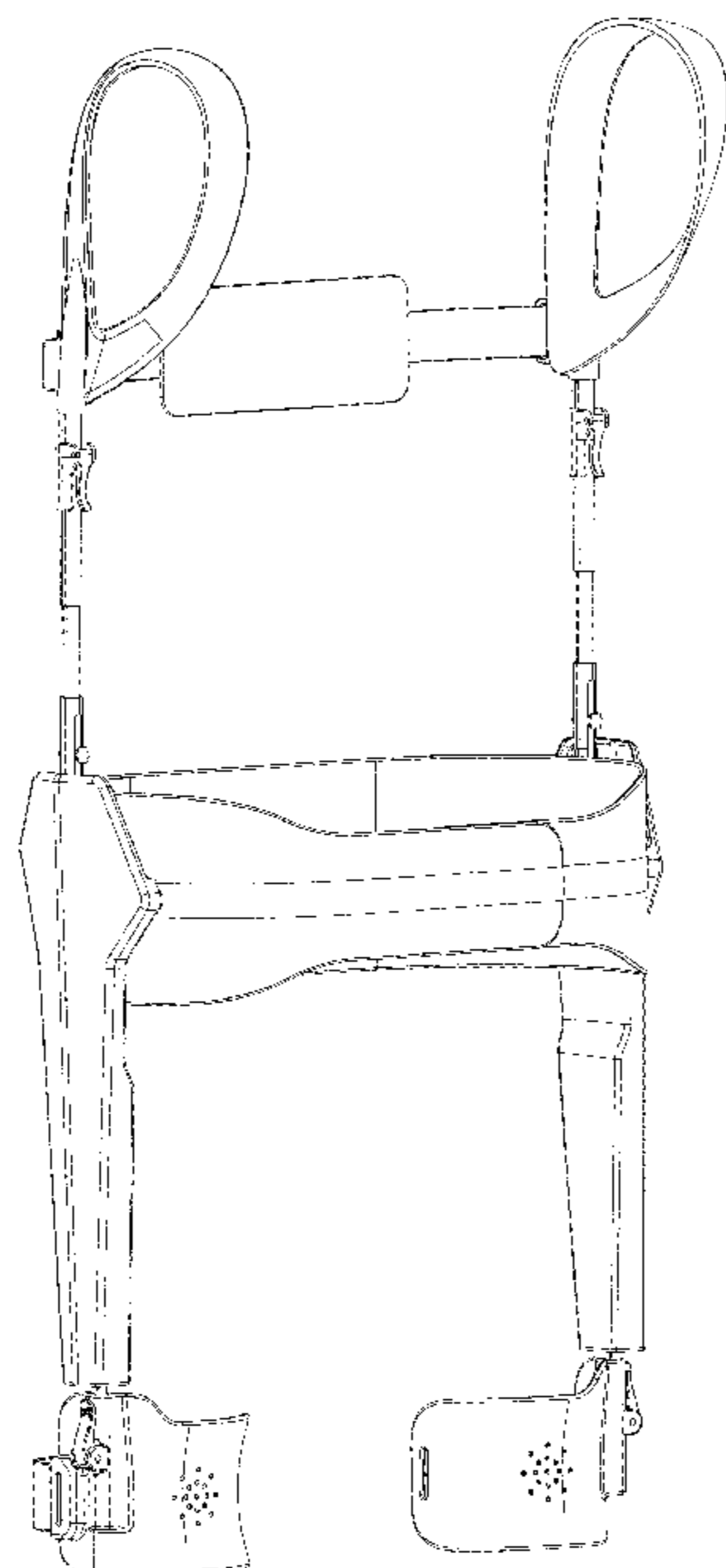
(57) **CLAIM**

I claim the ornamental design for a belt system for spine and waist support, as shown and described.

DESCRIPTION

FIG. 1 is a perspective view of a belt system for spine and waist support showing Applicant's new design;
FIG. 2 is a front view of the belt system for spine and waist support;
FIG. 3 is a right side view of the belt system for spine and waist support;
FIG. 4 is a bottom view of the belt system for spine and waist support;
FIG. 5 is a top view of the belt system for spine and waist support; and,
FIG. 6 is a rear view of the belt system for spine and waist support.

1 Claim, 4 Drawing Sheets



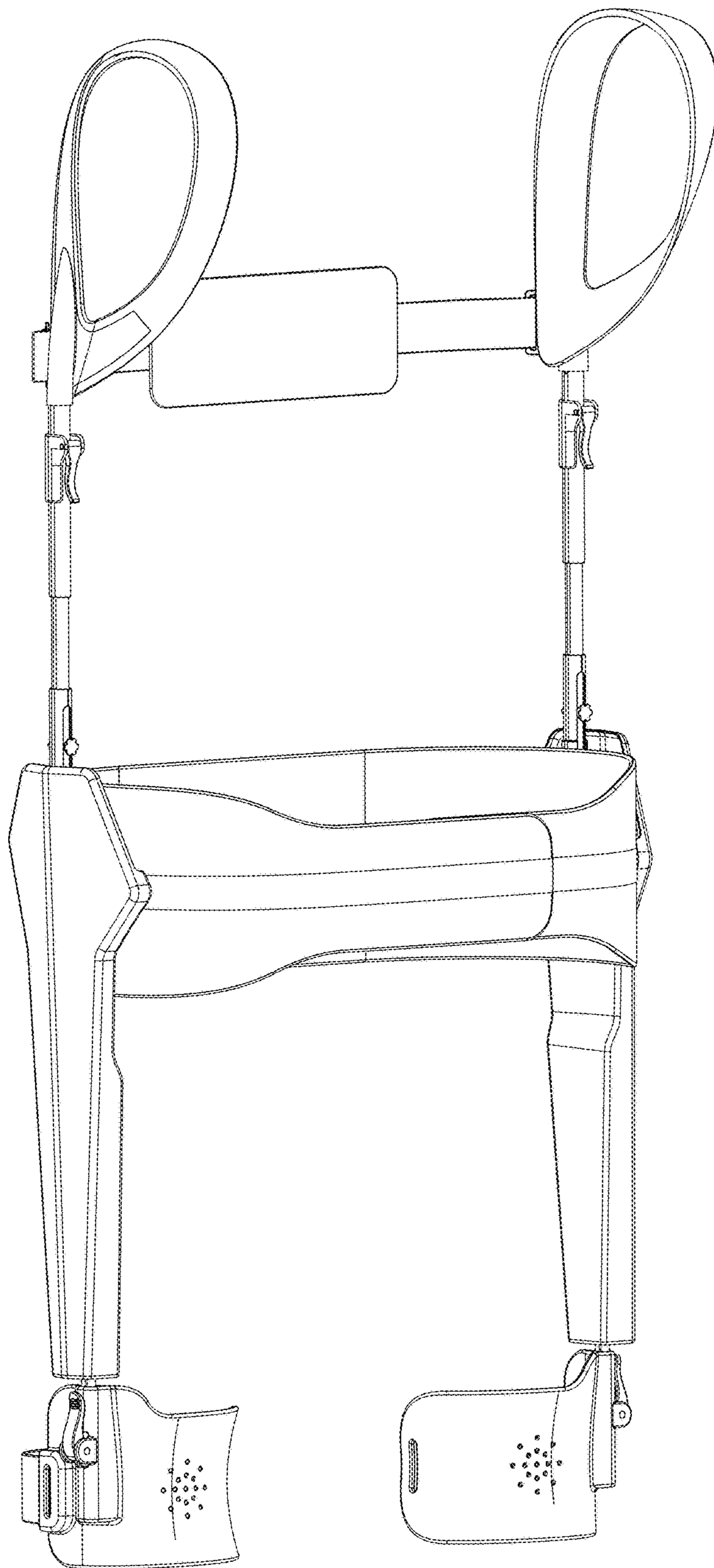


FIG. 1

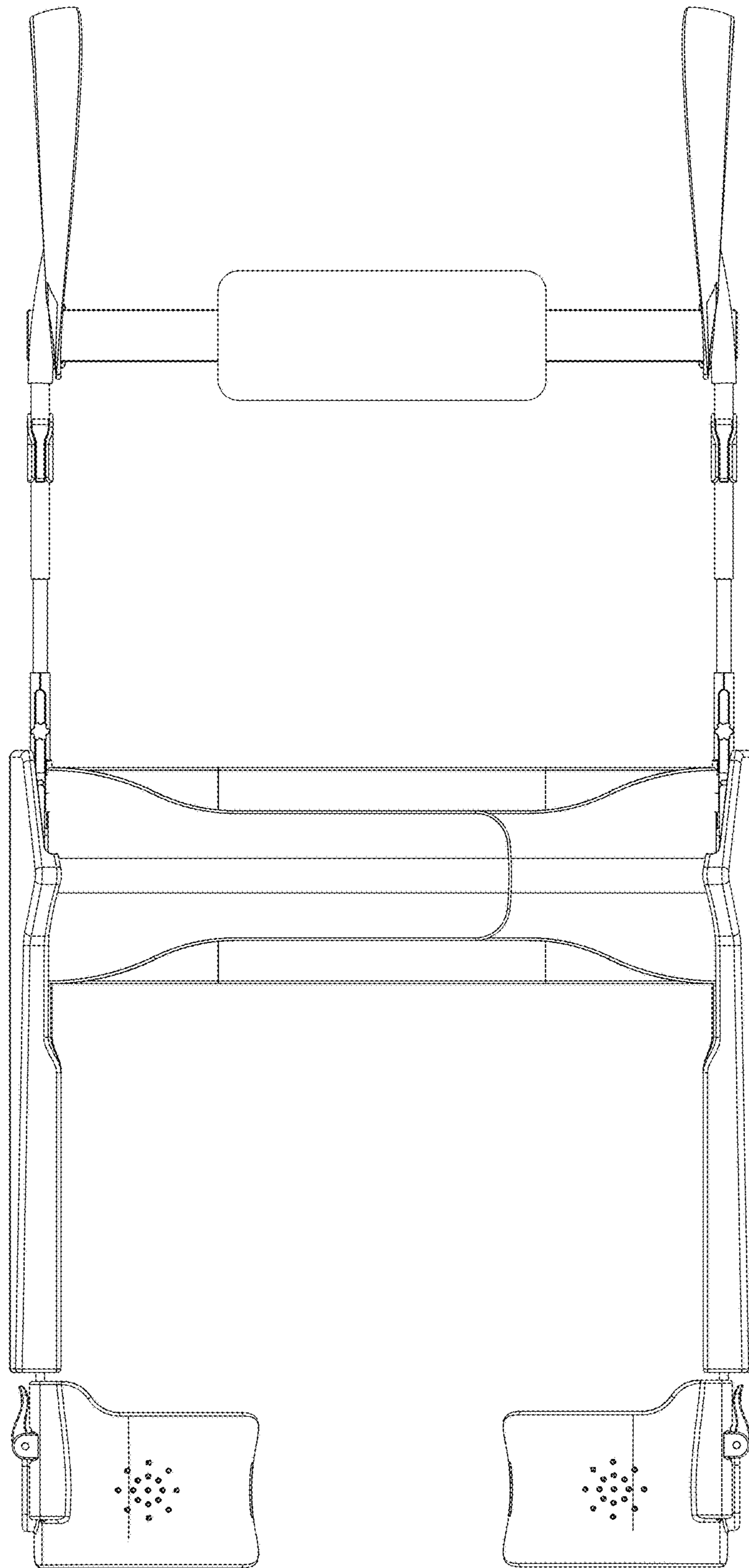


FIG. 2

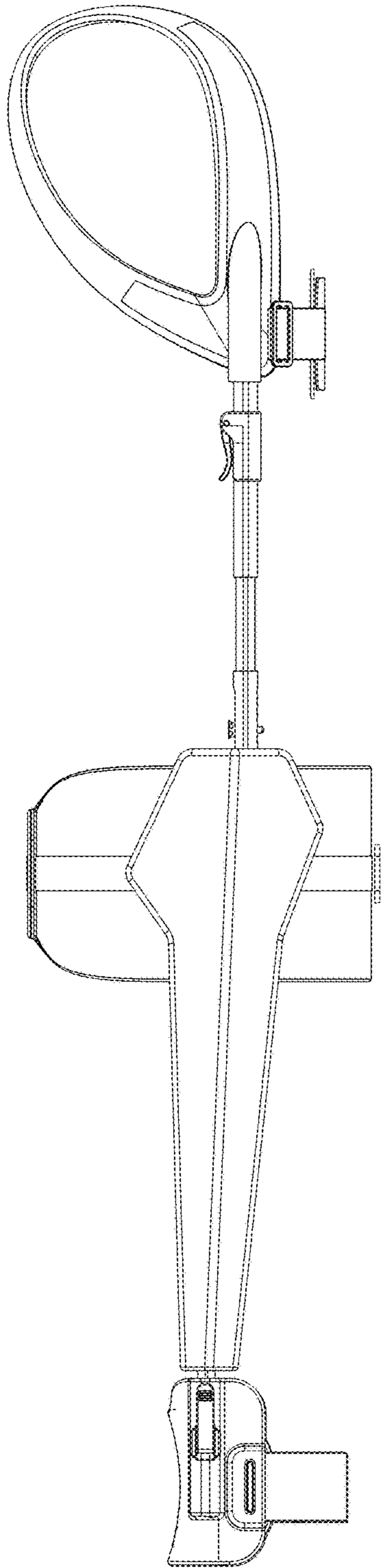


FIG. 3

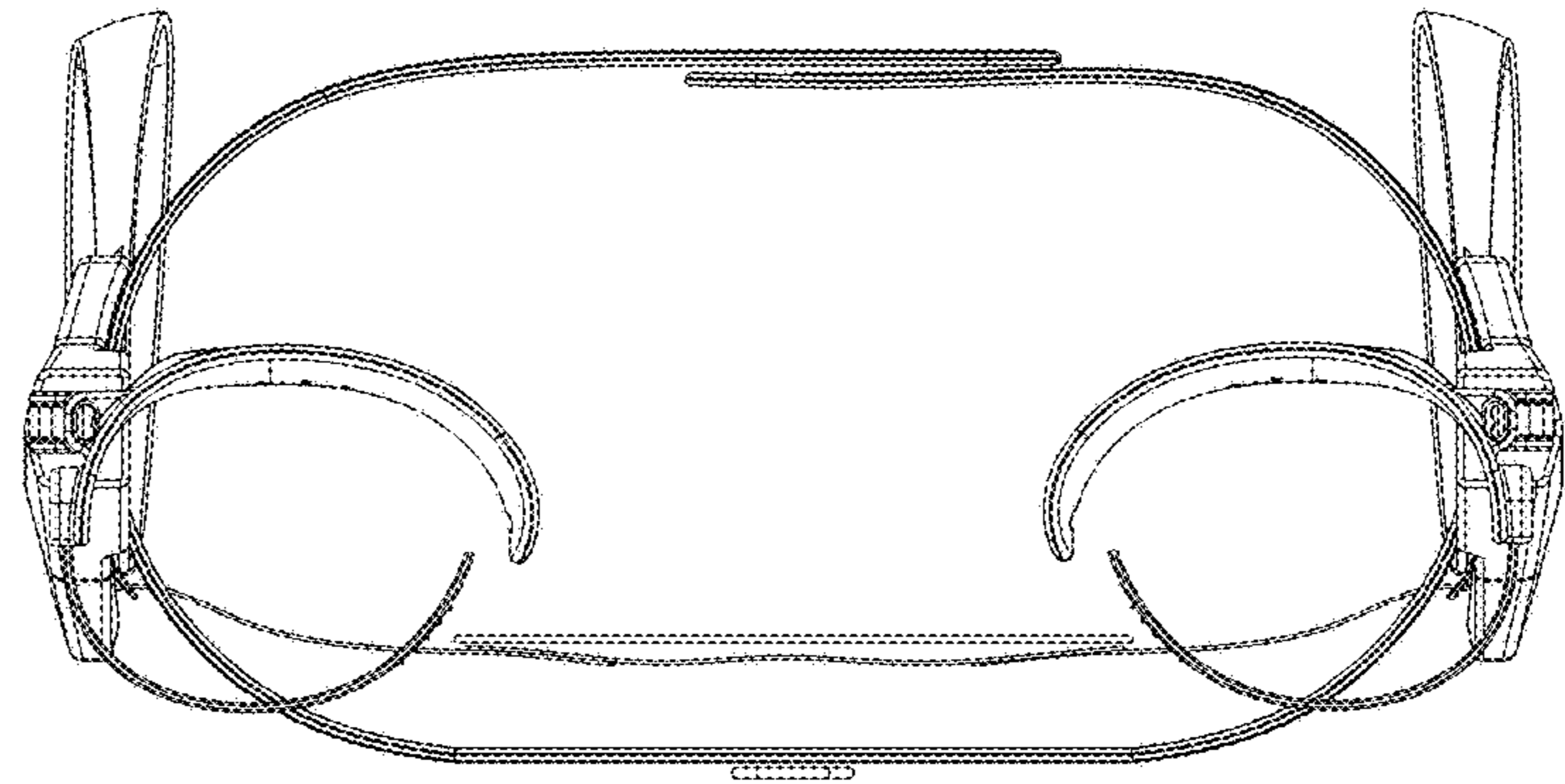


FIG. 4

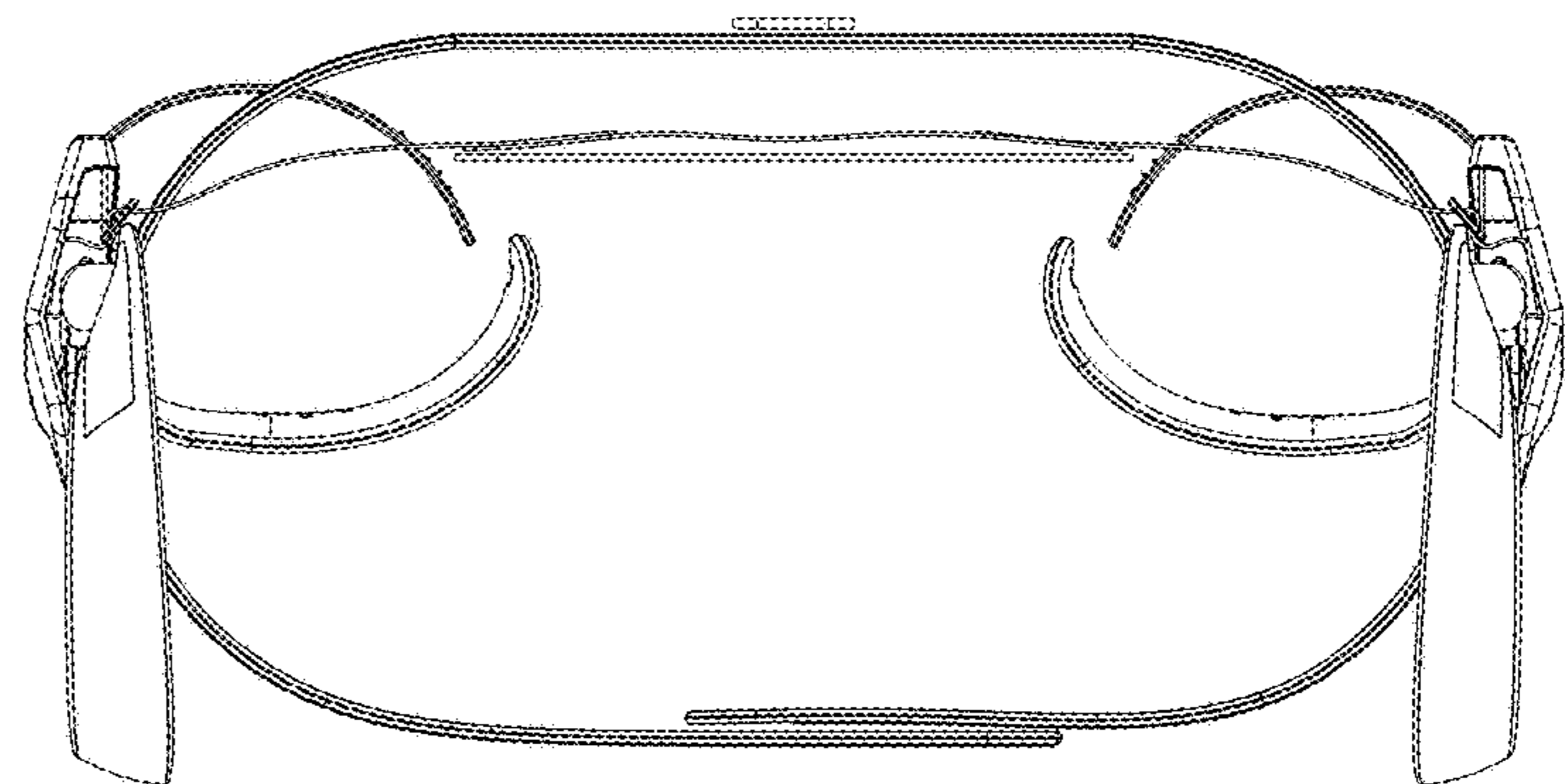


FIG. 5

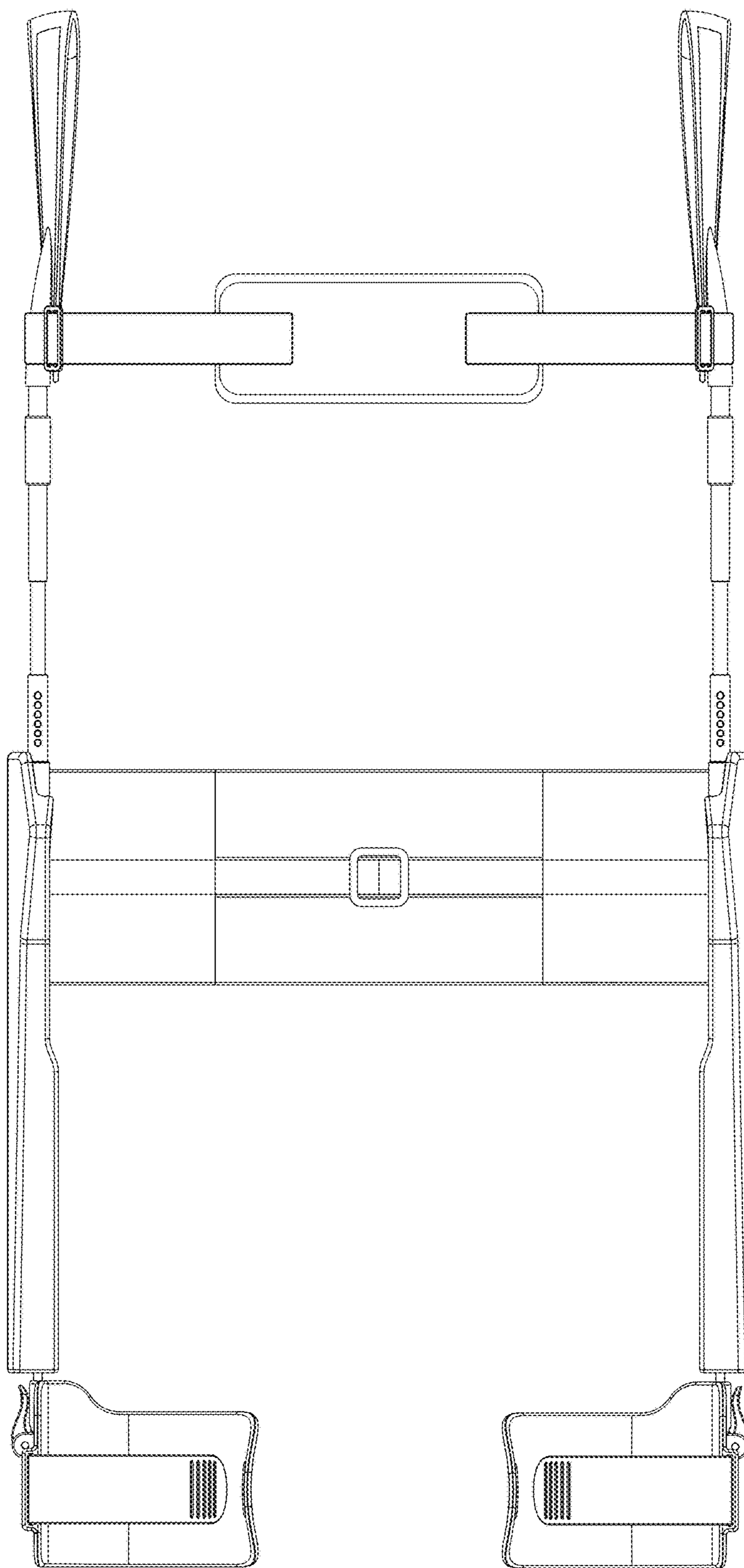


FIG. 6