



US00D784539S

(12) **United States Design Patent**  
**Falkenberg**

(10) **Patent No.:** **US D784,539 S**

(45) **Date of Patent:** **\*\* Apr. 18, 2017**

- (54) **VOICE PROSTHESIS**
- (71) Applicant: **Atos Medical AB**, Horby (SE)
- (72) Inventor: **Richard Falkenberg**, Horby (SE)
- (73) Assignee: **Atos Medical AB** (SE)
- (\*\*) Term: **15 Years**
- (21) Appl. No.: **29/531,438**
- (22) Filed: **Jun. 25, 2015**
- (51) **LOC (10) Cl.** ..... **24-02**
- (52) **U.S. Cl.**  
USPC ..... **D24/155**
- (58) **Field of Classification Search**  
USPC ..... D24/155  
CPC ..... A61M 16/0465; A61M 16/0472; A61M  
16/0497  
See application file for complete search history.

- 5,578,083 A \* 11/1996 Laguette ..... A61F 2/203  
137/855
- 5,919,231 A \* 7/1999 Blom ..... A61F 2/186  
604/11
- D735,335 S \* 7/2015 Persson ..... D24/155
- 2004/0187941 A1 \* 9/2004 Seder ..... A61F 2/203  
137/855

\* cited by examiner

*Primary Examiner* — Charles Hanson

(74) *Attorney, Agent, or Firm* — Fishman Stewart PLLC

(57) **CLAIM**

The ornamental design for a voice prosthesis, as shown and described.

**DESCRIPTION**

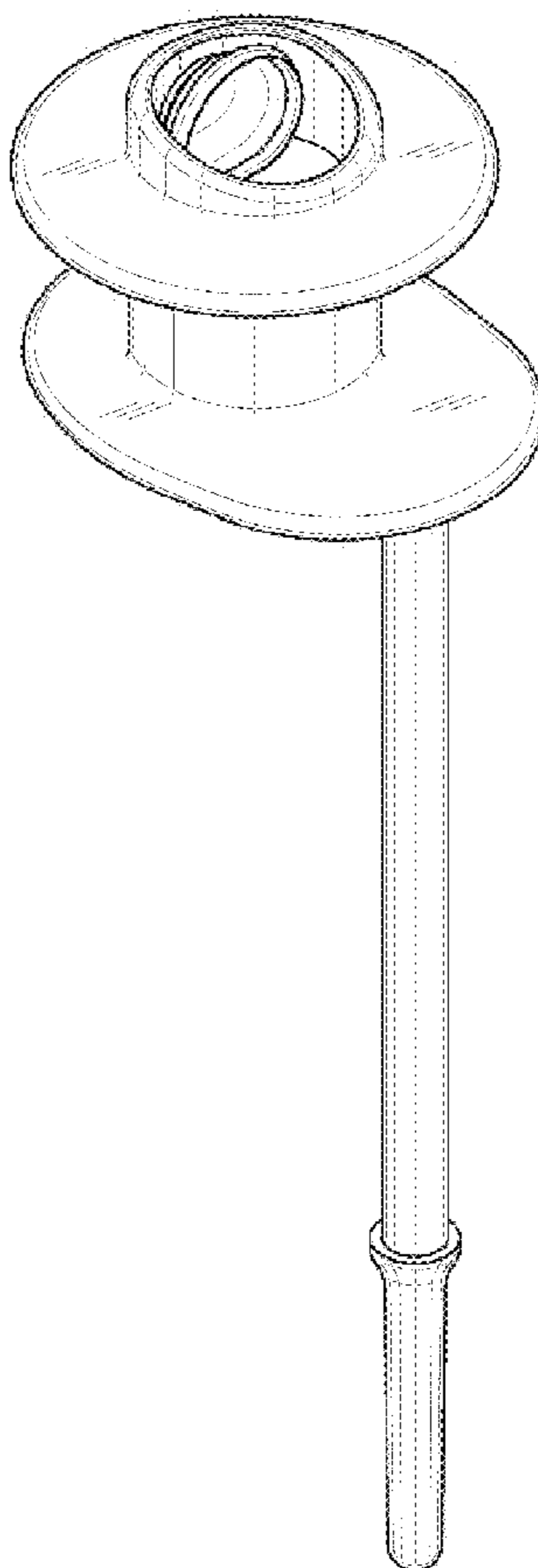
FIG. 1 is a perspective view of a voice prosthesis;  
FIG. 2 is a front view of a voice prosthesis;  
FIG. 3 is a rear view of a voice prosthesis;  
FIG. 4 is a top view of a voice prosthesis;  
FIG. 5 is a bottom view of a voice prosthesis;  
FIG. 6 is a left side view of a voice prosthesis; and,  
FIG. 7 is a right side view of a voice prosthesis.  
Portions of the figures shown in dashed lines are for illustrative purposes only and form no part of the claimed design.

**1 Claim, 4 Drawing Sheets**

(56) **References Cited**

U.S. PATENT DOCUMENTS

- D324,913 S \* 3/1992 Chojar ..... D24/151
- D335,349 S \* 5/1993 Lyon ..... D24/151
- 5,480,432 A \* 1/1996 Suding ..... A61F 2/203  
128/207.16



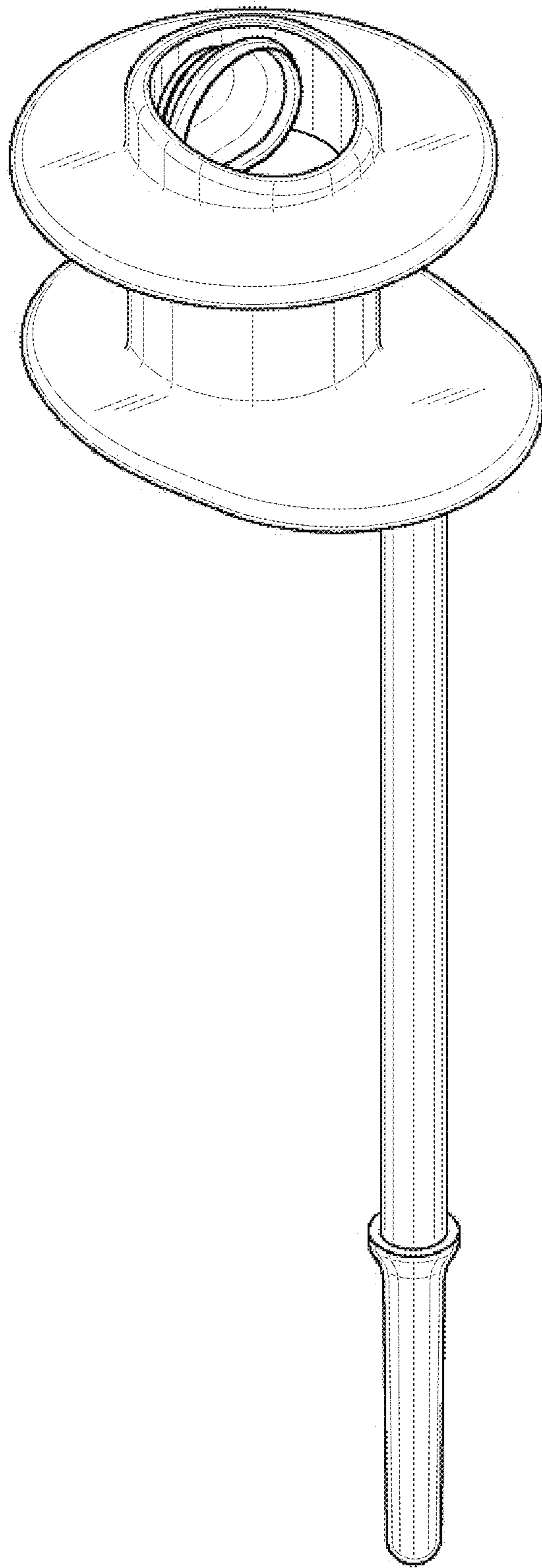


FIG. 1

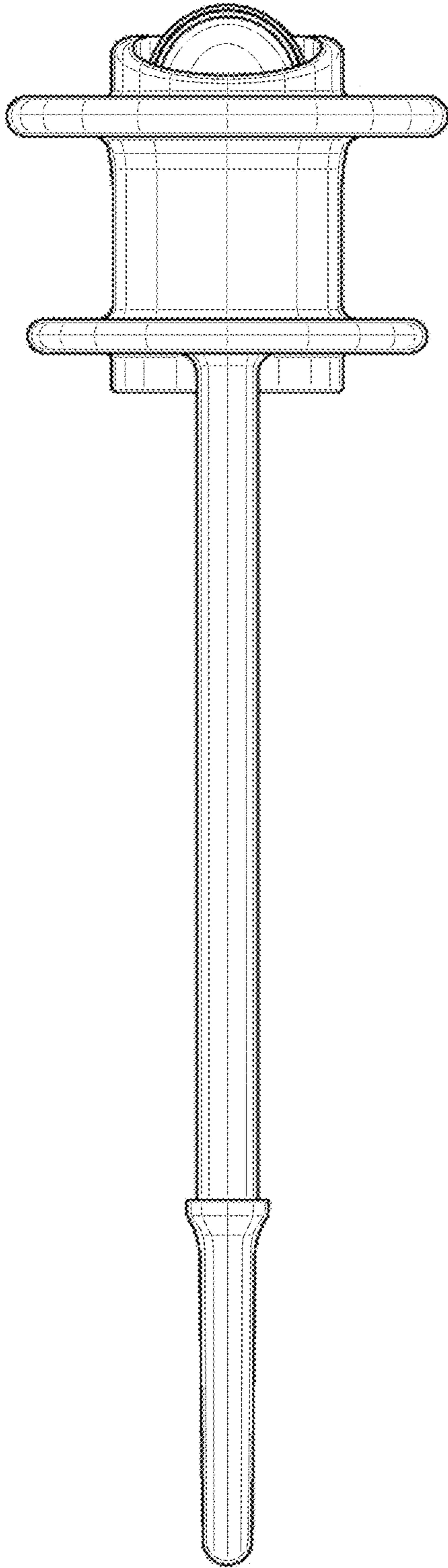


FIG. 2

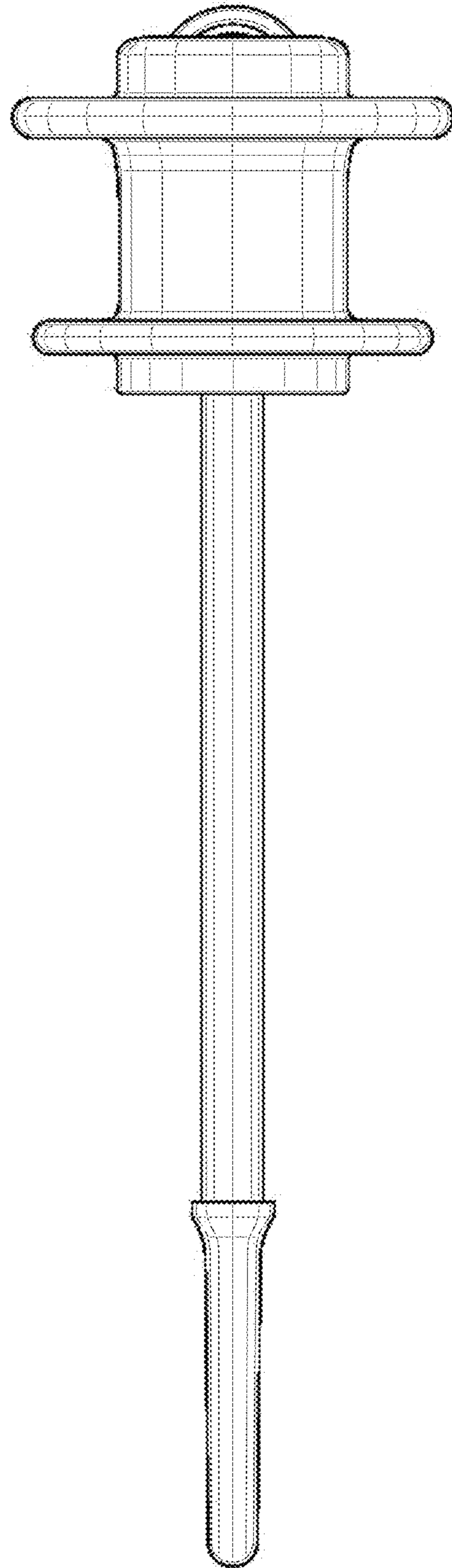


FIG. 3

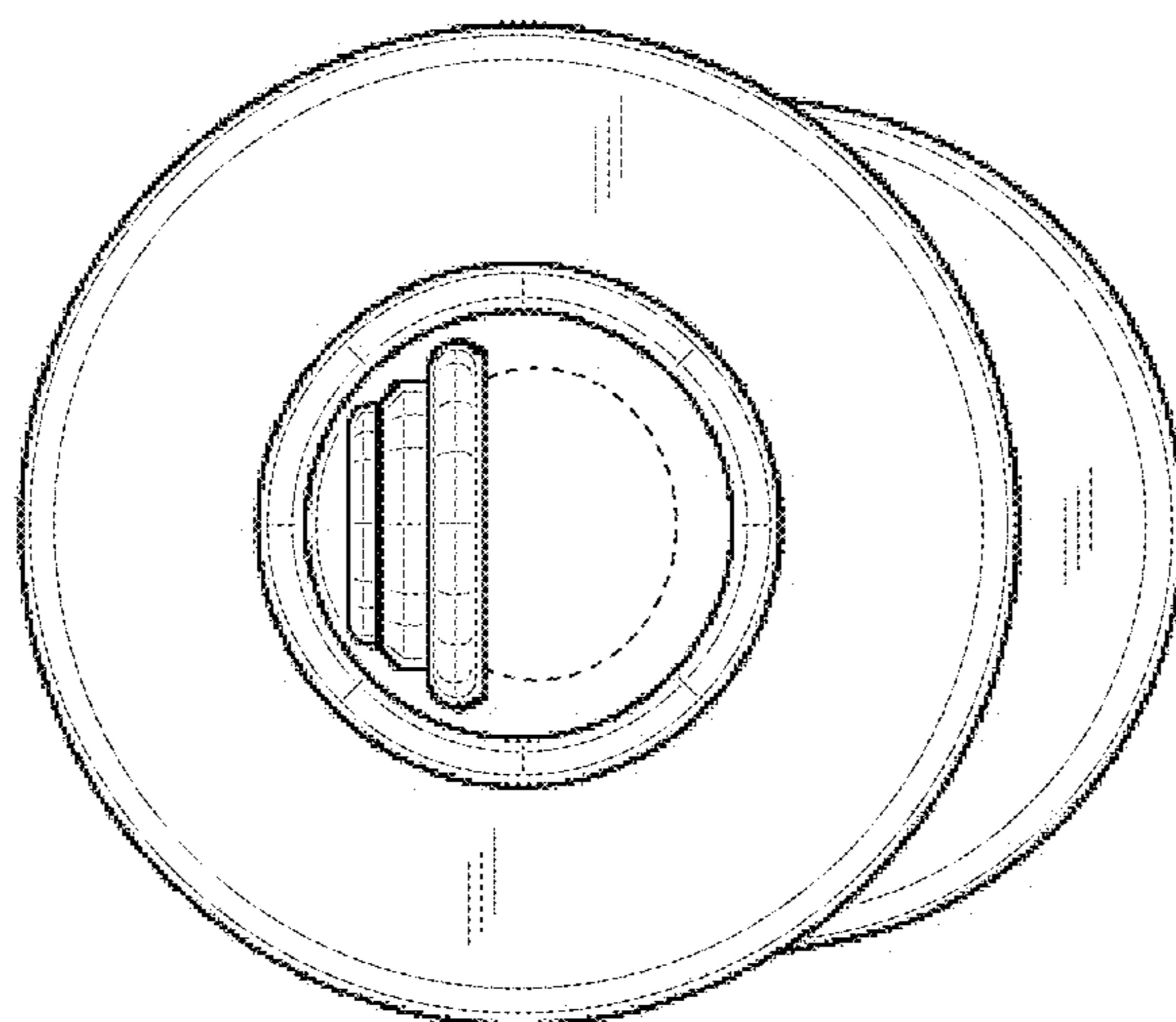


FIG. 4

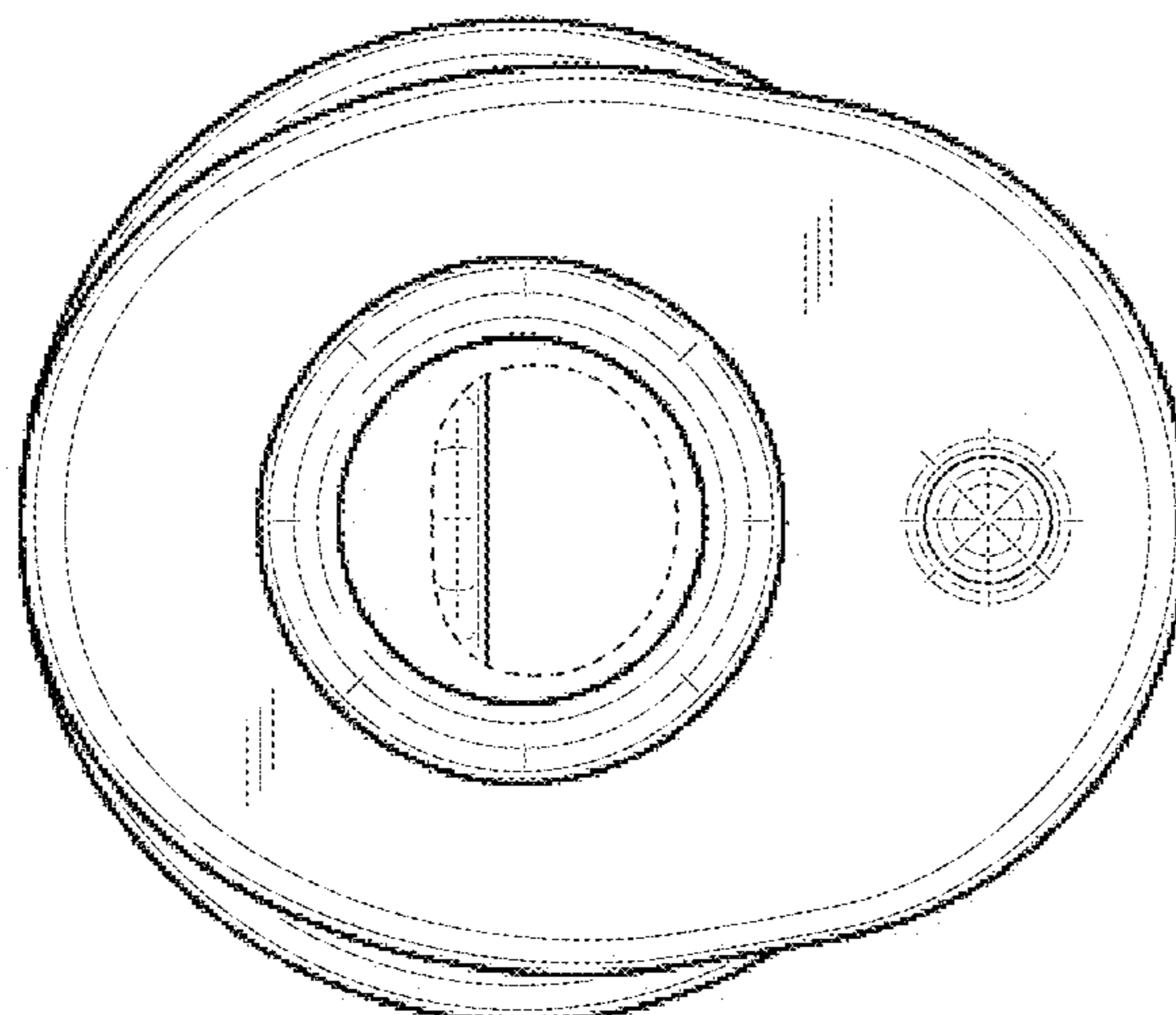


FIG. 5



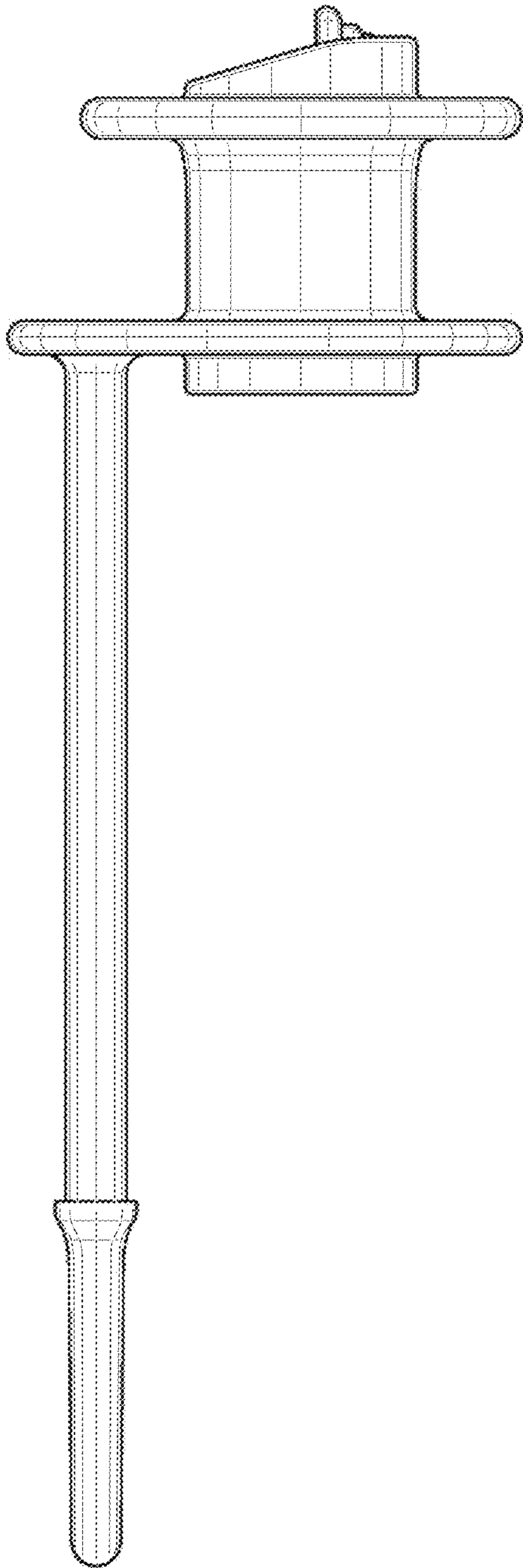


FIG. 6

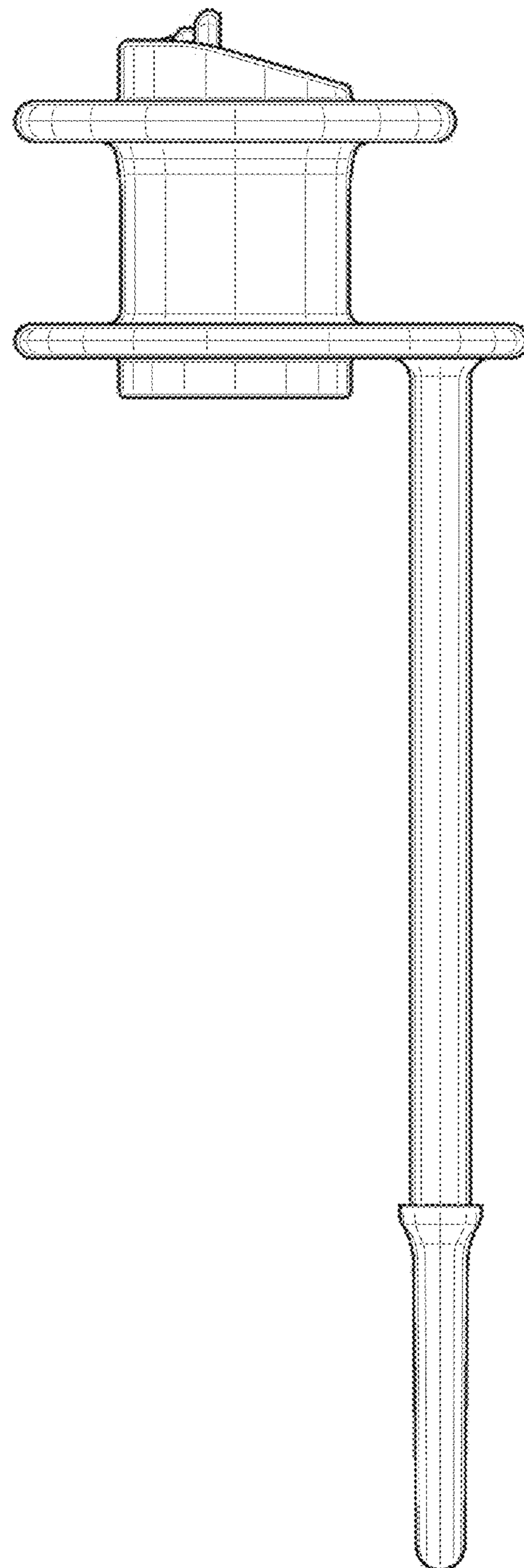


FIG. 7

UNITED STATES PATENT AND TRADEMARK OFFICE  
**CERTIFICATE OF CORRECTION**

PATENT NO. : D784,539 S  
APPLICATION NO. : 29/531438  
DATED : April 18, 2017  
INVENTOR(S) : Richard Falkenberg

Page 1 of 1

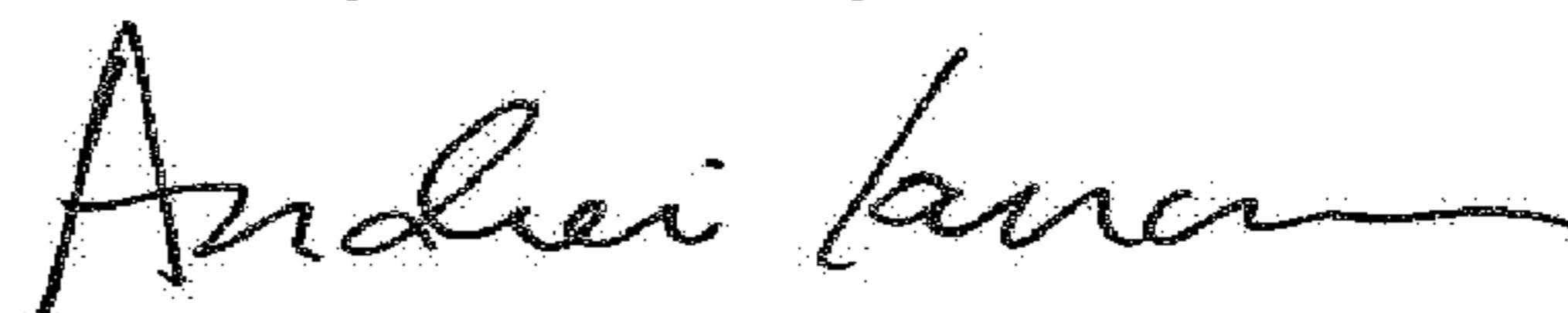
It is certified that error appears in the above-identified patent and that said Letters Patent is hereby corrected as shown below:

On the Title Page

The Foreign Application Priority Data is missing. Please add the missing priority information as follows:

June 25, 2015 (EM) ..... 002725689

Signed and Sealed this  
Twenty-sixth Day of June, 2018



Andrei Iancu  
*Director of the United States Patent and Trademark Office*