



US00D784538S

(12) **United States Design Patent**  
**Georgi et al.**

(10) **Patent No.:** **US D784,538 S**

(45) **Date of Patent:** **\*\* Apr. 18, 2017**

(54) **TONGUE VACUUM CLEANER**  
(71) Applicant: **MediNova AG**, Karlsruhe (DE)  
(72) Inventors: **Matthias Georgi**, Lauf (DE);  
**Christoph Geiberger**, Lohmar (DE)  
(73) Assignee: **TSPRO GMBH**, Karlsruhe (DE)  
(\*\*) Term: **15 Years**

D538,929 S \* 3/2007 Chuang ..... D24/112  
7,273,327 B2 \* 9/2007 Hohlbein ..... A61B 17/244  
401/132  
8,523,888 B2 \* 9/2013 Gatzemeyer ..... A46B 15/0055  
15/110  
D714,441 S \* 9/2014 Lowsky ..... D24/152  
D742,006 S \* 10/2015 Ripich ..... D24/147  
9,326,644 B2 \* 5/2016 Makar ..... A47K 7/028  
9,339,359 B2 \* 5/2016 Fritze ..... A46B 9/005

\* cited by examiner

(21) Appl. No.: **29/529,256**  
(22) Filed: **Jun. 4, 2015**

*Primary Examiner* — Ian Simmons  
*Assistant Examiner* — Samantha Q Lawrence  
(74) *Attorney, Agent, or Firm* — Artegis Law Group, LLP

(30) **Foreign Application Priority Data**

Dec. 5, 2014 (EM) ..... 002591693

(51) **LOC (10) Cl.** ..... **24-02**  
(52) **U.S. Cl.**  
USPC ..... **D24/146**

(58) **Field of Classification Search**  
USPC ..... D24/112, 146, 147, 111, 152, 176, 113;  
401/132, 282; 606/161; 15/110, 111,  
15/187, 188  
See application file for complete search history.

(56) **References Cited**

**U.S. PATENT DOCUMENTS**

D392,386 S \* 3/1998 Nguyen ..... D24/147  
5,792,159 A \* 8/1998 Amin ..... A61B 17/244  
15/236.06  
5,984,935 A \* 11/1999 Welt ..... A61B 17/244  
606/161  
D420,742 S \* 2/2000 Noble ..... D24/146  
6,440,149 B1 \* 8/2002 Potti ..... A61B 17/244  
606/161  
D527,821 S \* 9/2006 Cwik ..... D24/147

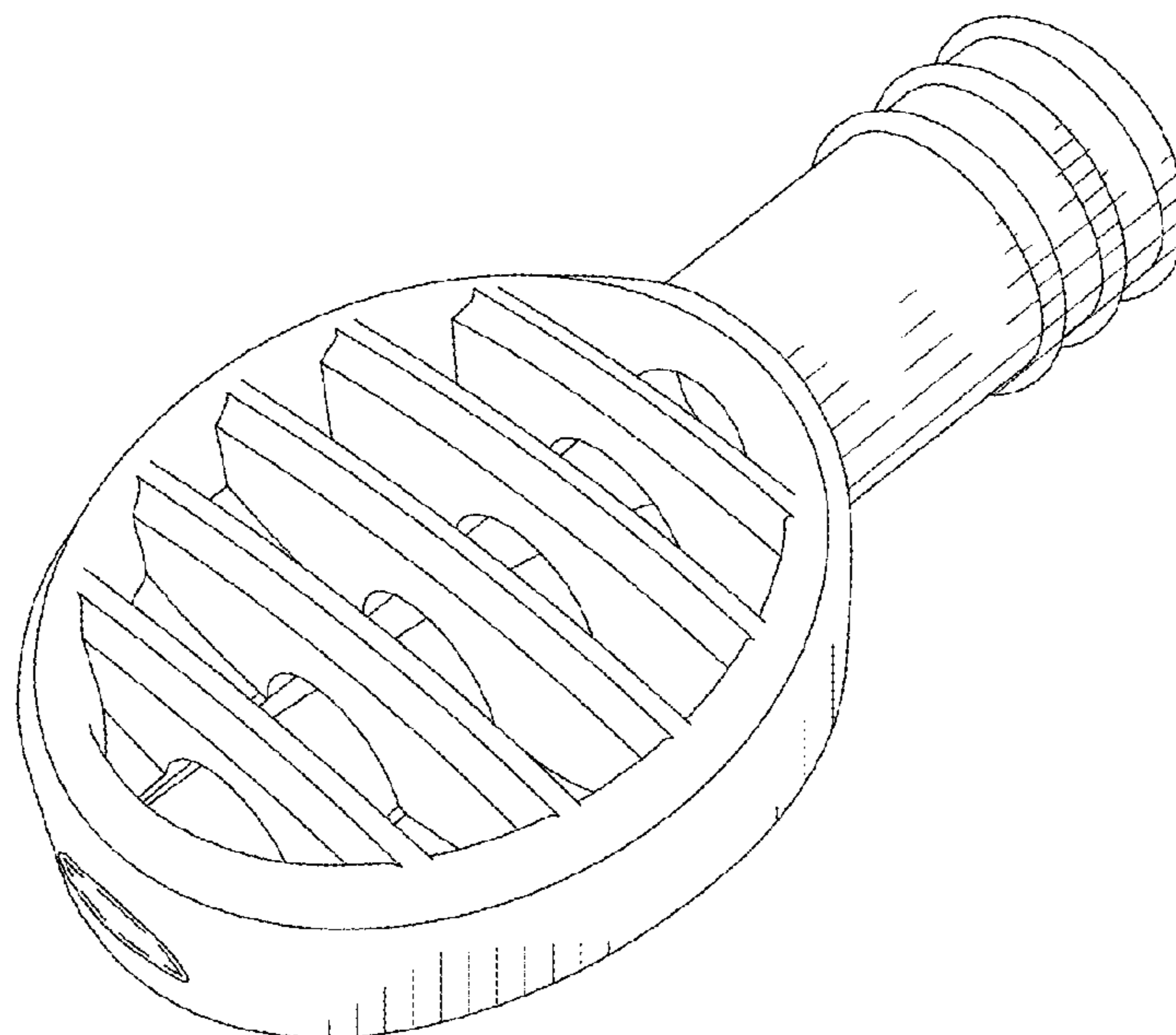
(57) **CLAIM**

An ornamental design for a tongue vacuum cleaner, as shown and described.

**DESCRIPTION**

FIG. 1 is a top perspective view of a tongue vacuum cleaner showing the new design.  
FIG. 2 is a front view thereof.  
FIG. 3 is a bottom perspective view thereof.  
FIG. 4 is top view thereof.  
FIG. 5 is a left view thereof, the right view thereof being a mirror image of the left view thereof.  
FIG. 6 is a bottom view thereof; and,  
FIG. 7 is a rear view thereof.  
The broken lines shown in FIG. 2 illustrates portions of the tongue vacuum cleaner that form no part of the claimed design. The boundary lines shown in FIGS. 1, 3, and 7 illustrate boundaries that form no part of the claimed design.

**1 Claim, 4 Drawing Sheets**



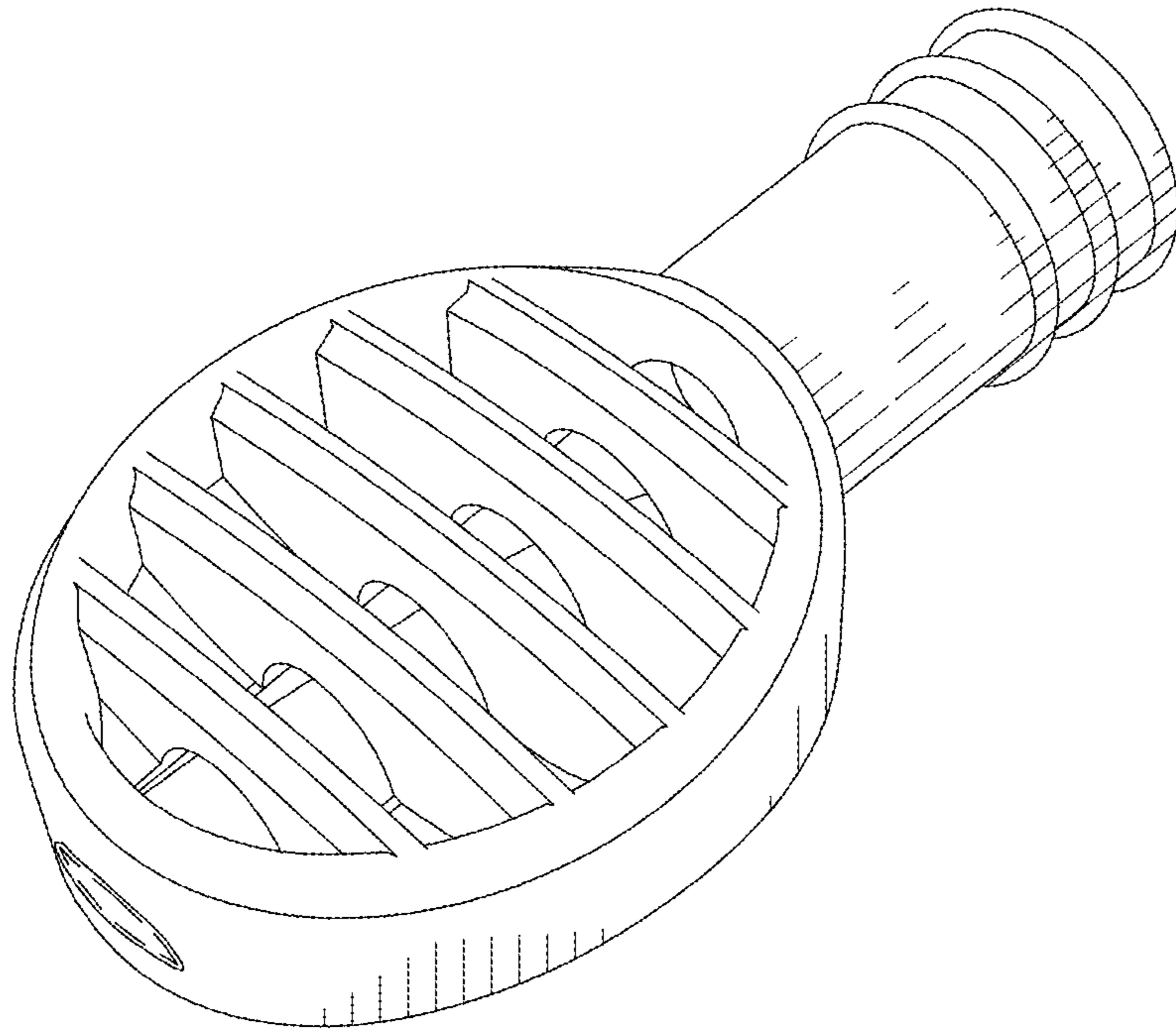


FIG. 1

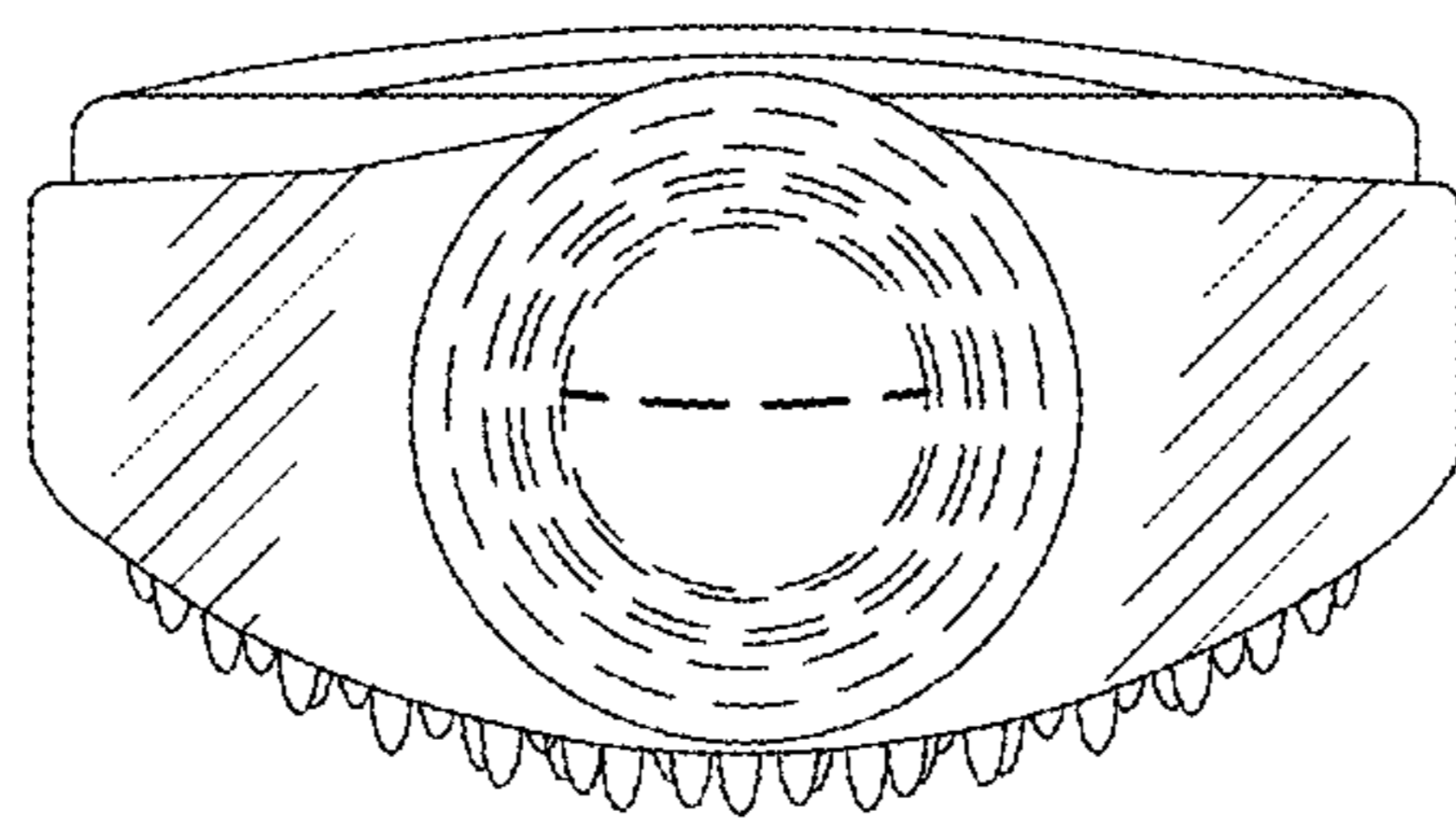


FIG. 2

FIG. 3

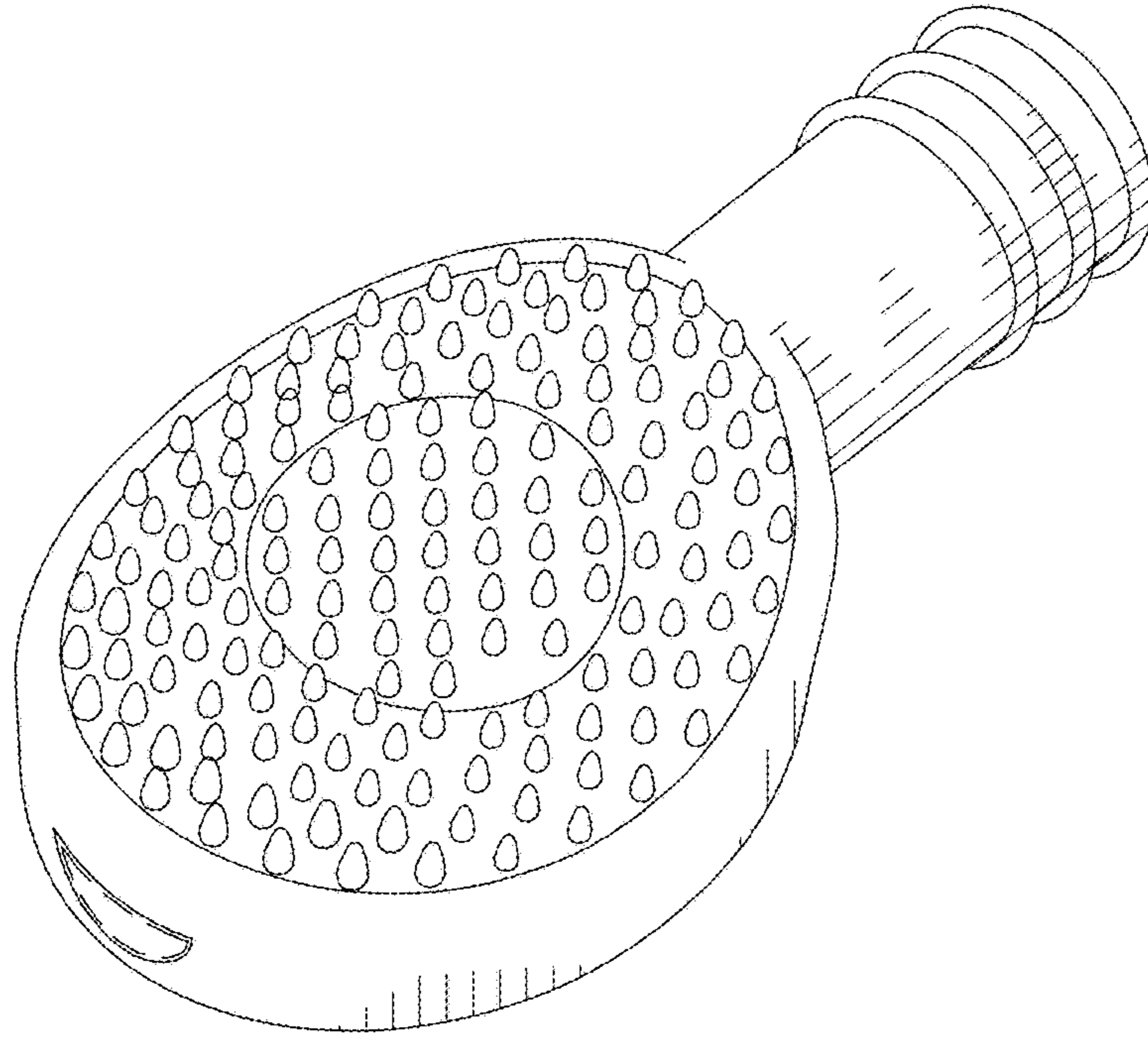
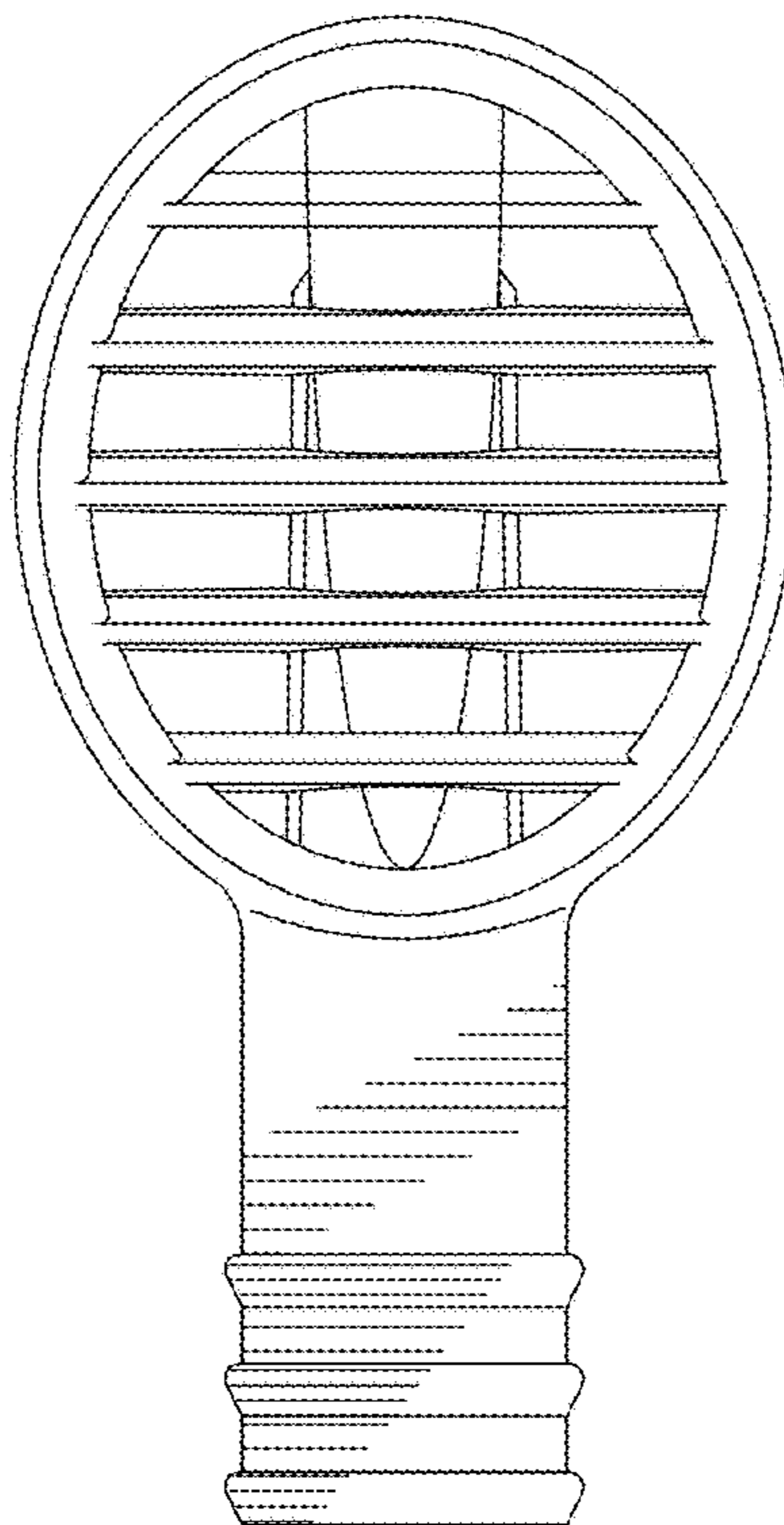


FIG. 4



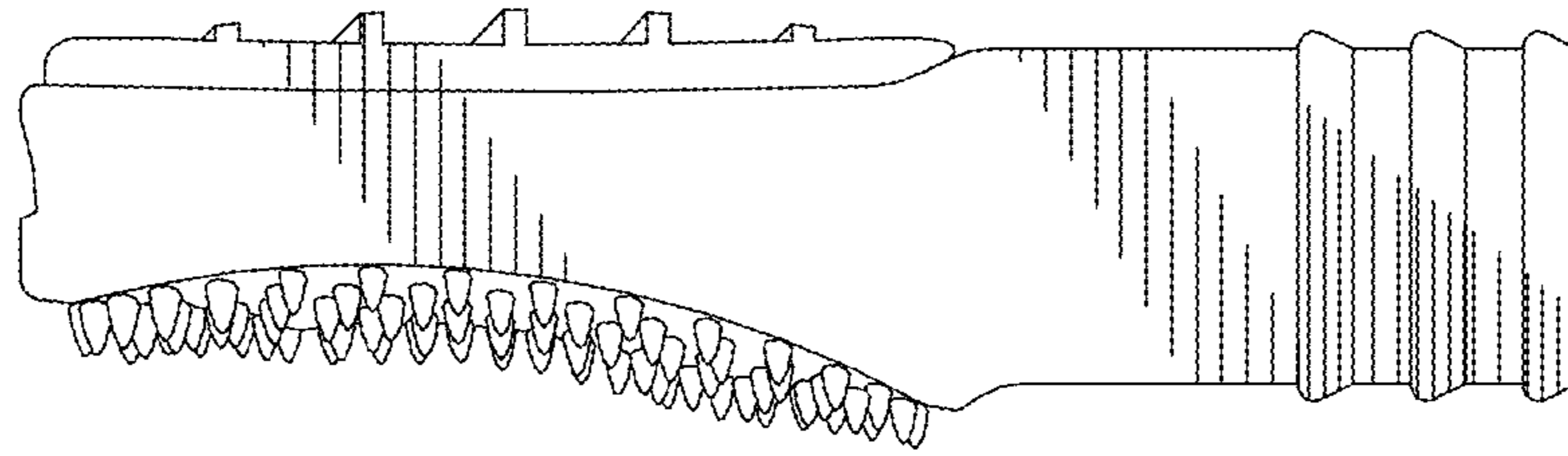


FIG. 5

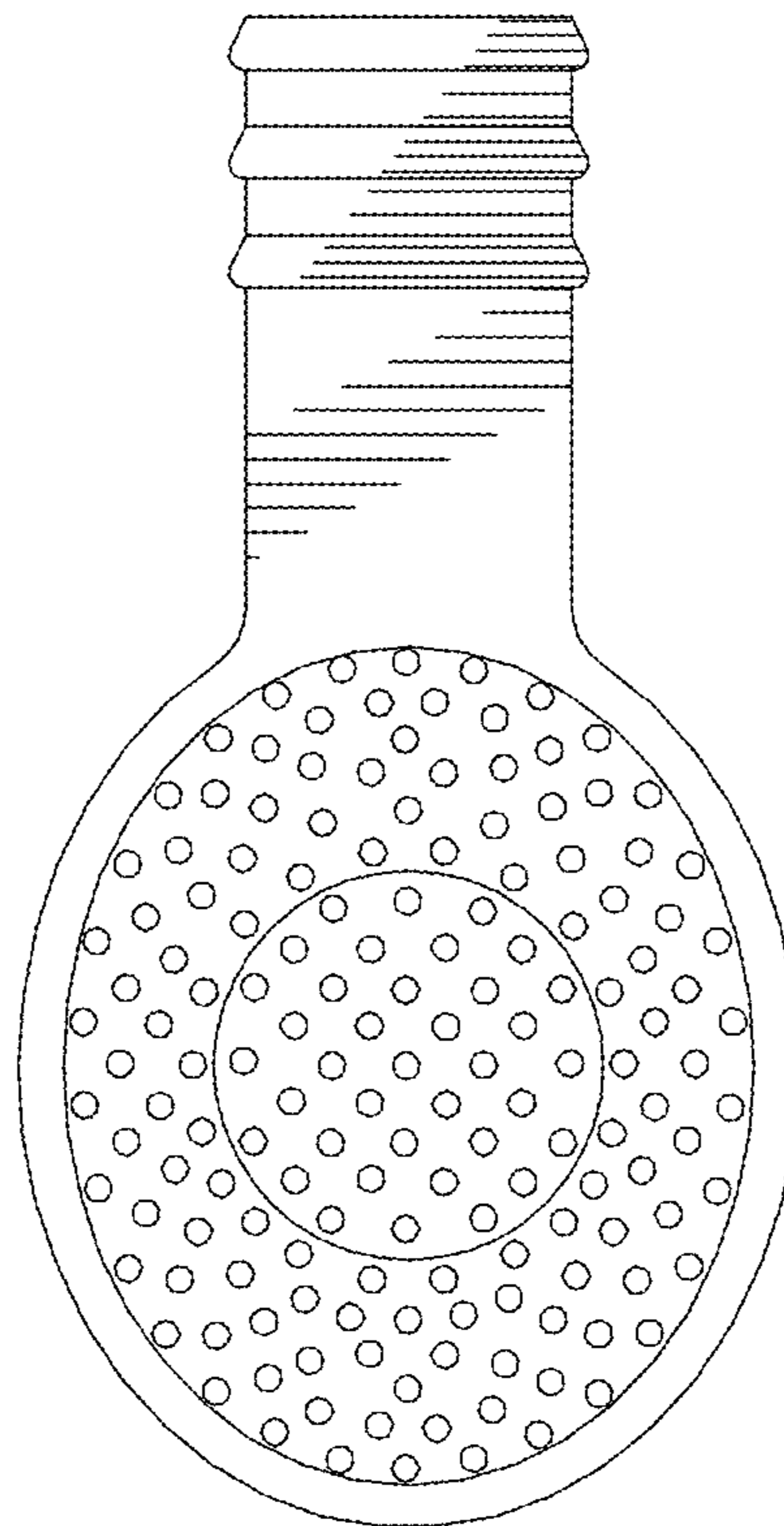


FIG. 6



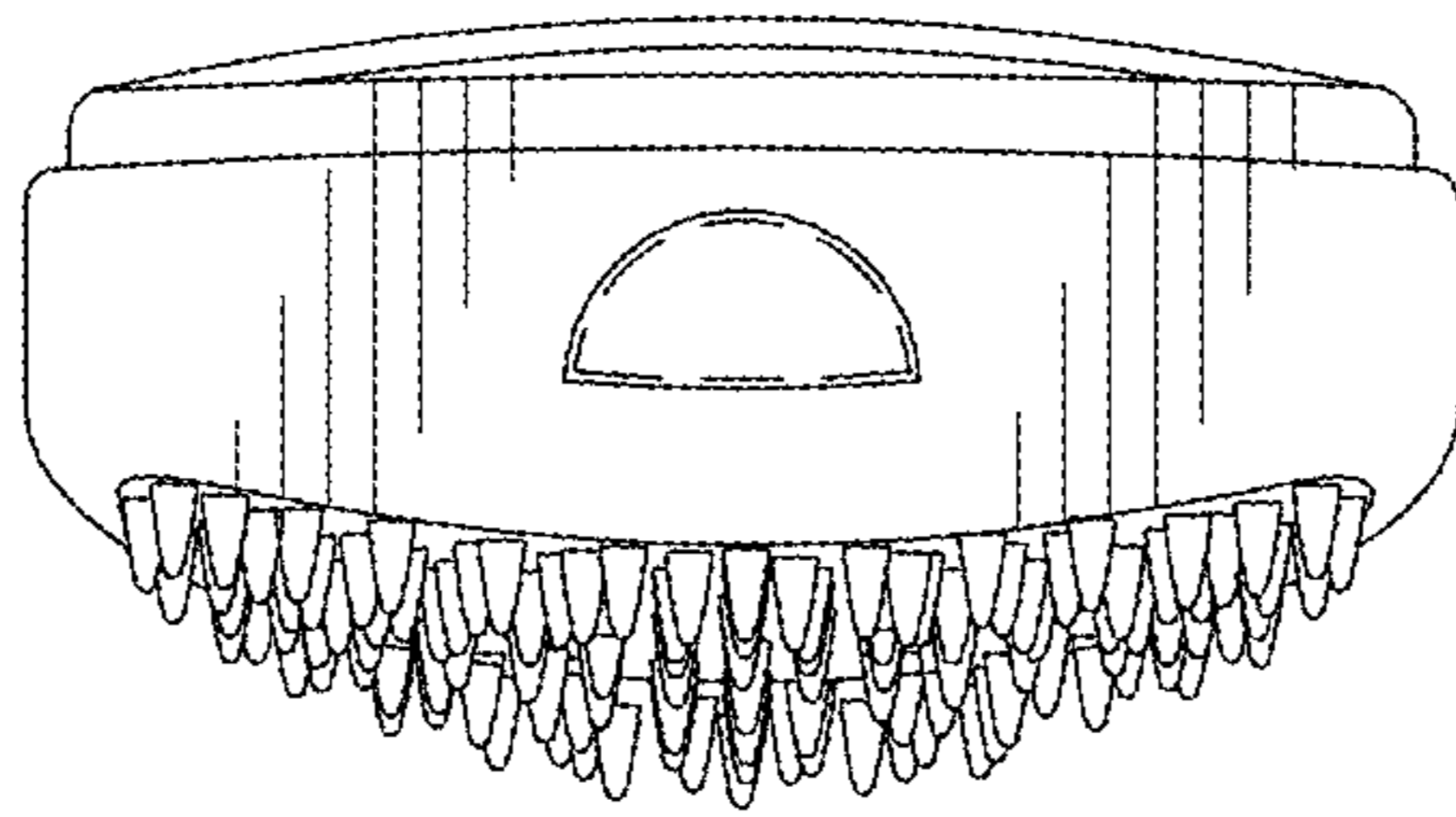


FIG. 7