



US00D784535S

(12) **United States Design Patent** (10) **Patent No.:** **US D784,535 S**  
**Osada et al.** (45) **Date of Patent:** **\*\* Apr. 18, 2017**

(54) **BODY OF A CAMERA FOR MEDICAL USE**

(71) Applicant: **OLYMPUS CORPORATION**, Tokyo (JP)

(72) Inventors: **Reisuke Osada**, Tokyo (JP); **Yasuo Funakoshi**, Tokyo (JP)

(73) Assignee: **OLYMPUS CORPORATION**, Tokyo (JP)

(\*\*) Term: **15 Years**

(21) Appl. No.: **29/567,372**

(22) Filed: **Jun. 8, 2016**

**Related U.S. Application Data**

(62) Division of application No. 29/531,116, filed on Jun. 23, 2015, now Pat. No. Des. 771,252.

(51) **LOC (10) Cl.** ..... **24-02**

(52) **U.S. Cl.**  
USPC ..... **D24/138**; D16/219

(58) **Field of Classification Search**  
USPC ..... D24/133, 137, 138, 222, 141, 108, 111, D24/113, 127, 143, 148, 179, 216, 152, D24/153, 154, 176; D8/4, 29.1, 29.2, 30, D8/31, 39; D16/200, 206, 216, 219  
CPC ..... A61B 1/00128; A61B 1/018; A61B 17/320016; A61B 17/3423; A61B 1/00135; A61B 1/12; A61B 2017/00477; A61B 2017/347; A61B 17/00234; A61B 17/00491; A61B 1/00066; A61B 1/00133; A61B 1/00147

See application file for complete search history.

(56) **References Cited**

**U.S. PATENT DOCUMENTS**

D501,864 S \* 2/2005 Greise ..... D16/202  
D523,455 S \* 6/2006 Greise ..... D16/202

D587,804 S \* 3/2009 Ruiz ..... D16/202  
D607,032 S \* 12/2009 Halleck ..... D16/202  
D643,534 S \* 8/2011 Halleck ..... D16/202  
D651,312 S \* 12/2011 Halleck ..... D16/202  
D709,192 S \* 7/2014 Czapalla ..... D24/138  
D768,854 S \* 10/2016 Halleck ..... D24/138  
D771,252 S \* 11/2016 Osada ..... D24/138

(Continued)

*Primary Examiner* — Robert M Spear

*Assistant Examiner* — Eliza Bennett-Hattan

(74) *Attorney, Agent, or Firm* — Scully, Scott, Murphy & Presser, PC

(57) **CLAIM**

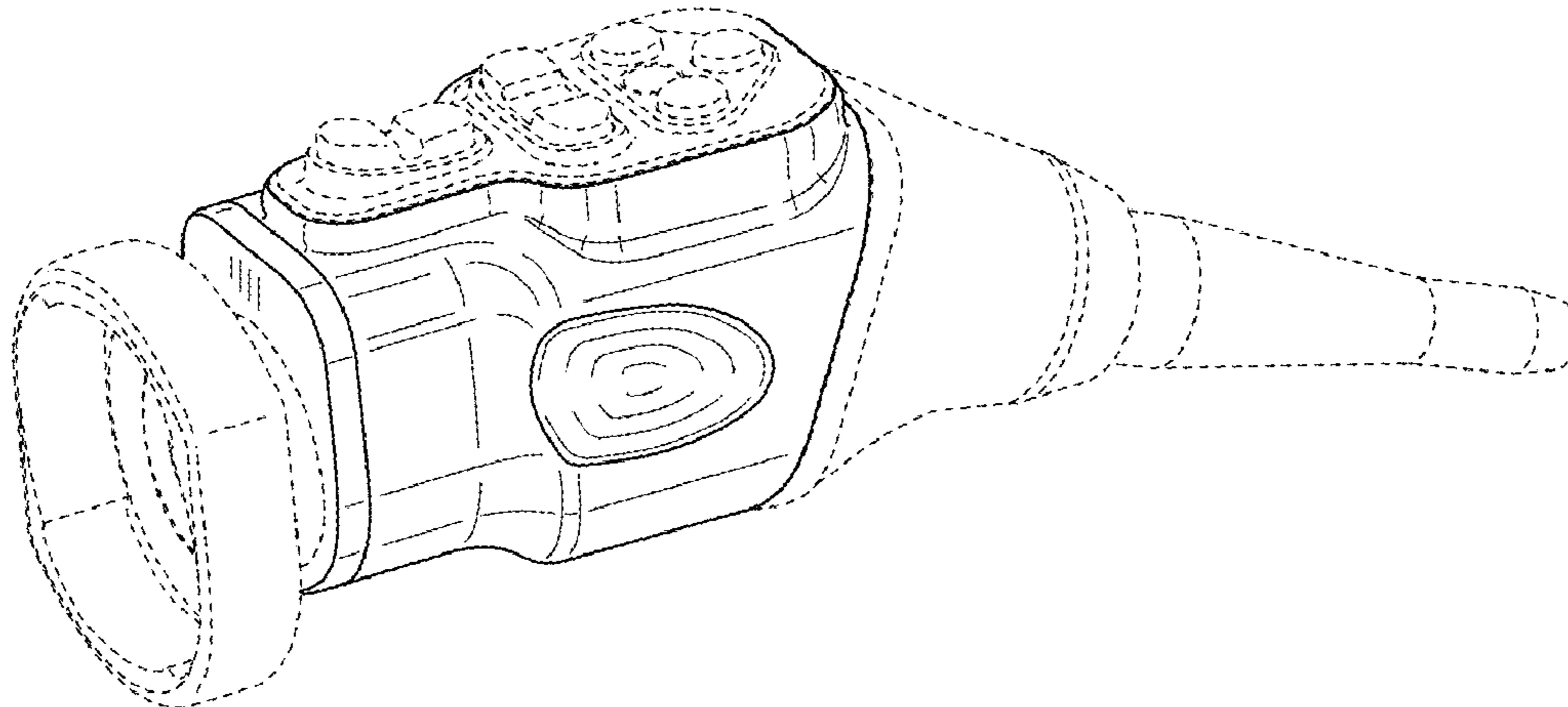
The ornamental design for a body of a camera for medical use, as shown and described.

**DESCRIPTION**

FIG. 1 is a perspective view of a body of a camera for medical use, showing our new design;  
FIG. 2 is a front view thereof;  
FIG. 3 is a rear view thereof;  
FIG. 4 is a top view thereof;  
FIG. 5 is a bottom view thereof;  
FIG. 6 is a left side view thereof;  
FIG. 7 is a right side view thereof;  
FIG. 8 is an enlarged end view thereof, taken along line 8-8 in FIG. 4 with its internal mechanisms omitted;  
FIG. 9 is an enlarged view of a portion 9 of FIG. 2; and,  
FIG. 10 is an end view taken along lines 10-10 of FIG. 9 with its internal mechanisms omitted, to better illustrate the contour thereof.

The evenly segmented broken lines indicate portions of the article that from no part of the claimed design. The dash dot dash broken lines indicate cutoff boundaries for enlarged detailed portion views.

**1 Claim, 4 Drawing Sheets**



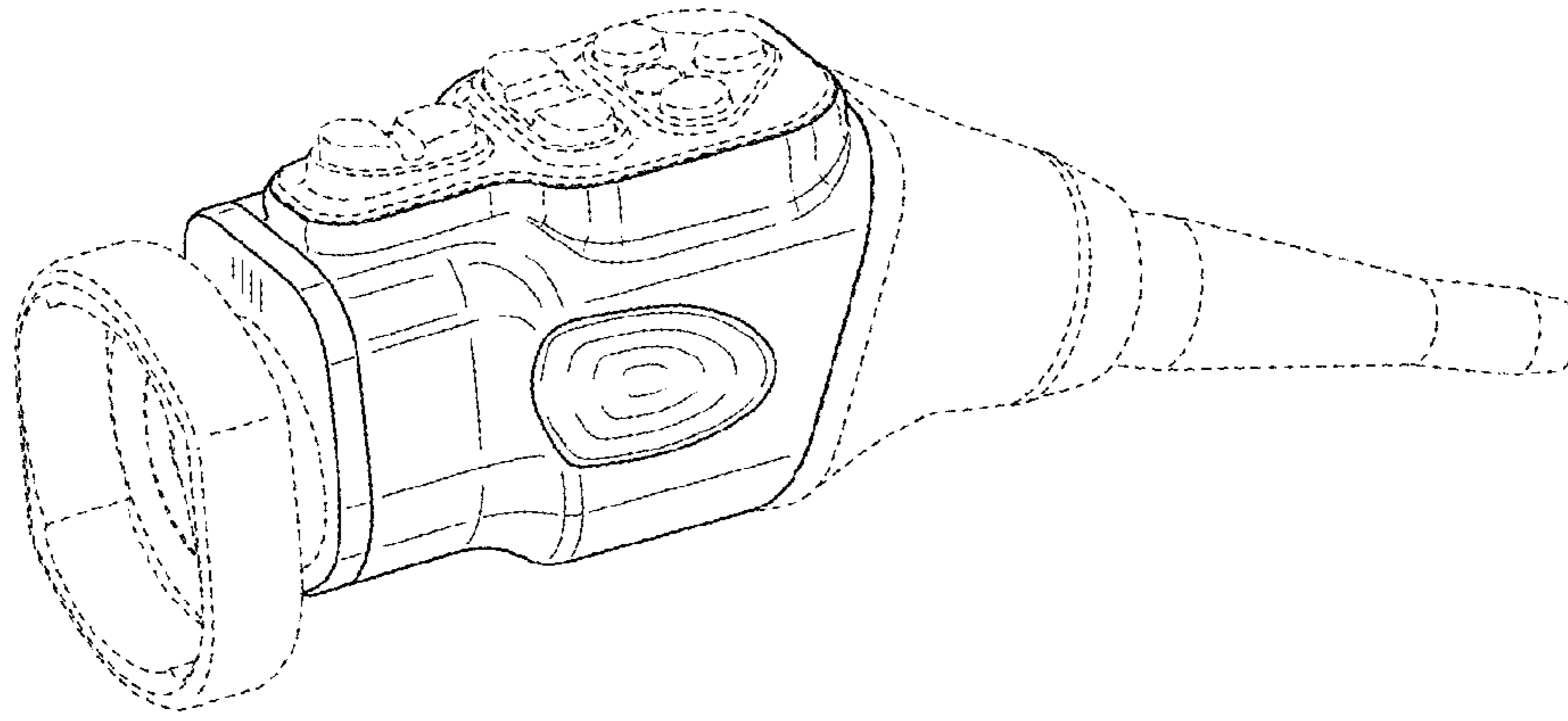
(56)

**References Cited**

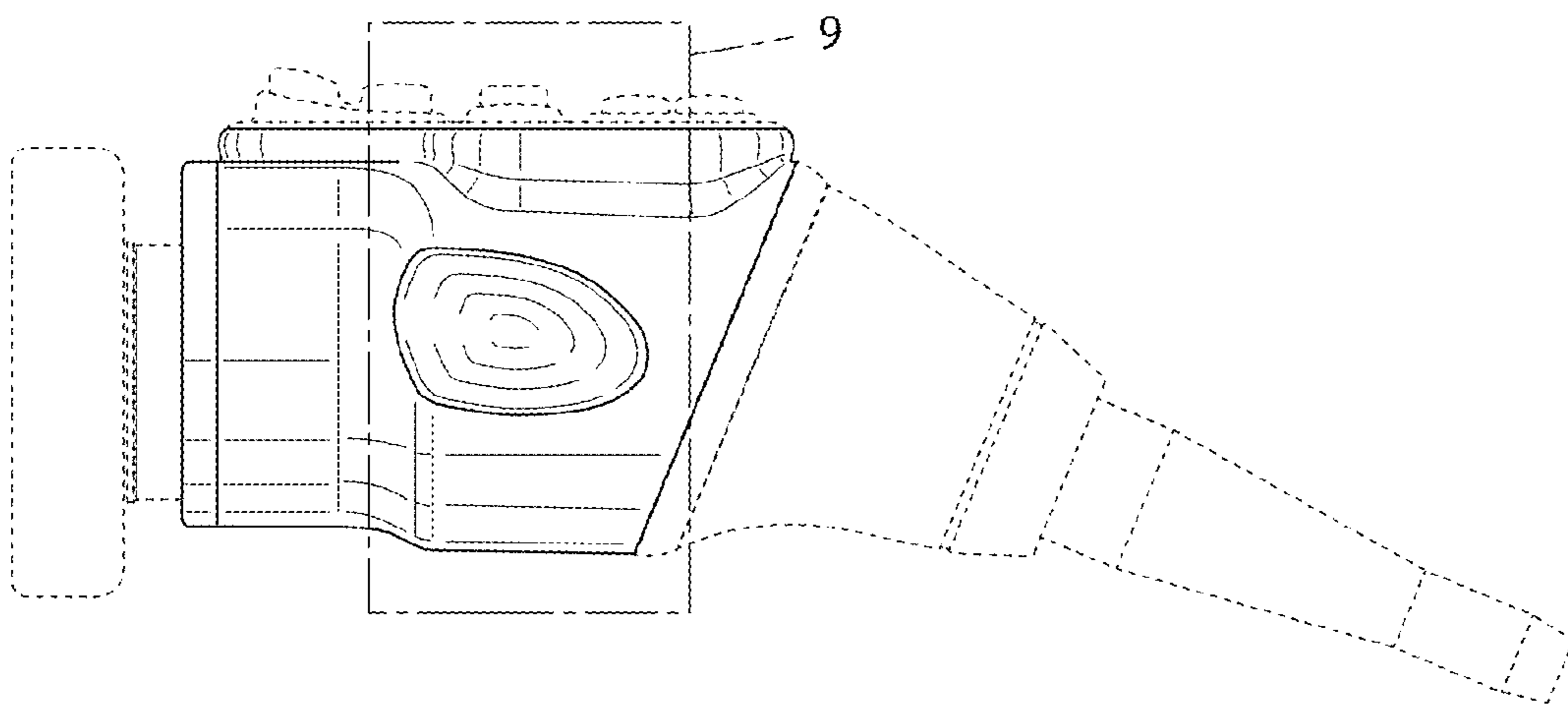
U.S. PATENT DOCUMENTS

D771,253 S \* 11/2016 Osada ..... D24/138

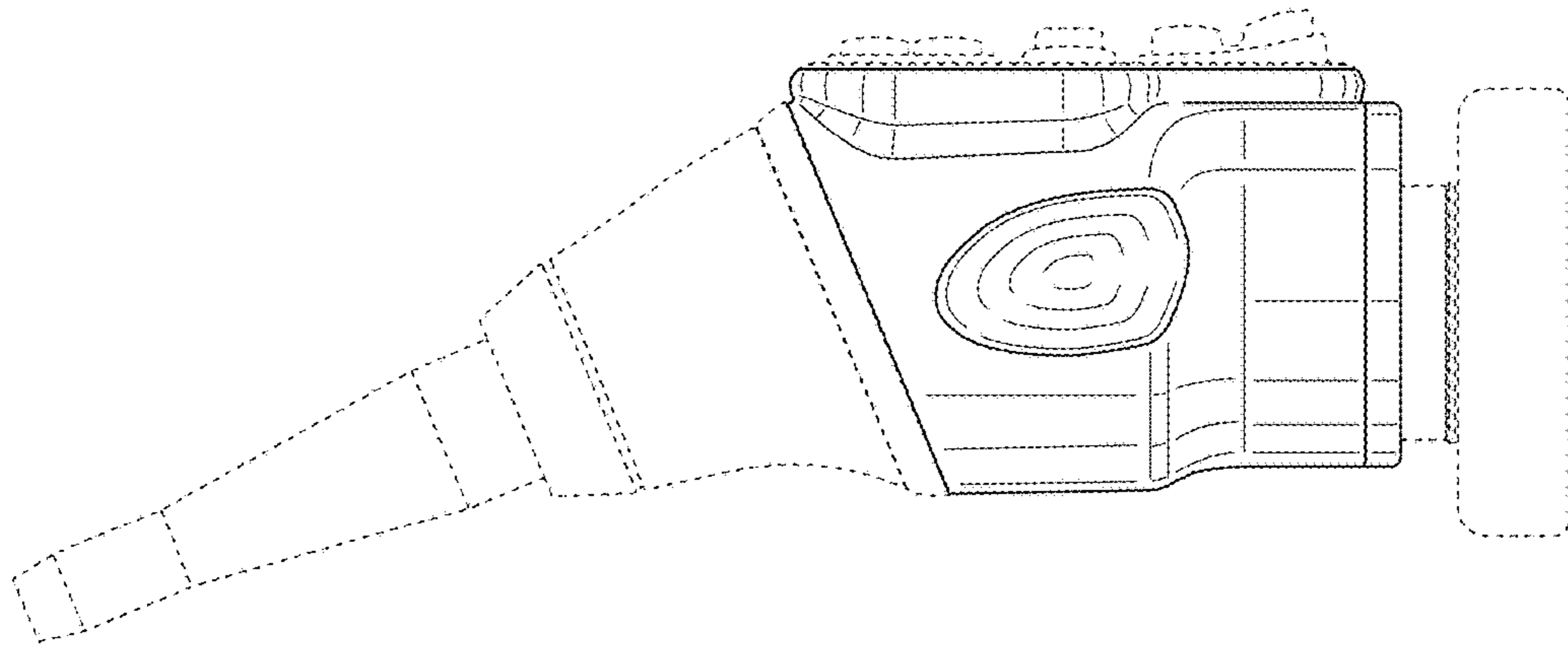
\* cited by examiner



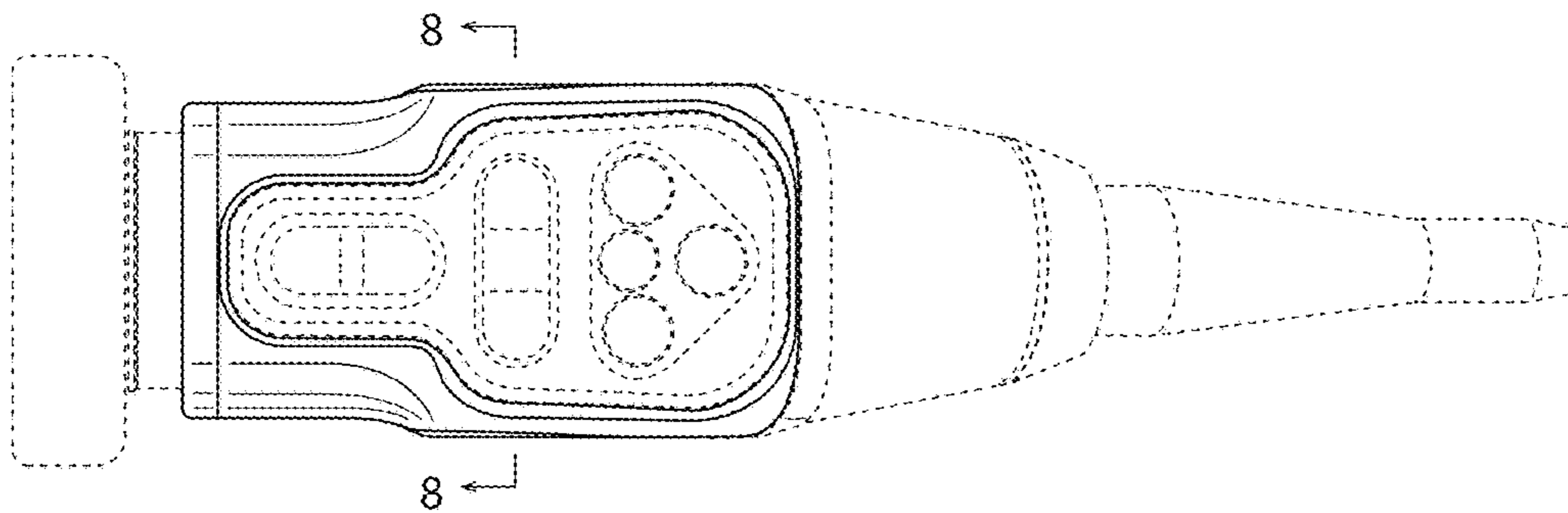
*Fig. 1*



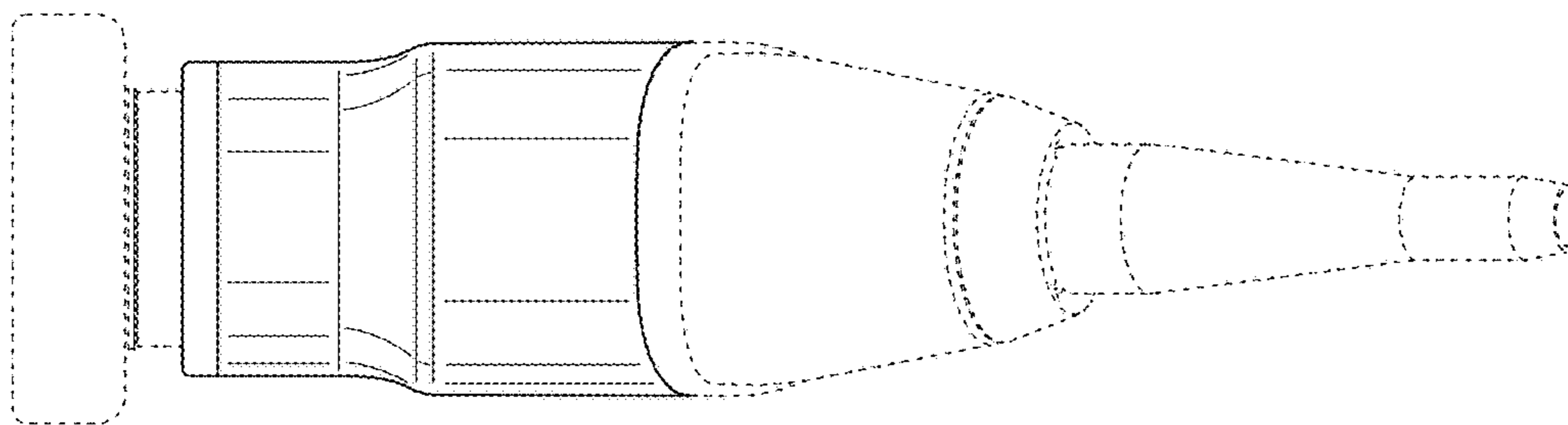
*Fig. 2*



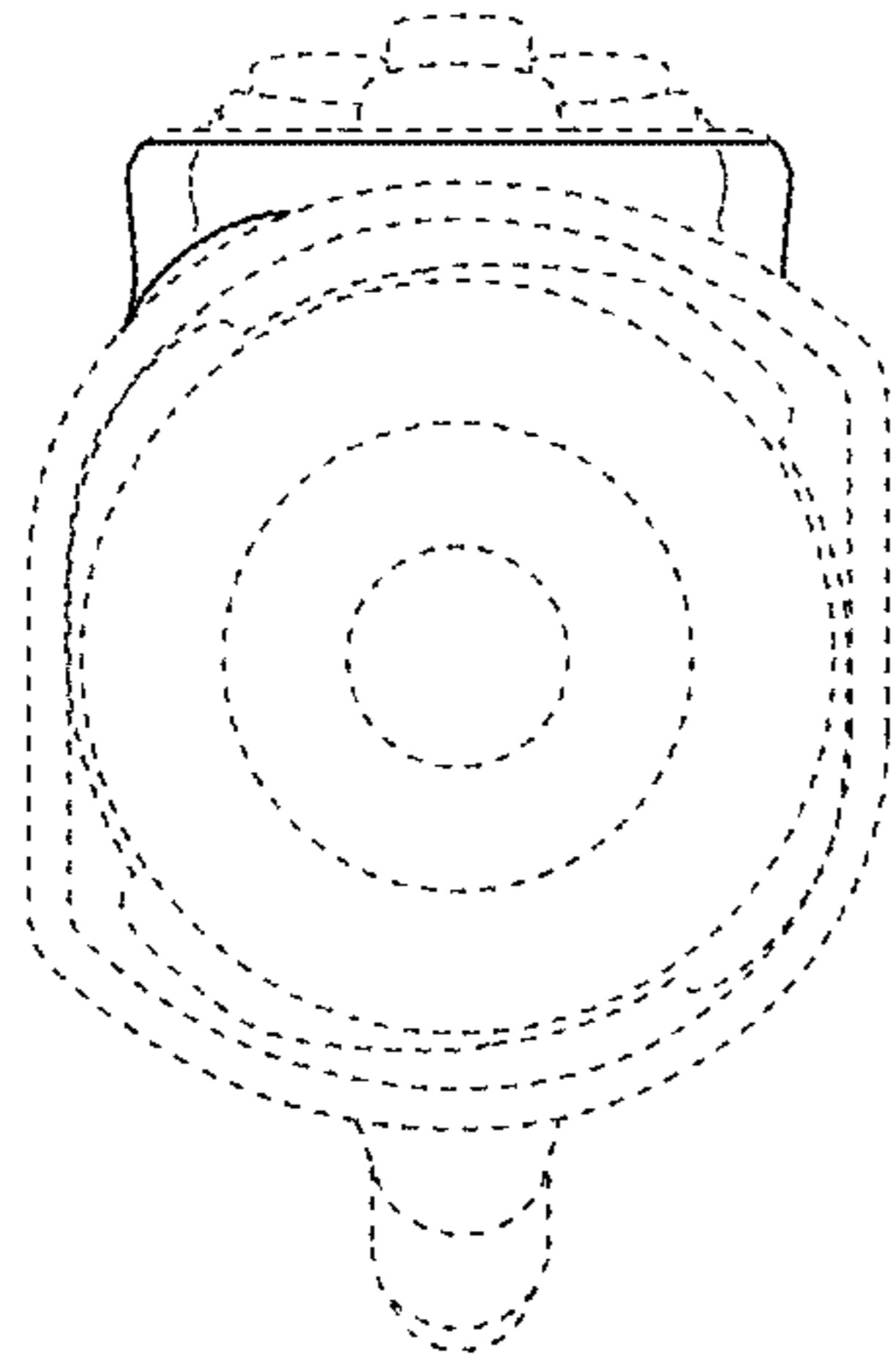
*Fig.3*



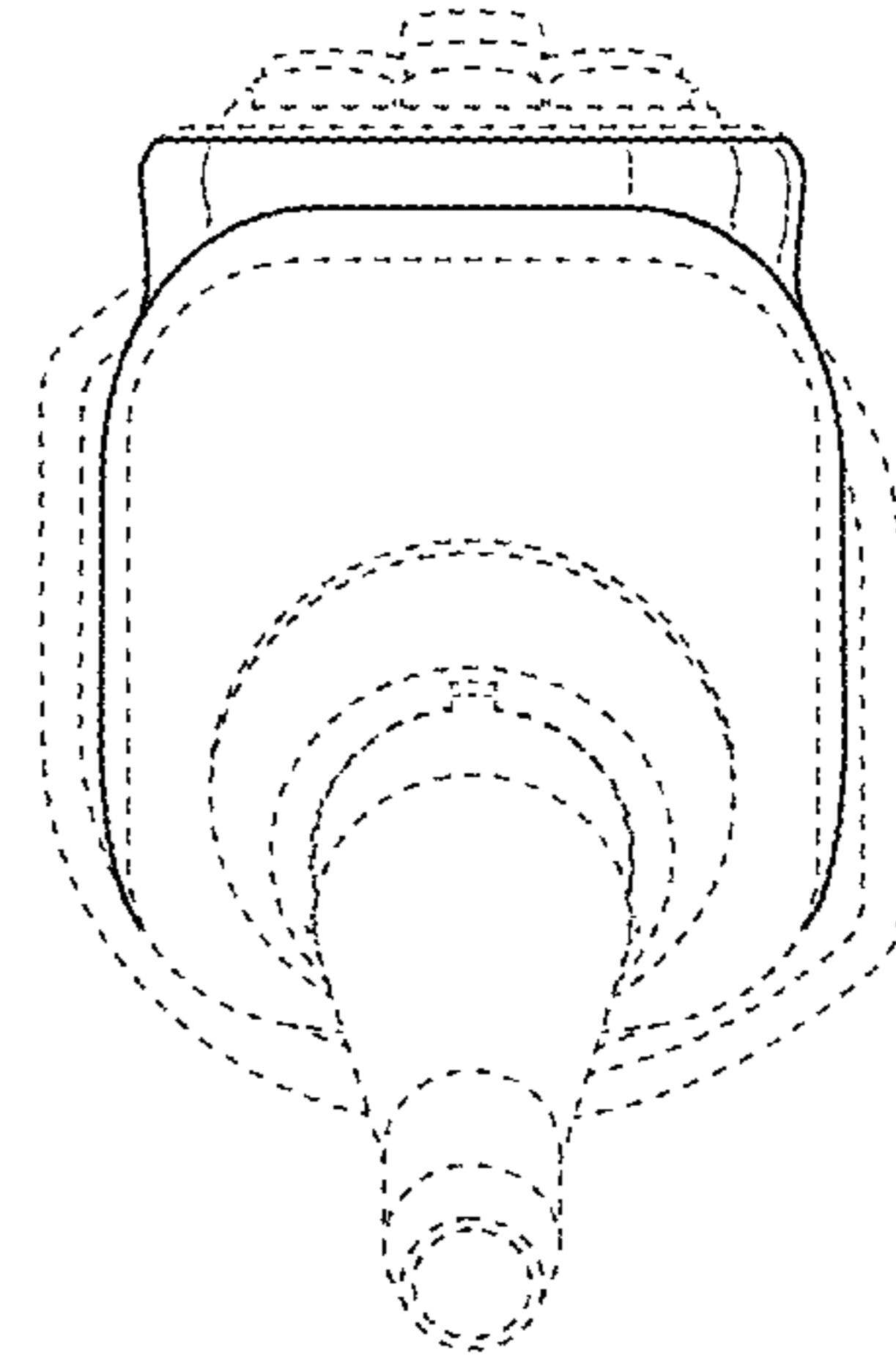
*Fig.4*



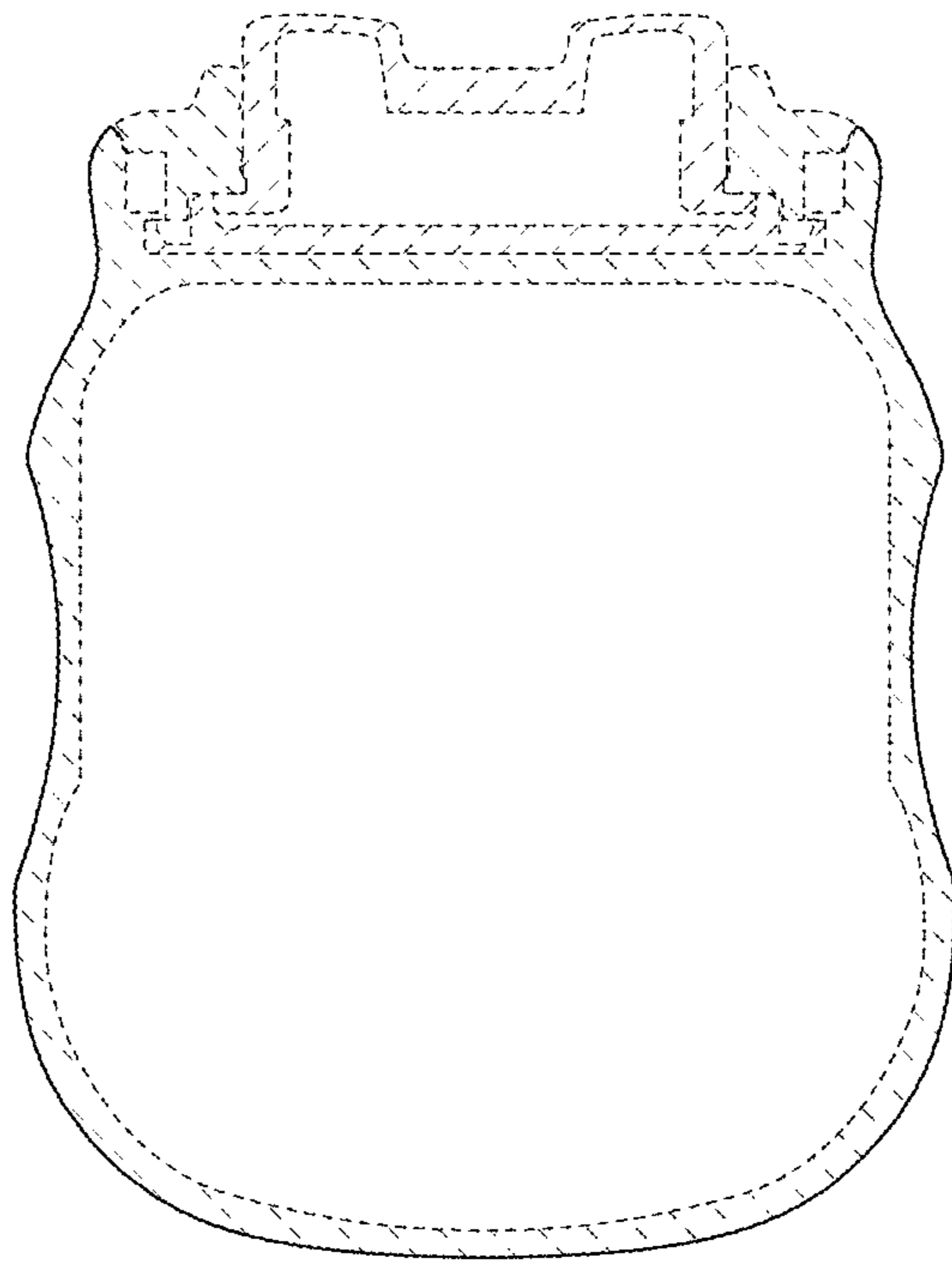
*Fig.5*



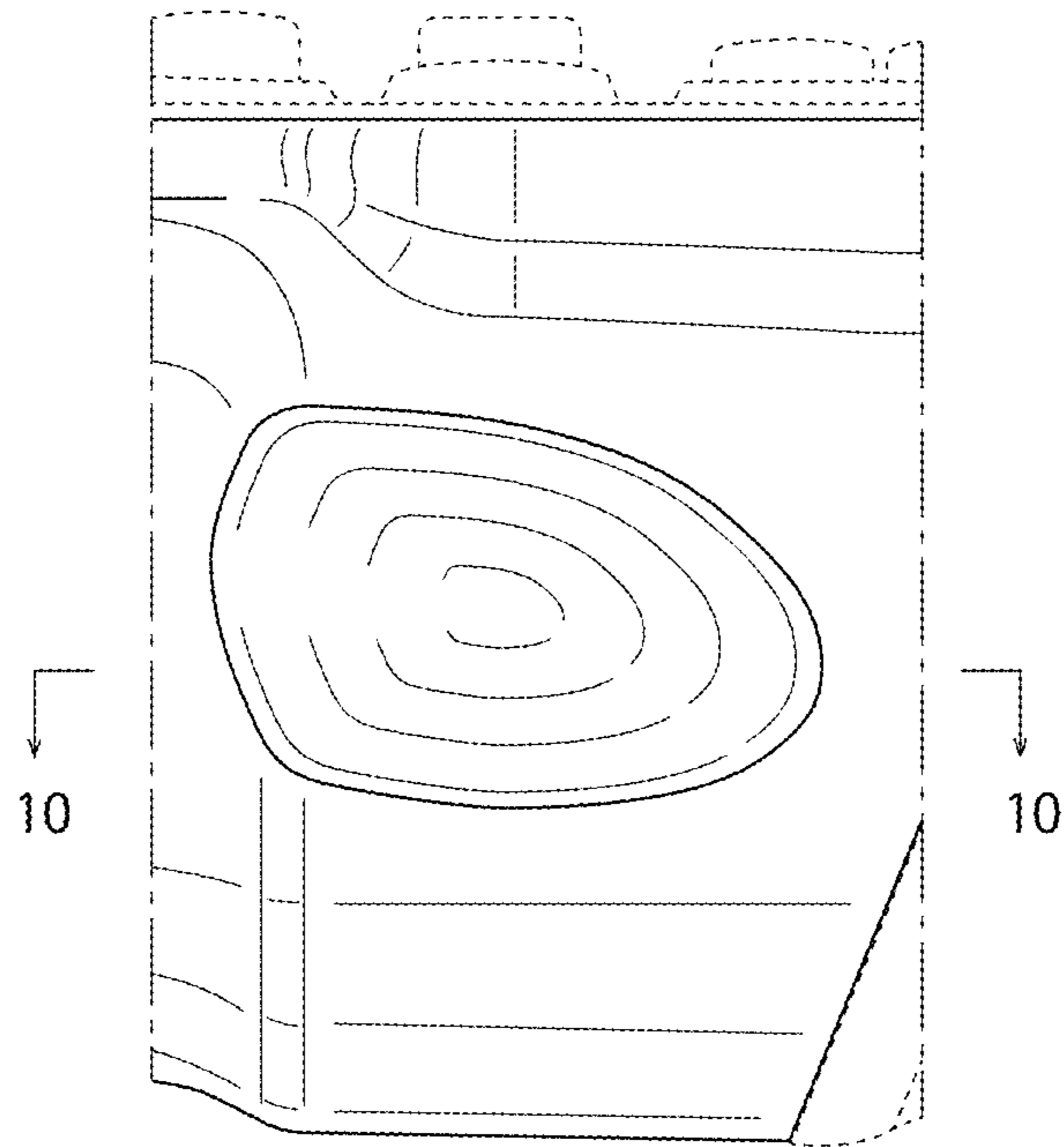
*Fig. 6*



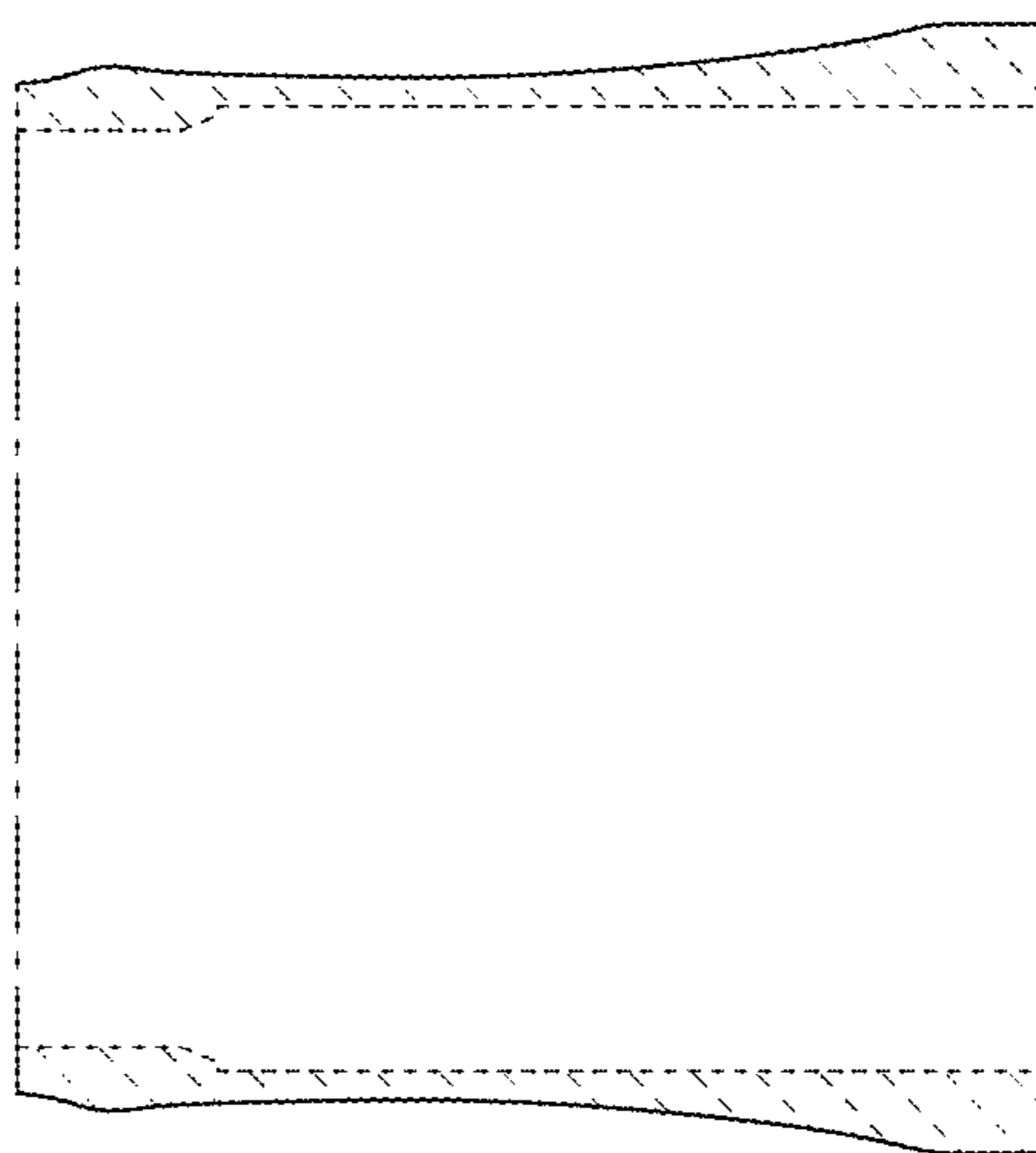
*Fig. 7*



*Fig. 8*



*Fig. 9*



*Fig. 10*



UNITED STATES PATENT AND TRADEMARK OFFICE  
**CERTIFICATE OF CORRECTION**

PATENT NO. : D784,535 S  
APPLICATION NO. : 29/567372  
DATED : April 18, 2017  
INVENTOR(S) : Reisuke Osada et al.

Page 1 of 1

It is certified that error appears in the above-identified patent and that said Letters Patent is hereby corrected as shown below:

On the Title Page

Insert:

--(30) December 25, 2014 (JP)..... 2014-028975  
December 25, 2014 (JP)..... 2014-028976--

Signed and Sealed this  
First Day of August, 2017



Joseph Matal  
*Performing the Functions and Duties of the  
Under Secretary of Commerce for Intellectual Property and  
Director of the United States Patent and Trademark Office*