



US00D784532S

(12) **United States Design Patent**
Bozzarelli

(10) **Patent No.:** **US D784,532 S**
(45) **Date of Patent:** **** Apr. 18, 2017**

(54) **VAGINAL PROBE**
(71) Applicant: **BEACMED S.R.L.**, Portalbera (IT)
(72) Inventor: **Pier Luigi Bozzarelli**, Portalbera (IT)
(**) Term: **15 Years**
(21) Appl. No.: **35/500,569**
(22) Filed: **Dec. 30, 2015**

(80) **Hague Agreement Data**
Int. Filing Date: **Dec. 30, 2015**
Int. Reg. No.: **DM/089092**
Int. Reg. Date: **Dec. 30, 2015**
Int. Reg. Pub. Date: **Feb. 5, 2016**

(51) **LOC (10) Cl.** **24-02**
(52) **U.S. Cl.**
USPC **D24/135**
(58) **Field of Classification Search**
USPC D24/135, 200, 138, 141, 187, 215, 133;
D8/307; 607/41, 66; 600/219, 29;
482/121; 606/41
CPC A61N 1/0524; A61N 1/0512; A61N
1/36007; A61B 1/303; A63B 23/20
See application file for complete search history.

(56) **References Cited**
U.S. PATENT DOCUMENTS
3,192,928 A * 7/1965 Horton A61B 1/303
600/219
D304,760 S * 11/1989 Curtis D24/141
6,773,380 B2 * 8/2004 Stein A63B 23/20
482/121
D500,134 S * 12/2004 Banks D24/138

D588,695 S * 3/2009 Kim D24/141
D715,452 S * 10/2014 Schiavon D24/200
D724,234 S * 3/2015 Hagege D24/187
D731,072 S * 6/2015 van den Dries D24/200
D744,665 S * 12/2015 Lamb D24/215
D745,149 S * 12/2015 Gaynor D24/141
D749,725 S * 2/2016 Sauer D24/133
D751,214 S * 3/2016 Guarraia D24/200
D751,722 S * 3/2016 Guarraia D24/200
D752,766 S * 3/2016 Guarraia D24/200
D753,316 S * 4/2016 Guarraia D24/200
D765,245 S * 8/2016 Kamal D24/141
D771,809 S * 11/2016 Huegle D24/138
D773,915 S * 12/2016 Barakat D8/307
2014/0088590 A1 * 3/2014 Bozzarelli A61N 1/0512
606/41
2015/0133724 A1 * 5/2015 Bozzarelli A61N 1/36007
600/29
2016/0114150 A1 * 4/2016 Bozzarelli A61N 1/0524
607/66
2016/0114154 A1 * 4/2016 Bozzarelli A61N 1/0524
607/41

* cited by examiner

Primary Examiner — Rhea Shields

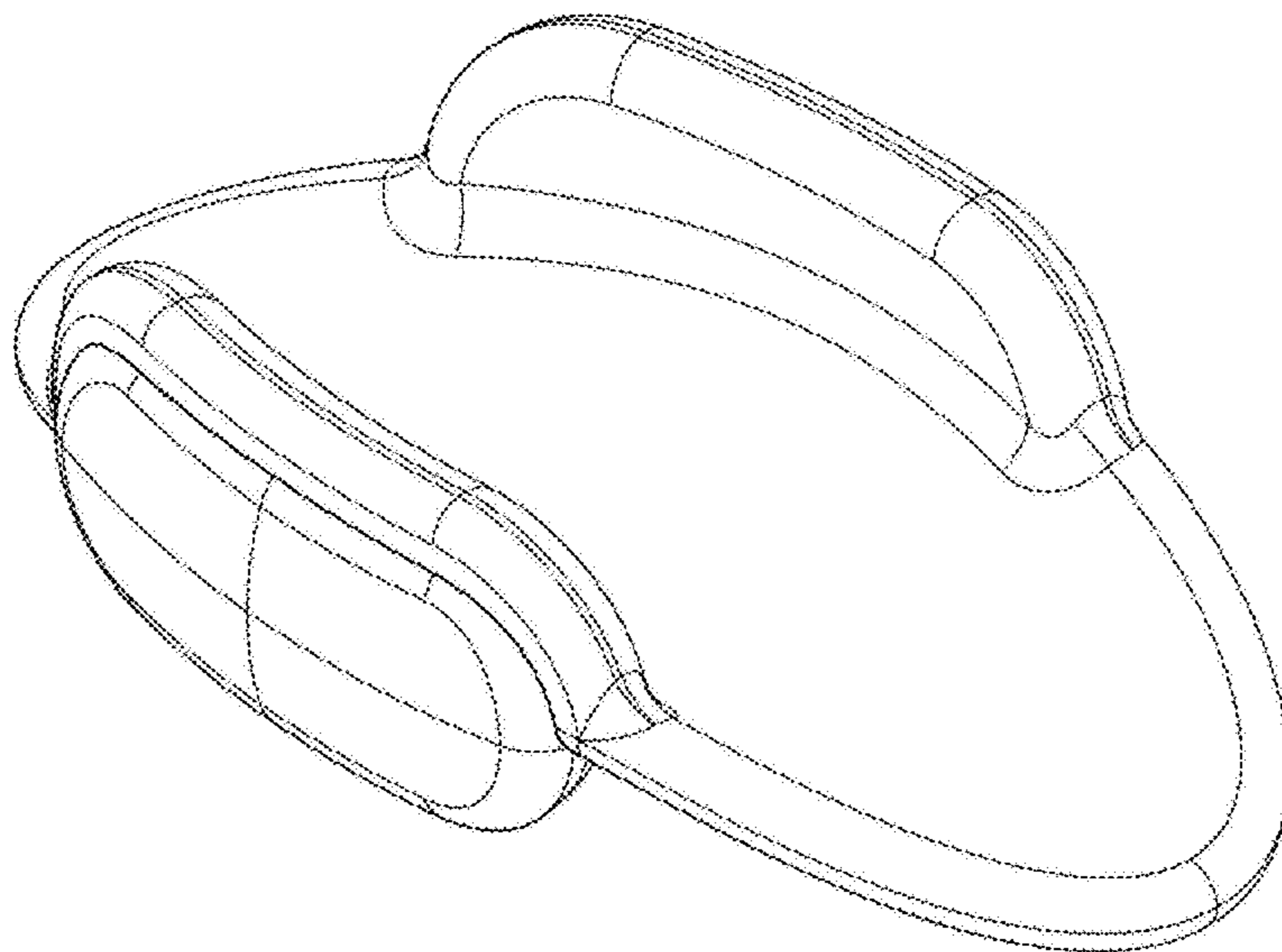
(57) **CLAIM**

The ornamental design for a vaginal probe, as shown and described.

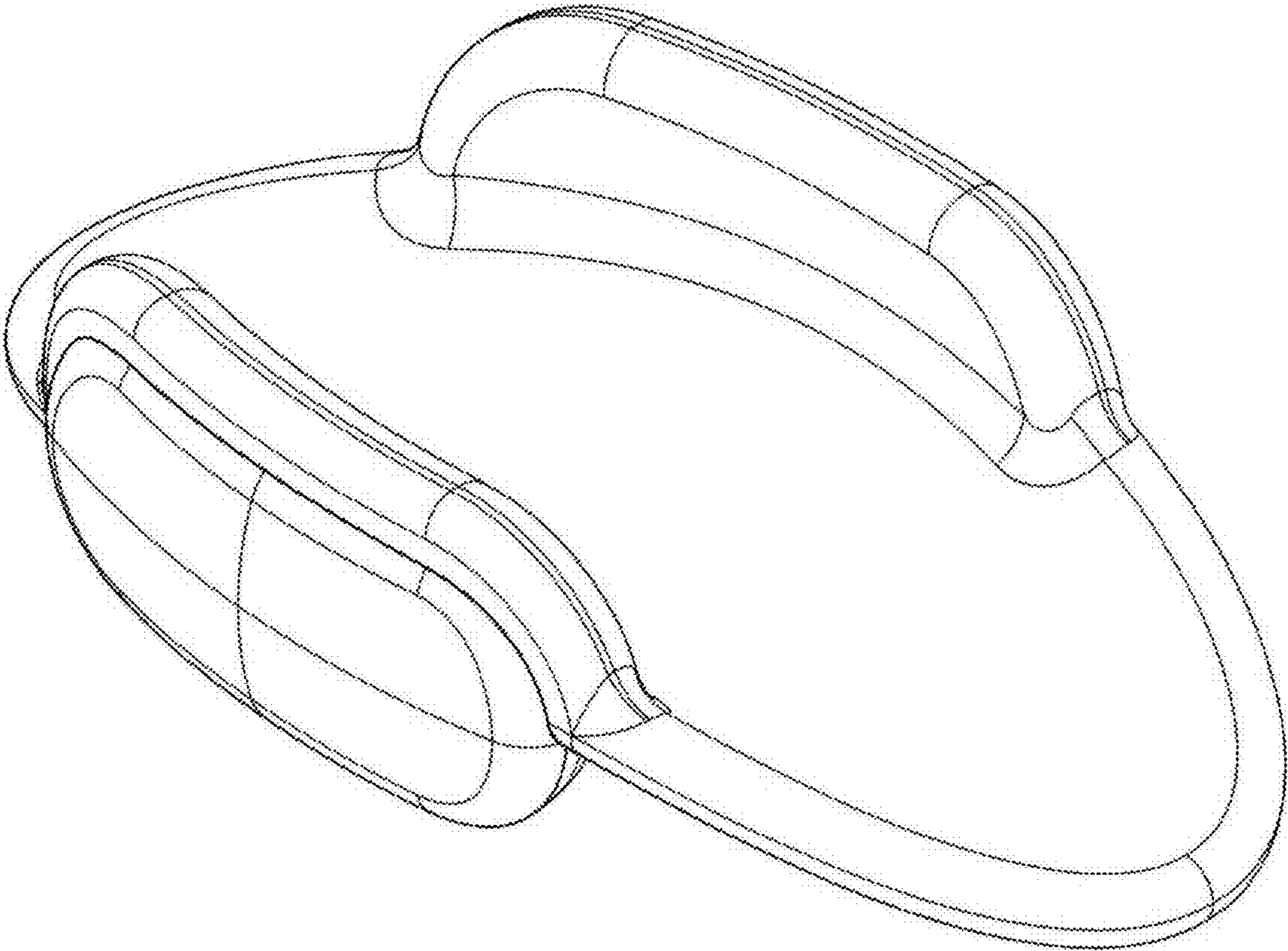
DESCRIPTION

- 1. Vaginal probe
- 1.1 : Perspective
- 1.2 : Front
- 1.3 : Back
- 1.4 : Left
- 1.5 : Top
- 1.6 : Bottom

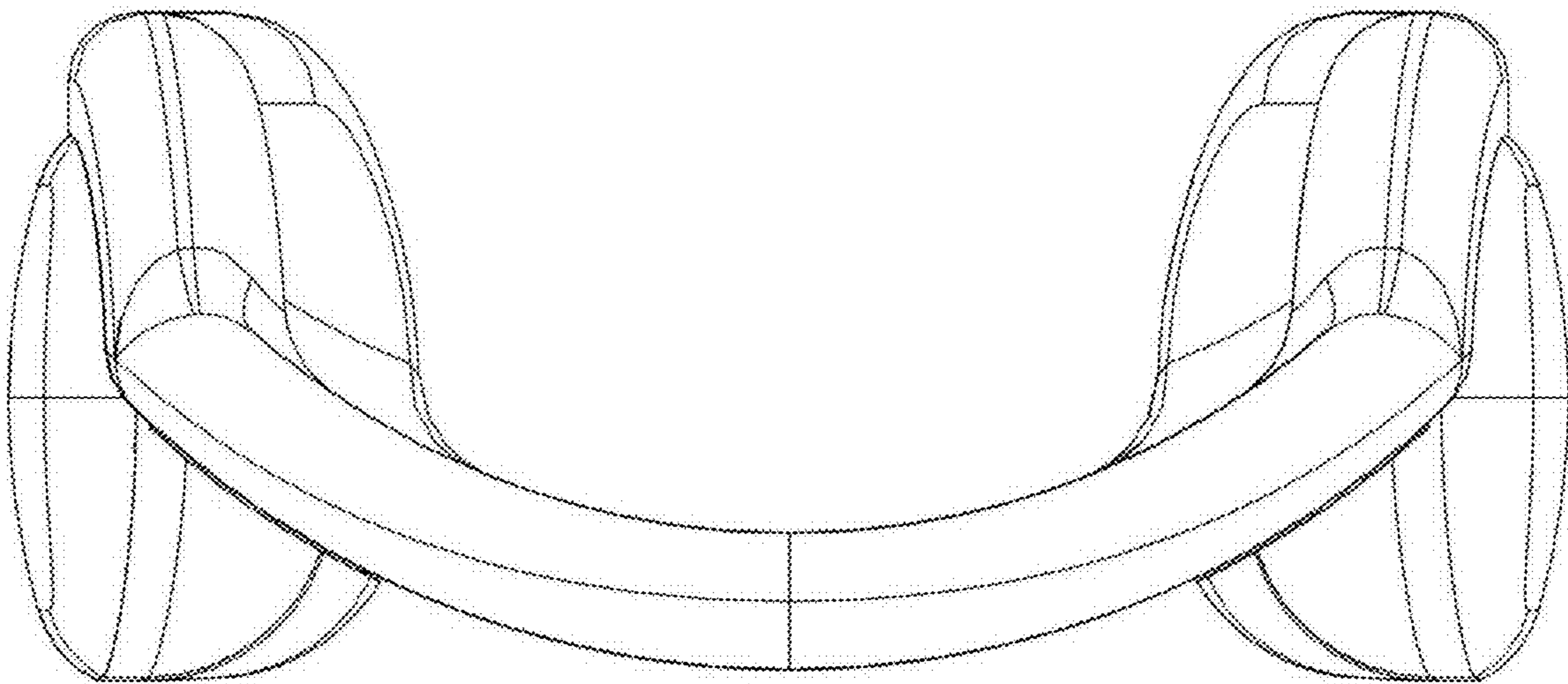
1 Claim, 6 Drawing Sheets



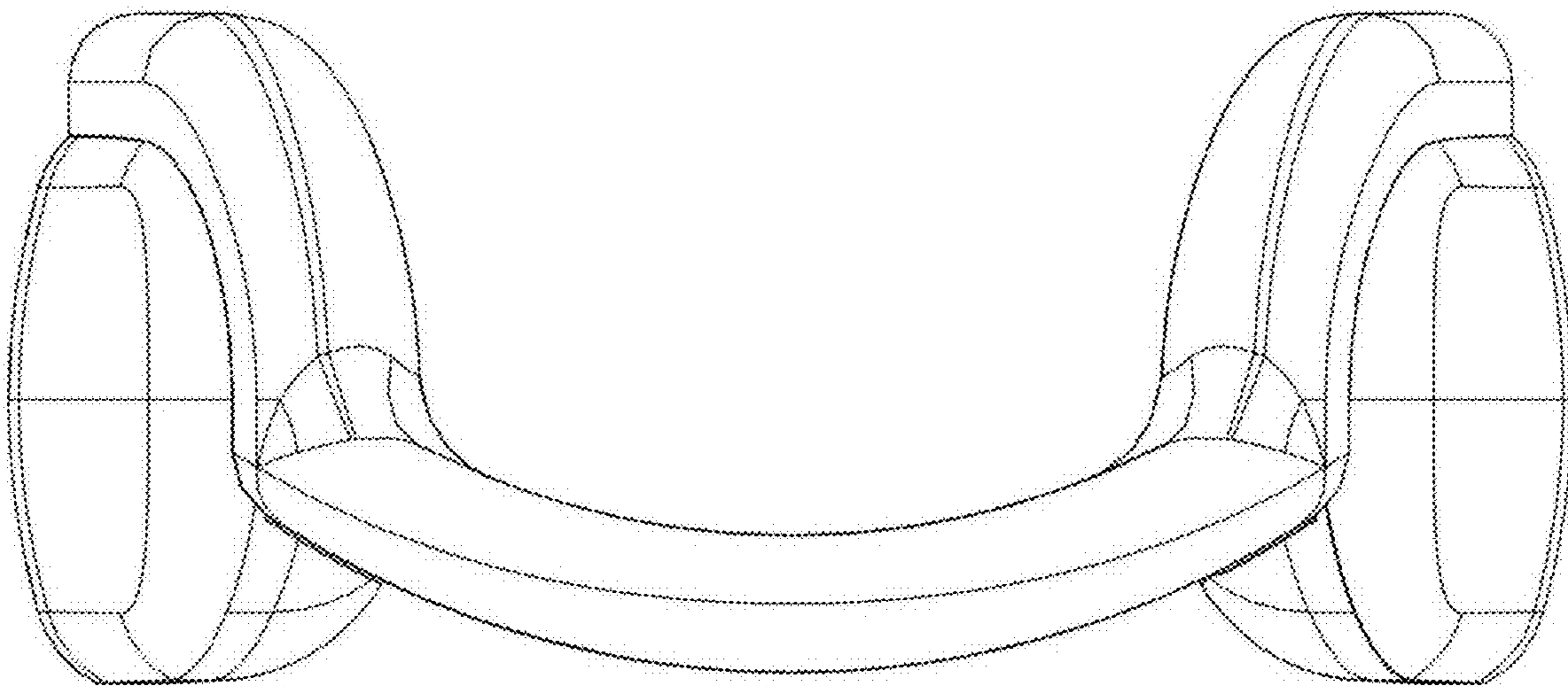
1.1



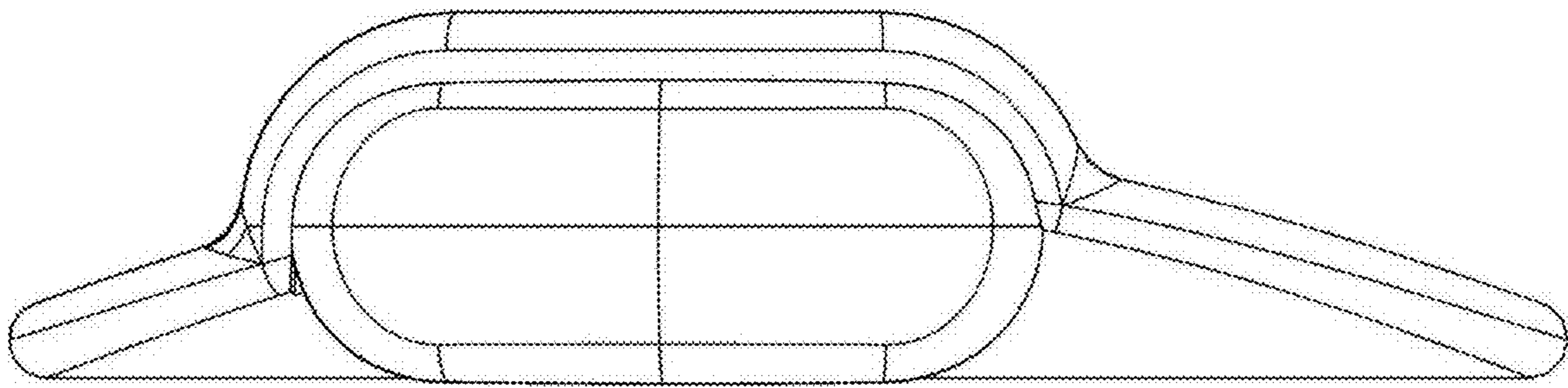
1.2



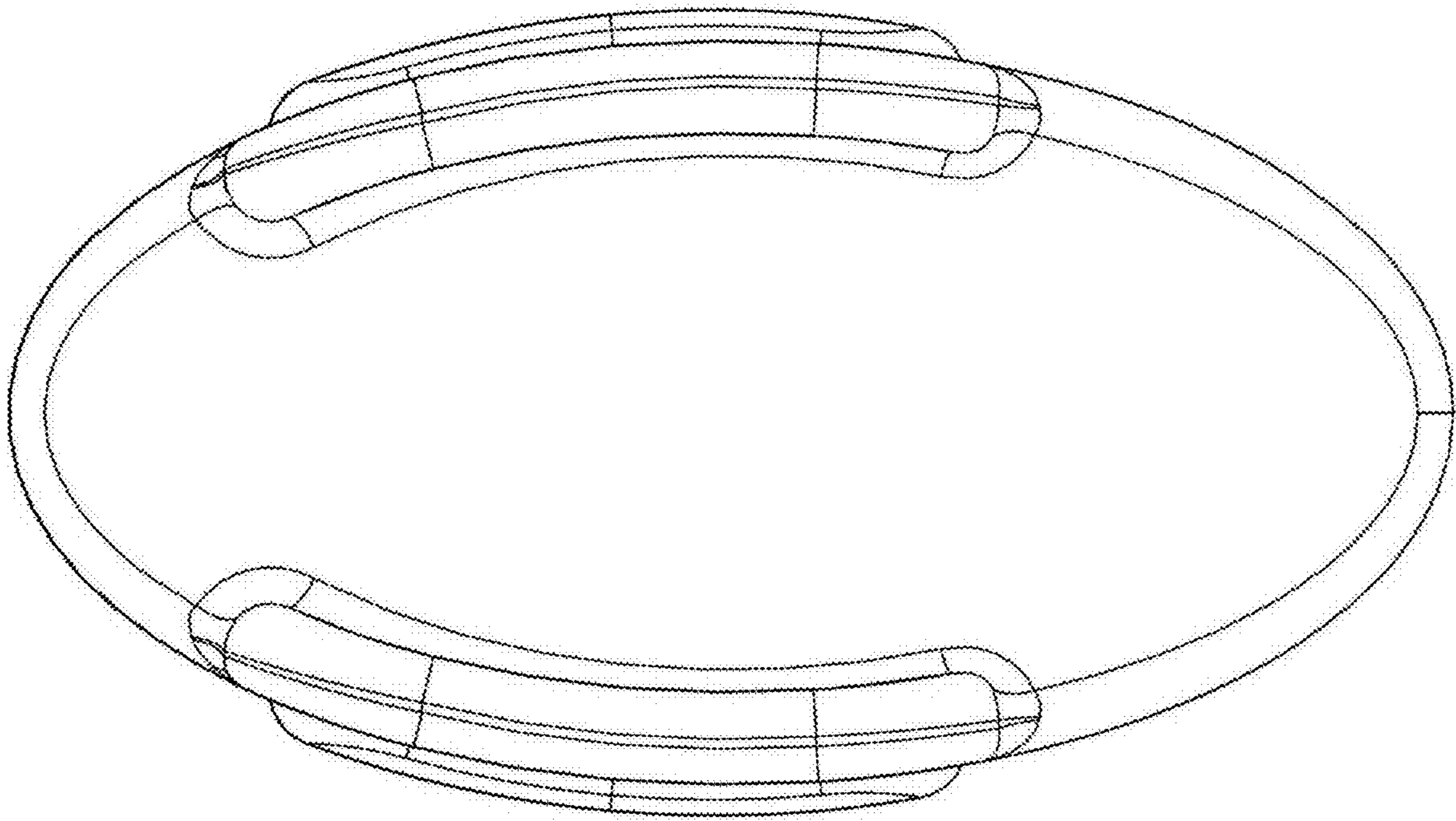
1.3



1.4



1.5



1.6

