



US00D784529S

(12) **United States Design Patent** (10) **Patent No.:** **US D784,529 S**
Steele et al. (45) **Date of Patent:** **** Apr. 18, 2017**

(54) **ENTERAL FEEDING CONNECTOR ASSEMBLY**

(71) Applicant: **Nordson Corporation**, Westlake, OH (US)

(72) Inventors: **Kyle R. Steele**, Windsor, CO (US);
Jonathan Mayer, Ferndale, WA (US)

(73) Assignee: **Nordson Corporation**, Westlake, OH (US)

(**) Term: **14 Years**

(21) Appl. No.: **29/498,123**

(22) Filed: **Jul. 31, 2014**

(51) **LOC (10) Cl.** **24-02**

(52) **U.S. Cl.**
USPC **D24/129**

(58) **Field of Classification Search**
USPC D24/127-131, 112-114, 133, 186;
606/181, 185; 604/264, 523-528, 272,
604/187, 158, 164.01-164.11, 181, 184,
604/227; 600/101, 139, 143;
128/200.24, 207.14, 207.15
CPC A61M 25/00; A61M 39/00; A61M 27/00;
A61M 25/0043; A61M 25/0067; A61M
25/0097; A61F 2/958
See application file for complete search history.

(56) **References Cited**

U.S. PATENT DOCUMENTS

D637,713 S * 5/2011 Nord D24/129
D639,939 S * 6/2011 Klockars D24/129
D640,787 S * 6/2011 Chia D24/130
D641,080 S * 7/2011 Zinger D24/129
D654,166 S * 2/2012 Lair D24/129
D672,460 S * 12/2012 Baid D24/130

D682,423 S * 5/2013 Becker D24/133
D690,418 S * 9/2013 Rosenquist D24/129
D701,304 S * 3/2014 Lair D24/129
D702,343 S * 4/2014 Dale D24/129
D714,935 S * 10/2014 Nishioka D24/130
D718,439 S * 11/2014 Woehr D24/130
D730,518 S * 5/2015 Lombardi, III D24/129

* cited by examiner

Primary Examiner — David Muller

(74) *Attorney, Agent, or Firm* — Baker & Hostetler LLP

(57) **CLAIM**

The ornamental design for an enteral feeding connector assembly, as shown and described.

DESCRIPTION

FIG. 1 is an isometric view of the enteral feeding connector assembly, illustrated with its male component and female component in an assembled configuration.

FIG. 2 is a front view of the enteral feeding connector assembly.

FIG. 3 is a rear view of the enteral feeding connector assembly.

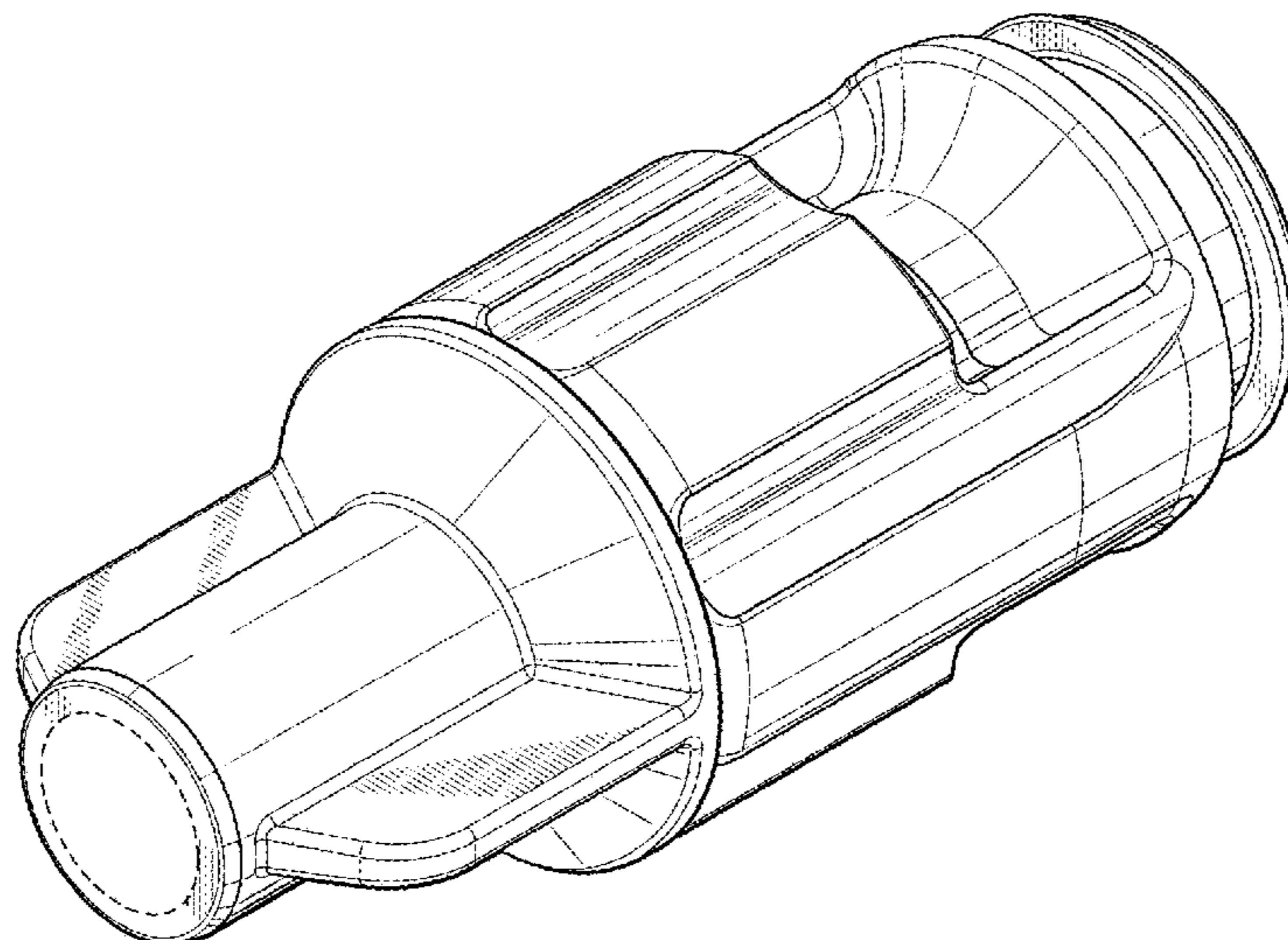
FIG. 4 is a right side view of the enteral feeding connector assembly, with the left side view being a mirror image thereof.

FIG. 5 is a top view of the enteral feeding connector assembly, with the bottom view being a mirror image thereof; and,

FIG. 6 is an isometric view of the enteral feeding connector assembly, illustrated with its male component and female component in a disassembled configuration.

The broken lines in the figures are shown for the purpose of illustrating boundaries of the claimed design and the areas inside the broken line boundaries form no part of the claimed design.

1 Claim, 4 Drawing Sheets



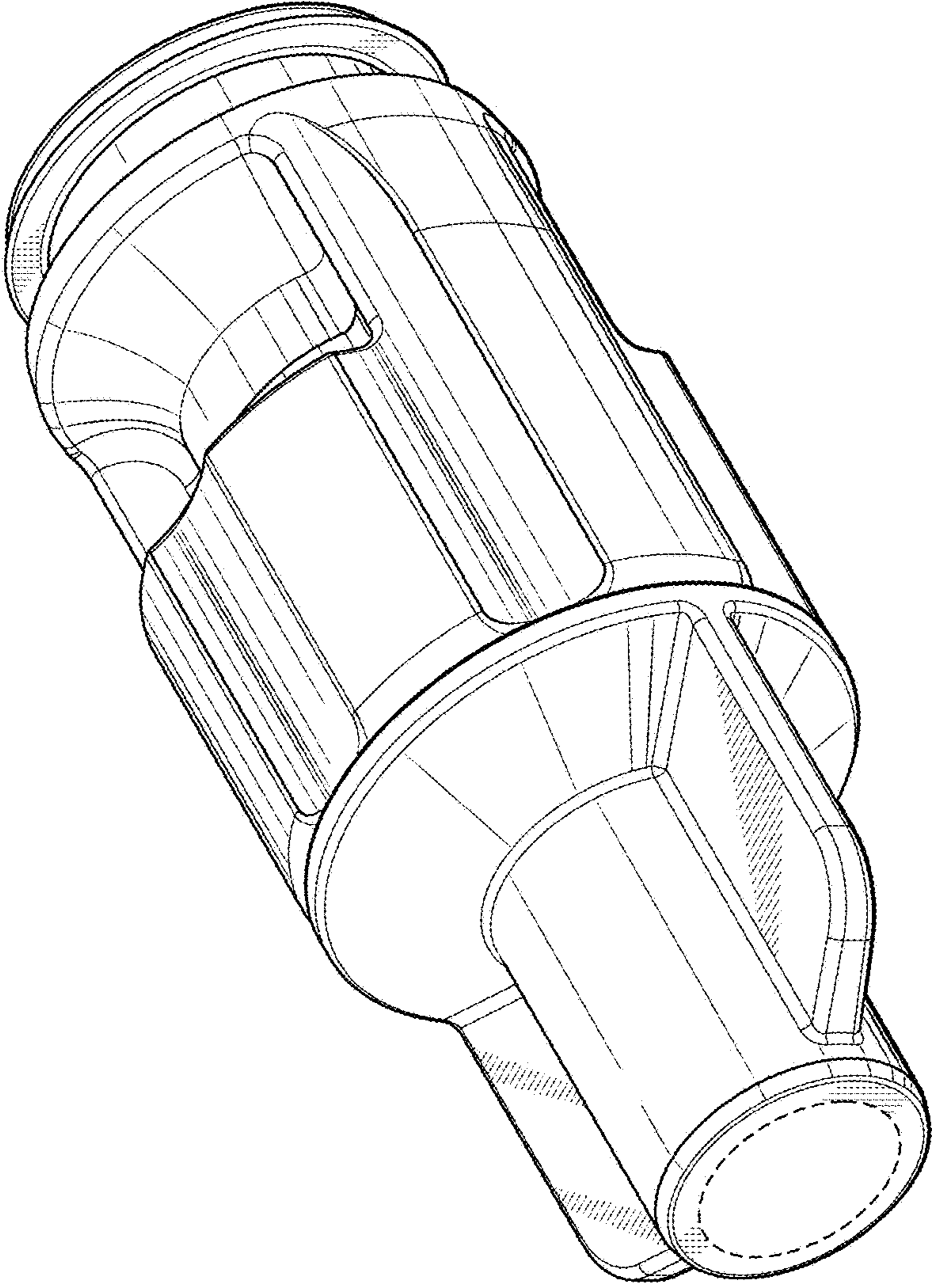


FIG. 1

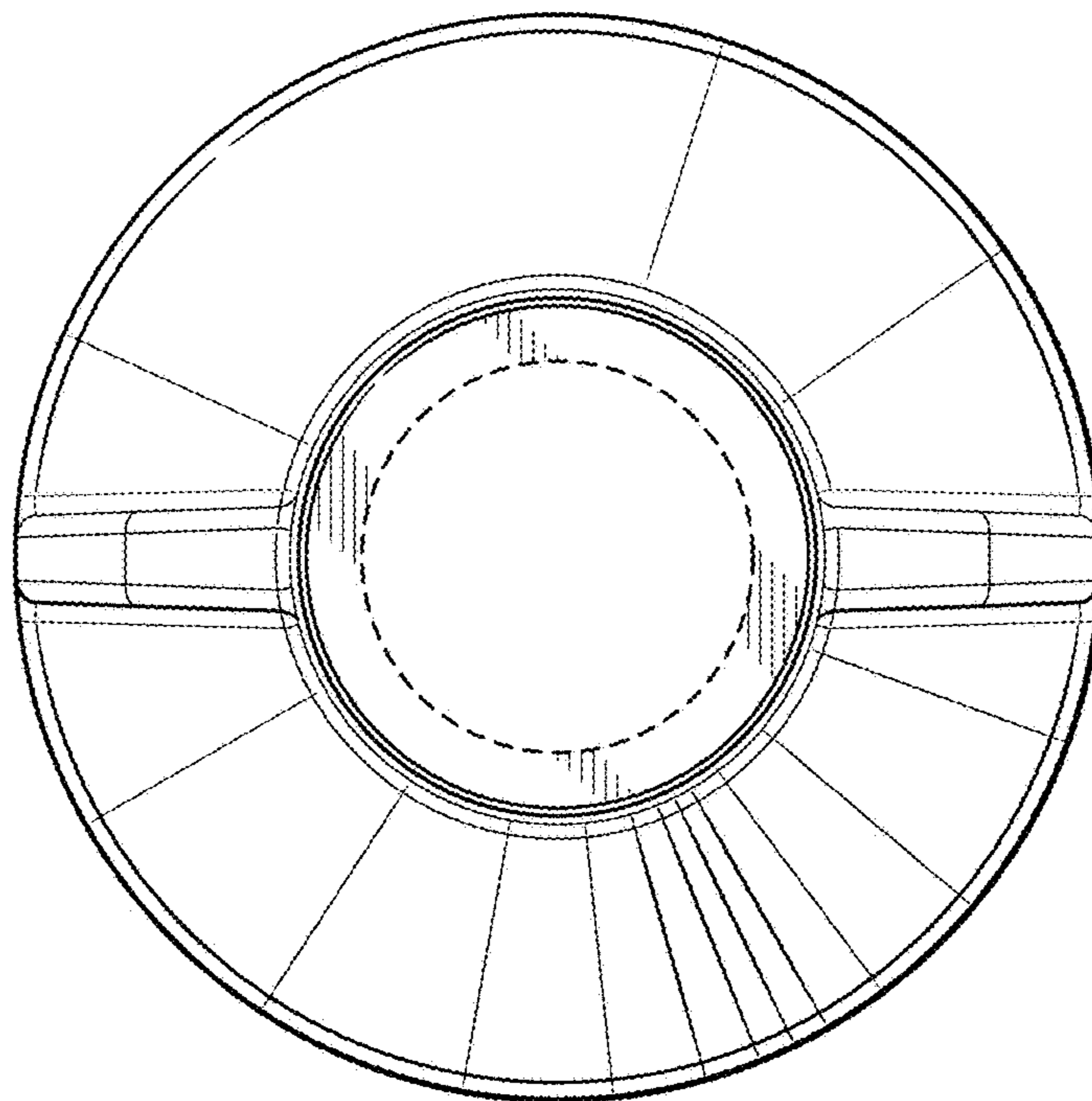


FIG. 2

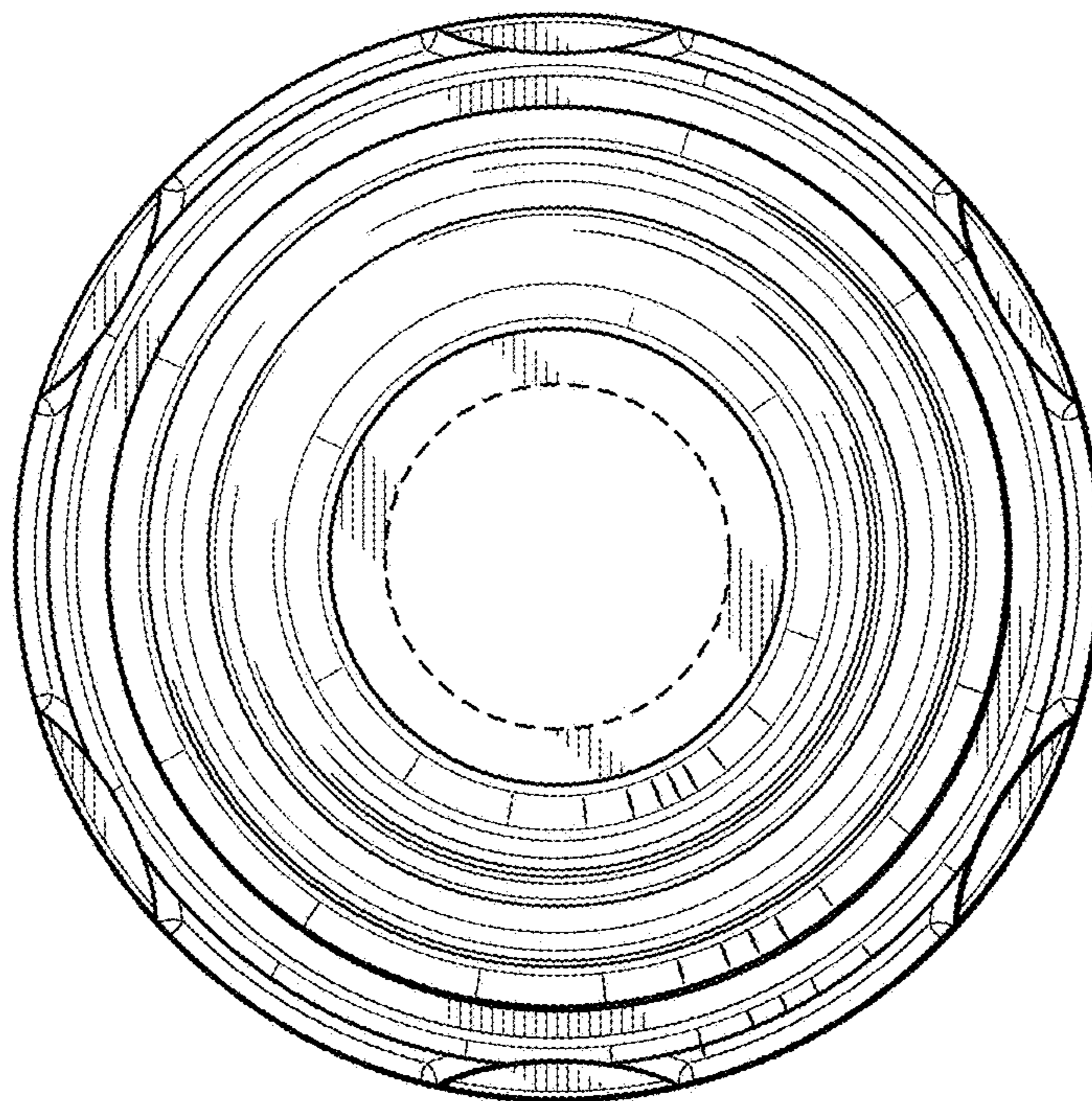


FIG. 3

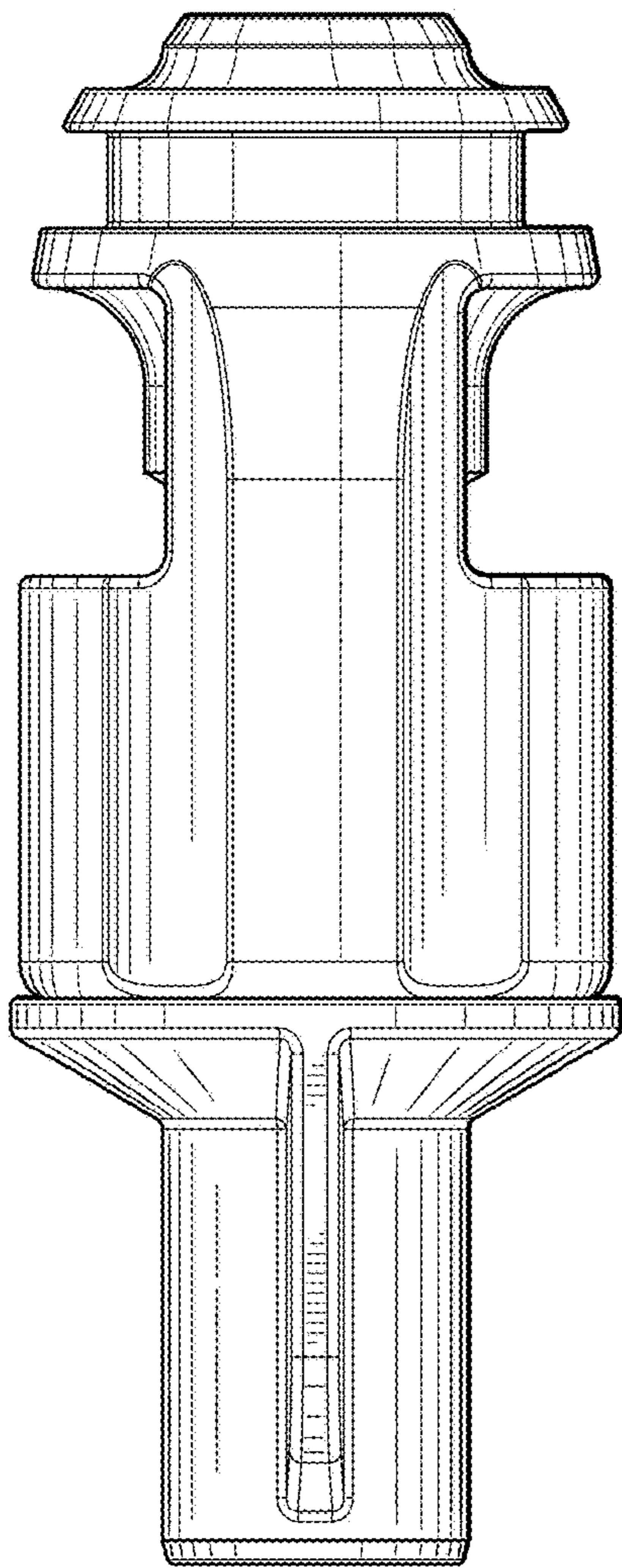


FIG. 4

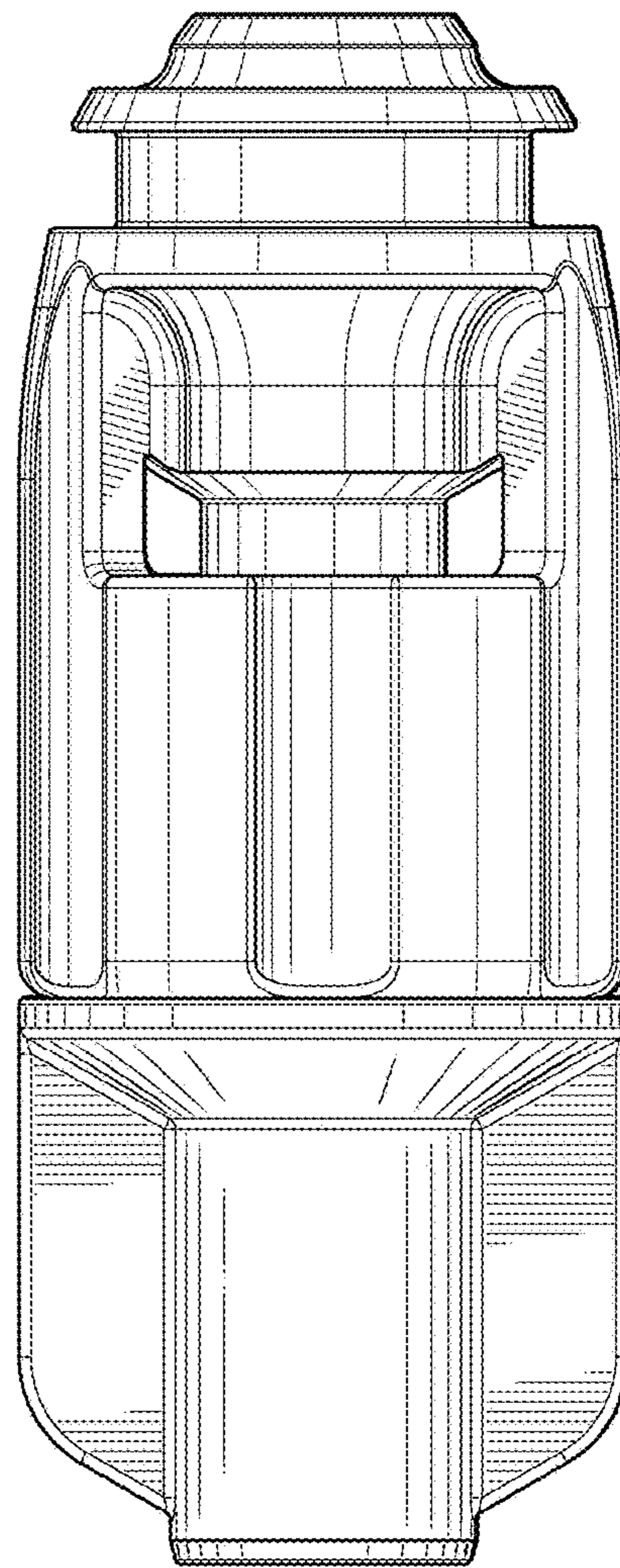


FIG. 5

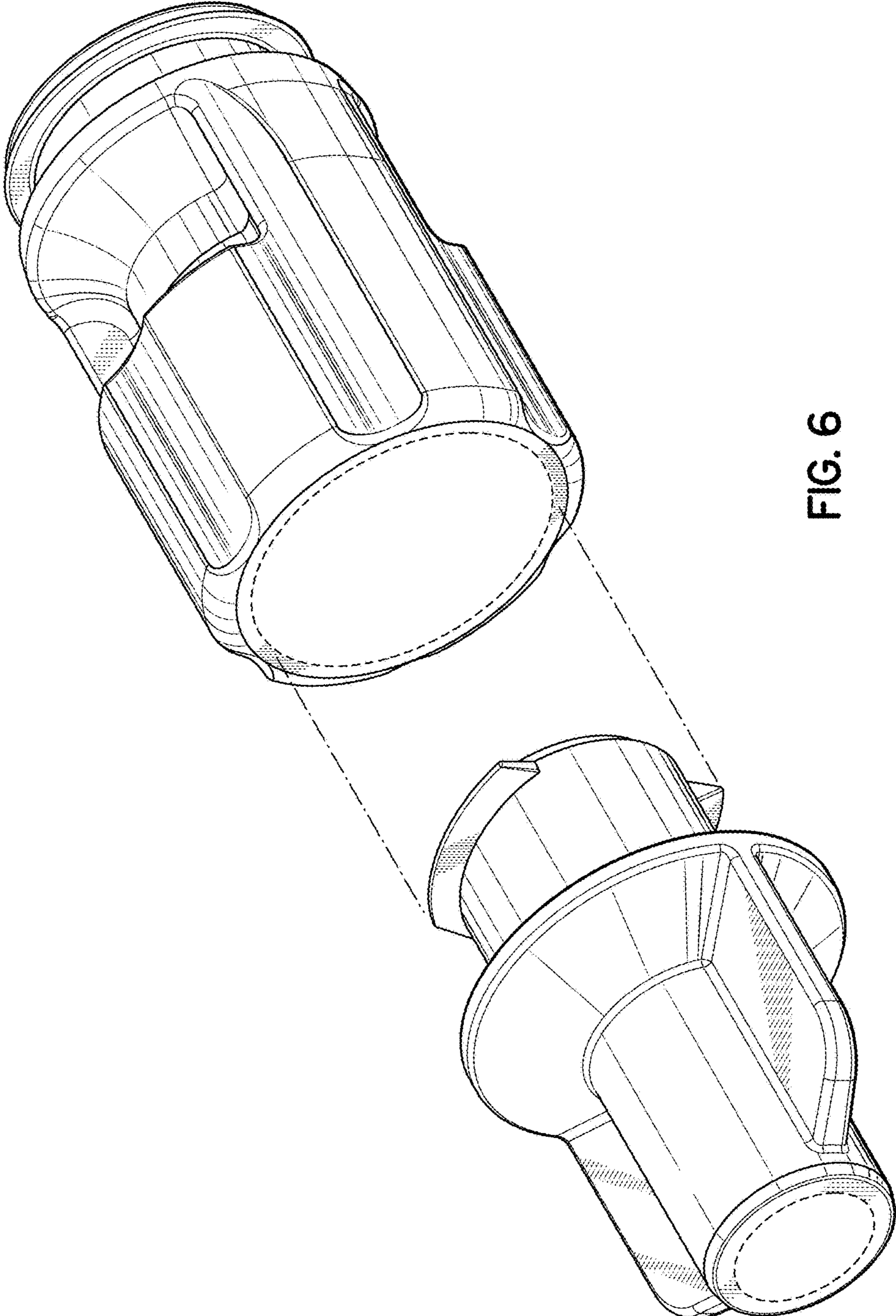


FIG. 6