



US00D784528S

(12) **United States Design Patent** (10) **Patent No.:** **US D784,528 S**
Burgess et al. (45) **Date of Patent:** **** Apr. 18, 2017**

(54) **MEDICAL PORT**
(75) Inventors: **James E. Burgess**, Mundelein, IL (US);
John H. Kutsch, Harvard, IL (US)
(73) Assignee: **Medline Industries, Inc.**, Northfield, IL
(US)
(**) Term: **14 Years**
(21) Appl. No.: **29/427,270**
(22) Filed: **Jul. 16, 2012**

5,203,775 A 4/1993 Frank et al.
D342,135 S 12/1993 Goldberger et al.
5,356,369 A 10/1994 Yamasaki et al.
5,360,413 A 11/1994 Leason et al.
5,474,544 A 12/1995 Lynn
5,501,426 A 3/1996 Atkinson et al.
5,509,433 A 4/1996 Paradis
5,533,708 A 7/1996 Atkinson et al.
5,616,130 A 4/1997 Mayer
5,632,735 A 5/1997 Wyatt et al.
5,641,184 A 6/1997 Mortensen
5,676,346 A 10/1997 Leinsing

(Continued)

Related U.S. Application Data

(62) Division of application No. 29/407,332, filed on Nov.
28, 2011, now Pat. No. Des. 699,578.
(51) **LOC (10) Cl.** **24-01**
(52) **U.S. Cl.**
USPC **D24/129**
(58) **Field of Classification Search**
USPC D24/127-131, 112-114, 133, 186;
606/181, 185; 604/264, 272, 115, 232,
604/187, 158, 164.08, 192, 263, 163, 181,
604/184, 198, 227; 600/101, 139, 143;
128/200.24, 207.14, 207.15
CPC A61M 39/045; A61M 2039/0072; A61M
2039/0036; A61M 39/26
See application file for complete search history.

OTHER PUBLICATIONS

Goodman, Eric L., "Notice of Allowance", U.S. Appl. No.
29/344,747, filed Oct. 2, 2009; Mailed Dec. 1, 2011.

(Continued)

Primary Examiner — David Muller
Assistant Examiner — Nathan Johnston
(74) *Attorney, Agent, or Firm* — Philip H. Burrus, IV

(57) **CLAIM**

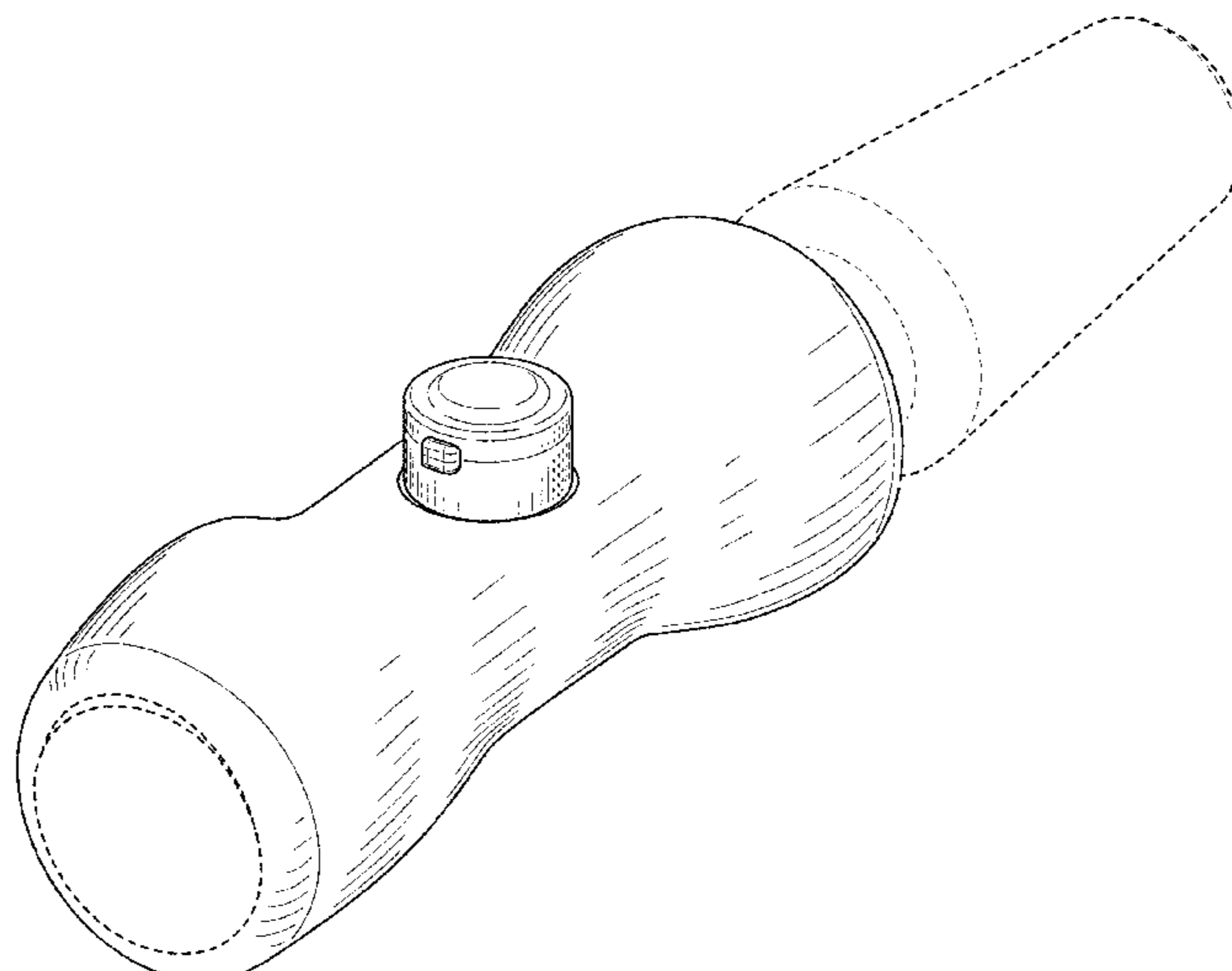
The ornamental design for a medical port, as shown and
described.

DESCRIPTION

FIG. 1 is a rear, right, top perspective view of a medical port,
illustrating one embodiment our new design;
FIG. 2 is a rear elevation view thereof;
FIG. 3 is a front elevation view thereof;
FIG. 4 is a right elevation view thereof;
FIG. 5 is a top plan view thereof; and,
FIG. 6 is a bottom plan view thereof.
The broken lines are included for the purpose of illustrating
portions of the article that form no part of the claimed
design. The broke lines that define the bounds of the claimed
design form no part thereof.

1 Claim, 5 Drawing Sheets

(56) **References Cited**
U.S. PATENT DOCUMENTS
2,538,662 A 1/1951 Abbott
D252,470 S 7/1979 Pawlak
D259,278 S 5/1981 McCaw et al.
4,385,025 A 5/1983 Salerno et al.
D283,725 S 5/1986 Mahoney
4,685,876 A 8/1987 Loscei
D300,361 S 3/1989 Tokarz
5,033,476 A 7/1991 Kasai
5,135,492 A 8/1992 Melker et al.



(56)

References Cited

U.S. PATENT DOCUMENTS

5,699,821	A	12/1997	Paradis	
5,730,418	A	3/1998	Feith et al.	
RE35,841	E	7/1998	Frank	
5,820,601	A	10/1998	Mayer	
6,036,171	A	3/2000	Weinheimer et al.	
6,039,302	A	3/2000	Cote et al.	
6,079,432	A	6/2000	Paradis	
D429,526	S *	8/2000	Sullivan et al.	D24/133
6,095,986	A *	8/2000	Braig et al.	600/532
6,171,287	B1	1/2001	Lynn et al.	
6,371,936	B1	4/2002	Heidick	
6,379,340	B1	4/2002	Zinger et al.	
D478,662	S	8/2003	Flinchbaugh	
6,605,076	B1	8/2003	Jepson et al.	
D482,447	S	11/2003	Harding et al.	
6,651,956	B2	11/2003	Miller	
D488,864	S *	4/2004	Fago et al.	D24/121
6,991,215	B2	1/2006	Kiehne	
7,691,066	B2 *	4/2010	Kosaku	600/461
7,811,278	B2	10/2010	Knipple et al.	
D652,510	S	1/2012	Lombardi et al.	
D653,337	S *	1/2012	Kampa et al.	D24/130
D655,004	S *	2/2012	Ruiz et al.	D24/133
D657,056	S *	4/2012	Burgess et al.	D24/129
D669,578	S *	10/2012	Burgess et al.	D24/129
D675,318	S *	1/2013	Luk et al.	D24/130
D677,785	S *	3/2013	Stones et al.	D24/113
D685,100	S *	6/2013	Shinohara et al.	D24/186
8,512,313	B2 *	8/2013	Atkinson et al.	604/544
D718,436	S *	11/2014	Redol	D24/113
2001/0054423	A1	12/2001	Gray	
2004/0082370	A1	4/2004	Gahl et al.	
2004/0215158	A1	10/2004	Anderson	
2006/0138697	A1	6/2006	Lorenz et al.	
2006/0217671	A1	9/2006	Peppel	
2006/0252997	A1	11/2006	Wilk	
2006/0264898	A1	11/2006	Beasley et al.	
2011/0082431	A1	4/2011	Burgess et al.	
2012/0041391	A1	2/2012	Fangrow et al.	

OTHER PUBLICATIONS

Osinski, Bradley J., "NonFinal Office Action", U.S. Appl. No. 12/572,708, filed Oct. 2, 2009; Mailed Jan. 26, 2012.

Goodman, Eric L., "Restriction Requirement", U.S. Appl. No. 29/407,332, filed Nov. 28, 2011; Mailed Mar. 2, 2012.

Goodman, Eric L., "Notice of Allowance", U.S. Appl. No. 29/407,332, filed Nov. 28, 2011; Mailed Apr. 20, 2012.

Osinski, Bradley J., "Final Office Action", U.S. Appl. No. 12/572,708, filed Oct. 2, 2009; Mailed Sep. 5, 2012.

Osinski, Bradley J., "NonFinal OA", U.S. Appl. No. 12/572,708, filed Oct. 2, 2009; Mailed Aug. 16, 2013.

"Notice of Allowance", U.S. Appl. No. 12/572,708, filed Oct. 2, 2009; Mailed Feb. 21, 2014.

"Medline Catalog", *3-Port IV Adapter by Baxter*; *Medline Catalog*; <http://www.medline.com/catalog/catalog.jsp>; Unknown Publication date but believed to be prior to present application filing date.

"Medline Catalog", *3-Port Manifold, Port Check Valves by Baxter*; *Medline Catalog*; <http://www.medline.com/catalog/catalog.jsp>; Unknown Publication date but believed to be prior to present application filing date.

"Medline Catalog", *Cap Stopcock Port Protector Strl Disp by Argon Medical Devices*; *Medline Catalog*; <http://www.medline.com/catalog/catalog.jsp>; Unknown Publication date but believed to be prior to present application filing date.

"Medline Catalog", *Discofix Stopcocks by B Braun Medical*; *Medline Catalog*; <http://www.medline.com/catalog/catalog.jsp>; Unknown Publication date but believed to be prior to present application filing date.

"Medline Catalog", *Extension Set w/Clearlink Activated Valve by Baxter Healthcare*; *Medline Catalog*; <http://www.medline.com/catalog/catalog.jsp>; Unknown Publication date but believed to be prior to present application filing date.

"Medline Catalog", *Interlink Extension Sets by Baxter*; *Medline Catalog*; <http://www.medline.com/catalog/catalog.jsp>; Unknown Publication date but believed to be prior to present application filing date.

"Medline Catalog", *Kangaroo Y-Port/PEG Adapter by Covidien*; *Medline Catalog*; <http://www.medline.com/catalog/catalog.jsp>; Unknown Publication date but believed to be prior to present application filing date.

"Medline Catalog", *Mini-Bore IV Extension Sets by Nexus*; *Medline Catalog*; <http://www.medline.com/catalog/catalog.jsp>; Unknown Publication date but believed to be prior to present application filing date.

"Medline Catalog", *Multi-way Stopcock Manifolds by Smith Medical*; *Medline Catalog*; <http://www.medline.com/catalog/catalog.jsp>; Unknown Publication date but believed to be prior to present application filing date.

"Medline Catalog", *Primary Administration Sets by ICU Medical*; *Medline Catalog*; <http://www.medline.com/catalog/catalog.jsp>; Unknown Publication date but believed to be prior to present application filing date.

"Medline Catalog", *Pump Module Primary Admin Sets by Carefusion*; *Medline Catalog*; <http://www.medline.com/catalog/catalog.jsp>; Unknown Publication date but believed to be prior to present application filing date.

"Medline Catalog", *SmartSite Add-on Access Device by Carefusion*; *Medline Catalog*; <http://www.medline.com/catalog/catalog.jsp>; Unknown Publication date but believed to be prior to present application filing date.

"Medline Catalog", *Specialty Extension Sets (T-Connector) by Carefusion*; *Medline Catalog*; <http://www.medline.com/catalog/catalog.jsp>; Unknown Publication date but believed to be prior to present application filing date.

"Multi Shot Molding Techniques, Multi Shot Molded Products and Tooling". *Multi Shot Molding Techniques, Multi Shot Molded Products and Tooling*. Plastemart, Jun. 18, 2007. Web Dec. 5, 2016.

Willett, Taryn "NonFinal OA", U.S. Appl. No. 14/283,449, filed May 21, 2014; Mailed Dec. 14, 2016.

* cited by examiner

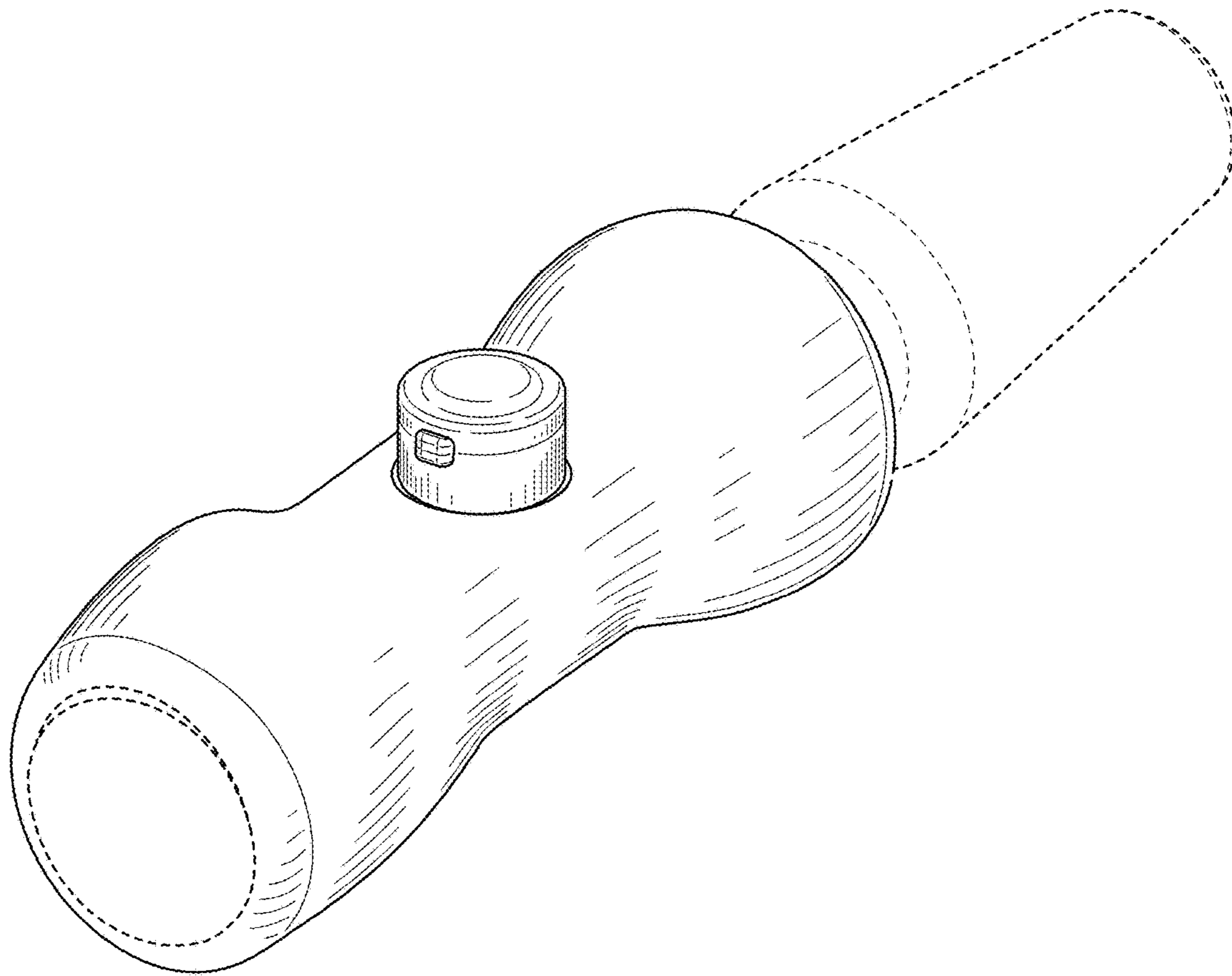


FIG. 1

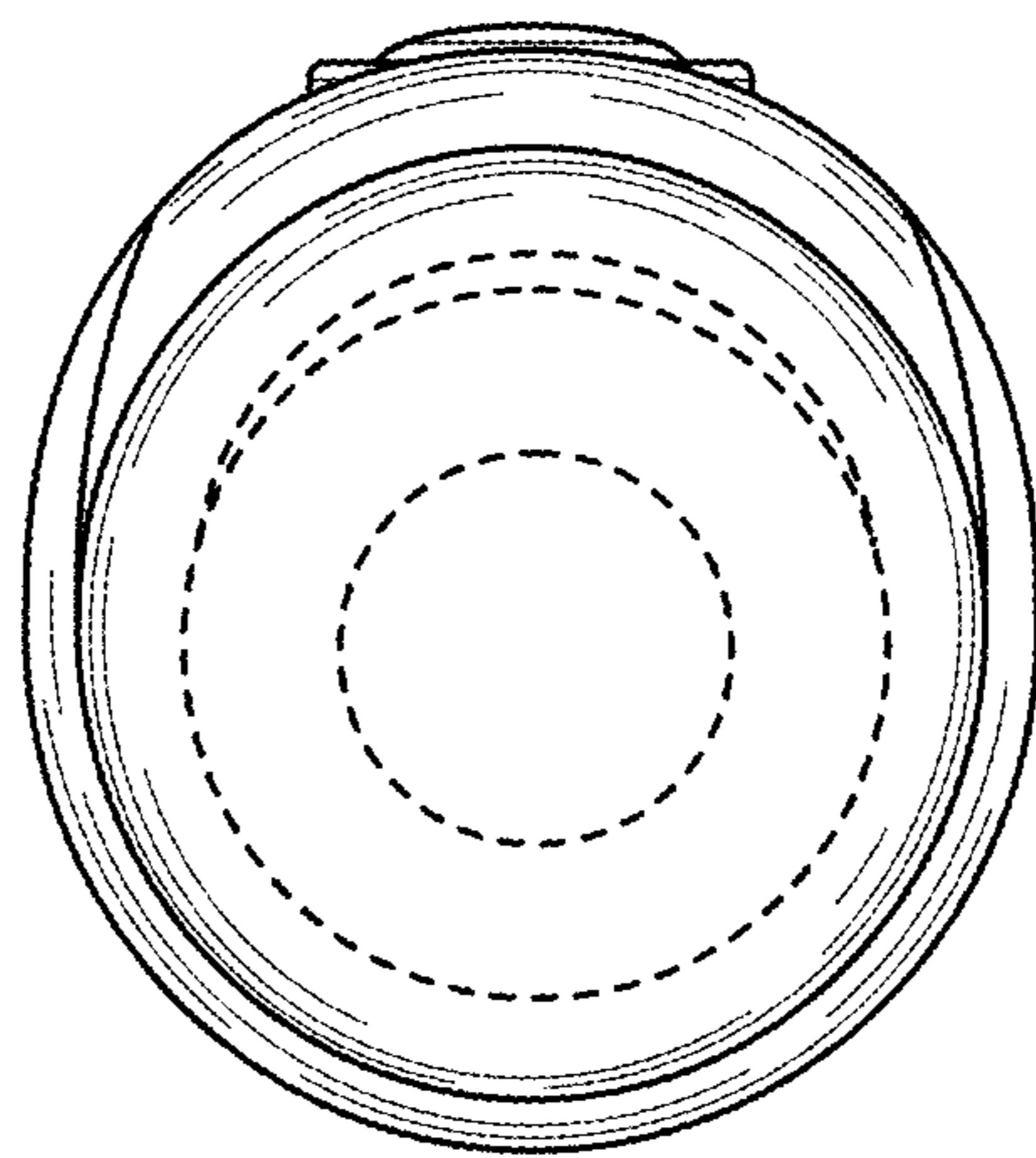


FIG. 2

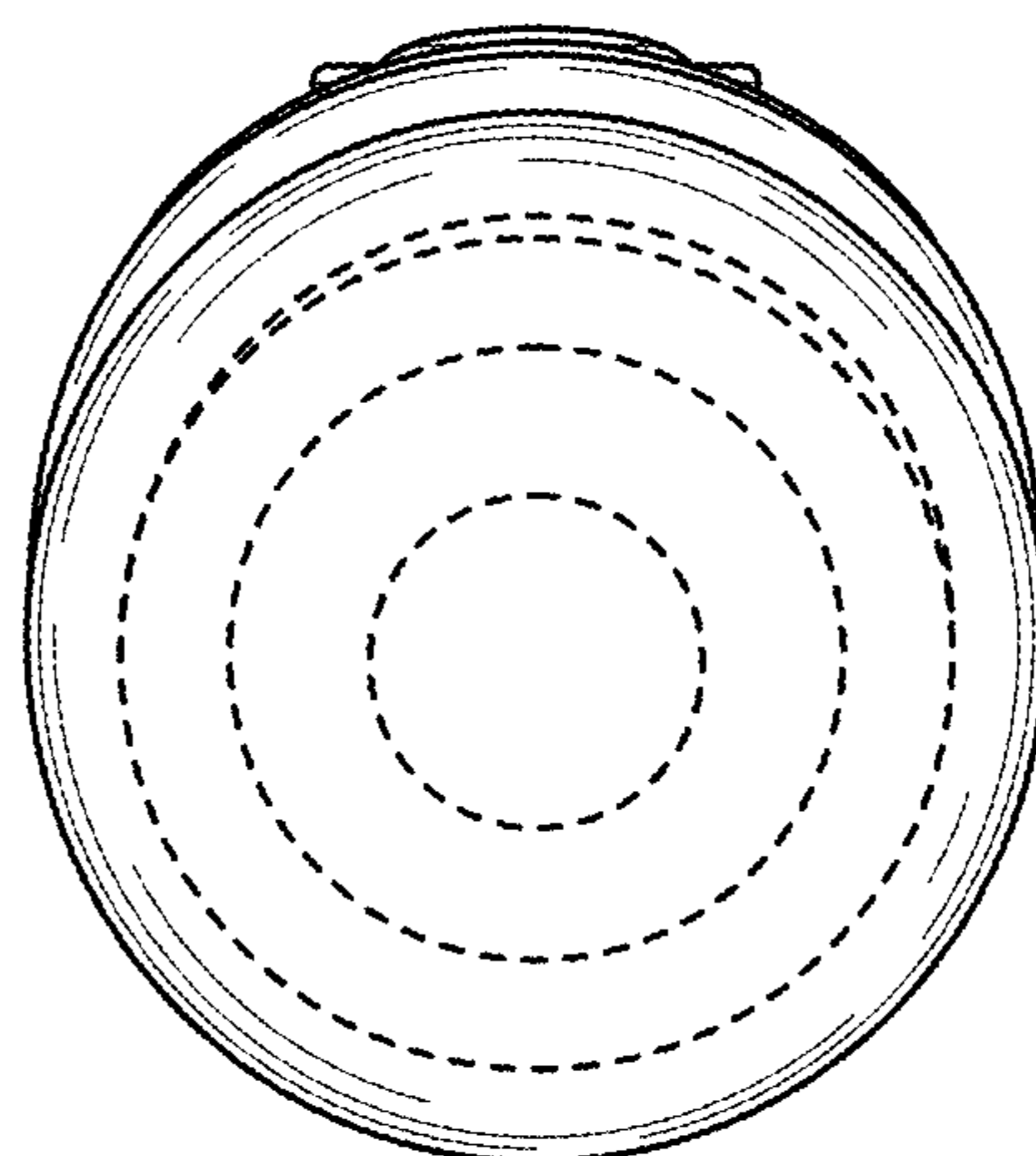


FIG. 3

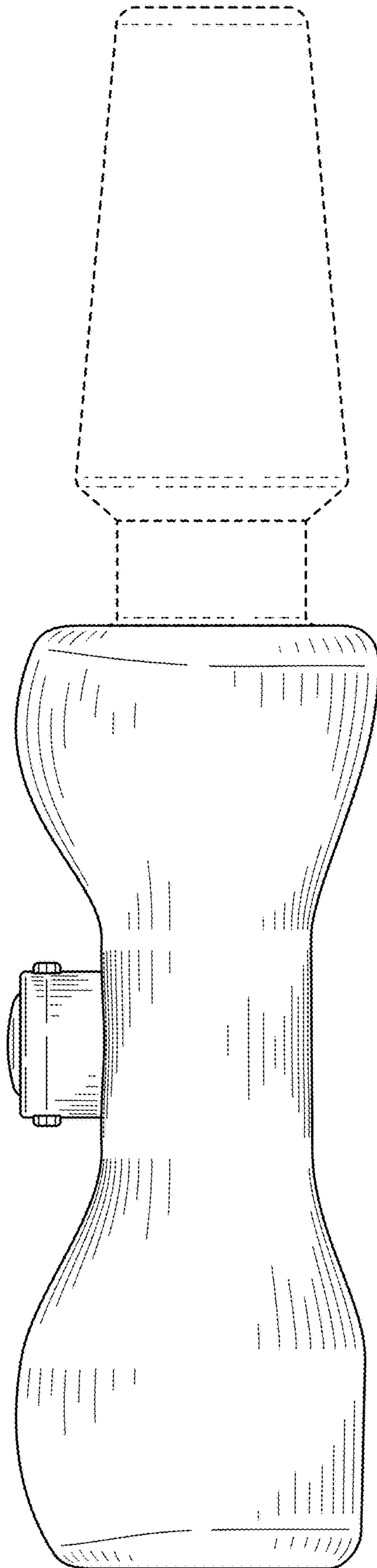


FIG. 4

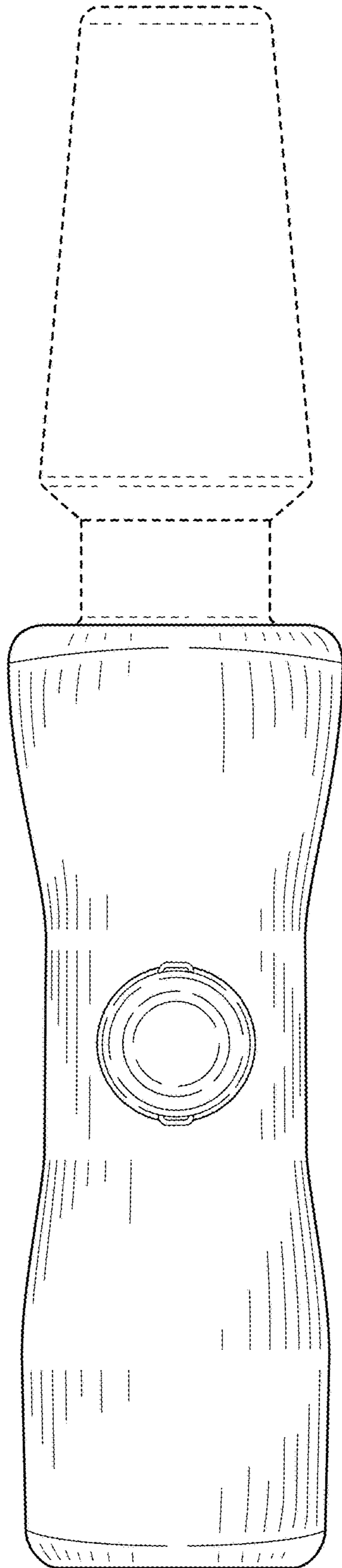


FIG. 5

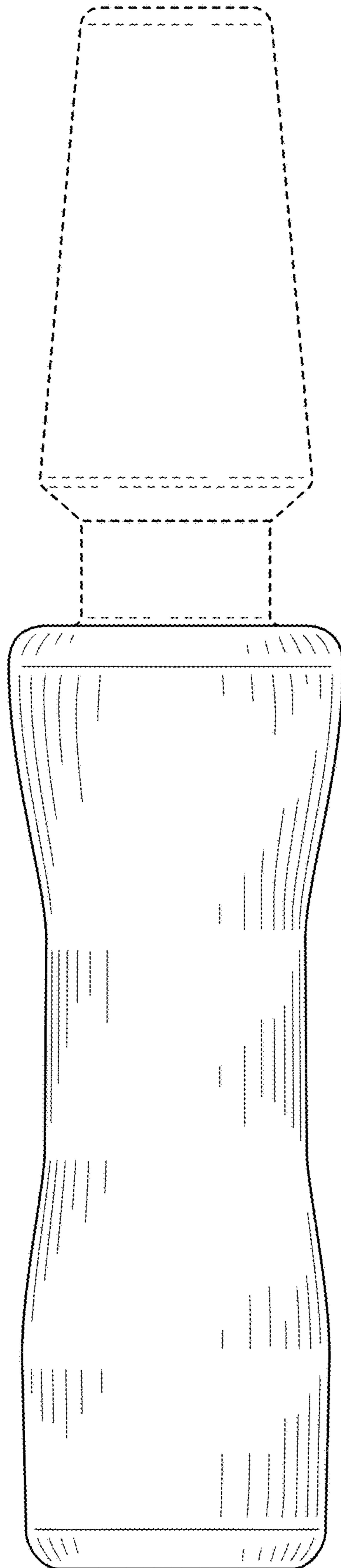


FIG. 6