



US00D784527S

(12) **United States Design Patent**  
**Llewellyn-Hyde et al.**

(10) **Patent No.:** **US D784,527 S**  
(45) **Date of Patent:** **\*\* Apr. 18, 2017**

- (54) **MEDICAL SHIELD REMOVER**
- (71) Applicant: **Becton Dickinson France, Le Pont-de-Claix (FR)**
- (72) Inventors: **David Llewellyn-Hyde, Basingstoke (GB); Guillaume Grunhut, Grenoble (FR)**
- (73) Assignee: **Becton Dickinson France, Le Pont-de-Claix (FR)**
- (\*\*) Term: **15 Years**
- (21) Appl. No.: **29/556,958**
- (22) Filed: **Mar. 4, 2016**
- (51) **LOC (10) Cl.** ..... **24-02**
- (52) **U.S. Cl.**  
USPC ..... **D24/127**
- (58) **Field of Classification Search**  
USPC ..... D24/127-131, 112-114, 133, 186;  
606/181, 185; 604/506, 264, 523-528,  
604/272, 187, 158, 164.01-164.11, 181,  
604/184, 227; 600/101, 139, 143;  
128/200.24, 207.14, 207.15  
CPC .. A61M 25/065; A61M 5/42; A61M 25/0612;  
A61M 25/00; A61M 39/00; A61M 27/00;  
A61M 25/0043; A61M 25/0067; A61M  
25/0097; A61F 2/958  
See application file for complete search history.

5,647,849 A 7/1997 Kalin  
D427,308 S 6/2000 Zinger  
D473,646 S 4/2003 Baillargeon et al.  
6,582,397 B2 6/2003 Alesi et al.  
(Continued)

**OTHER PUBLICATIONS**

Corbin, J-V et al., "Medical Injector with Enhanced Grip", Design U.S. Appl. No. 29/547,831, filed Dec. 8, 2015, 6 pp.  
(Continued)

*Primary Examiner* — David Muller  
(74) *Attorney, Agent, or Firm* — The Webb Law Firm

(57) **CLAIM**

The ornamental design for a medical shield remover, as shown and described.

**DESCRIPTION**

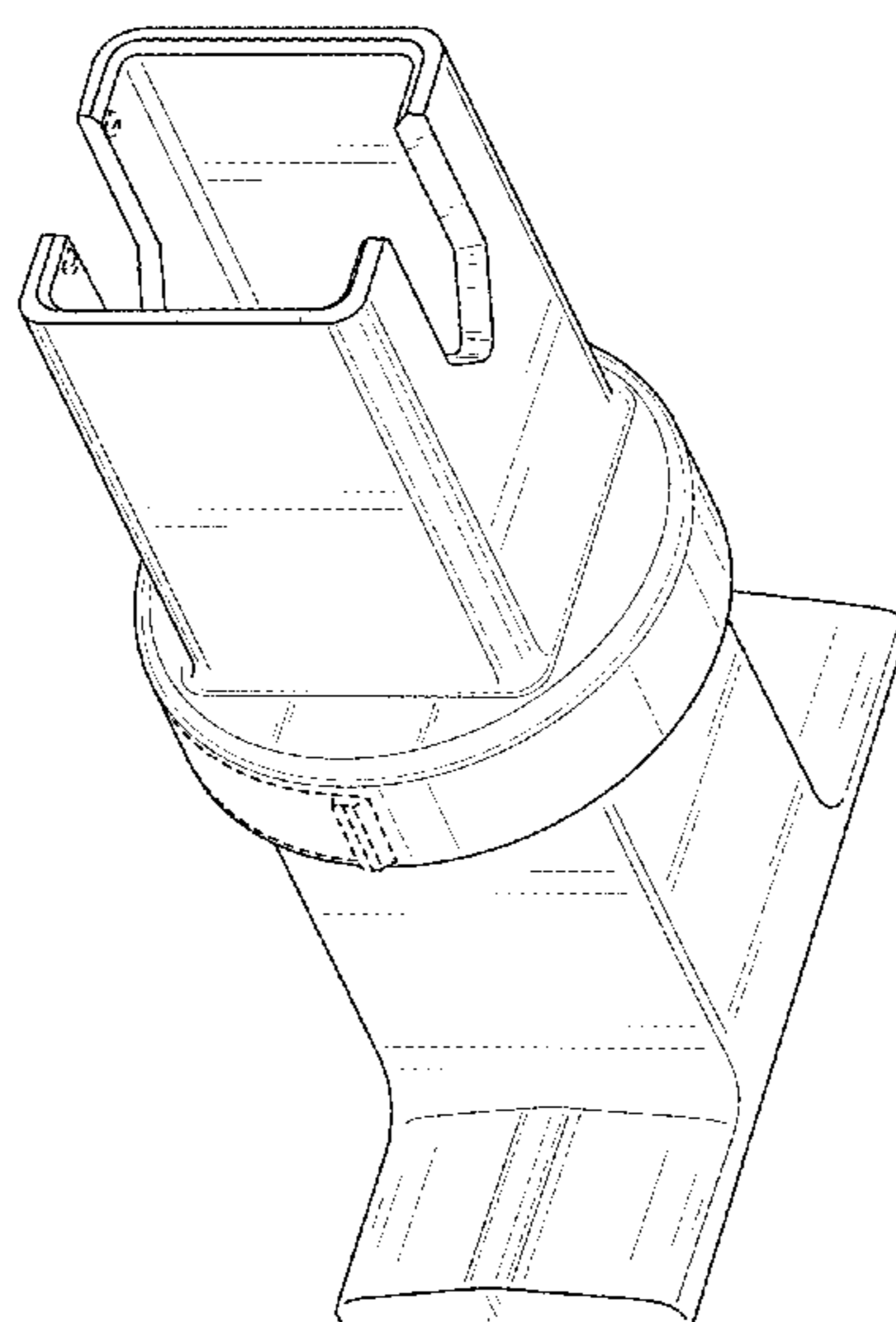
FIG. 1 is a top perspective view of a medical shield remover, in accordance with the present design;  
FIG. 2 is a bottom perspective view thereof;  
FIG. 3 is a front elevation view thereof;  
FIG. 4 is a right side elevation view thereof;  
FIG. 5 is a rear elevation view thereof;  
FIG. 6 is a left side elevation view thereof;  
FIG. 7 is a top plan view thereof;  
FIG. 8 is a bottom plan view thereof;  
FIG. 9 is a front elevation view thereof, with a syringe inserted therein;  
FIG. 10 is a top perspective view thereof, with a syringe inserted therein; and,  
FIG. 11 is a bottom perspective view thereof, with a syringe inserted therein.  
Portions of the medical shield remover shown in dashed lines in FIGS. 1-11 depict unclaimed portions of the medical shield remover that are included for environmental purposes only.

**1 Claim, 10 Drawing Sheets**

(56) **References Cited**

**U.S. PATENT DOCUMENTS**

- D239,021 S 3/1976 D'Alo
- 4,365,626 A 12/1982 House
- 4,832,695 A 5/1989 Rosenberg et al.
- 4,929,232 A 5/1990 Sweeney et al.
- D337,157 S 7/1993 Ortiz
- D375,788 S 11/1996 Potts et al.
- D380,262 S 6/1997 Van Funderburk et al.



(56)

**References Cited**

U.S. PATENT DOCUMENTS

D483,487	S	12/2003	Harding et al.	
D492,774	S	7/2004	Cindrich et al.	
D497,990	S	11/2004	Jutila	
D505,200	S	5/2005	Simpson et al.	
D605,755	S *	12/2009	Baxter .....	D24/127
D607,558	S	1/2010	Abry et al.	
D629,510	S	12/2010	Grunhut	
D642,261	S *	7/2011	York .....	D24/130
D679,008	S *	3/2013	Schroeder .....	D24/129
D702,343	S *	4/2014	Dale .....	D24/129
D702,835	S *	4/2014	Vinchon .....	D24/130
D718,439	S *	11/2014	Woehr .....	D24/130
D738,494	S *	9/2015	Kashmirian .....	D24/127
D750,239	S *	2/2016	Pappalardo .....	D24/130
D750,258	S *	2/2016	Crossley .....	D24/129
D757,258	S *	5/2016	Weißhaupt .....	D24/127
D760,891	S *	7/2016	Nakamura .....	D24/114
D765,241	S *	8/2016	Holland .....	D24/114
D768,851	S *	10/2016	Rozwadowski .....	D24/130
2001/0044606	A1	11/2001	Inkpen et al.	
2004/0133172	A1	7/2004	Wilkinson	
2004/0210197	A1	10/2004	Conway	
2008/0228147	A1	9/2008	David-Hegerich et al.	
2009/0312705	A1	12/2009	Grunhut et al.	

OTHER PUBLICATIONS

Corbin, J-V et al., "T-Shaped Cap for a Medical Injector", Design U.S. Appl. No. 29/547,832, filed Dec. 8, 2015, 9 pp.

Nguyen, E., "Cap for a Medical Injector Having a Hemispherical Portion", Design U.S. Appl. No. 29/547,834, filed Dec. 8, 2015, 9 pp.

Nguyen, E., "T-Shaped Cap for a Medical Injector", Design U.S. Appl. No. 29/547,839, filed Dec. 8, 2015, 9 pp.

\* cited by examiner

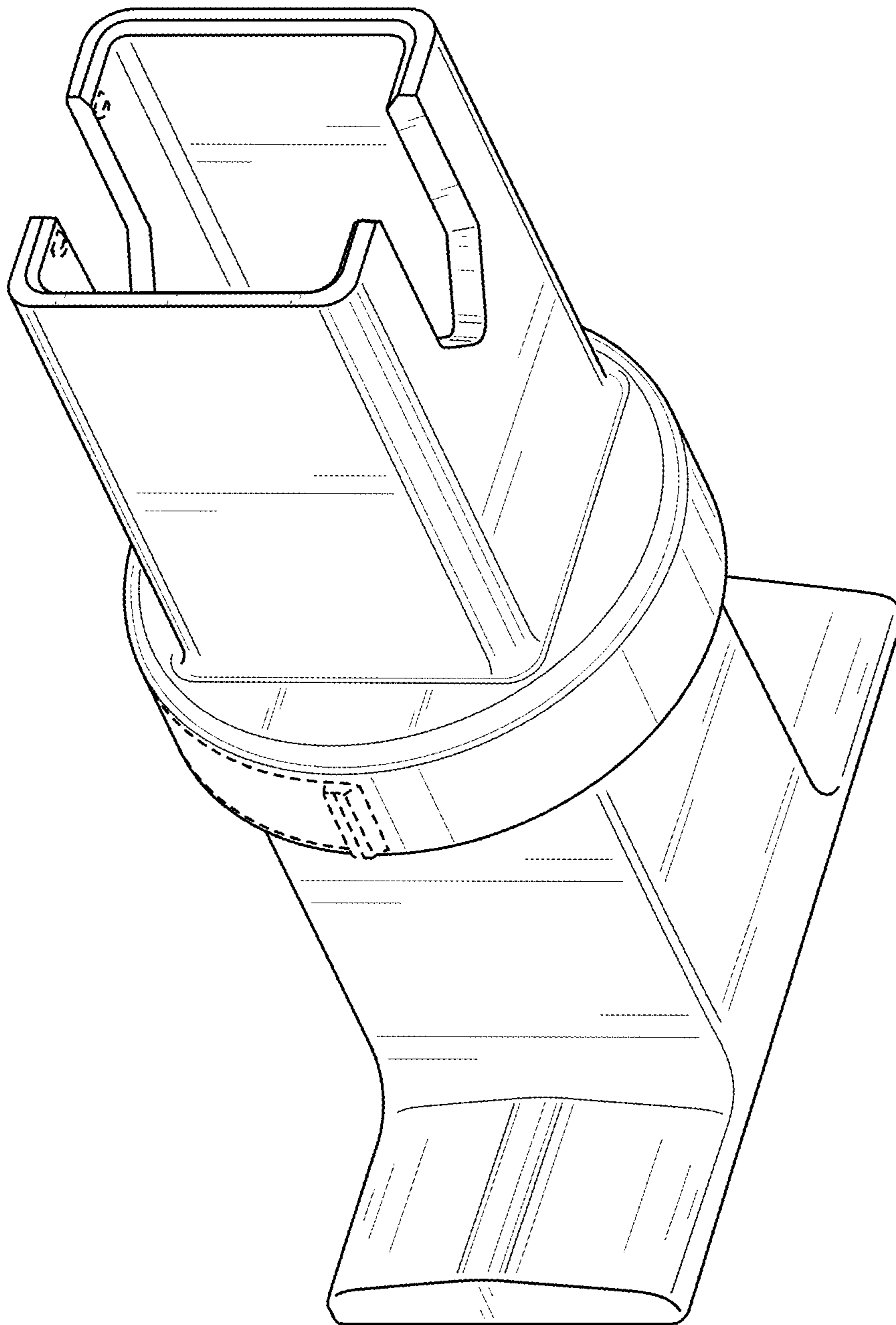


FIG. 1

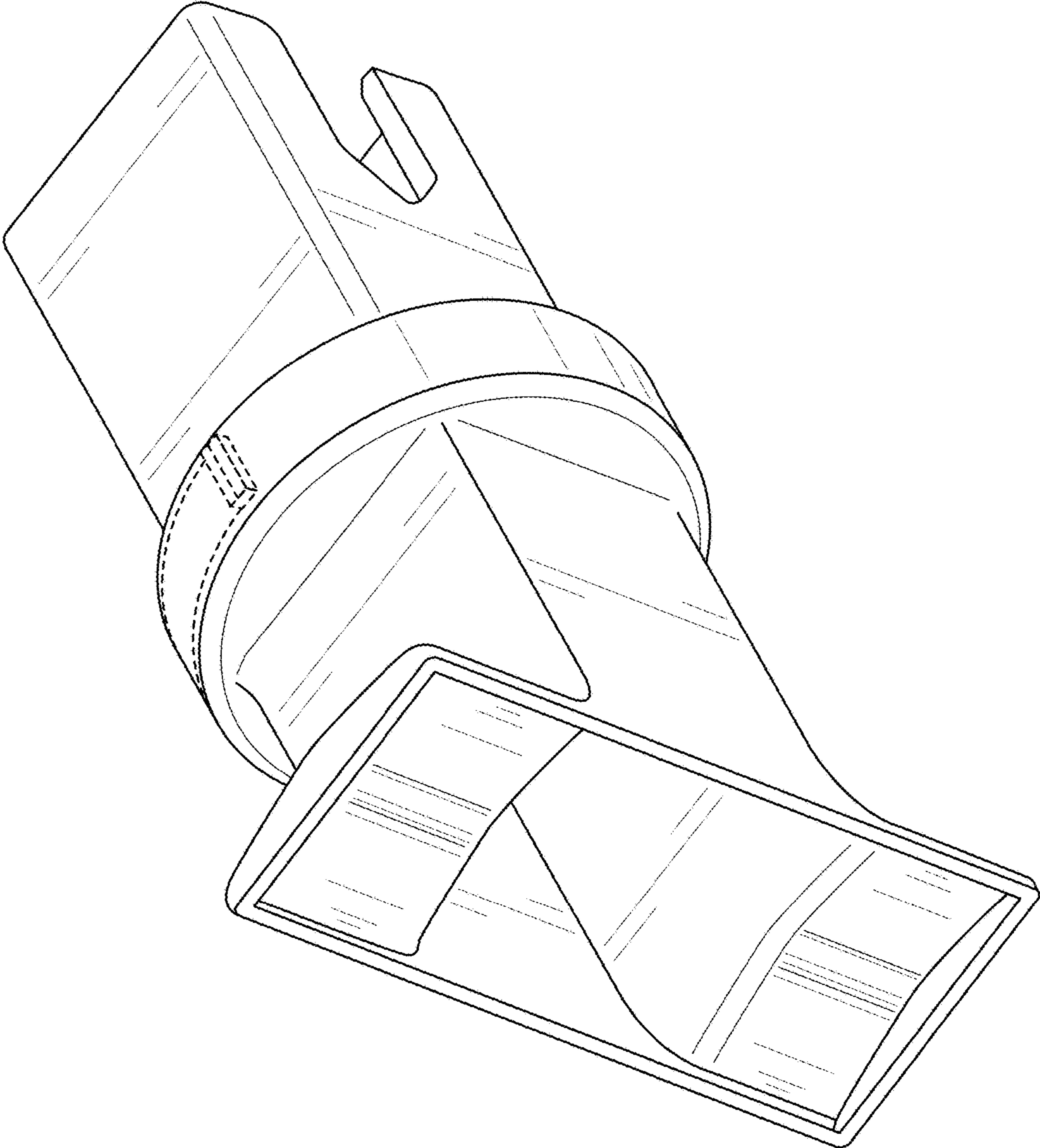


FIG. 2

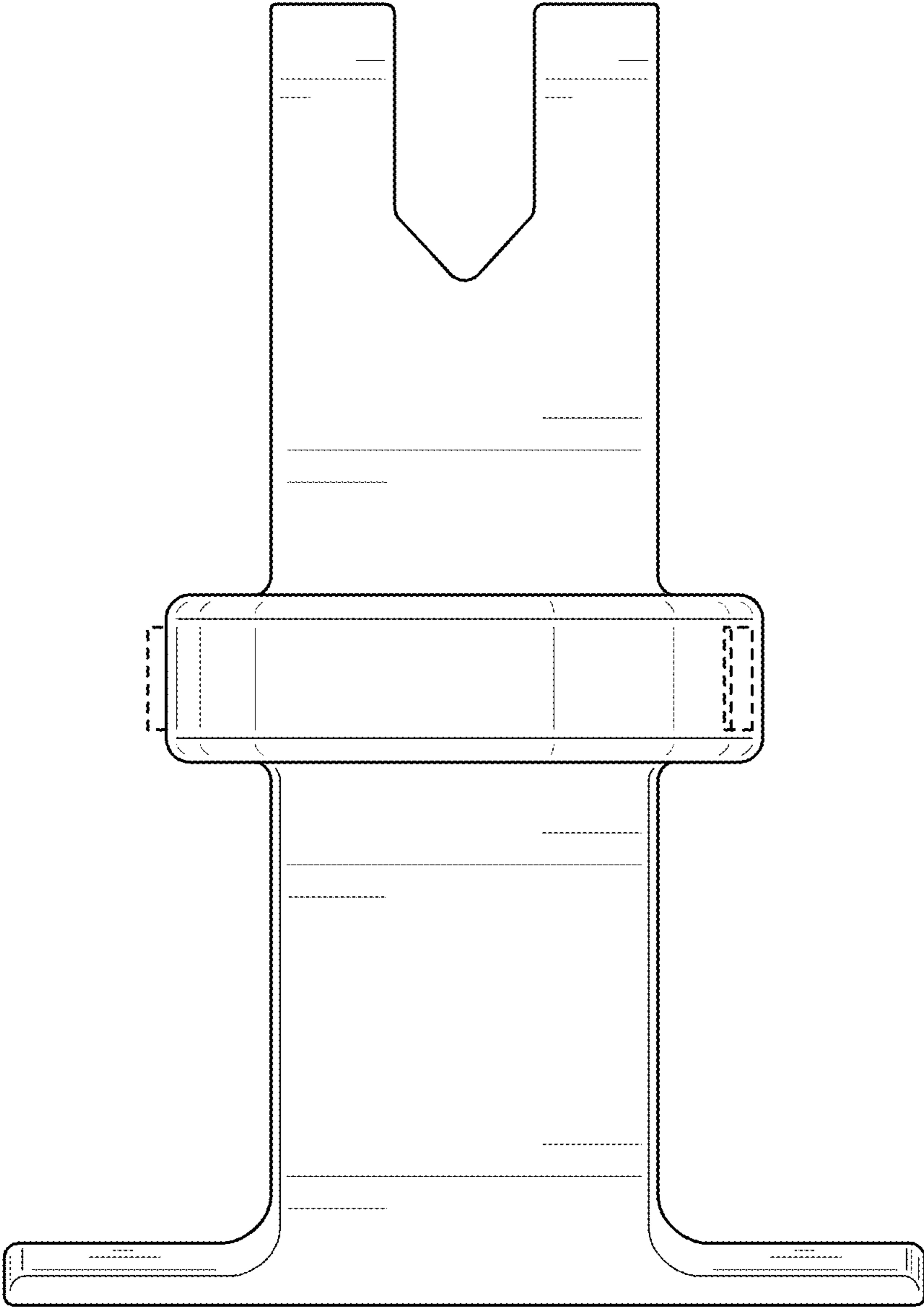


FIG. 3

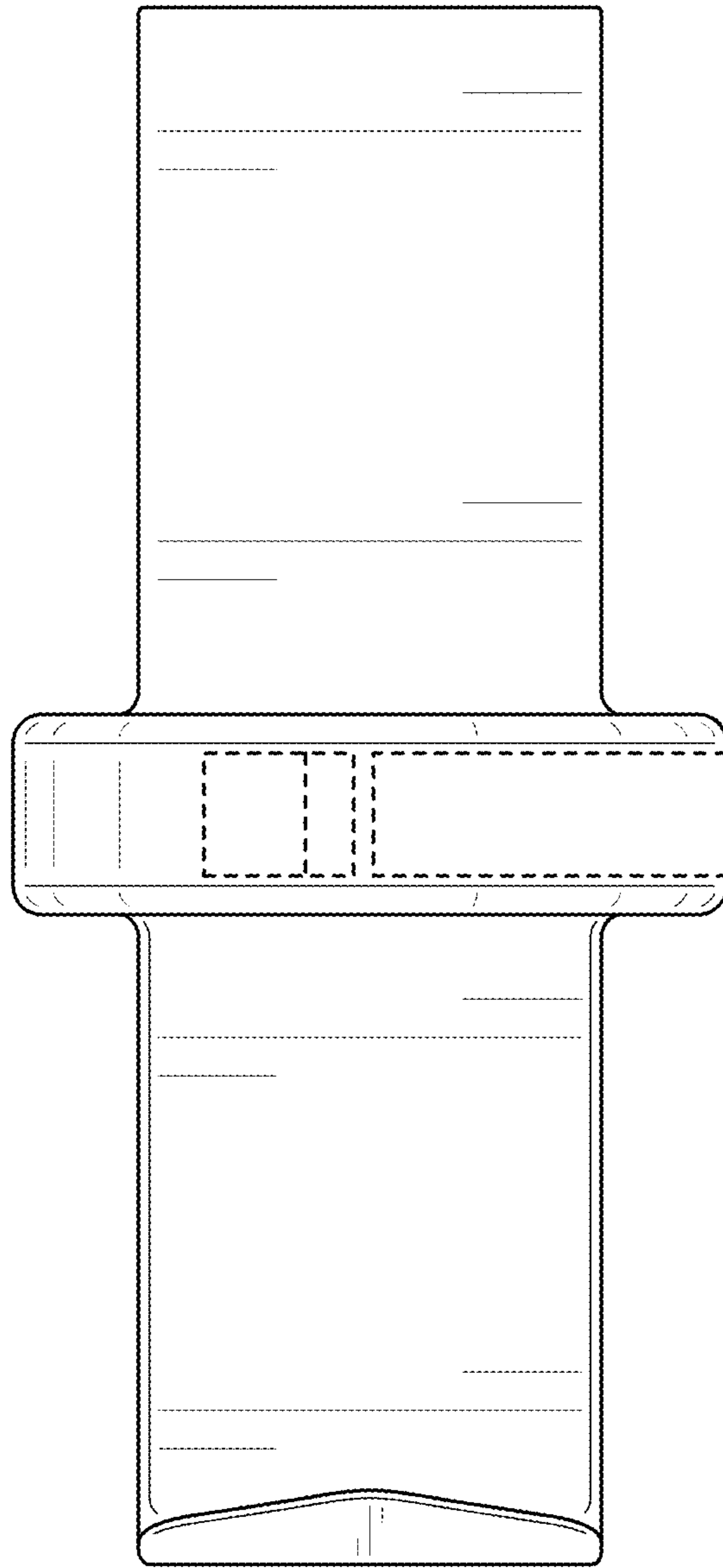


FIG. 4

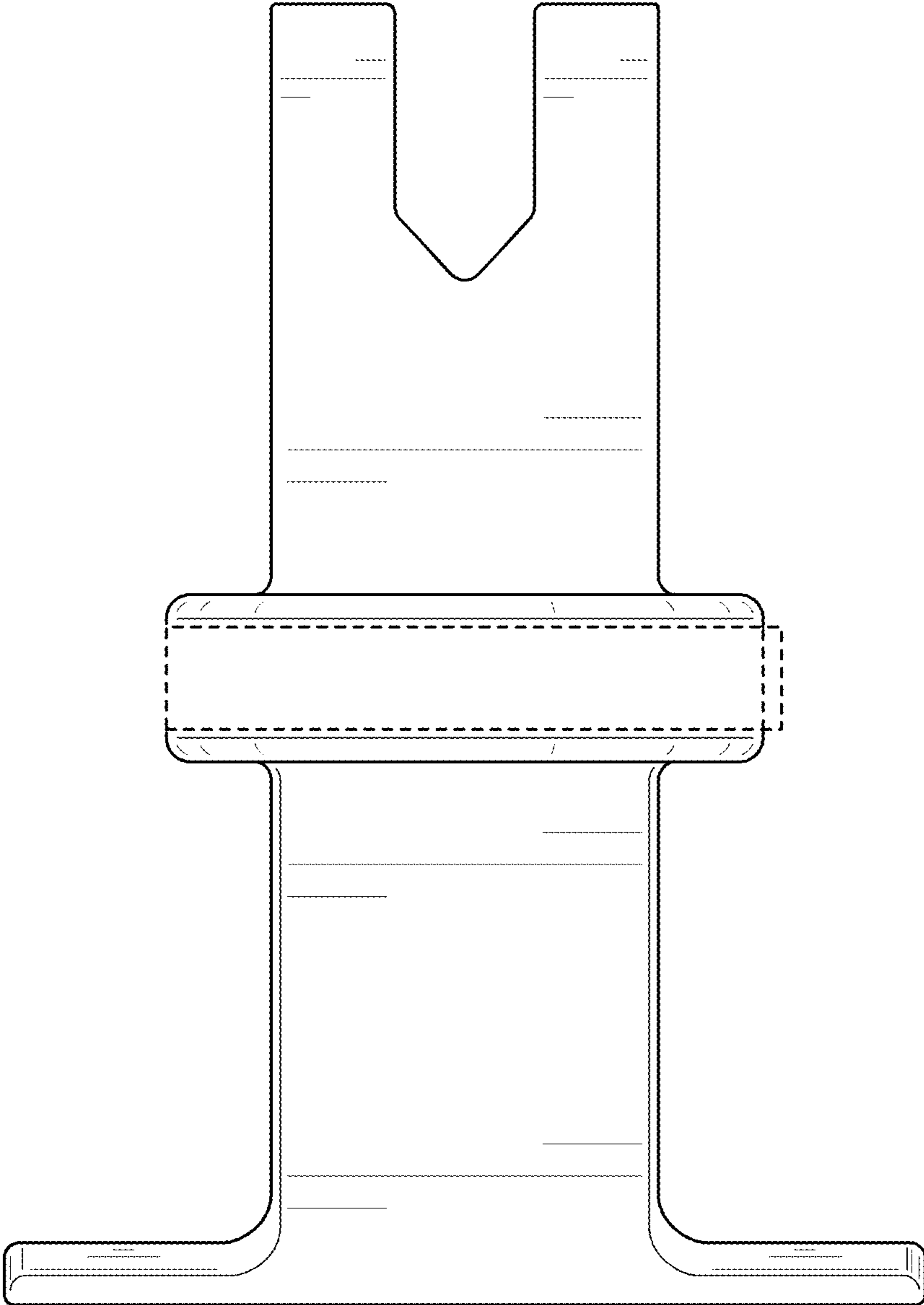


FIG. 5

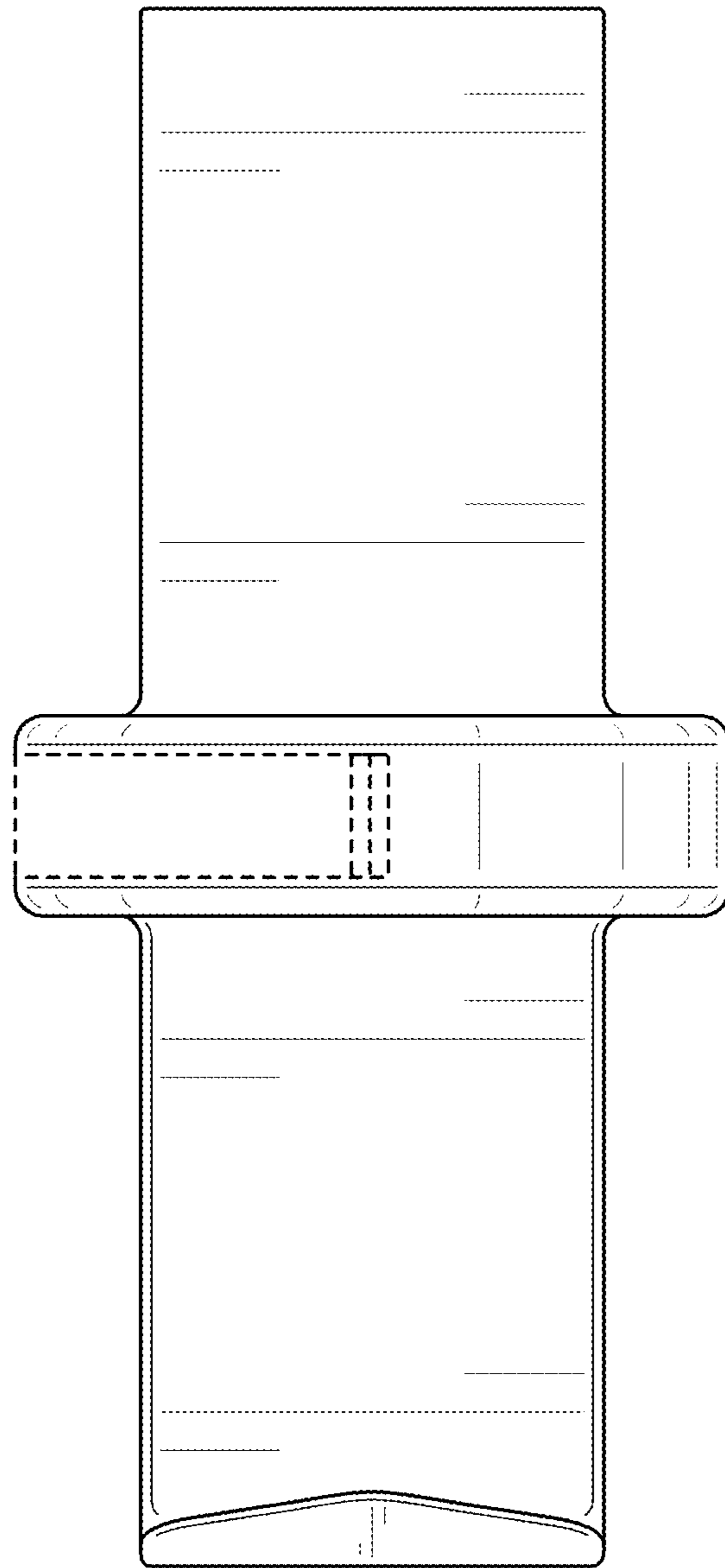


FIG. 6



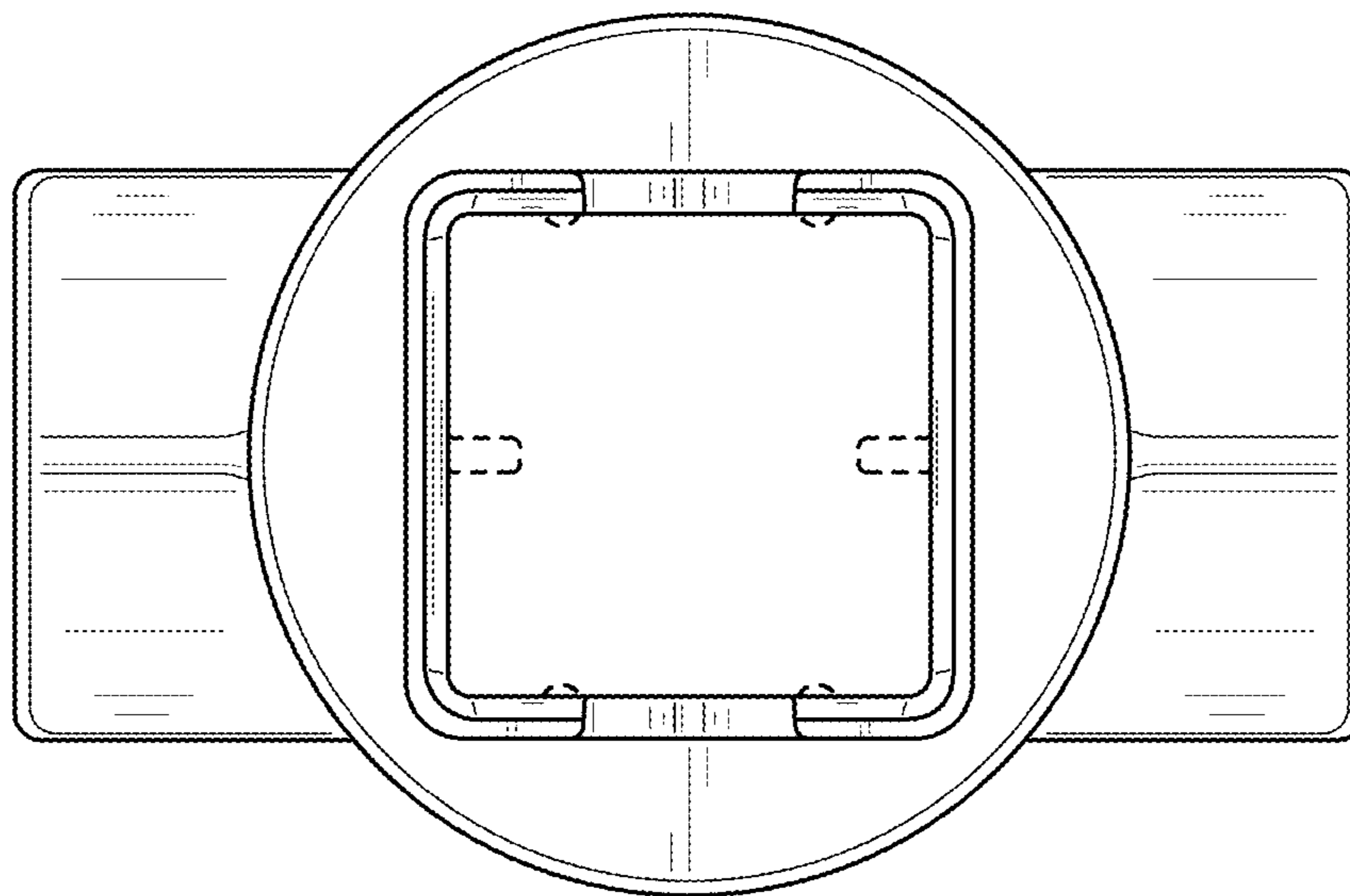


FIG. 7

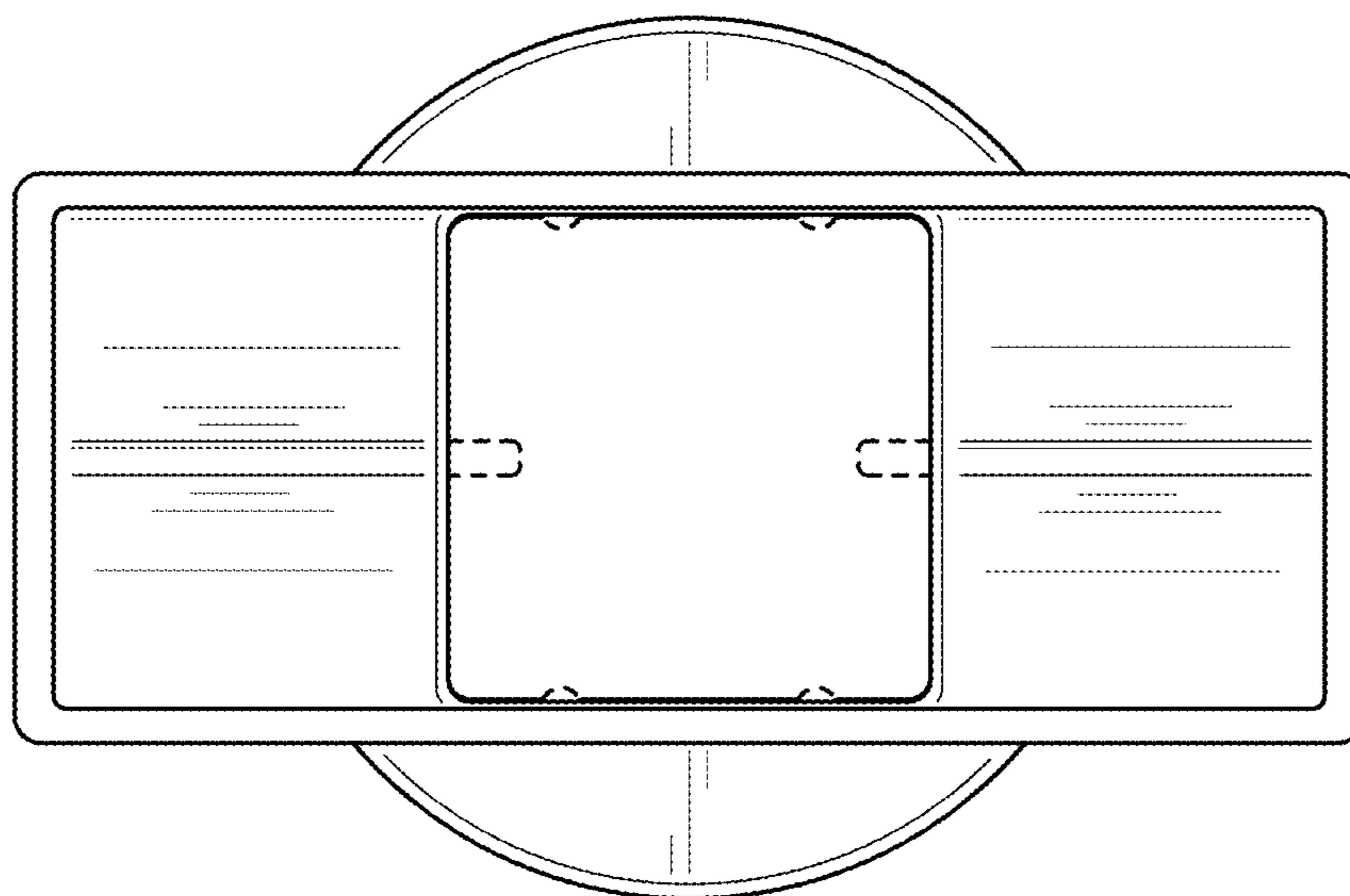


FIG. 8

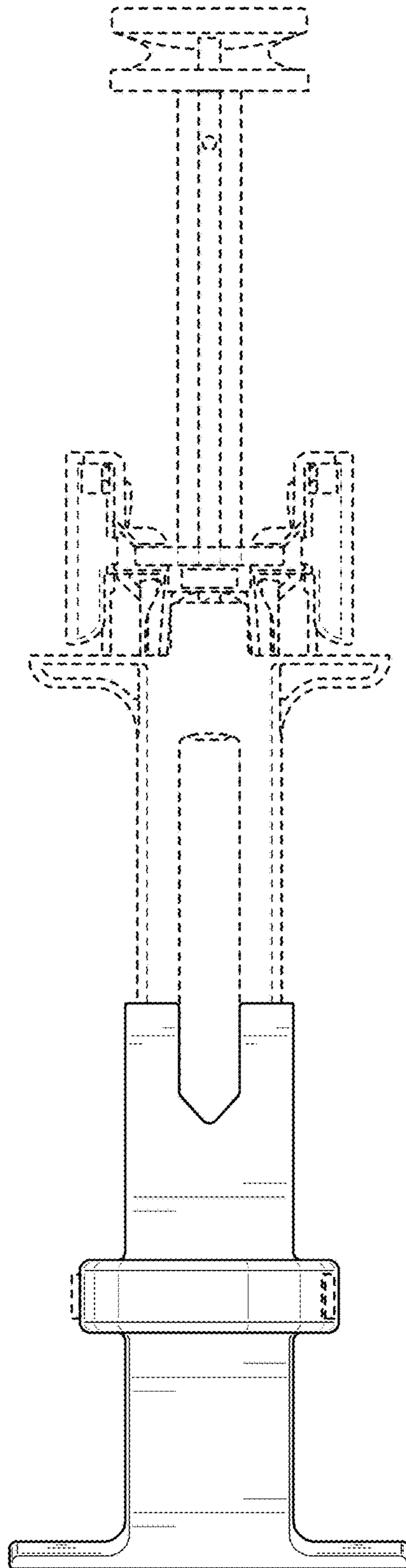


FIG. 9

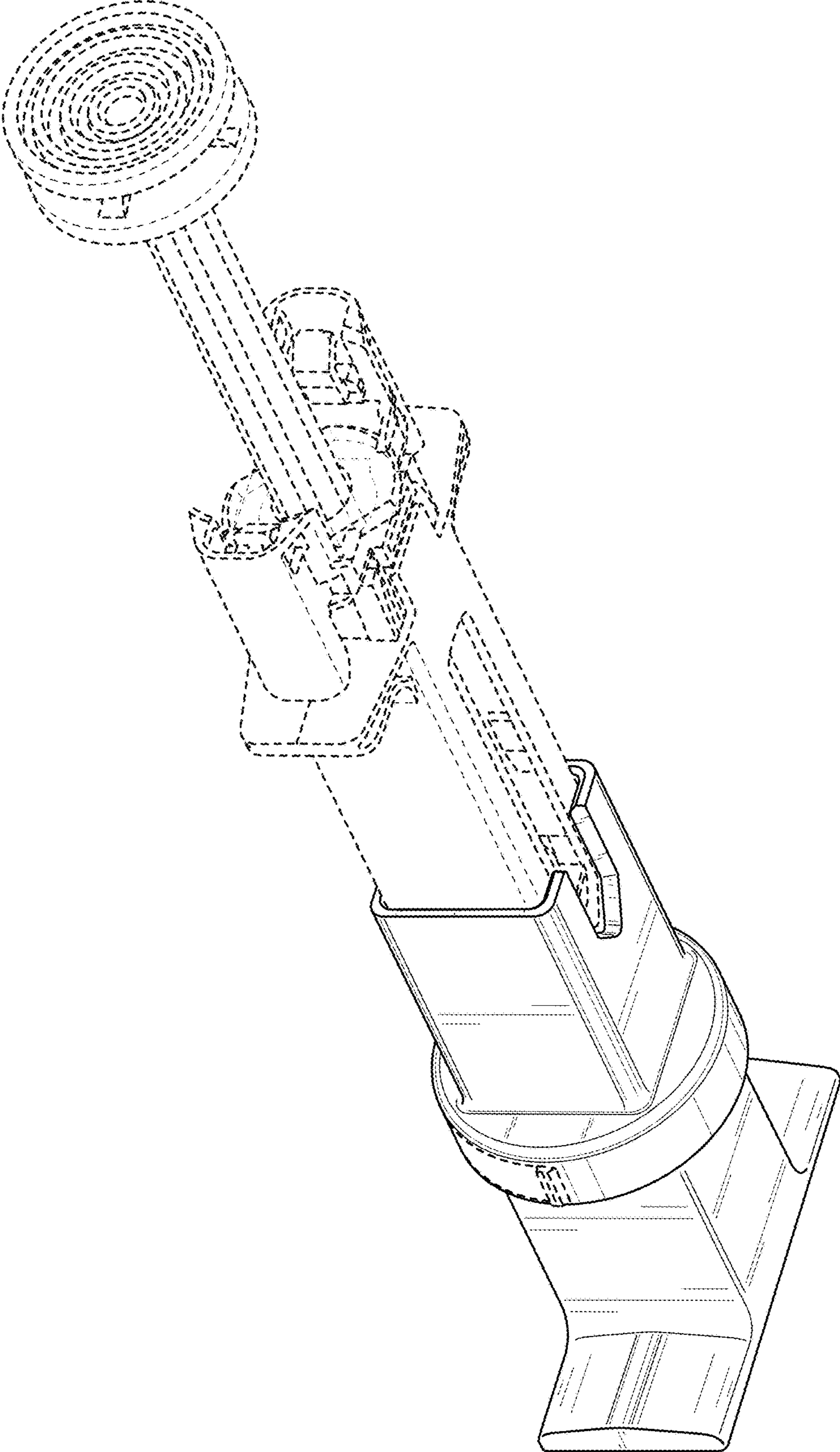


FIG. 10

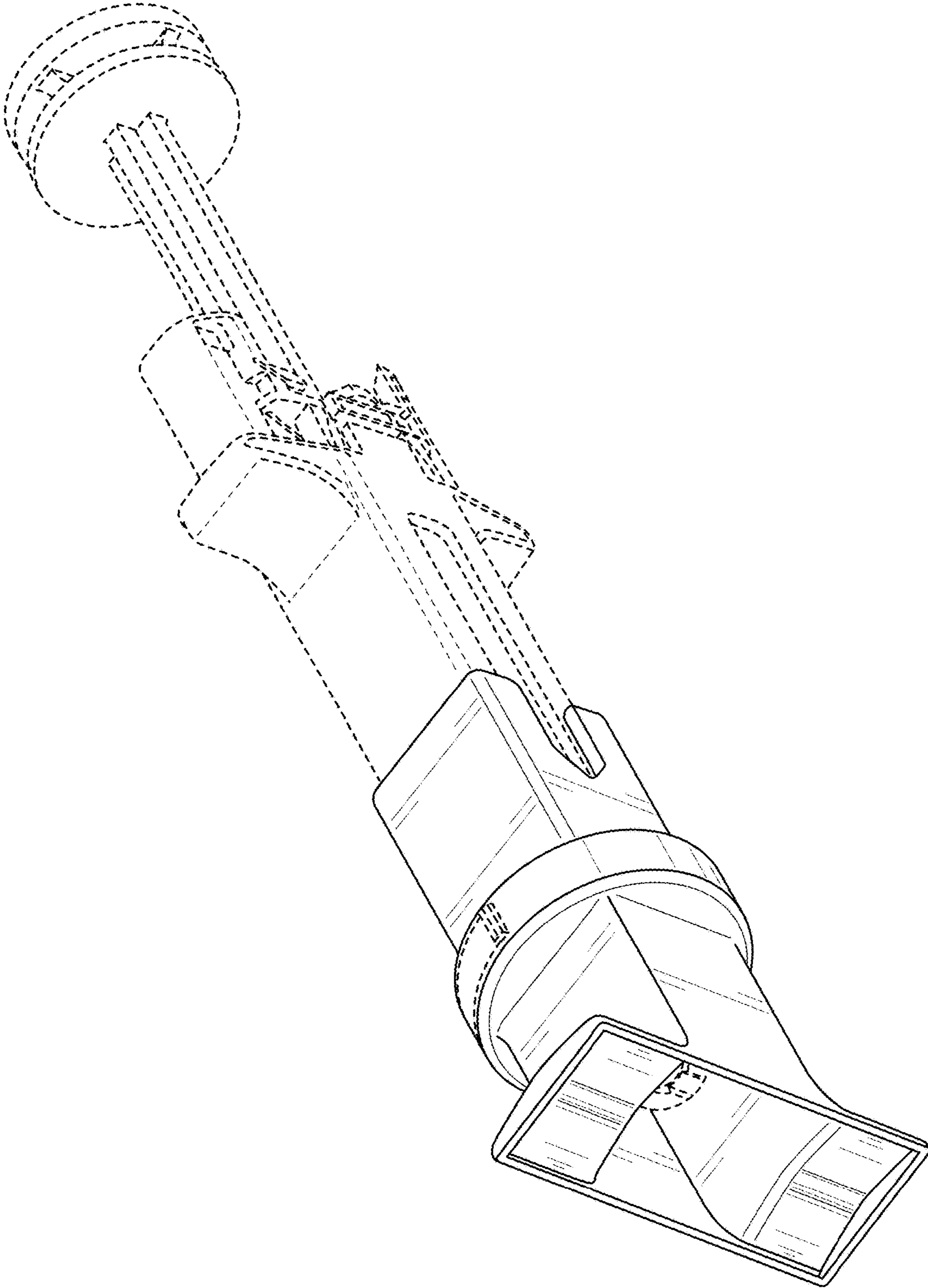


FIG. 11