



US00D784526S

(12) **United States Design Patent**  
**Grunhut**

(10) **Patent No.:** **US D784,526 S**

(45) **Date of Patent:** **\*\* Apr. 18, 2017**

(54) **MEDICAL SHIELD REMOVER**

D483,487 S 12/2003 Harding et al.  
D492,774 S 7/2004 Cindrich et al.  
D497,990 S 11/2004 Jutila

(71) Applicant: **Becton Dickinson France, Le**  
Pont-de-Claix (FR)

(Continued)

(72) Inventor: **Guillaume Grunhut, Grenoble (FR)**

**OTHER PUBLICATIONS**

(73) Assignee: **Becton Dickinson France, Le**  
Pont-de-Claix (FR)

Corbin, J-V et al., "Medical Injector with Enhanced Grip", Design  
U.S. Appl. No. 29/547,831, filed Dec. 8, 2015, 6 pp.

(Continued)

(\*\*) Term: **15 Years**

*Primary Examiner* — David Muller

(21) Appl. No.: **29/556,955**

(74) *Attorney, Agent, or Firm* — The Webb Law Firm

(22) Filed: **Mar. 4, 2016**

(51) **LOC (10) Cl.** ..... **24-02**

(52) **U.S. Cl.**  
USPC ..... **D24/127**

(58) **Field of Classification Search**  
USPC ..... D24/127–131, 112–114, 133, 186;  
606/181, 185; 604/506, 264, 523–528,  
604/272, 187, 158, 164.01–164.11, 181,  
604/184, 227; 600/101, 139, 143;  
128/200.24, 207.14, 207.15  
CPC .. A61M 25/065; A61M 5/42; A61M 25/0612;  
A61M 25/00; A61M 39/00; A61M 27/00;  
A61M 25/0043; A61M 25/0067; A61M  
25/0097; A61F 2/958  
See application file for complete search history.

(57) **CLAIM**

The ornamental design for a medical shield remover, as  
shown and described.

**DESCRIPTION**

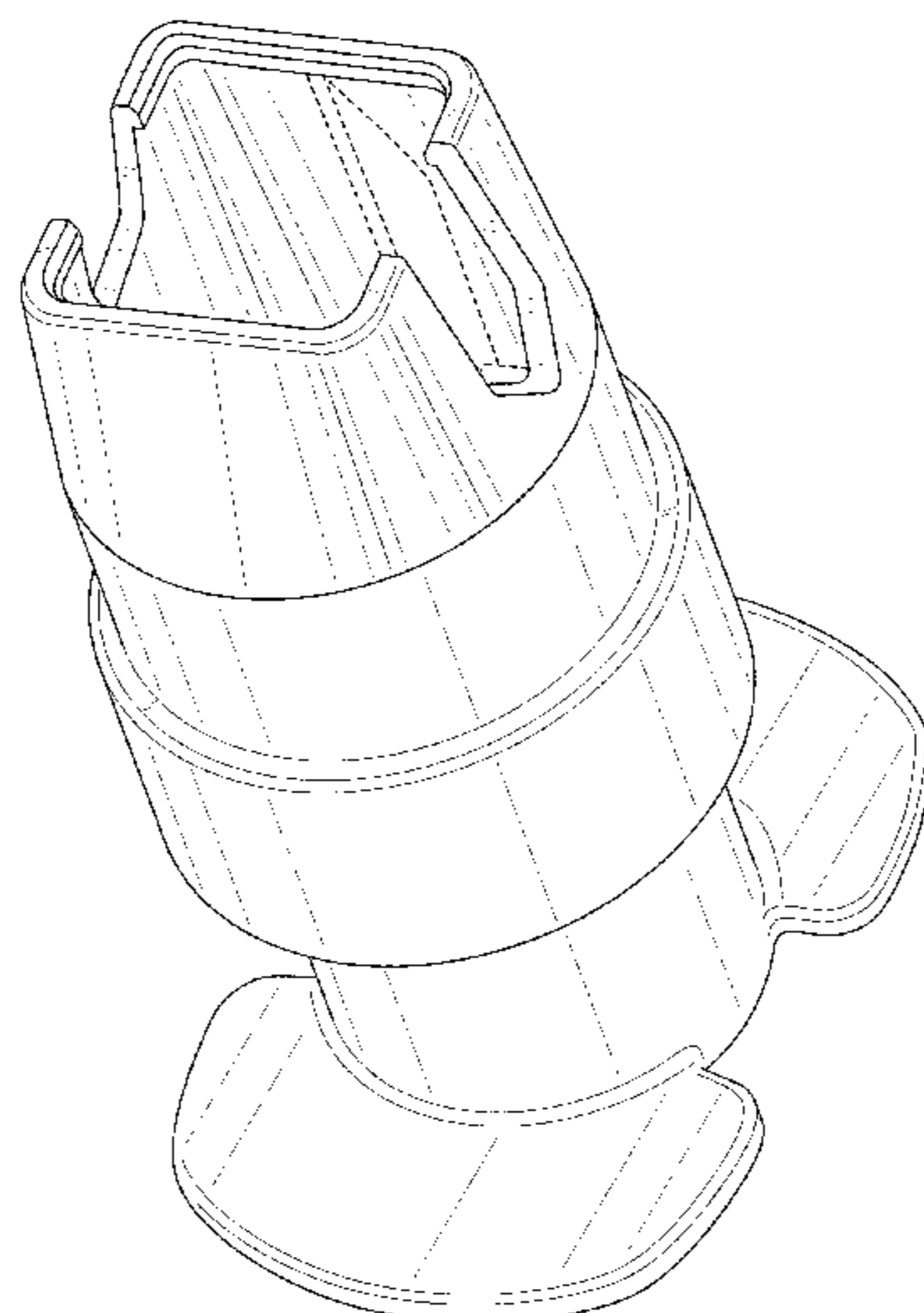
FIG. 1 is a top perspective view of a medical shield remover,  
in accordance with the present design;  
FIG. 2 is a bottom perspective view thereof;  
FIG. 3 is a front elevation view thereof;  
FIG. 4 is a right side elevation view thereof;  
FIG. 5 is a rear elevation view thereof;  
FIG. 6 is a left side elevation view thereof;  
FIG. 7 is a top plan view thereof;  
FIG. 8 is a bottom plan view thereof;  
FIG. 9 is a front elevation view thereof, with a syringe  
inserted therein;  
FIG. 10 is a top perspective view thereof, with a syringe  
inserted therein;  
FIG. 11 is a bottom perspective view thereof, with a syringe  
inserted therein; and,  
FIG. 12 is a perspective exploded view thereof.  
Portions of the medical shield remover shown in dashed  
lines in FIGS. 1, 2, 3, 5, 7, 8, and 9-11 depict unclaimed  
portions of the medical shield remover that are included for  
environmental purposes only.

(56) **References Cited**

**U.S. PATENT DOCUMENTS**

D239,021 S	3/1976	D'Alo
4,365,626 A	12/1982	House
4,832,695 A	5/1989	Rosenberg et al.
4,929,232 A	5/1990	Sweeney et al.
D337,157 S	7/1993	Ortiz
D375,788 S	11/1996	Potts et al.
D380,262 S	6/1997	Van Funderburk et al.
5,647,849 A	7/1997	Kalin
D427,308 S	6/2000	Zinger
D473,646 S	4/2003	Baillargeon et al.
6,582,397 B2	6/2003	Alesi et al.

**1 Claim, 12 Drawing Sheets**



(56)

**References Cited**

U.S. PATENT DOCUMENTS

D505,200	S	5/2005	Simpson et al.	
7,059,327	B2 *	6/2006	Worthington .....	A61F 2/20 128/200.26
D607,558	S	1/2010	Abry et al.	
D629,510	S	12/2010	Grunhut	
D637,713	S *	5/2011	Nord .....	D24/129
D642,261	S *	7/2011	York .....	D24/130
D655,017	S *	2/2012	Mosler .....	D24/129
D679,008	S *	3/2013	Schroeder .....	D24/129
D702,343	S *	4/2014	Dale .....	D24/129
8,858,507	B2 *	10/2014	Nielsen .....	A61M 5/3202 604/162
D718,439	S *	11/2014	Woehr .....	D24/130
D738,494	S *	9/2015	Kashmirian .....	D24/127
D750,239	S *	2/2016	Pappalardo .....	D24/130
D750,258	S *	2/2016	Crossley .....	D24/129
D760,891	S *	7/2016	Nakamura .....	D24/114
D768,850	S *	10/2016	Rozwadowski .....	D24/130
2001/0044606	A1	11/2001	Inkpen et al.	
2004/0133172	A1	7/2004	Wilkinson	
2004/0210197	A1	10/2004	Conway	
2008/0228147	A1	9/2008	David-Hegerich et al.	
2009/0312705	A1	12/2009	Grunhut et al.	

OTHER PUBLICATIONS

Sorbin, J-V et al., "T-Shaped Cap for a Medical Injector", Design U.S. Appl. No. 29/547,832, filed Dec. 8, 2015, 9 pp.

Nguyen, E., "Cap for a Medical Injector Having a Hemispherical Portion", Design U.S. Appl. No. 29/547,834, filed Dec. 8, 2015, 9 pp.

Nguyen, E., "T-Shaped Cap for a Medical Injector", Design U.S. Appl. No. 29/547,839, filed Dec. 8, 2015, 9 pp.

\* cited by examiner

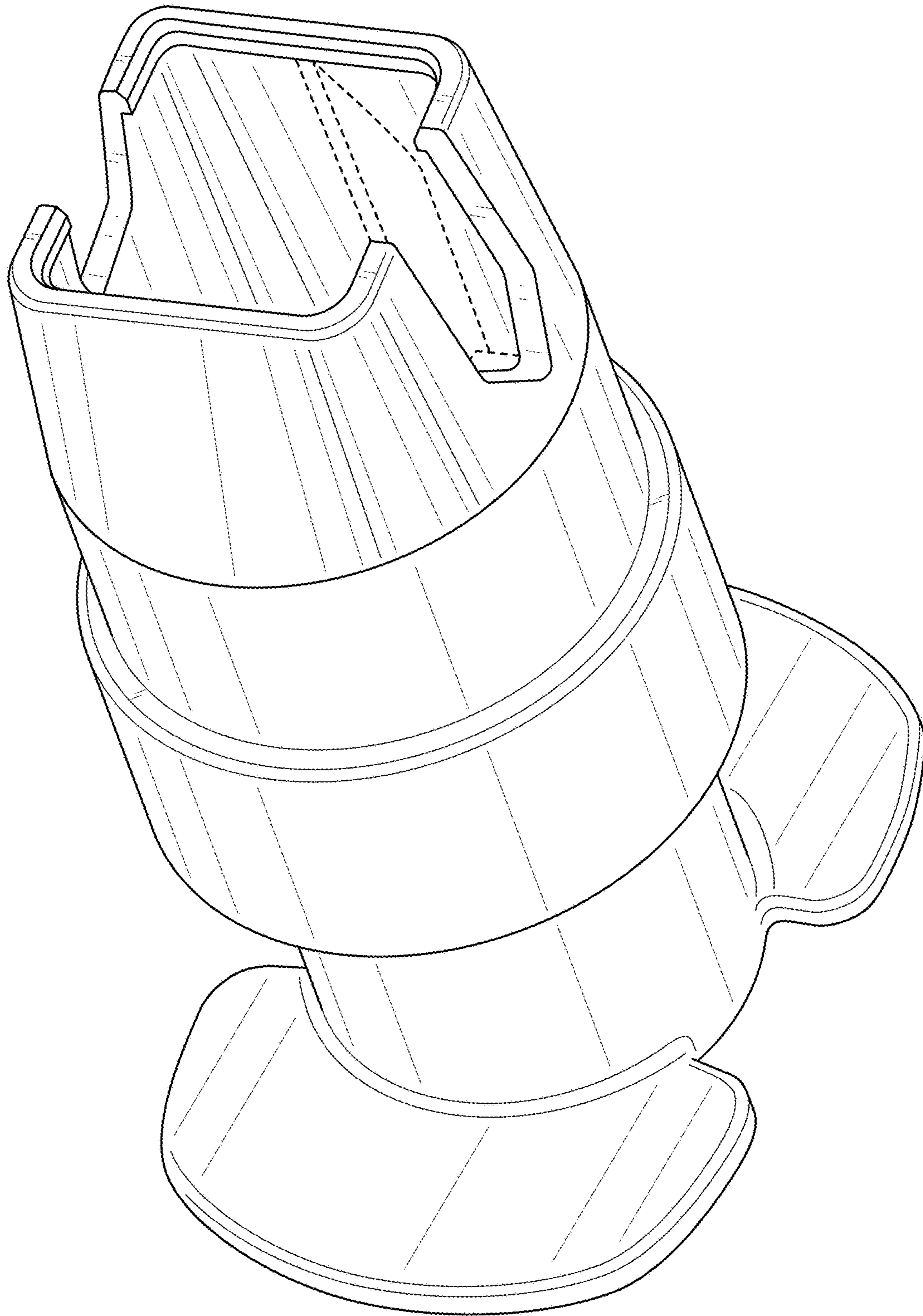


FIG. 1

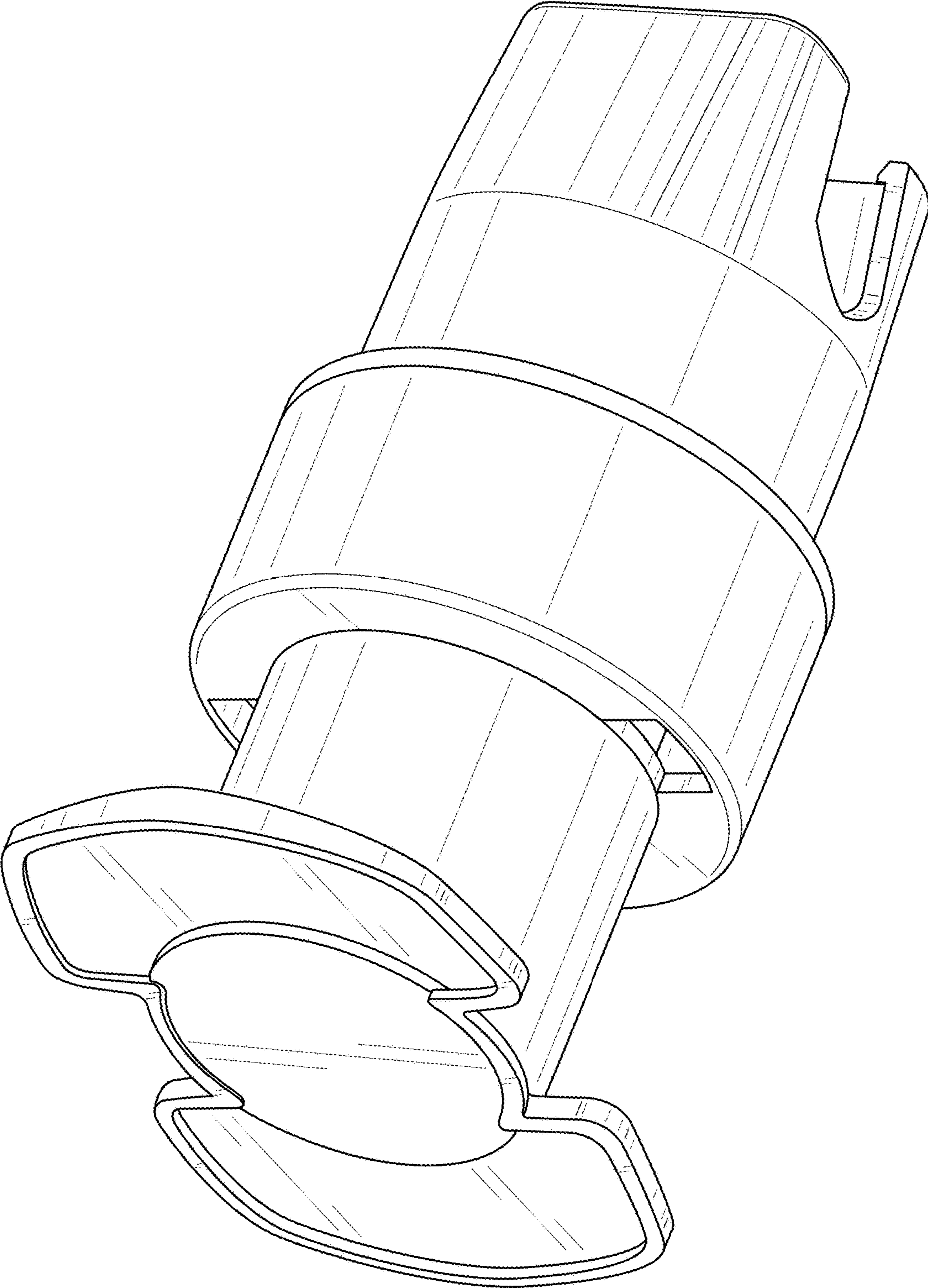


FIG. 2

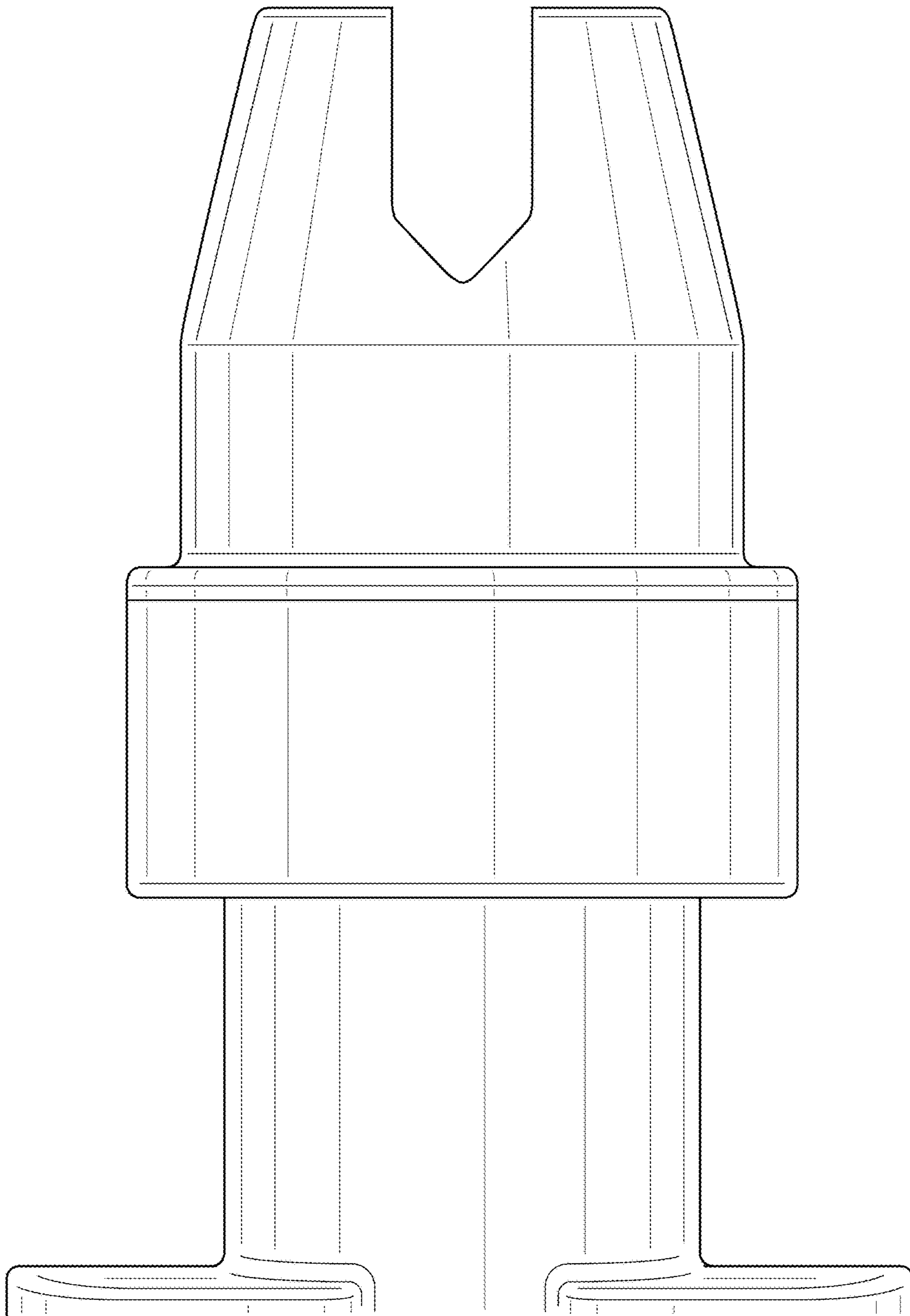


FIG. 3

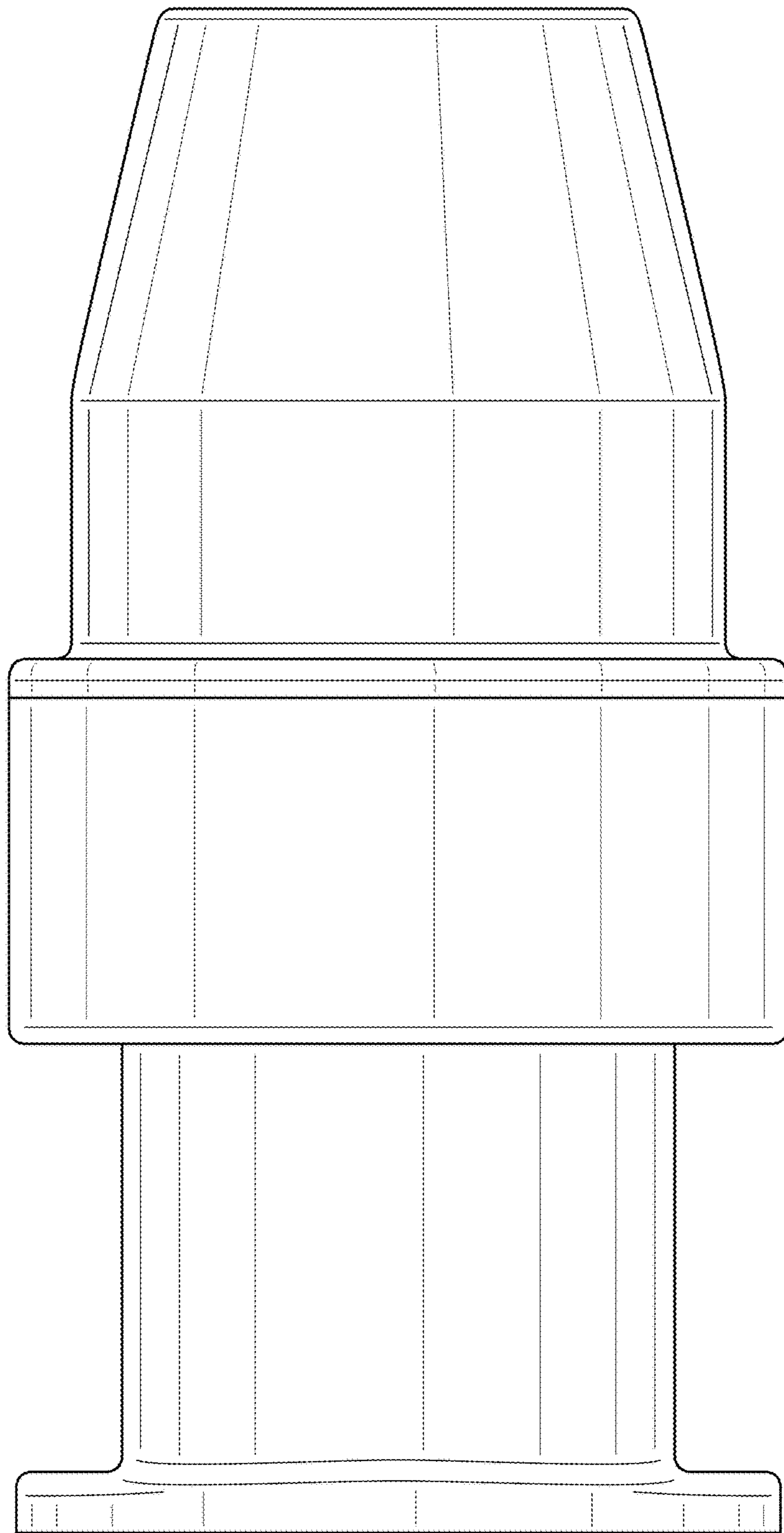


FIG. 4

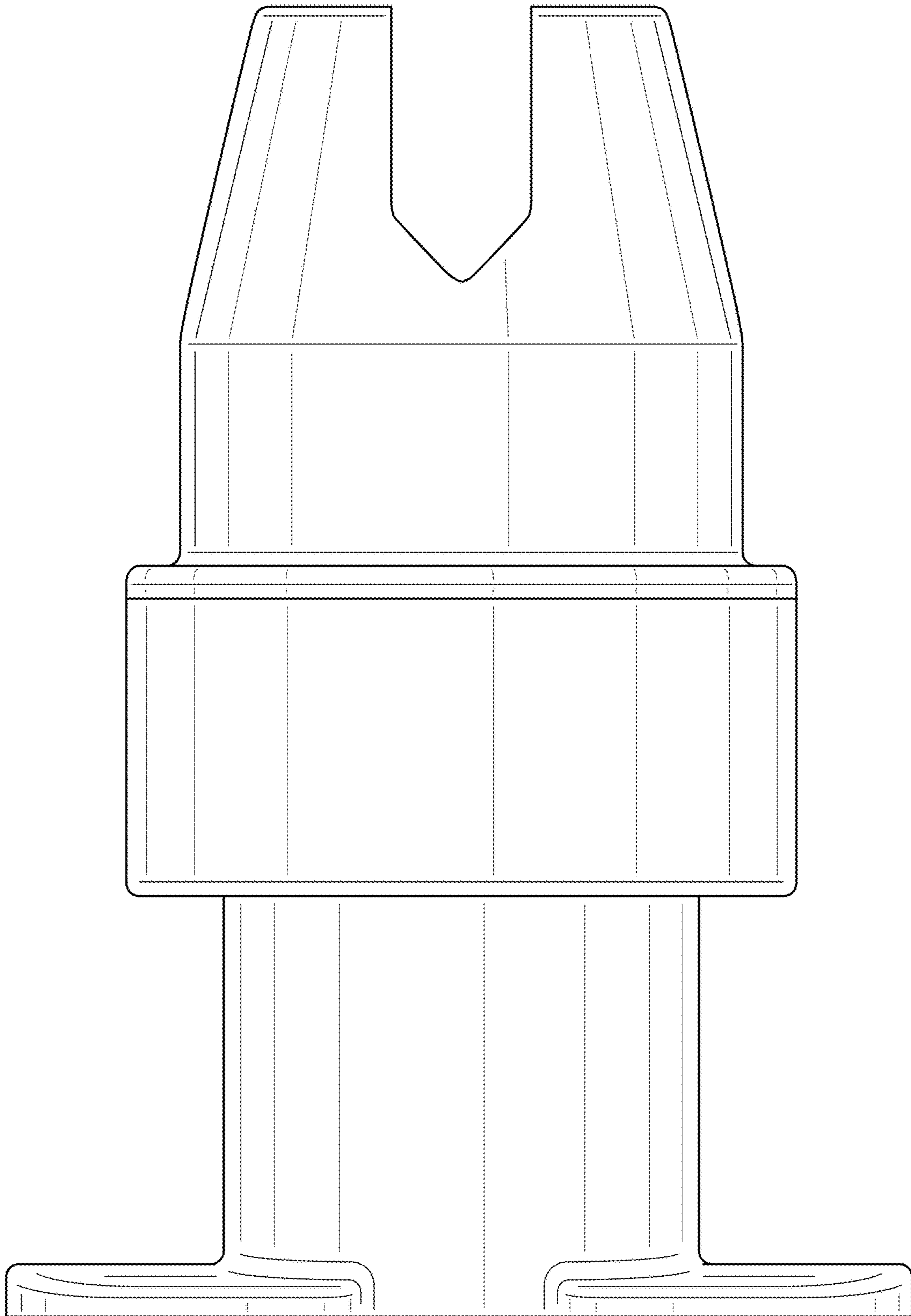


FIG. 5

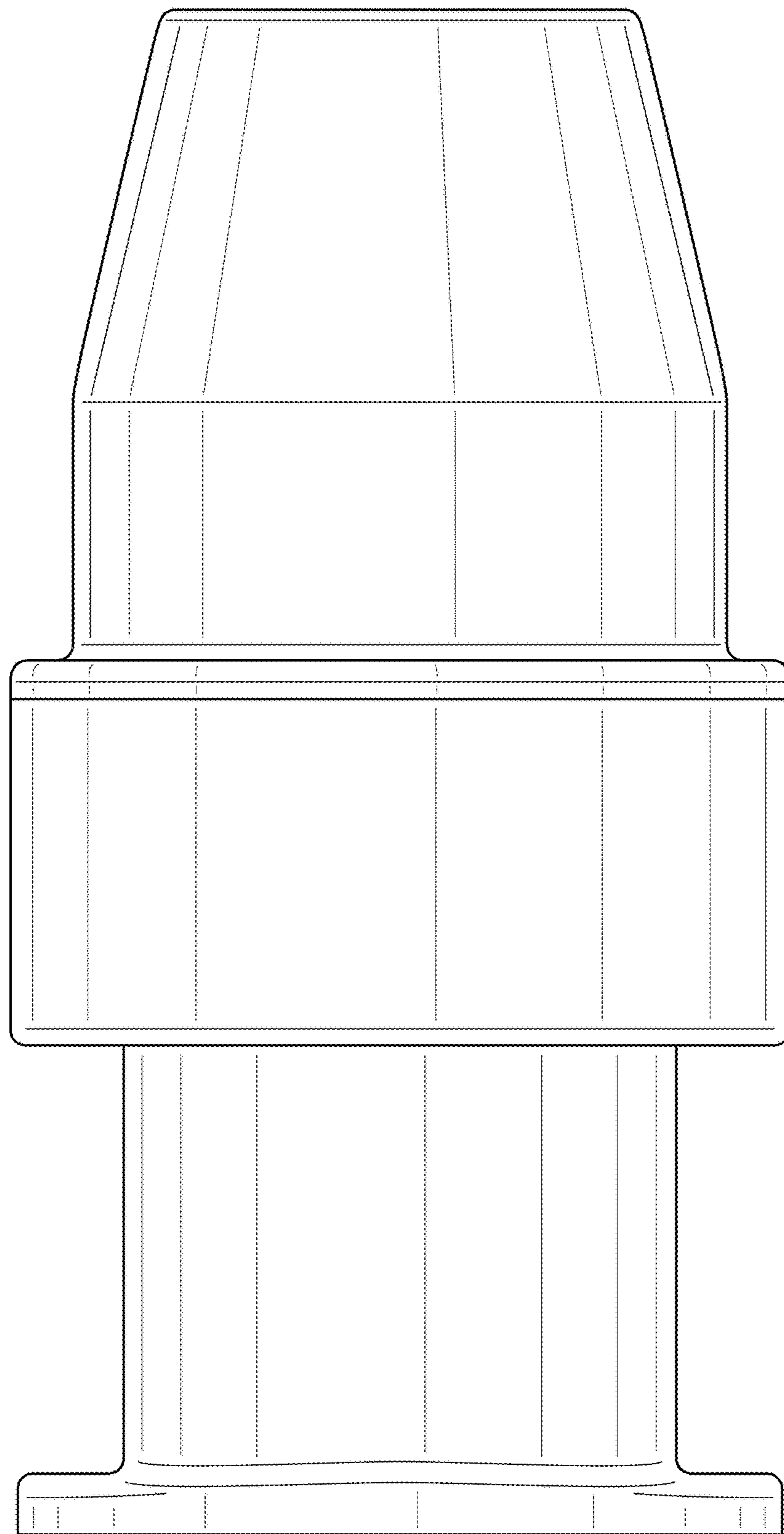


FIG. 6



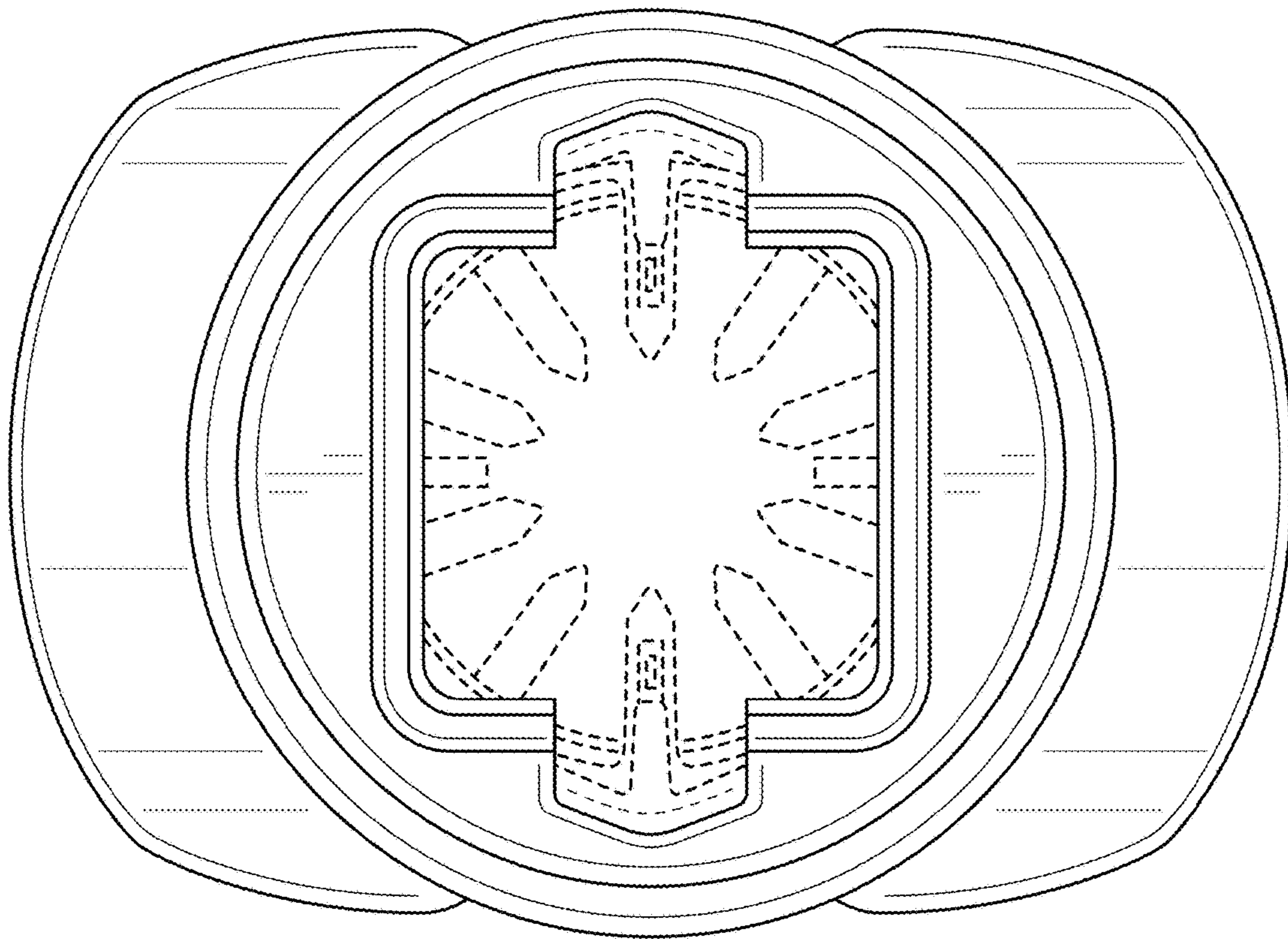


FIG. 7

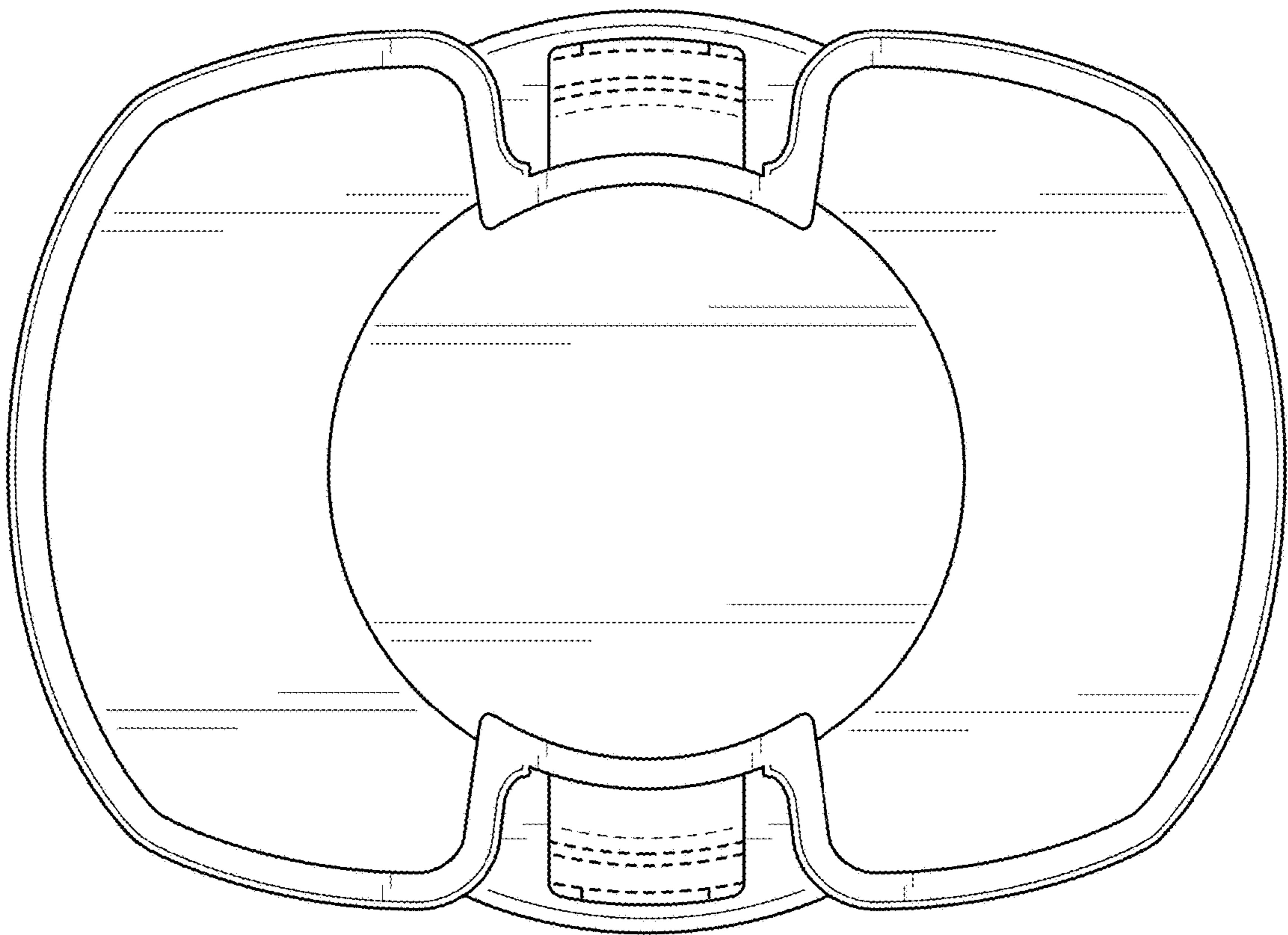


FIG. 8

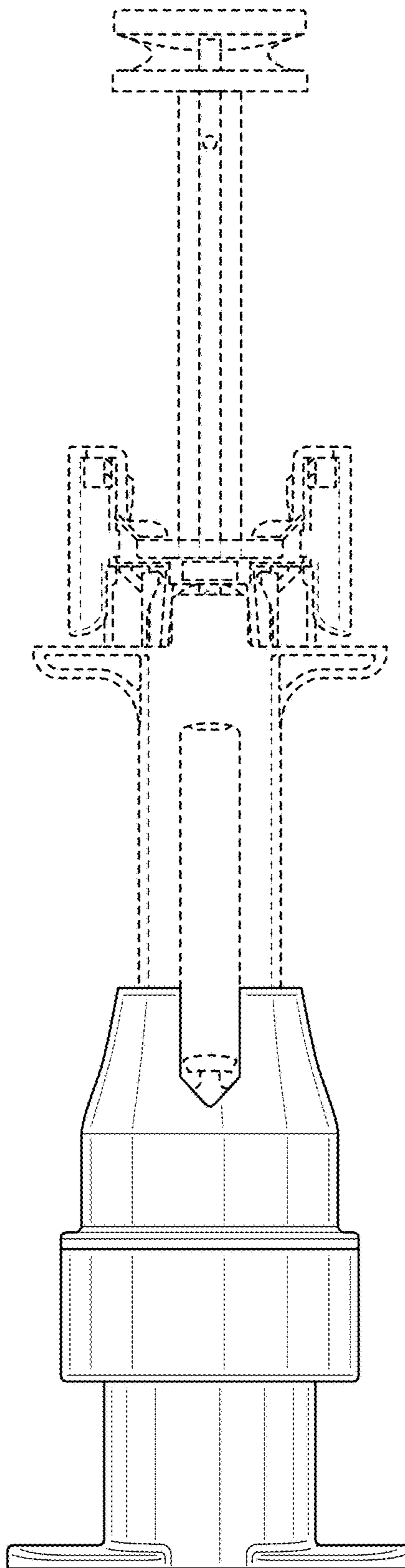


FIG. 9

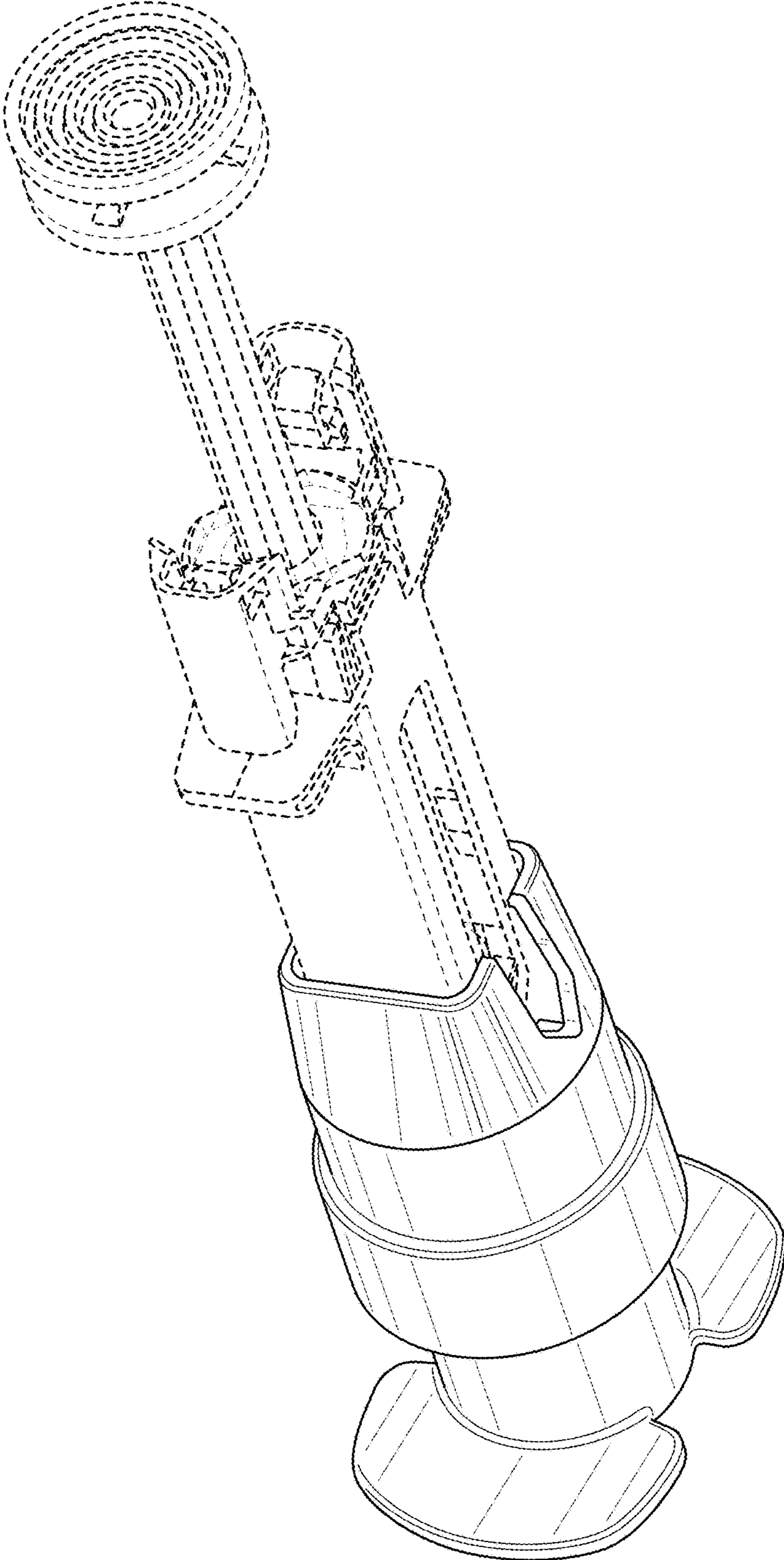


FIG. 10

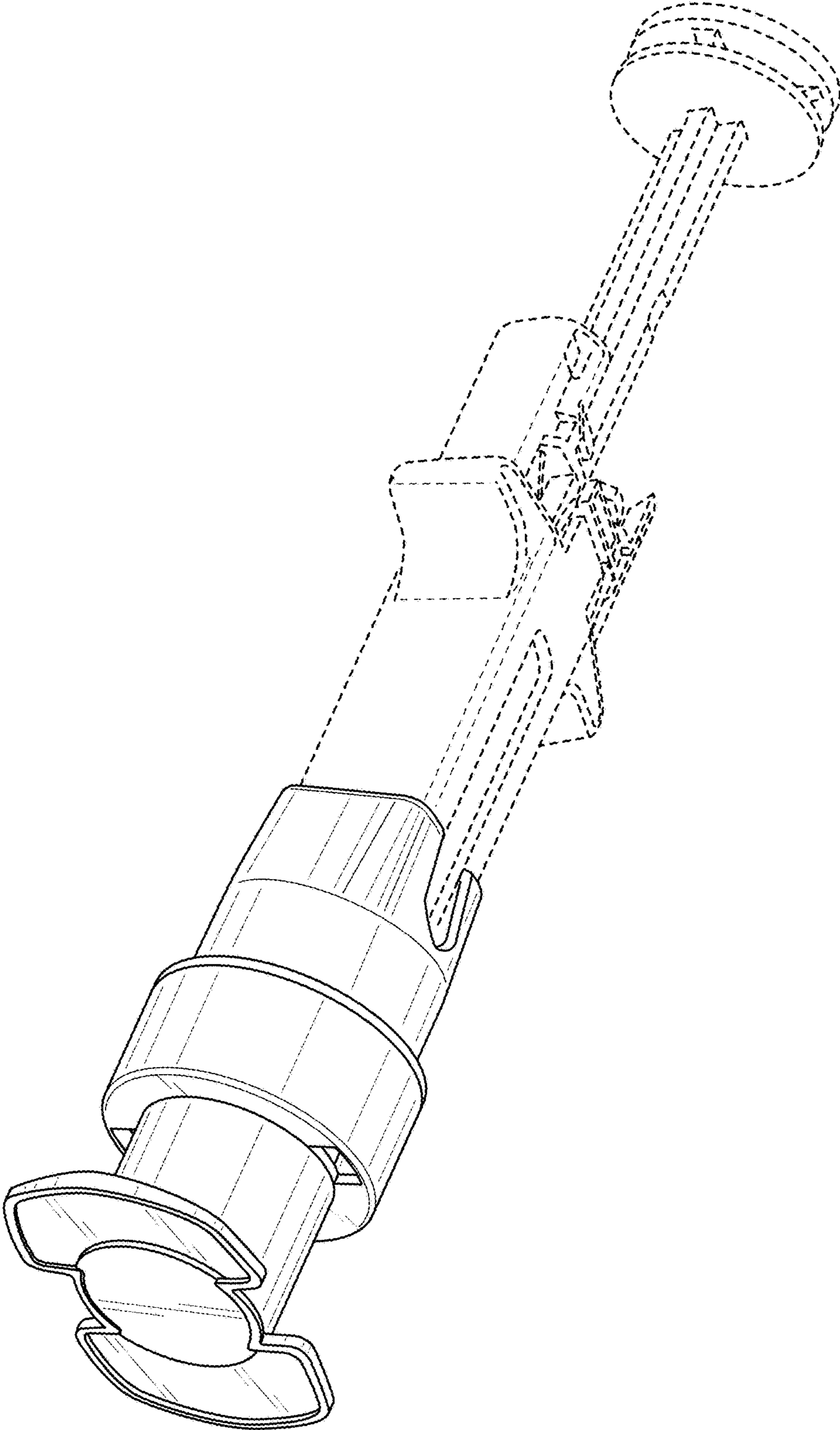


FIG. 11

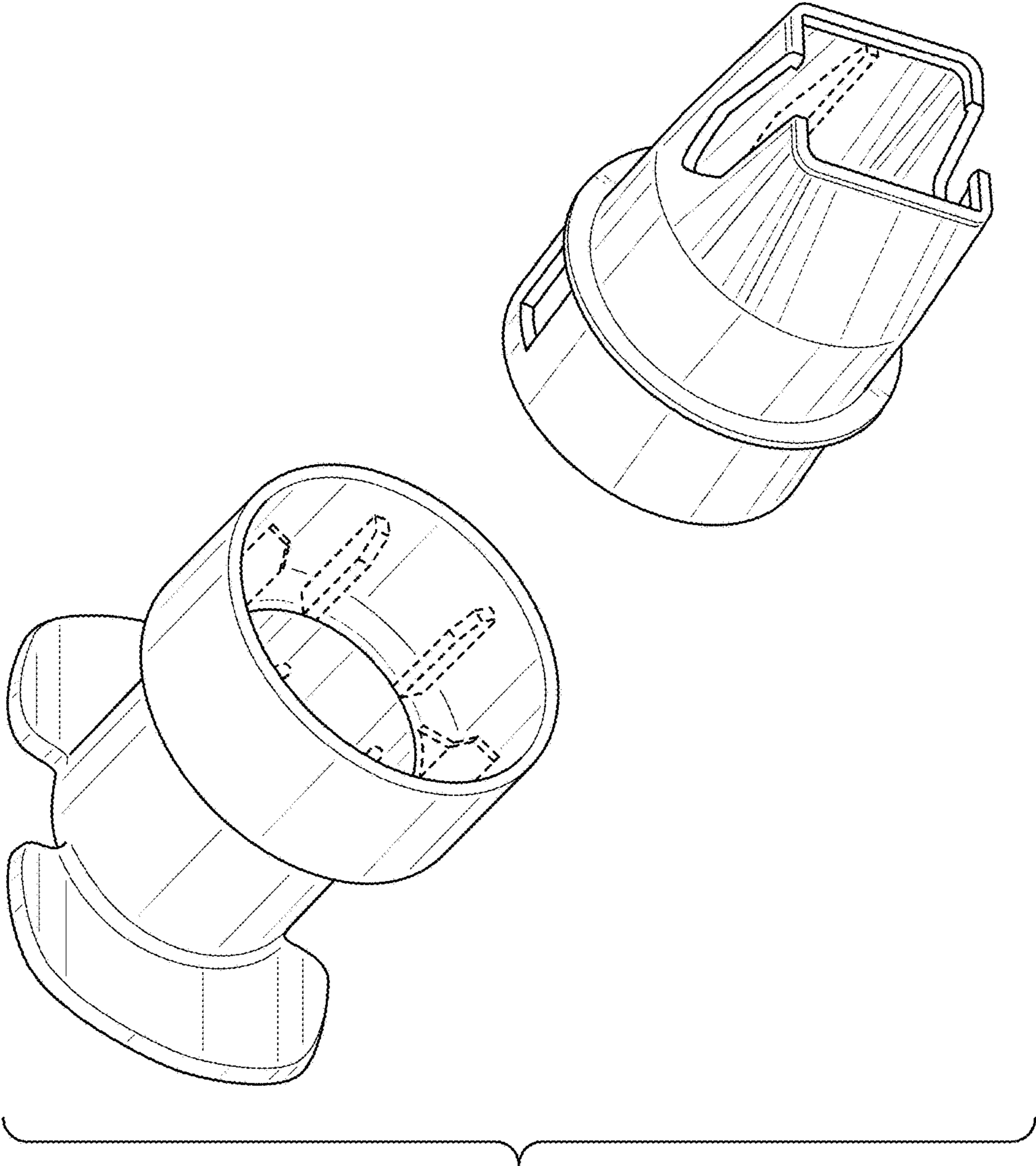


FIG. 12