



US00D784525S

(12) **United States Design Patent**
Nguyen

(10) **Patent No.:** **US D784,525 S**

(45) **Date of Patent:** **** Apr. 18, 2017**

(54) **CAP FOR A MEDICAL INJECTOR HAVING A HEMISPHERICAL PORTION**

(71) Applicant: **Becton Dickinson France S.A.S.**, Le Pont-de-Claix (FR)

(72) Inventor: **Emilie Nguyen**, Garges-lès-Gonesse (FR)

(73) Assignee: **Becton Dickinson France S.A.S.**, Le Pont-de-Claix (FR)

(**) Term: **15 Years**

(21) Appl. No.: **29/547,834**

(22) Filed: **Dec. 8, 2015**

(51) **LOC (10) Cl.** **24-02**

(52) **U.S. Cl.**
USPC **D24/127**

(58) **Field of Classification Search**
USPC D24/127-131, 112-114, 133, 186;
606/181, 185; 604/506, 264, 523-528,
604/272, 187, 158, 164.01-164.11, 181,
604/184, 227; 600/101, 139, 143;
128/200.24, 207.14, 207.15
CPC .. A61M 25/065; A61M 5/42; A61M 25/0612;
A61M 25/00; A61M 39/00; A61M 27/00;
A61M 25/0043; A61M 25/0067; A61M
25/0097; A61M 2/958
See application file for complete search history.

(56) **References Cited**

U.S. PATENT DOCUMENTS

D239,021 S	3/1976	D'Alo
4,365,626 A	12/1982	House
4,832,695 A	5/1989	Rosenberg et al.
4,929,232 A	5/1990	Sweeney et al.
D337,157 S	7/1993	Ortiz

D375,788 S	11/1996	Potts et al.	
D380,262 S	6/1997	Van Funderburk et al.	
5,647,849 A	7/1997	Kalin	
D427,308 S	6/2000	Zinger	
D473,646 S	4/2003	Baillargeon et al.	
6,582,397 B2	6/2003	Alesi et al.	
D483,487 S	12/2003	Harding et al.	
D486,225 S *	2/2004	Gay, III D24/109
D492,774 S	7/2004	Cindrich et al.	
D497,990 S	11/2004	Jutila	
D505,200 S	5/2005	Simpson et al.	
7,059,327 B2 *	6/2006	Worthington A61F 2/20 128/200.26
D607,558 S	1/2010	Abry et al.	

(Continued)

Primary Examiner — David Muller
(74) *Attorney, Agent, or Firm* — The Webb Law Firm

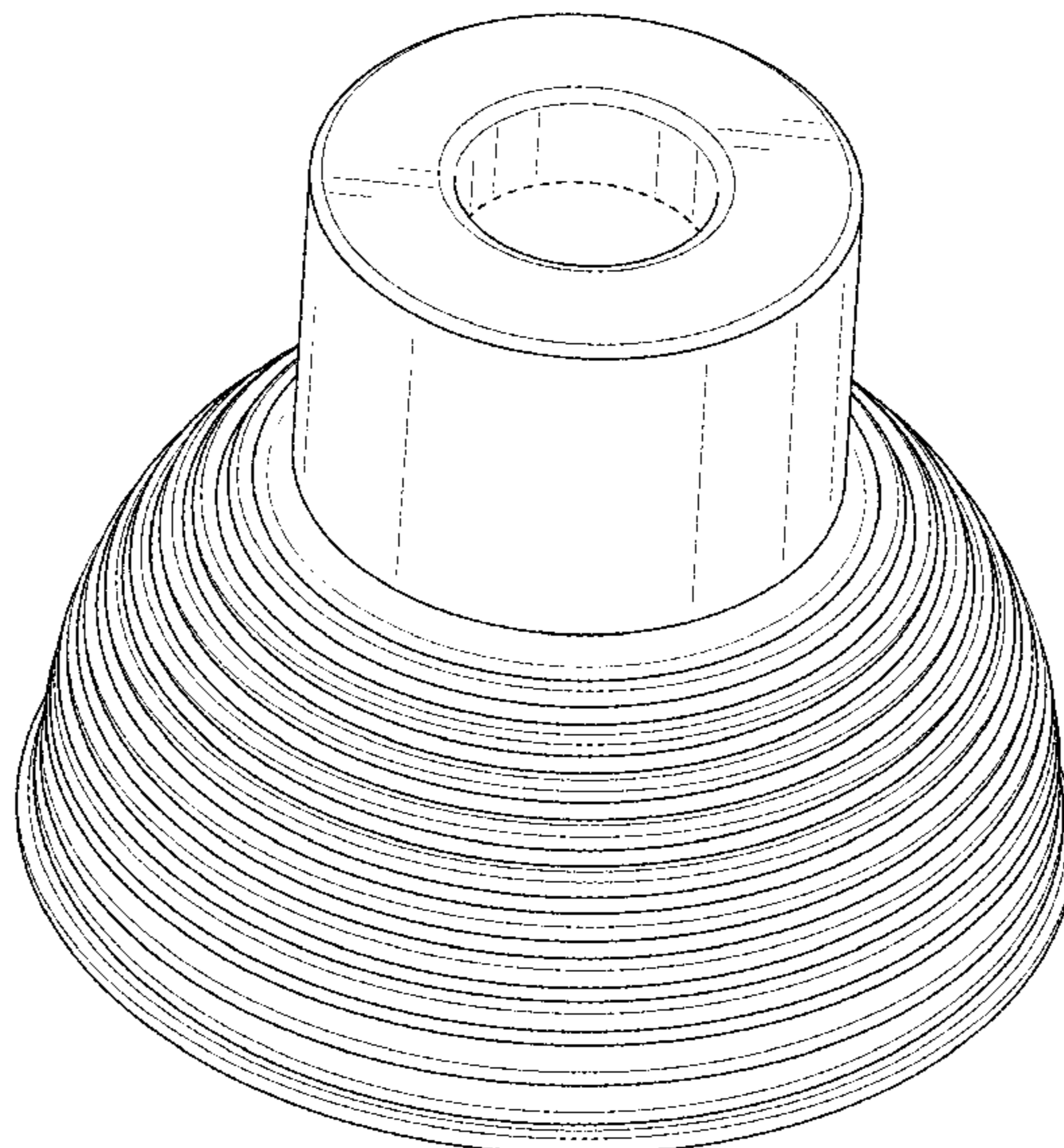
(57) **CLAIM**

The ornamental design for a cap for a medical injector having a hemispherical portion, as shown and described.

DESCRIPTION

FIG. 1 is a perspective view of a cap for a medical injector having a hemispherical portion in accordance with the present invention;
FIG. 2 is a front elevation view thereof;
FIG. 3 is a rear elevation view thereof;
FIG. 4 is a left side elevation view thereof;
FIG. 5 is a right side elevation view thereof;
FIG. 6 is a top plan view thereof;
FIG. 7 is a bottom plan view thereof; and,
FIG. 8 is a perspective view of the cap for a medical injector of FIG. 1 shown engaged with an injector.
The broken lines representing portions of the interior of the cap shown in FIGS. 1 and 7 and the injector shown in FIG. 8 represent disclaimed subject matter and form no part of the claimed design.

1 Claim, 8 Drawing Sheets



(56)

References Cited

U.S. PATENT DOCUMENTS

D629,510	S	12/2010	Grunhut	
D637,713	S *	5/2011	Nord	D24/129
D655,000	S *	2/2012	Mirigian	D24/130
8,858,507	B2 *	10/2014	Nielsen	A61M 5/3202 604/162
D750,239	S *	2/2016	Pappalardo	D24/130
D750,779	S *	3/2016	Ahluwalia	D24/133
D751,192	S *	3/2016	She	D24/127
D755,966	S *	5/2016	Ahluwalia	D24/133
D755,967	S *	5/2016	Ahluwalia	D24/133
D757,935	S *	5/2016	Solingen	D24/133
D761,422	S *	7/2016	Row	D24/129
D768,850	S *	10/2016	Rozwadowski	D24/130
2001/0044606	A1	11/2001	Inkpen et al.	
2004/0133172	A1	7/2004	Wilkinson	
2004/0210197	A1	10/2004	Conway	
2008/0228147	A1	9/2008	David-Hegerich et al.	
2009/0312705	A1	12/2009	Grunhut et al.	

* cited by examiner

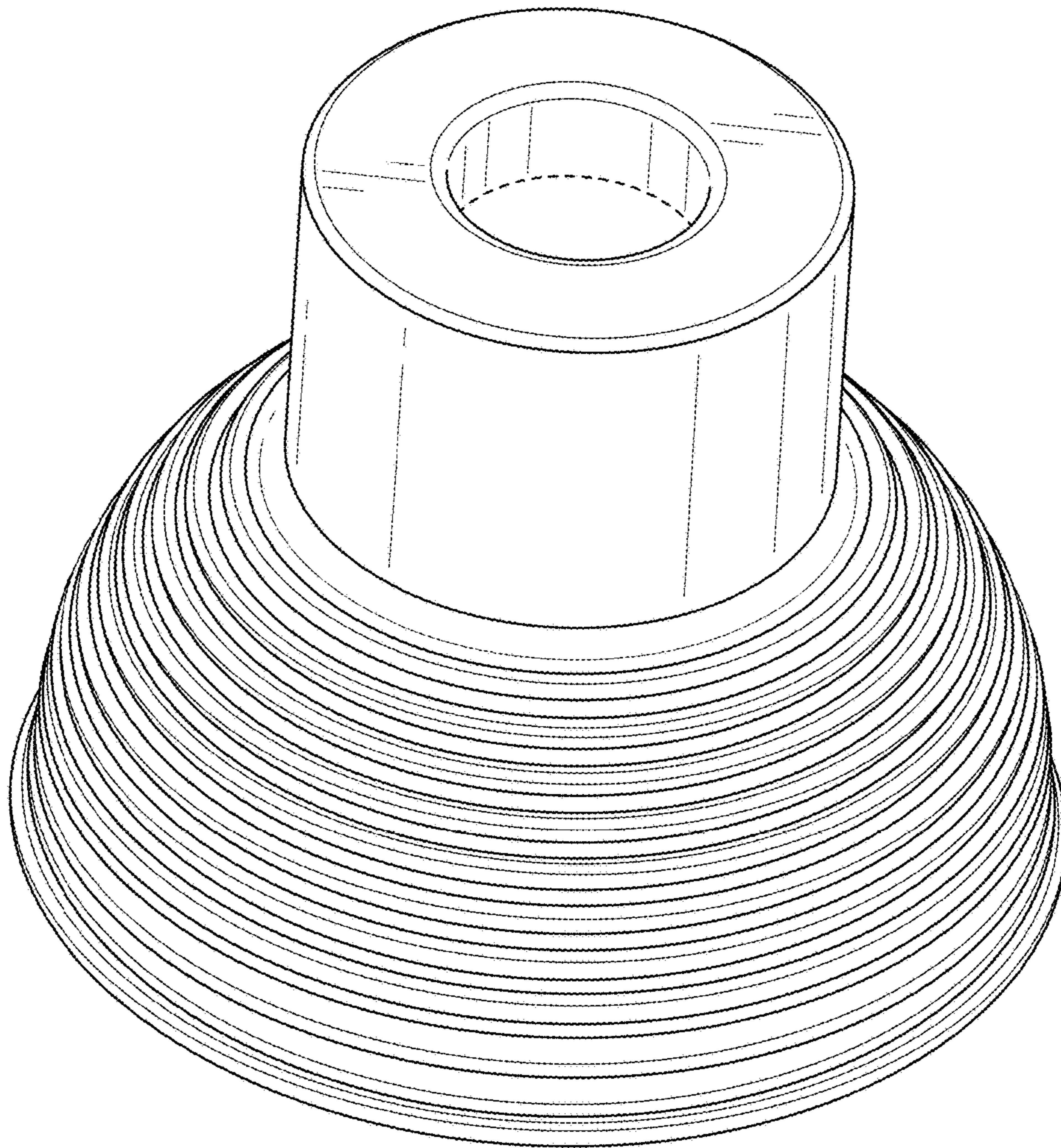


FIG. 1

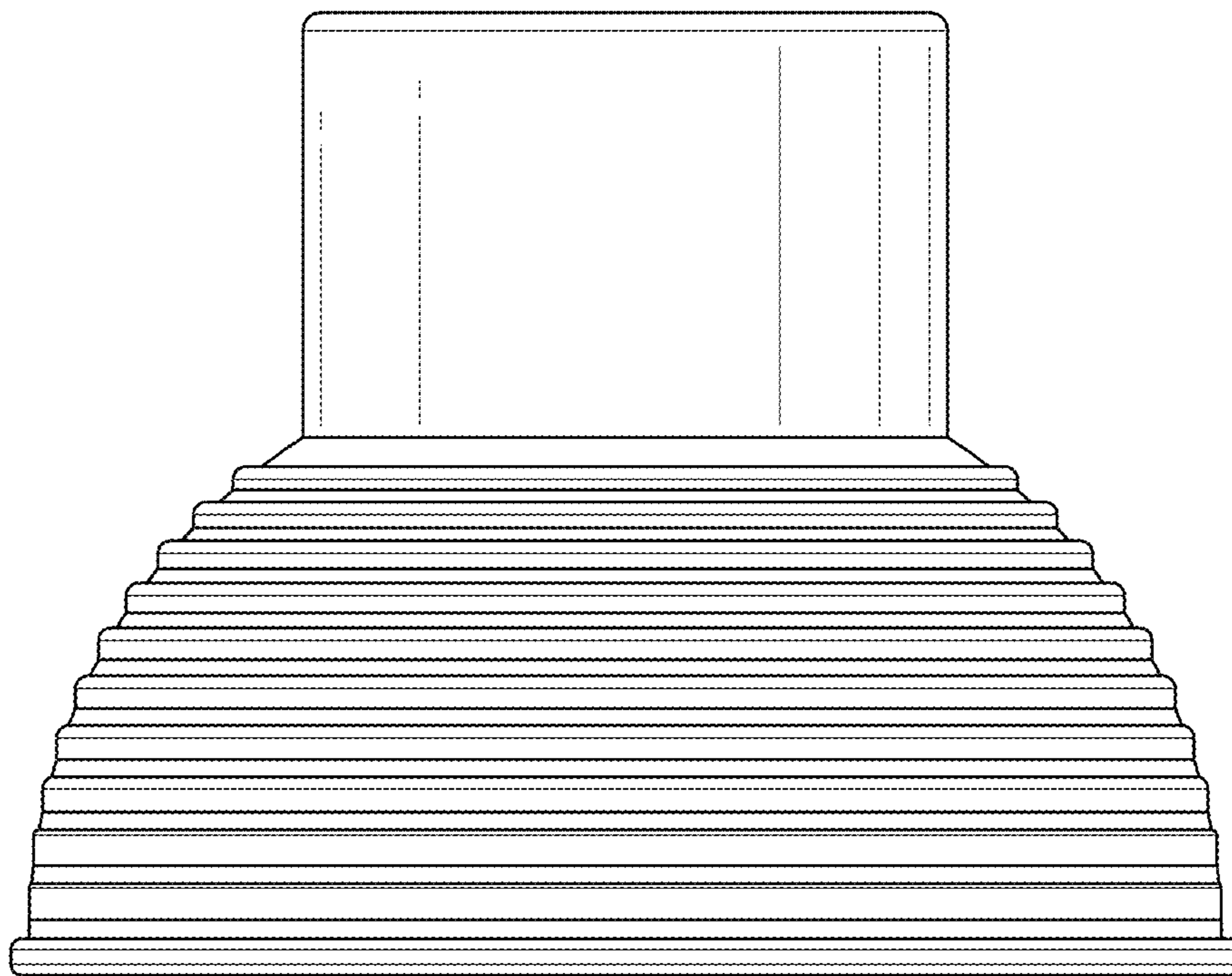


FIG. 2

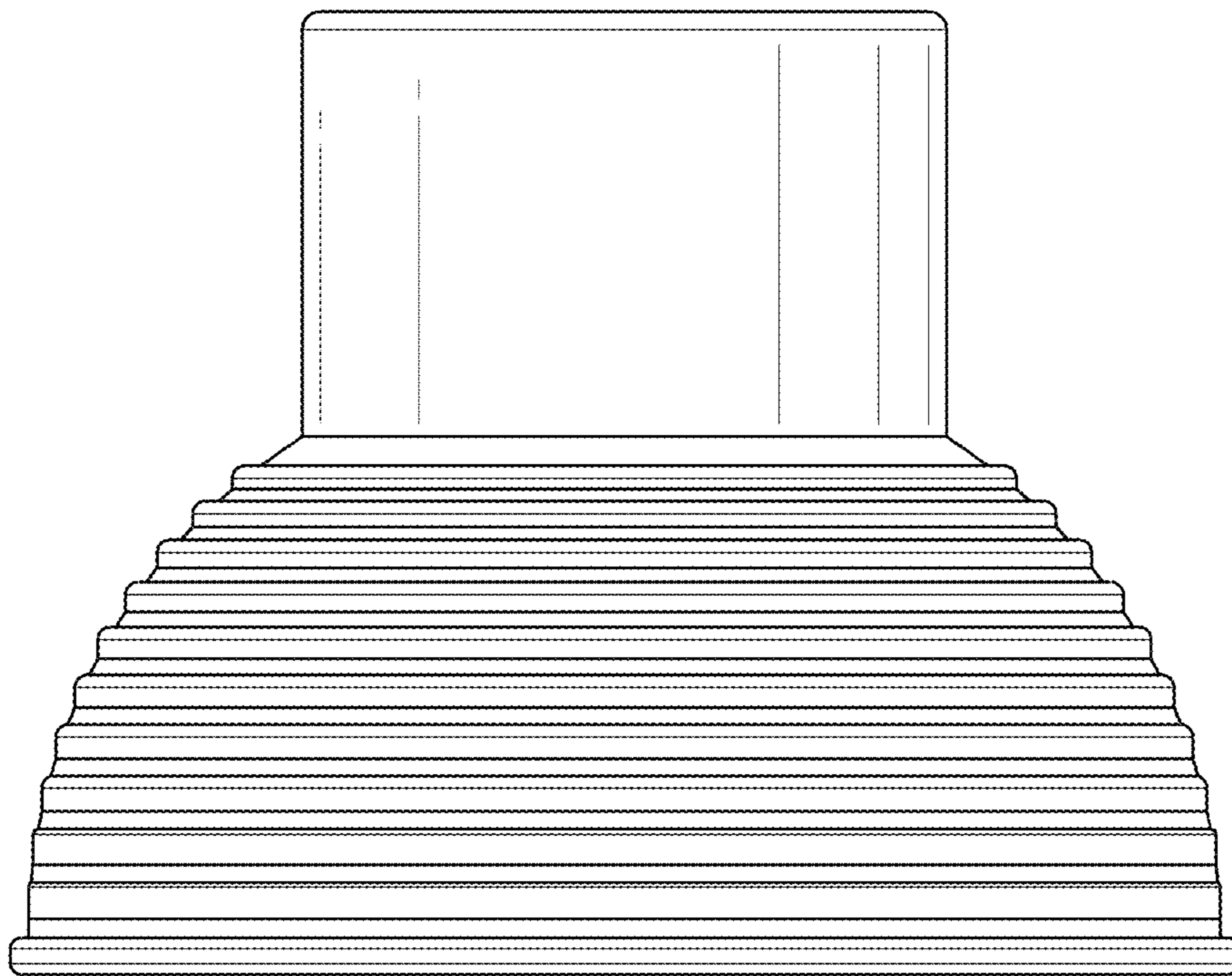


FIG. 3

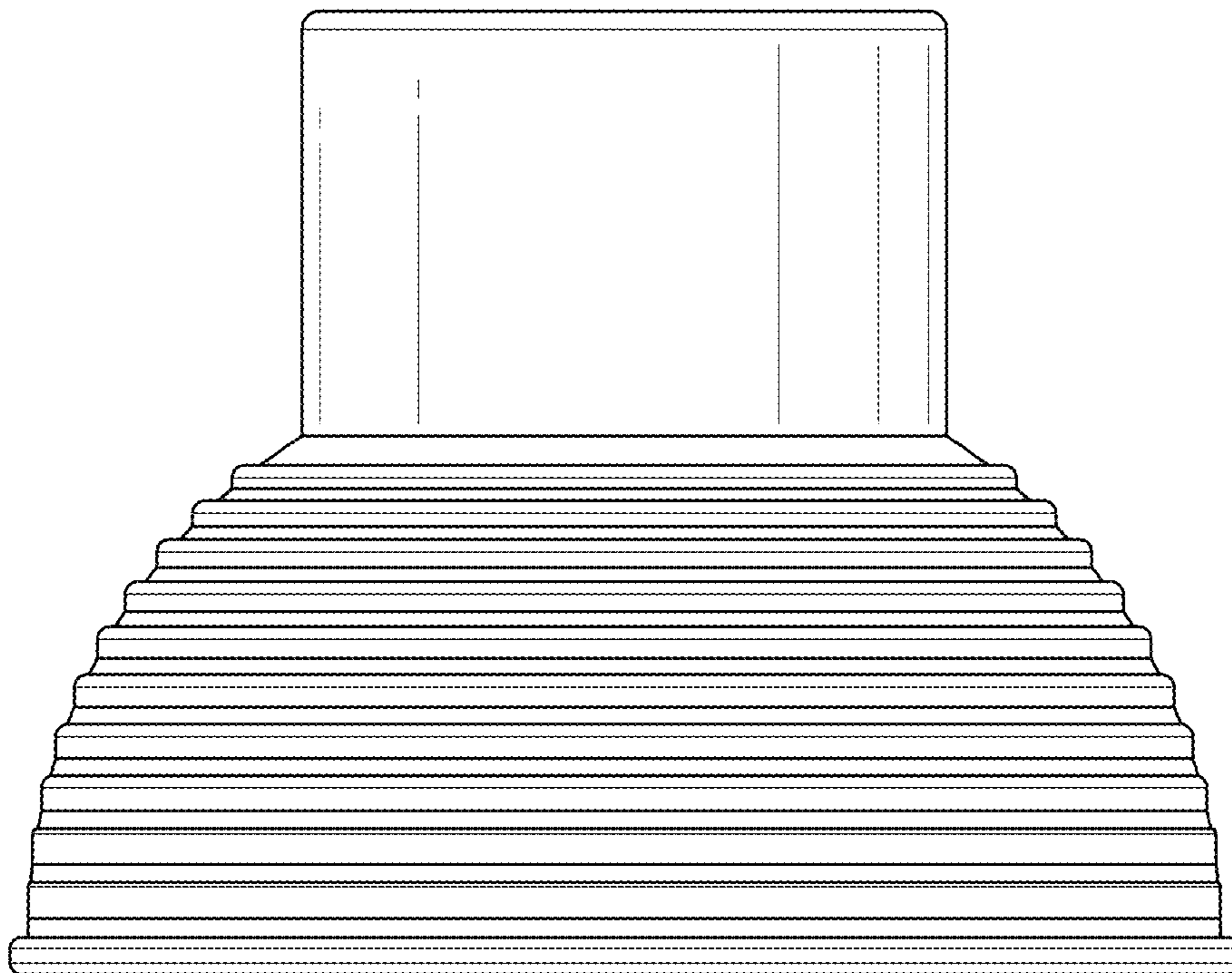


FIG. 4

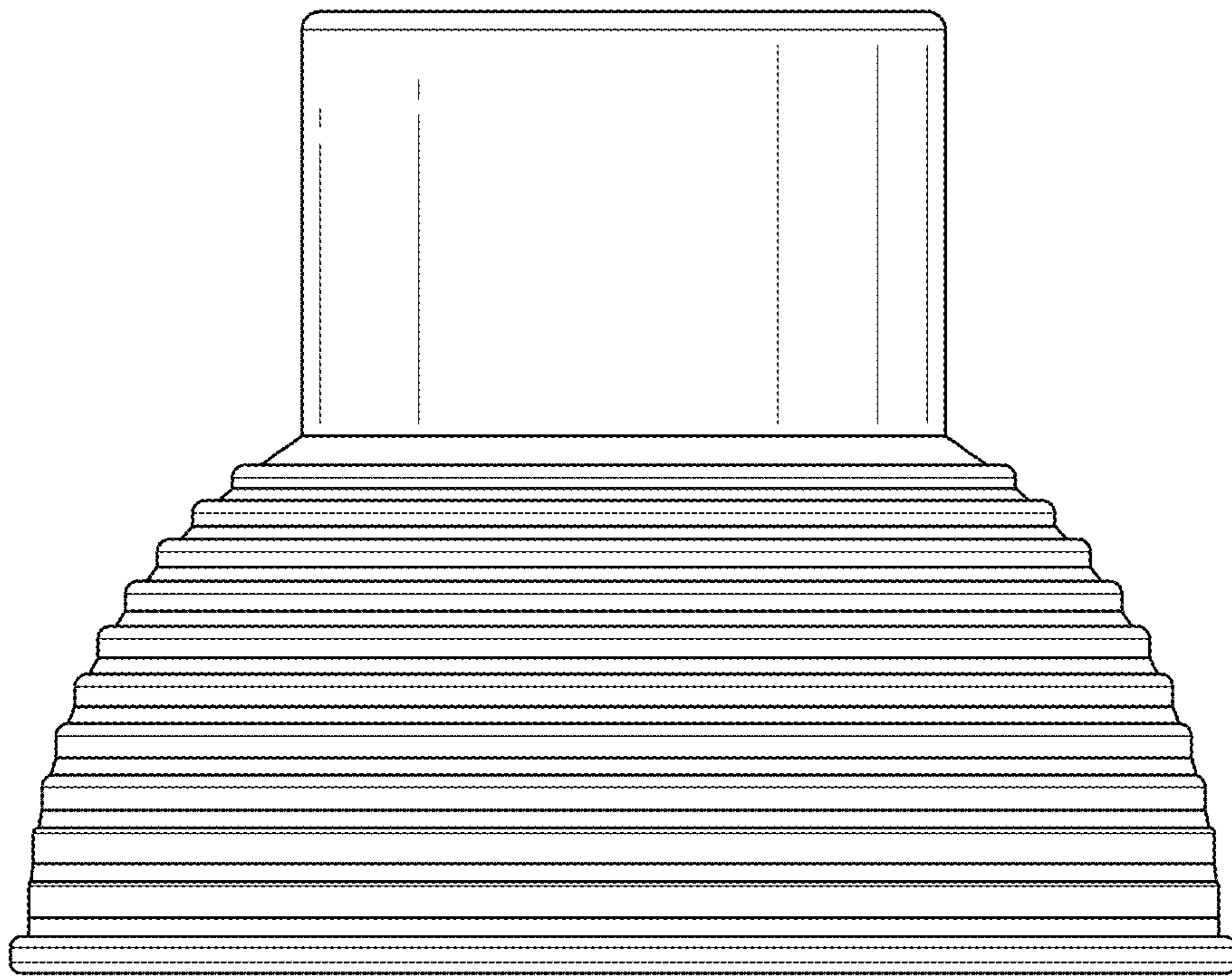


FIG. 5

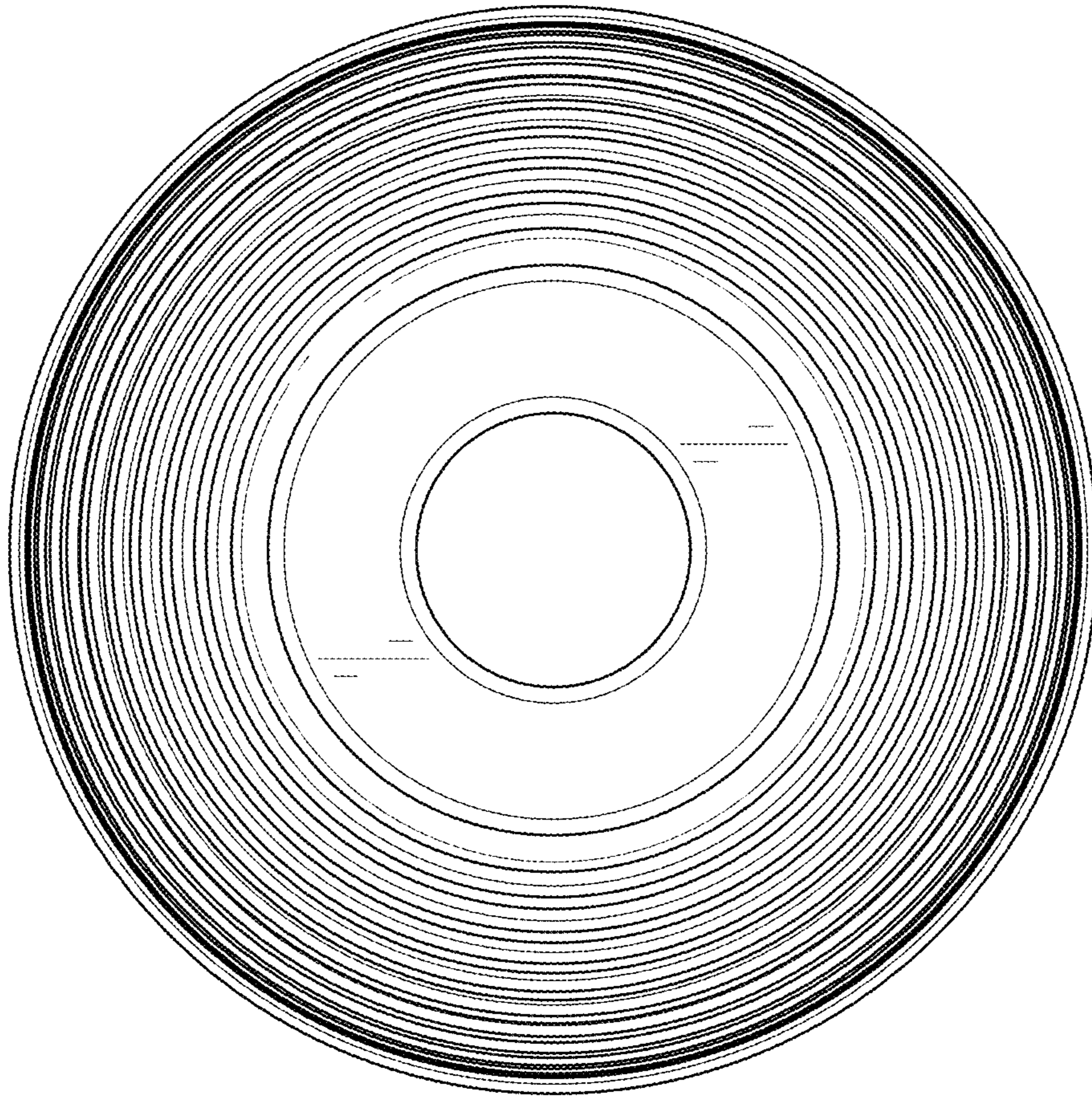


FIG. 6

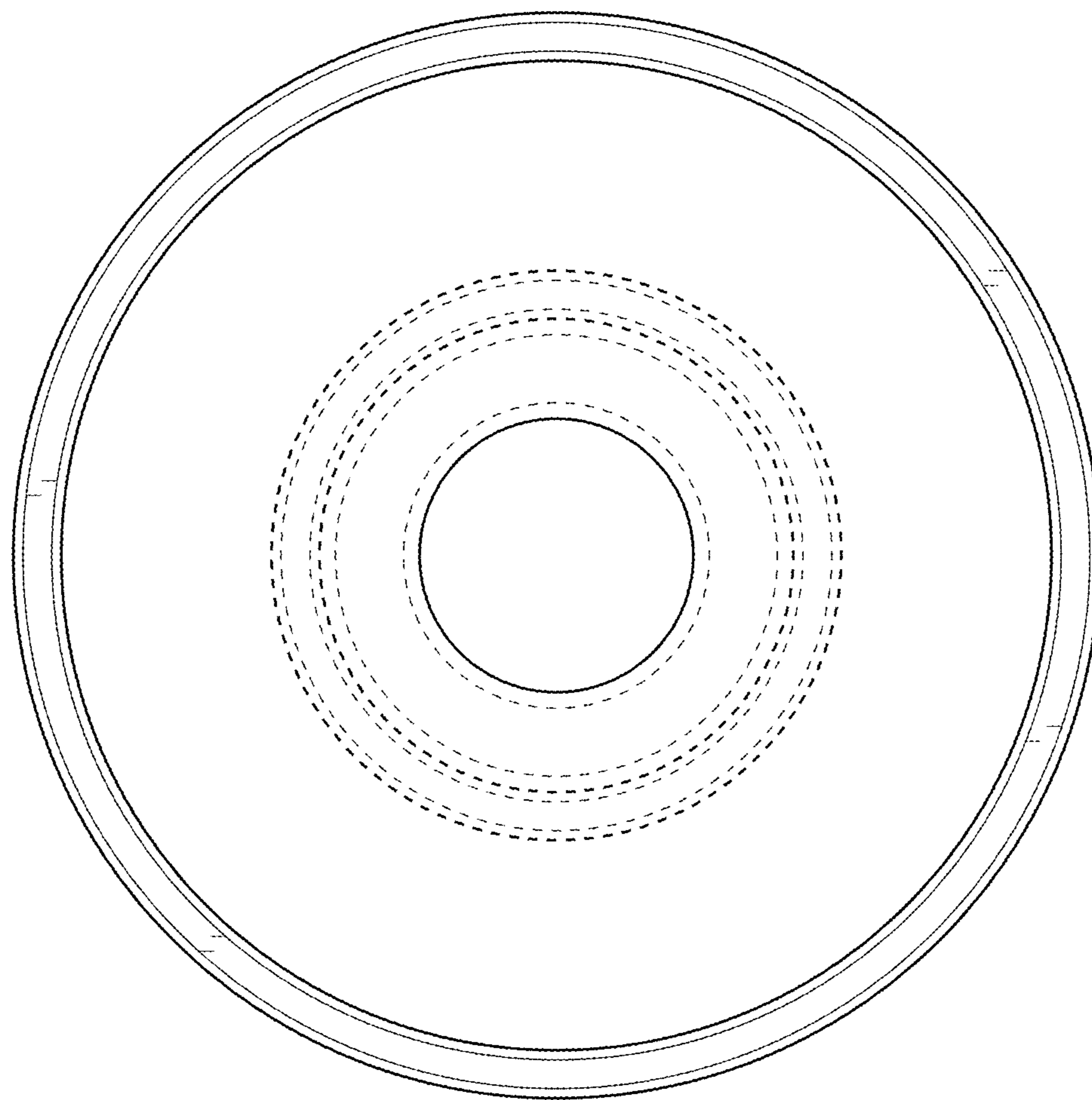


FIG. 7

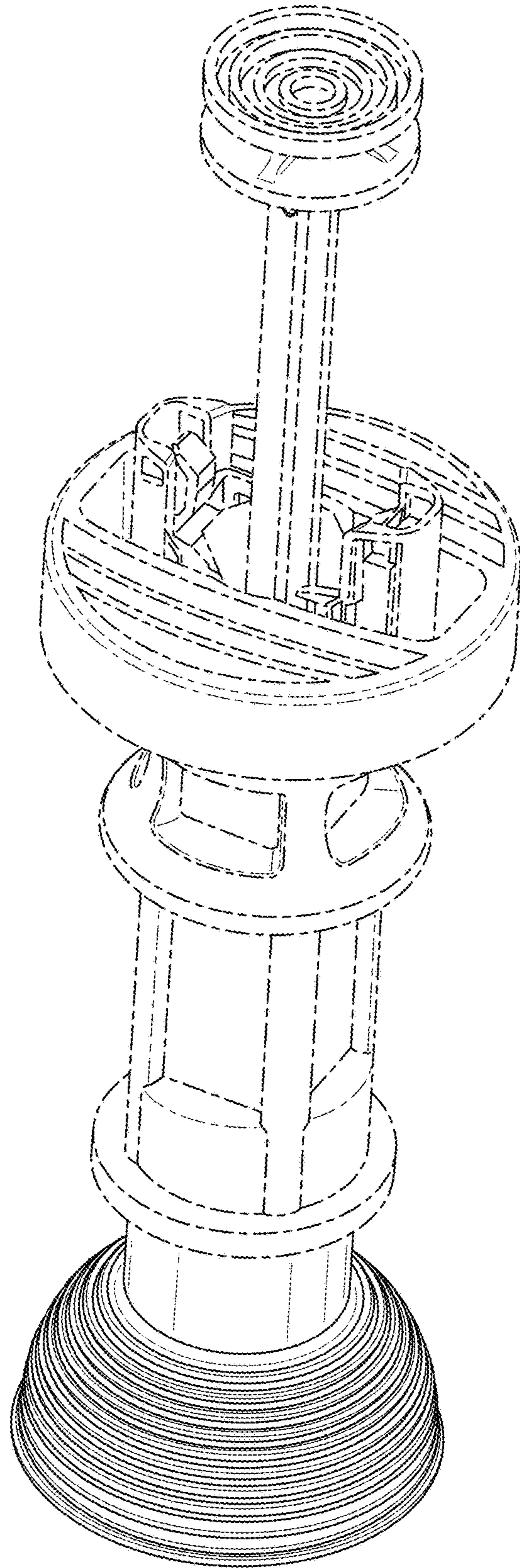


FIG. 8