



US00D784524S

(12) **United States Design Patent** (10) **Patent No.:** **US D784,524 S**
Corbin et al. (45) **Date of Patent:** **** Apr. 18, 2017**

(54) **T-SHAPED CAP FOR A MEDICAL INJECTOR**

(71) Applicant: **Becton Dickinson France S.A.S.**, Le Pont-de-Claix (FR)

(72) Inventors: **Jean-Yves Corbin**, Le Fresne Camilly (FR); **Maxime Vaupres**, Grentheville (FR)

(73) Assignee: **Becton Dickinson France S.A.S.**, Le Pont-de-Claix (FR)

(**) Term: **15 Years**

(21) Appl. No.: **29/547,832**

(22) Filed: **Dec. 8, 2015**

(51) **LOC (10) Cl.** **24-02**

(52) **U.S. Cl.**
USPC **D24/127**

(58) **Field of Classification Search**
USPC D24/127-131, 112-114, 133, 186; 606/181, 185; 604/506, 264, 523-528, 604/272, 187, 158, 164.01-164.11, 181, 604/184, 227; 600/101, 139, 143; 128/200.24, 207.14, 207.15
CPC .. A61M 25/065; A61M 5/42; A61M 25/0612; A61M 25/00; A61M 39/00; A61M 27/00; A61M 25/0043; A61M 25/0067; A61M 25/0097; A61F 2/958
See application file for complete search history.

(56) **References Cited**

U.S. PATENT DOCUMENTS

- D239,021 S 3/1976 D'Alo
- 4,365,626 A 12/1982 House
- 4,832,695 A 5/1989 Rosenberg et al.
- 4,929,232 A 5/1990 Sweeney et al.
- D337,157 S 7/1993 Ortiz
- D375,788 S 11/1996 Potts et al.

- D380,262 S 6/1997 Van Funderburk et al.
- 5,647,849 A 7/1997 Kalin
- D427,308 S 6/2000 Zinger
- D473,646 S 4/2003 Baillargeon et al.
- 6,582,397 B2 6/2003 Alesi et al.
- D483,487 S 12/2003 Harding et al.
- D492,774 S 7/2004 Cindrich et al.
- D497,990 S 11/2004 Jutila
- D505,200 S 5/2005 Simpson et al.
- 7,059,327 B2 * 6/2006 Worthington A61F 2/20
128/200.26
- D607,558 S 1/2010 Abry et al.
- D629,510 S 12/2010 Grunhut
- D637,713 S * 5/2011 Nord D24/129
- D655,017 S * 2/2012 Mosler D24/129
- D679,008 S * 3/2013 Schroeder D24/129
- D681,230 S * 4/2013 Mosler D24/129

(Continued)

Primary Examiner — David Muller

(74) *Attorney, Agent, or Firm* — The Webb Law Firm

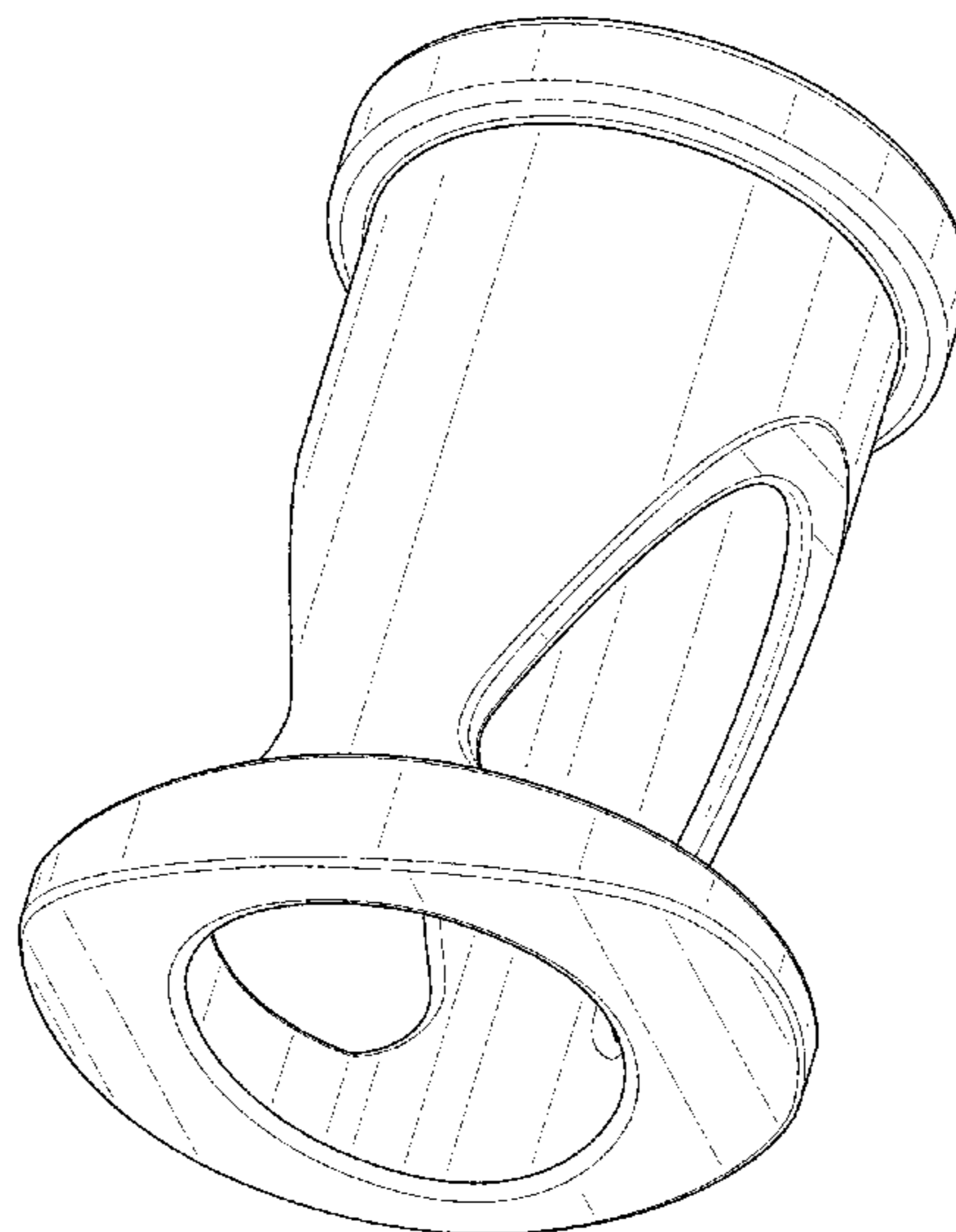
(57) **CLAIM**

The ornamental design for a T-shaped cap for a medical injector, as shown and described.

DESCRIPTION

FIG. 1 is a perspective view of a T-shaped cap for a medical injector in accordance with the present invention
 FIG. 2 is a front elevation view thereof;
 FIG. 3 is a rear elevation view thereof;
 FIG. 4 is a left side elevation view thereof;
 FIG. 5 is a right side elevation view thereof;
 FIG. 6 is a top plan view thereof;
 FIG. 7 is a bottom plan view thereof; and,
 FIG. 8 is a perspective view thereof, shown engaged with an injector.
 The broken lines representing the interior portion of the cap shown in FIGS. 6 and 7 and the injector shown in FIG. 8 represent disclaimed subject matter and form no part of the claimed design.

1 Claim, 8 Drawing Sheets



(56)

References Cited

U.S. PATENT DOCUMENTS

D702,343	S	*	4/2014	Dale	D24/129
D702,835	S	*	4/2014	Vinchon	D24/130
D709,753	S	*	7/2014	Guala	D24/112
D718,439	S	*	11/2014	Woehr	D24/130
D750,239	S	*	2/2016	Pappalardo	D24/130
D750,258	S	*	2/2016	Crossley	D24/129
D751,192	S	*	3/2016	She	D24/127
D768,850	S	*	10/2016	Rozwadowski	D24/130
2001/0044606	A1		11/2001	Inkpen et al.		
2004/0133172	A1		7/2004	Wilkinson		
2004/0210197	A1		10/2004	Conway		
2008/0228147	A1		9/2008	David-Hegerich et al.		
2009/0312705	A1		12/2009	Grunhut et al.		

* cited by examiner

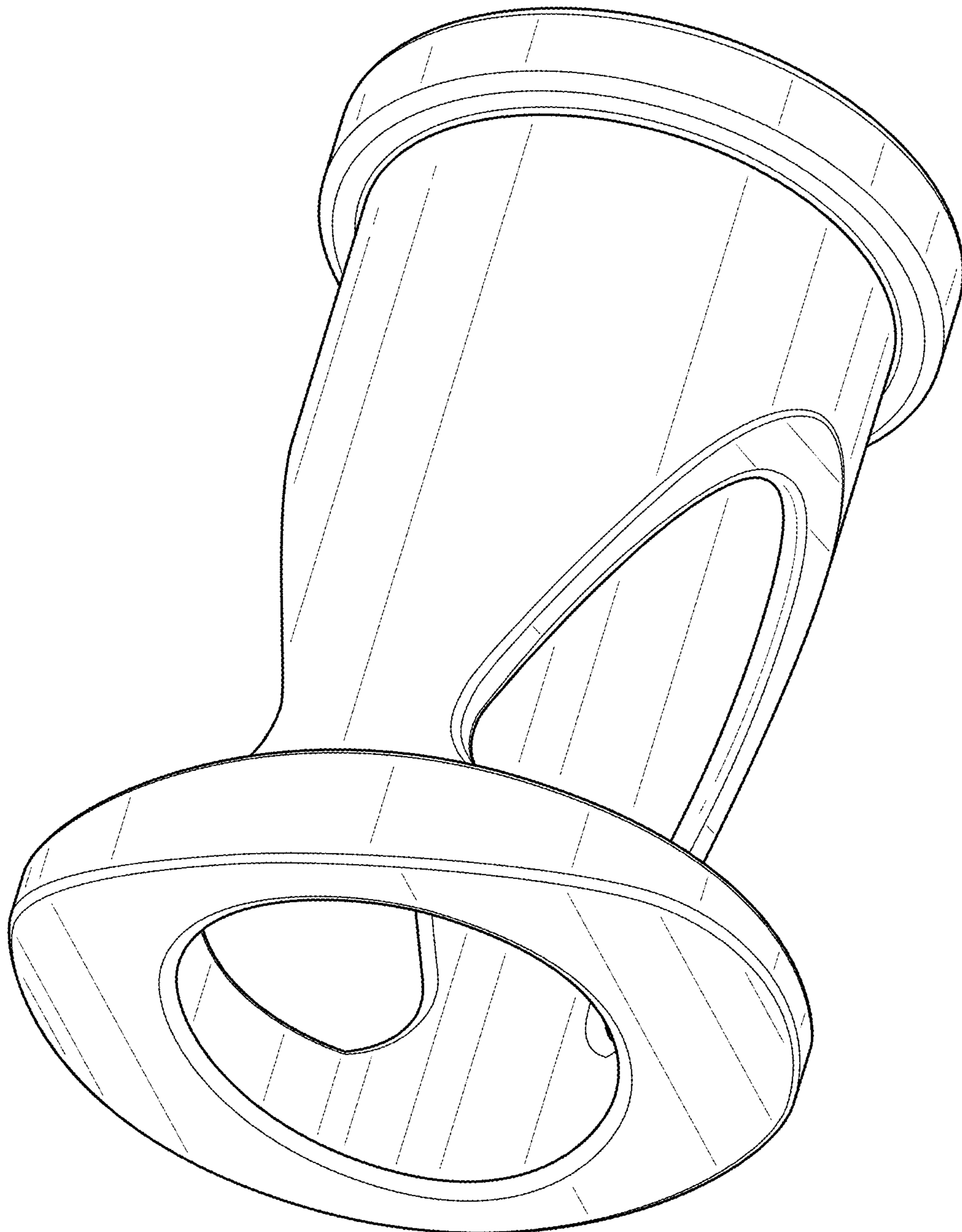


FIG. 1

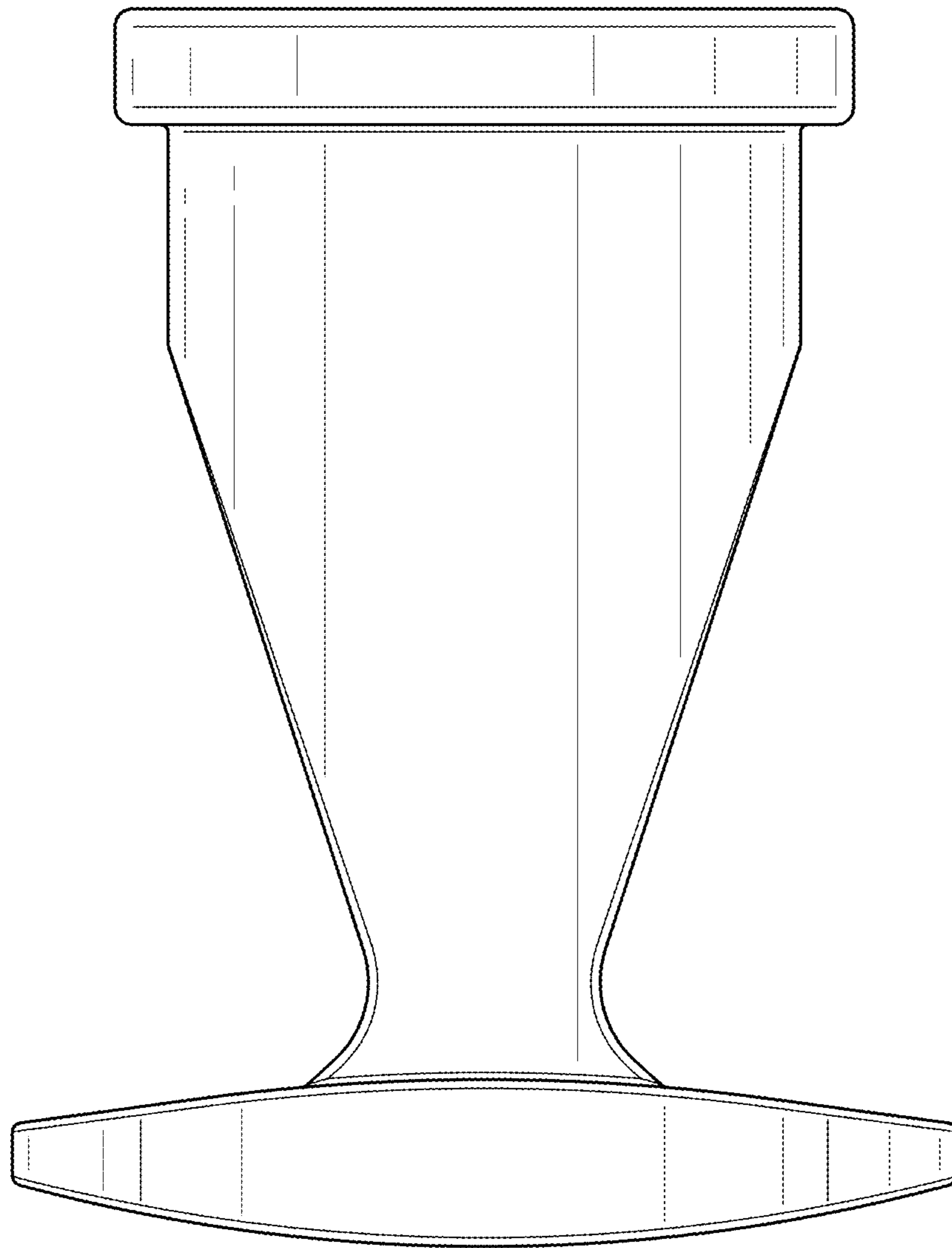


FIG. 2

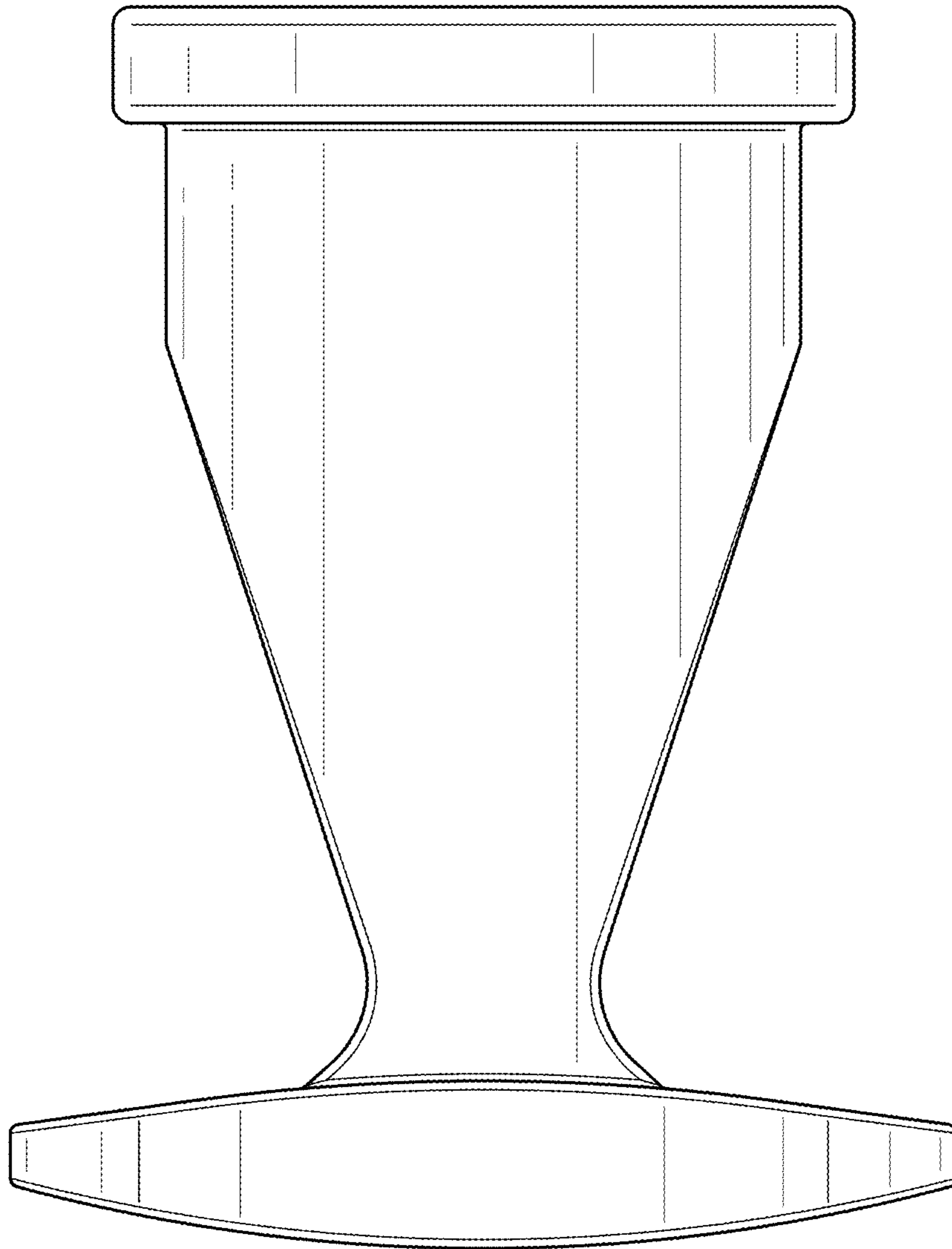


FIG. 3

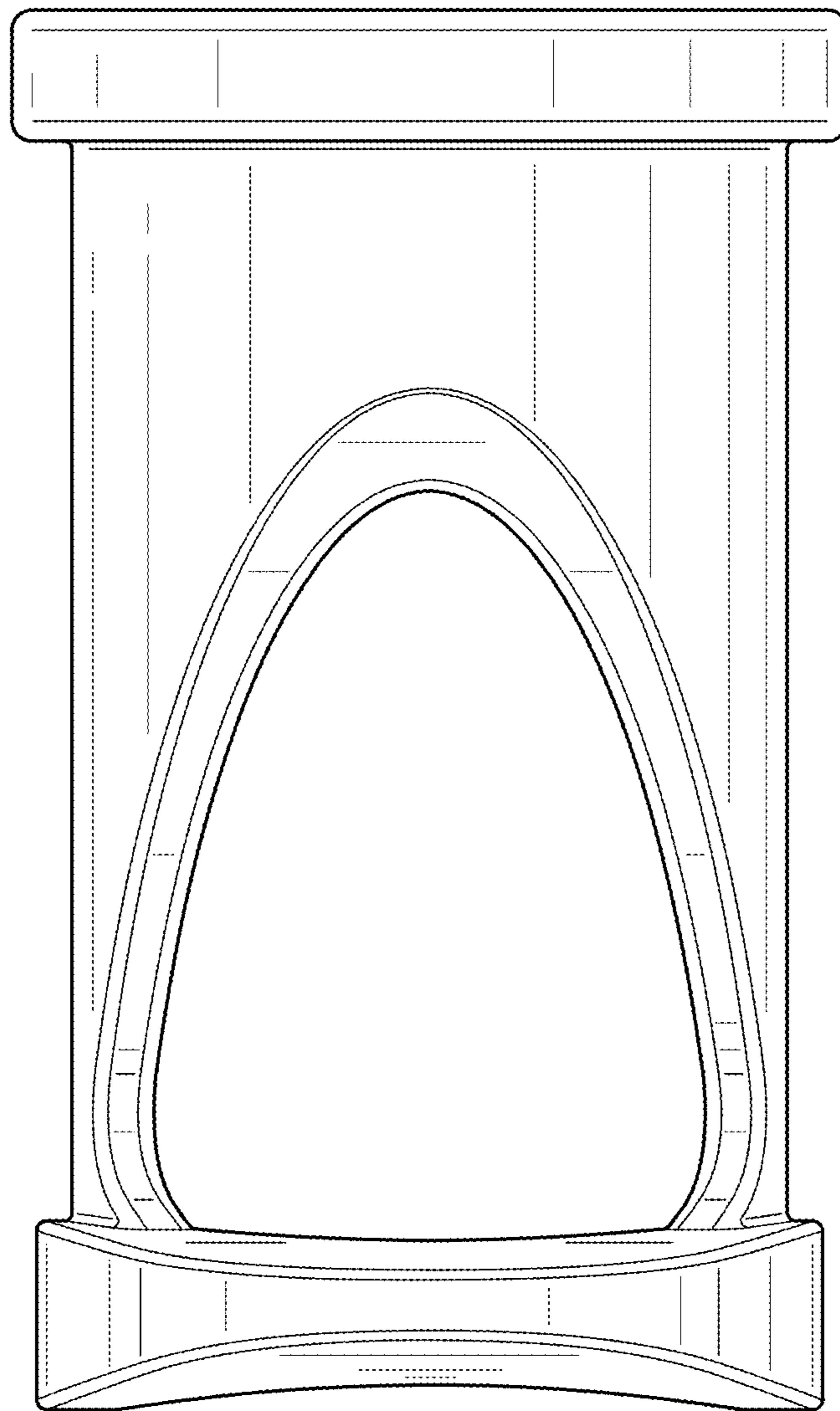


FIG. 4

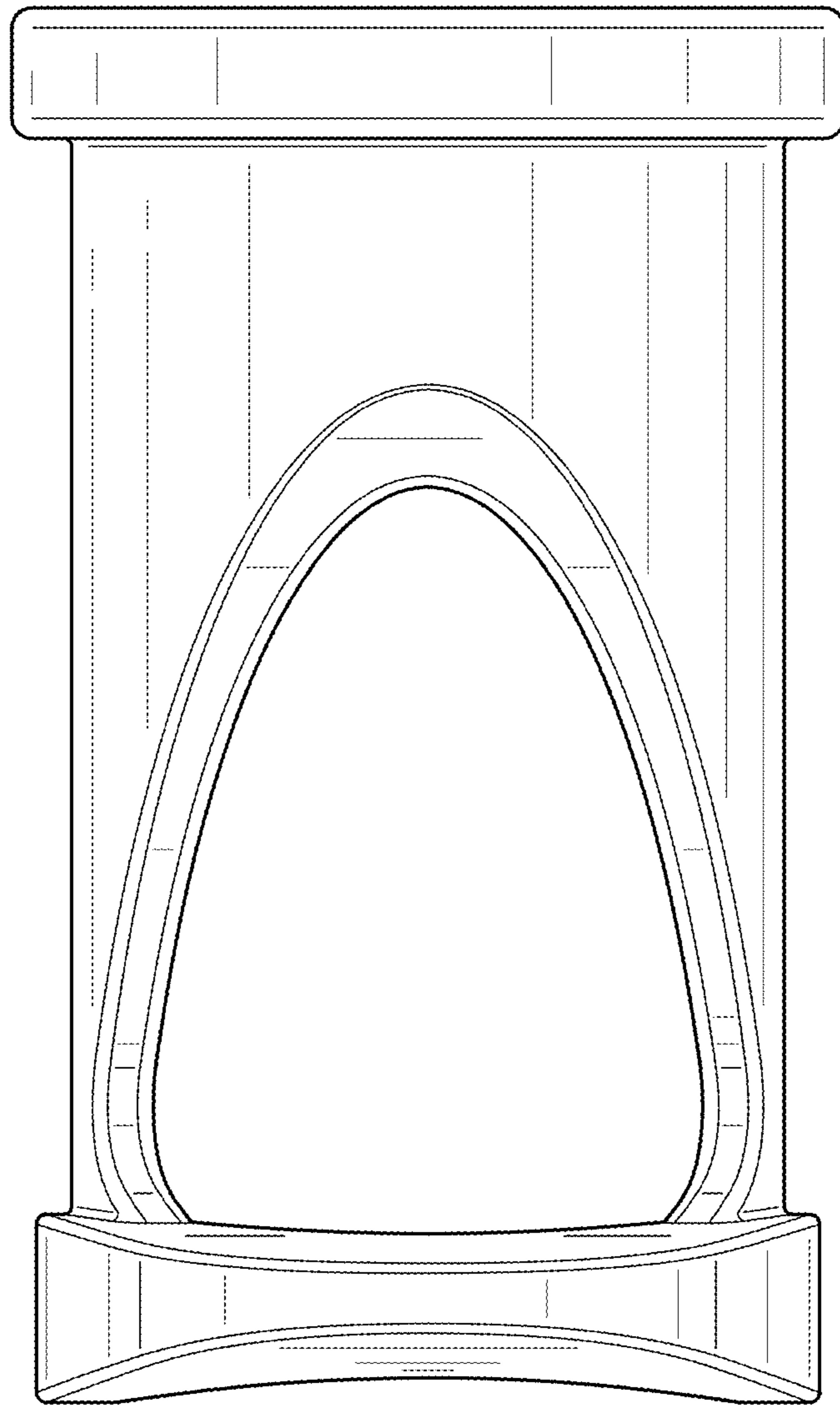


FIG. 5

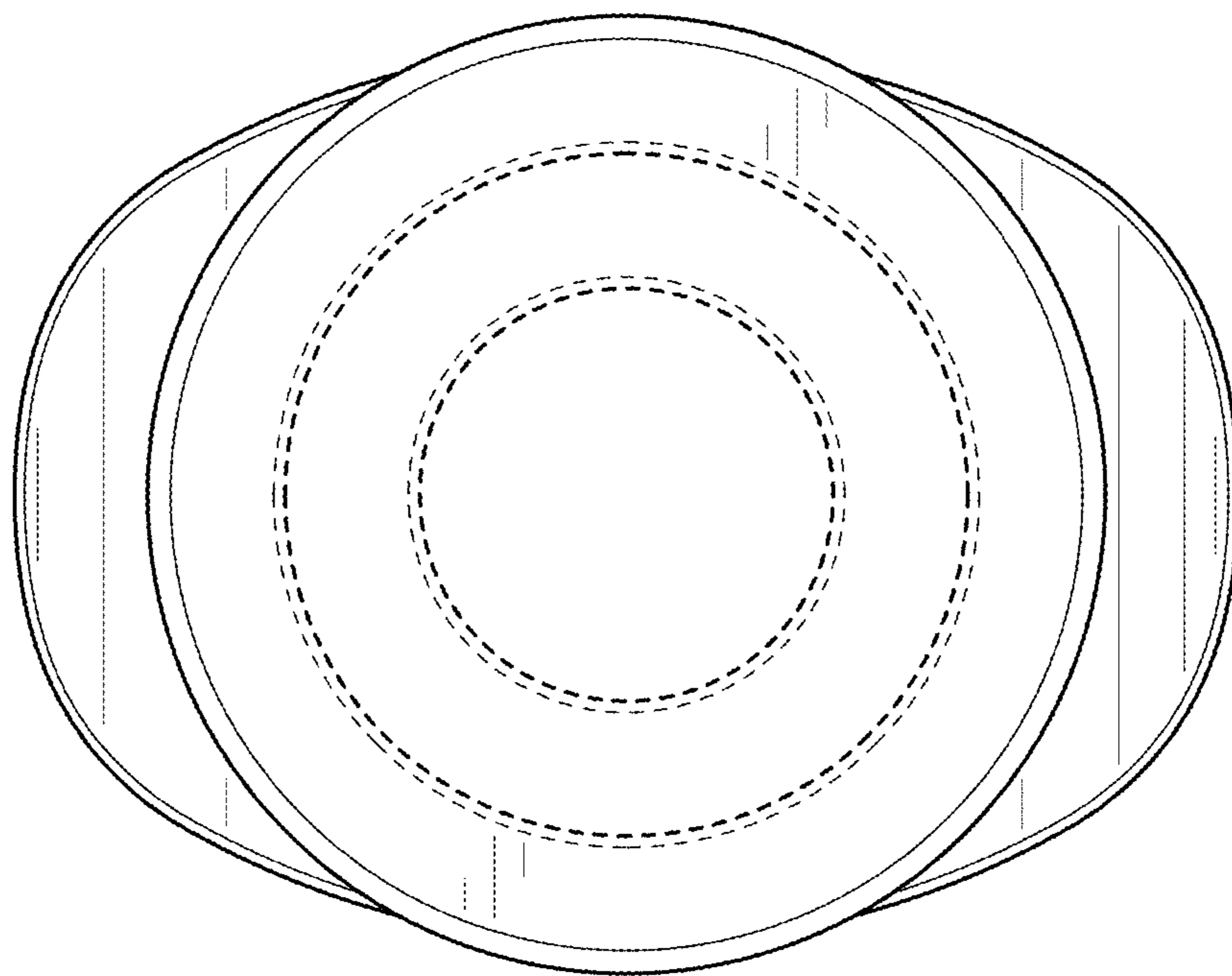


FIG. 6

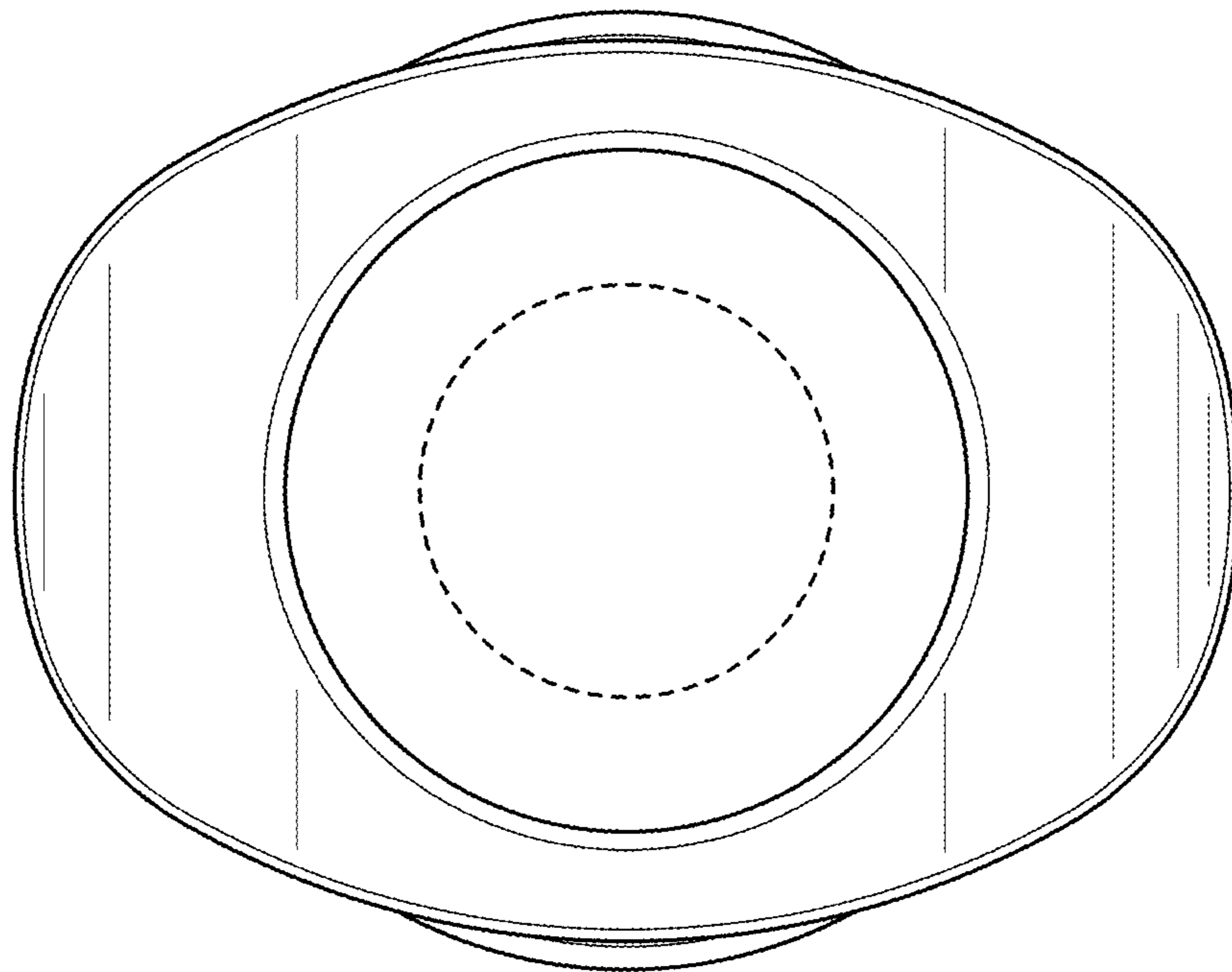


FIG. 7

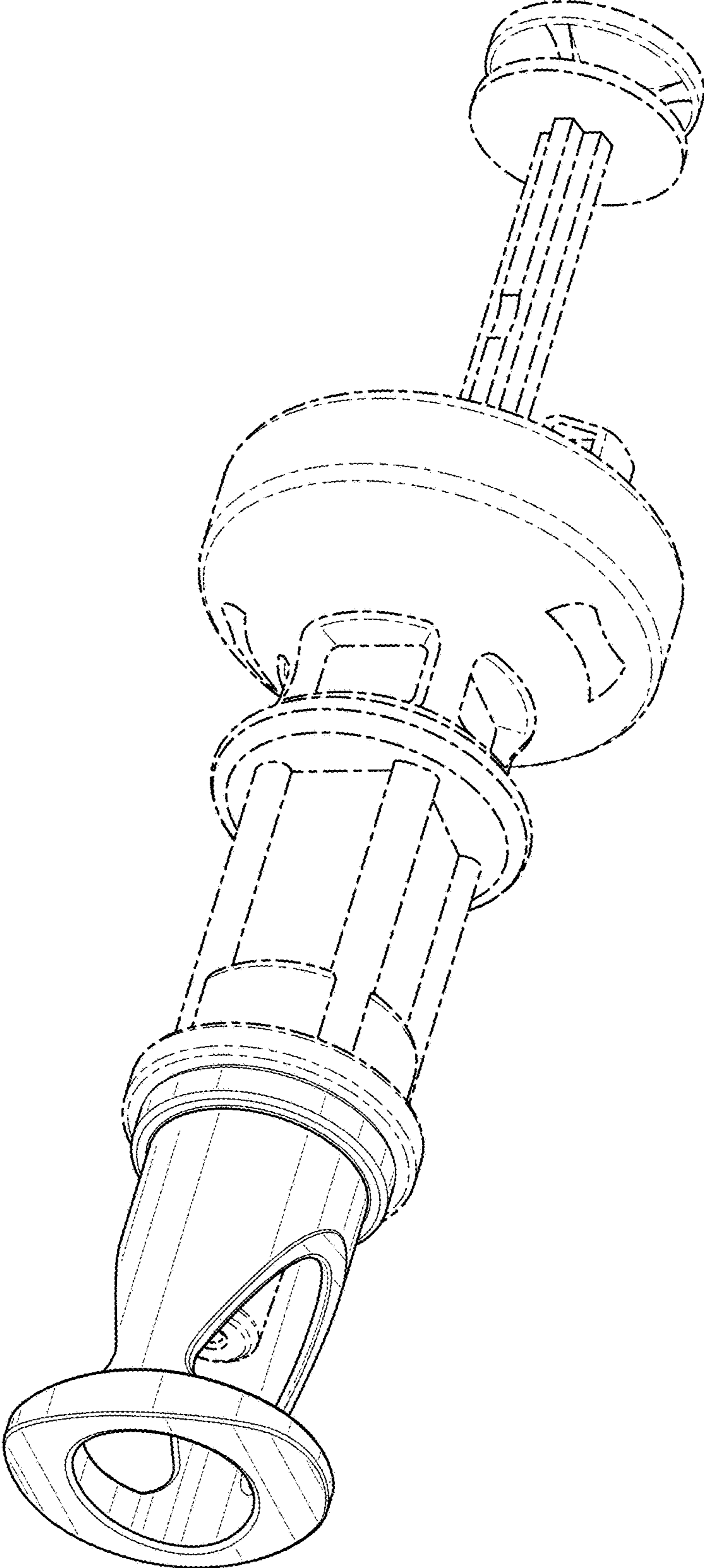


FIG. 8