



US00D784523S

(12) **United States Design Patent** (10) **Patent No.:** **US D784,523 S**
Kearns et al. (45) **Date of Patent:** **** Apr. 18, 2017**

(54) **CATHETER GRIPPER AID**
(71) Applicant: **Hollister Incorporated**, Libertyville, IL (US)
(72) Inventors: **Barbara J. Kearns**, Balla (IE); **David A. Knauz**, Riverwoods, IL (US); **Daniel A. March**, Lake Villa, IL (US); **Adam J. Foley**, Swords (IE); **Martin McMenamin**, Lifford (IE); **Michael G. Murray**, Ballina (IE)

5,334,166 A 8/1994 Palestrant
5,368,575 A 11/1994 Chang
5,792,114 A 8/1998 Fiore
5,871,475 A 2/1999 Frassica
6,090,075 A 7/2000 House
D429,526 S * 8/2000 Sullivan D24/133
6,355,004 B1 3/2002 Pedersen et al.
6,402,726 B1 6/2002 Genese
6,578,709 B1 6/2003 Kavanagh et al.
6,602,244 B2 8/2003 Kavanagh et al.
(Continued)

(73) Assignee: **Hollister Incorporated**, Libertyville, IL (US)

FOREIGN PATENT DOCUMENTS
EP 0972536 A1 1/2000
EP 2016821 A1 1/2009
(Continued)

(**) Term: **14 Years**

Primary Examiner — David Muller
Assistant Examiner — Nathan Johnston
(74) *Attorney, Agent, or Firm* — Cook Alex Ltd.

(21) Appl. No.: **29/511,409**

(22) Filed: **Dec. 10, 2014**

(51) **LOC (10) Cl.** **24-01**

(52) **U.S. Cl.**
USPC **D24/127**

(58) **Field of Classification Search**
USPC D24/127–131, 112–114, 133, 186;
606/181, 185; 604/264, 272, 115, 232,
604/187, 158, 164.08, 192, 263, 163, 181,
604/184, 198, 227; 600/101, 139, 143;
128/200.24, 207.14, 207.15
CPC ... A61B 34/30; A61B 34/37; A61B 17/00234;
A61B 2034/301; A61B 17/29
See application file for complete search history.

(57) **CLAIM**

The ornamental design for a catheter gripping aid, as shown and described.

DESCRIPTION

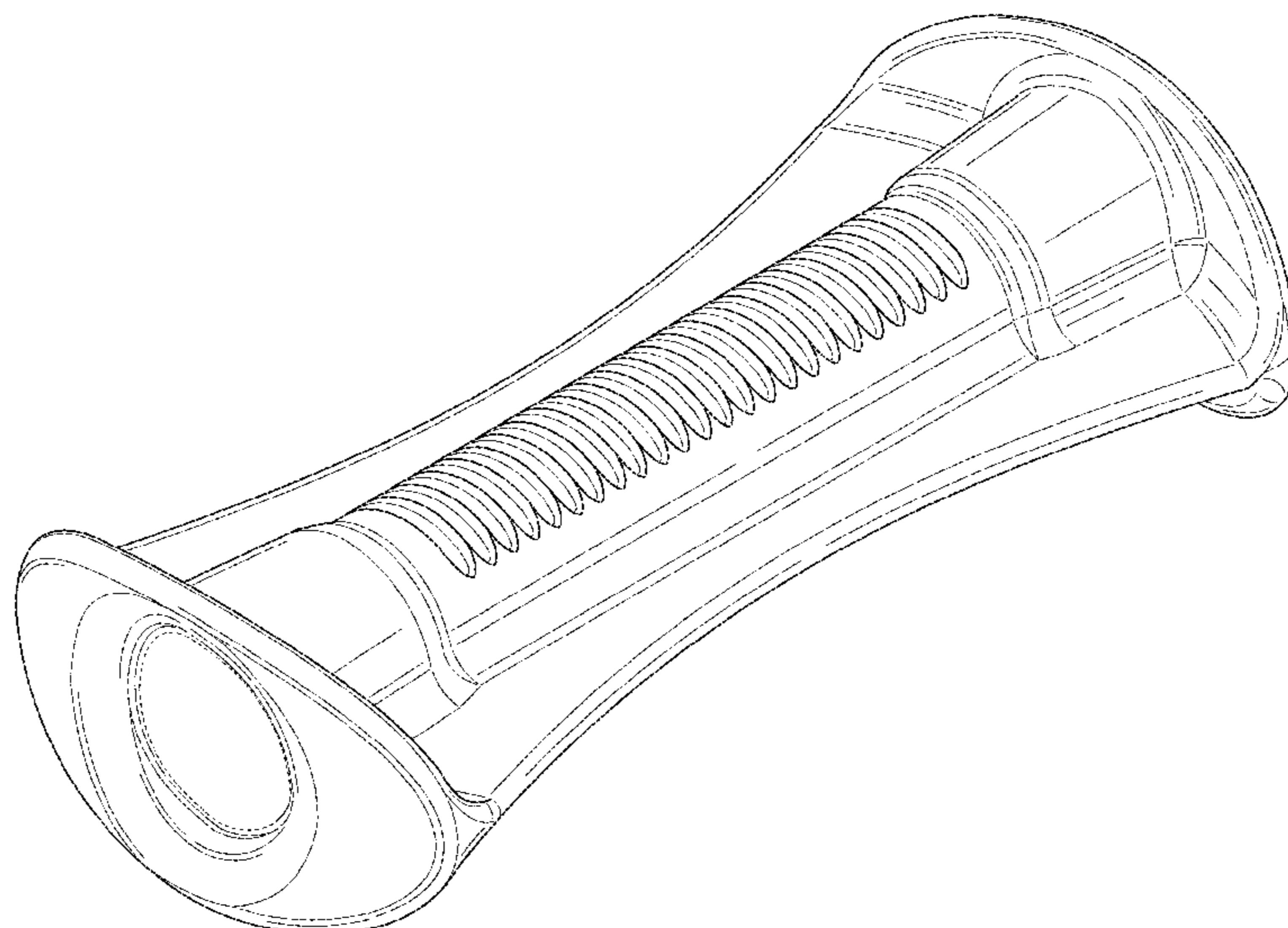
FIG. 1 is a perspective view of a catheter gripping aid, showing the new design;
FIG. 2 is a right side elevational view thereof, the left side elevational view being a mirror image;
FIG. 3 is a top plan view thereof, the bottom plan view being a mirror image;
FIG. 4 is a rear elevational view thereof; and,
FIG. 5 is a front elevational view thereof.
The dashed lines immediately adjacent to the shaded areas in FIG. 1 represent the boundaries of the claimed design. The dashed lines in the figures illustrate the portions of the design that form no part of the claimed design. None of the broken lines form any part of the claimed design.

(56) **References Cited**

U.S. PATENT DOCUMENTS

3,154,080 A 10/1964 Rowan et al.
3,421,509 A 1/1969 Fiore
4,051,849 A 10/1977 Poncy et al.
4,834,711 A 5/1989 Greenfield et al.
D336,957 S * 6/1993 Koros D24/133
5,242,428 A 9/1993 Palestrant

1 Claim, 3 Drawing Sheets



(56)

References Cited

U.S. PATENT DOCUMENTS

7,094,220 B2 8/2006 Tanghoj et al.
 7,601,158 B2 10/2009 House
 7,632,256 B2 12/2009 Mosler et al.
 D612,044 S * 3/2010 Scheibe D24/130
 D616,089 S * 5/2010 Van der Stappen D24/113
 7,938,807 B2 5/2011 House
 7,963,908 B2 6/2011 Lindberg
 8,181,778 B1 5/2012 van Groningen et al.
 8,328,792 B2 12/2012 Nishtala et al.
 8,512,313 B2 * 8/2013 Atkinson A61M 25/0017
 604/264
 8,523,823 B2 9/2013 Ostfeld et al.
 D718,437 S * 11/2014 Osypka D24/127
 D718,441 S * 11/2014 Carus D24/133
 D737,972 S * 9/2015 Chen D24/133
 2003/0018322 A1 1/2003 Tanghoj et al.
 2005/0096688 A1 5/2005 Slazas et al.
 2007/0118081 A1 * 5/2007 Daily A61M 5/326
 604/198
 2008/0051630 A1 2/2008 Levey et al.

2009/0099532 A1 4/2009 Cuevas et al.
 2010/0258568 A1 10/2010 Frederiksen et al.
 2010/0286664 A1 11/2010 Haslinger
 2011/0060317 A1 3/2011 Frojd
 2012/0168324 A1 7/2012 Carleo
 2012/0239005 A1 9/2012 Conway et al.
 2013/0144271 A1 6/2013 Passadore et al.
 2013/0231641 A1 9/2013 Gustavsson
 2014/0066904 A1 3/2014 Young
 2014/0066905 A1 3/2014 Young
 2014/0209121 A1 * 7/2014 Kamen B08B 3/047
 134/18
 2015/0231365 A1 * 8/2015 Stenzel A61M 25/0127
 600/417

FOREIGN PATENT DOCUMENTS

GB 322426 12/1929
 WO WO 2006121508 A2 11/2006
 WO WO 2011011023 A1 1/2011
 WO WO 2012176189 A1 12/2012

* cited by examiner

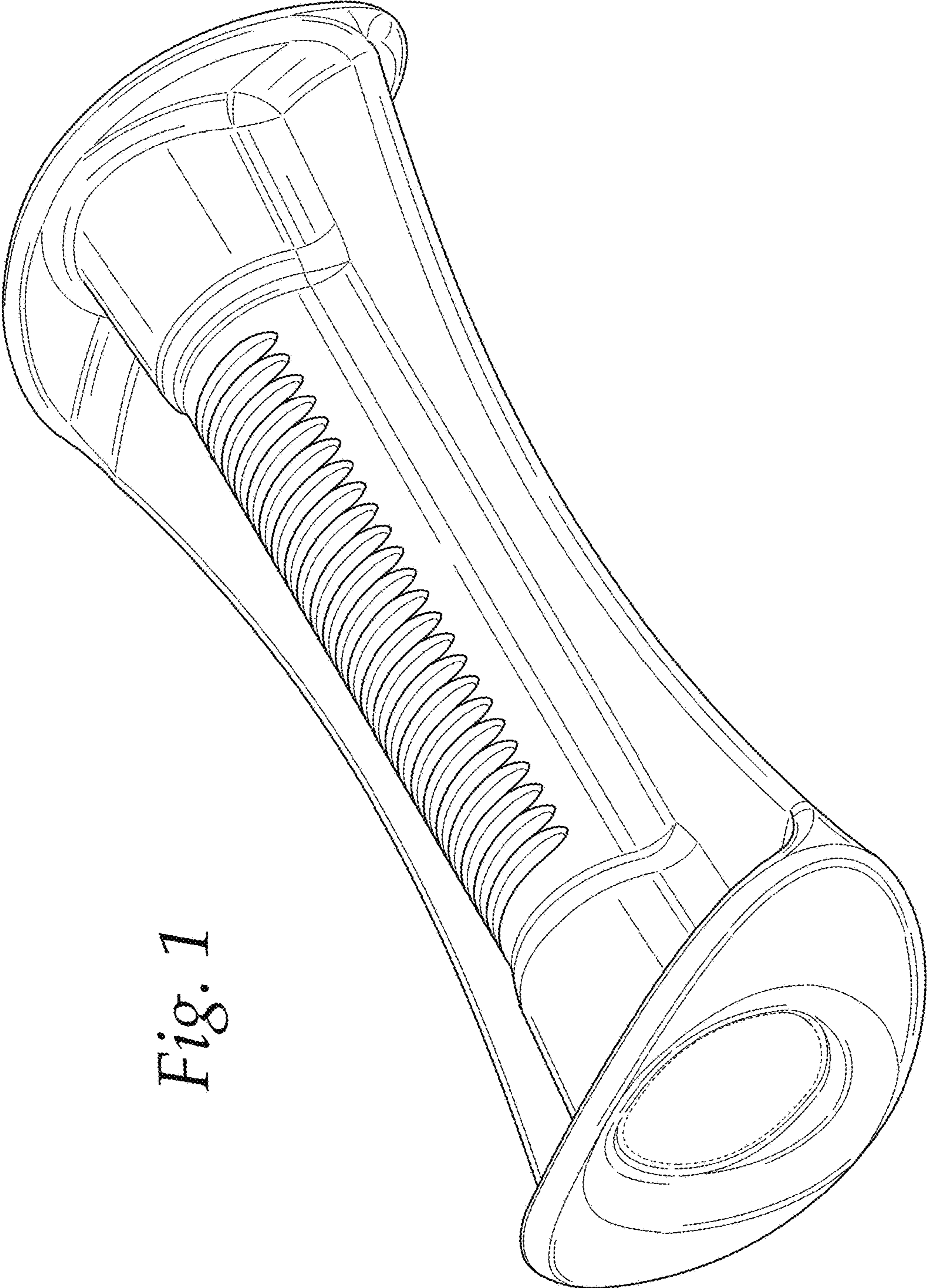


Fig. 1

Fig. 3

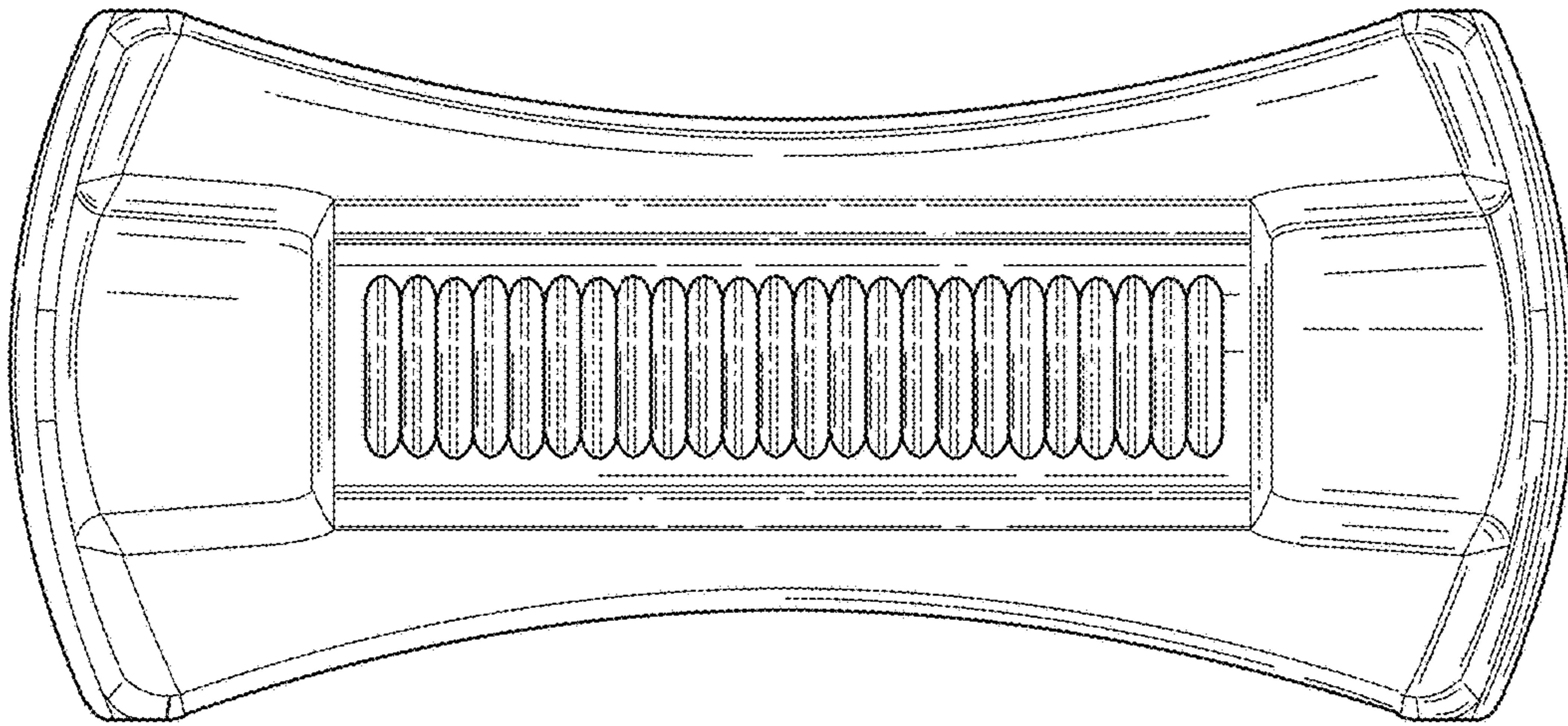
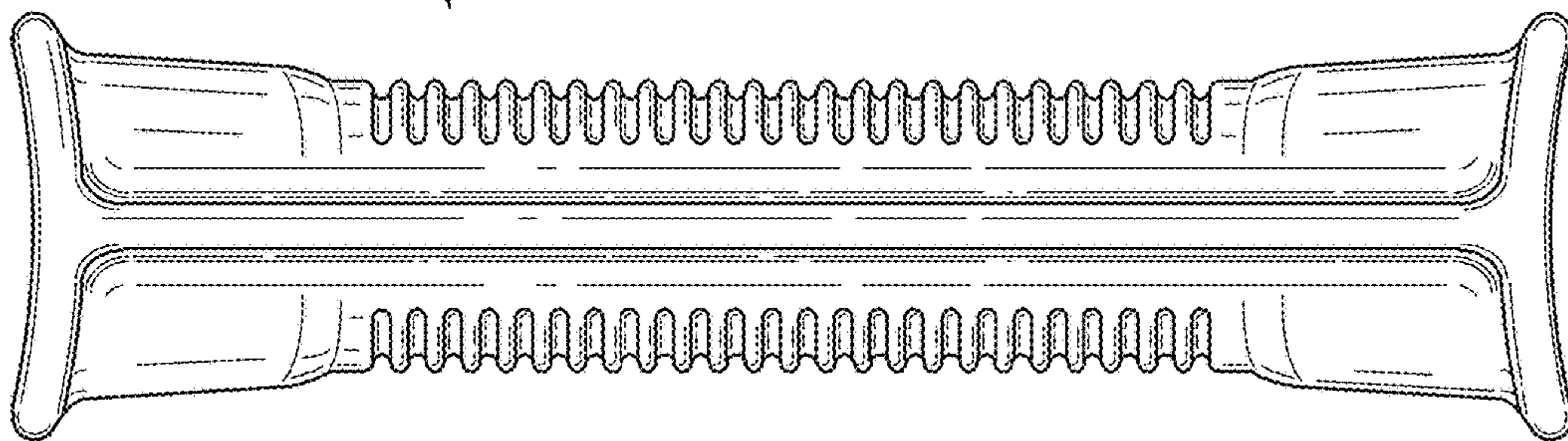


Fig. 2



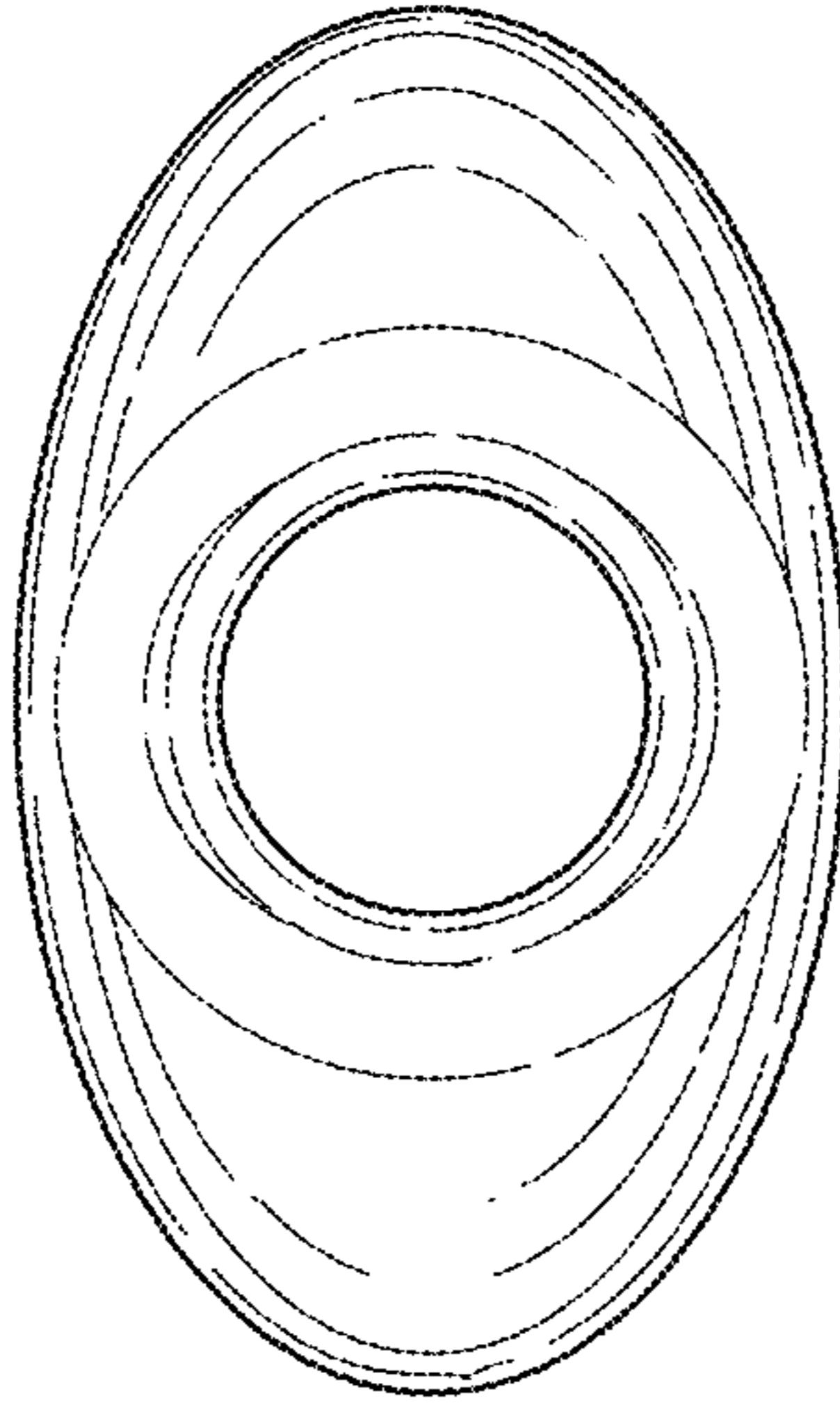


Fig. 5

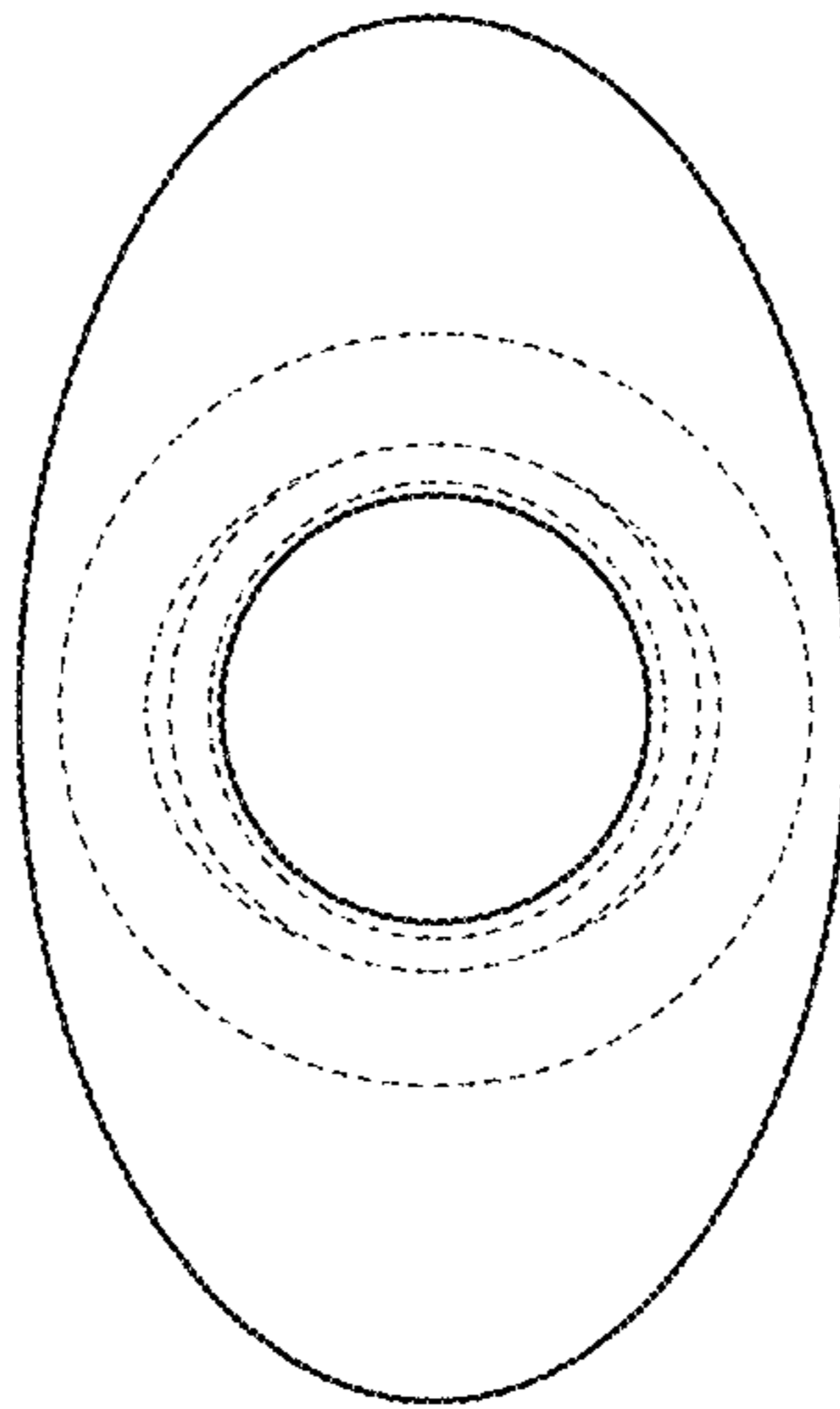


Fig. 4