



US00D784514S

(12) **United States Design Patent** (10) **Patent No.:** **US D784,514 S**
Duval (45) **Date of Patent:** **** Apr. 18, 2017**

- (54) **HUMIDIFICATION MASK**
- (71) Applicant: **Magus Specialised Funds (Pty) Ltd**,
Constantia, Cape Town (ZA)
- (72) Inventor: **Paul Marc Duval**, Cape St. Francis
(ZA)
- (73) Assignee: **MAGNUS SPECIALISED FUNDS
(PTY) LTD (ZA)**
- (**) Term: **15 Years**
- (21) Appl. No.: **29/539,008**
- (22) Filed: **Sep. 10, 2015**
- (30) **Foreign Application Priority Data**
 Mar. 11, 2015 (ZA) A2015/00417
- (51) **LOC (10) Cl.** **29-02**
- (52) **U.S. Cl.**
 USPC **D24/110.1**
- (58) **Field of Classification Search**
 USPC D24/107-108, 110-114, 127, 162, 164,
 D24/185-186
 CPC A62B 18/086; A62B 18/00; A62B 18/08;
 A62B 7/00; A62B 9/003; A61M 15/00;
 A61M 16/06; A61M 16/1045; A61M
 16/16
 See application file for complete search history.

- (56) **References Cited**
- U.S. PATENT DOCUMENTS
- D189,009 S * 10/1960 Muller D24/110.4
 D236,033 S * 7/1975 Dryden D24/110.4
 4,705,033 A * 11/1987 Halfpenny A61M 16/16
 128/201.13
 4,941,467 A * 7/1990 Takata A61M 16/06
 128/203.12

- D362,061 S * 9/1995 McGinnis D24/110.4
 D388,873 S * 1/1998 Richards D24/110.4
 D397,215 S * 8/1998 Hoftman D24/110.4
 D499,803 S * 12/2004 Chang D24/110.1
 D679,376 S * 4/2013 von Hollen D24/110.1
 D679,377 S * 4/2013 von Hollen D24/110.1
 D679,378 S * 4/2013 von Hollen D24/110.1
 2011/0297152 A1 * 12/2011 Duveen A61M 16/06
 128/203.29

* cited by examiner

Primary Examiner — Barbara Fox
Assistant Examiner — Lilyana Bekic
 (74) *Attorney, Agent, or Firm* — Saliwanchik, Lloyd &
 Eisenschenk

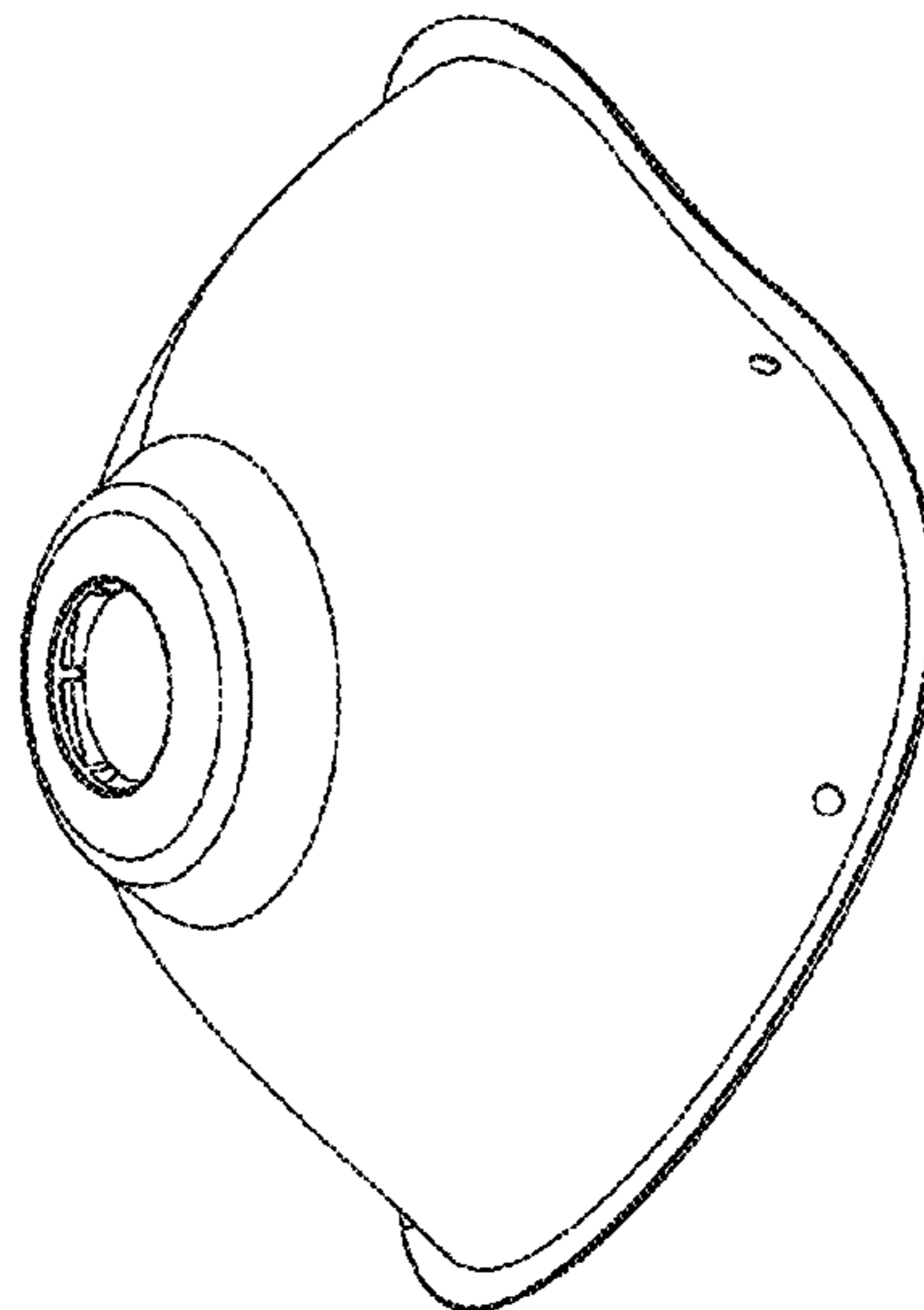
(57) **CLAIM**

The ornamental design for a humidification mask, as shown and described.

DESCRIPTION

FIG. 1 is a front side perspective view of a humidification mask showing the new design;
 FIG. 2 is a top plan view of the humidification mask shown in FIG. 1;
 FIG. 3 is a bottom plan view of the humidification mask shown in FIG. 1;
 FIG. 4 is a front view of the humidification mask shown in FIG. 1;
 FIG. 5 is a rear view of the humidification mask shown in FIG. 1;
 FIG. 6 is a side view of the humidification mask shown FIG. 1, from one side thereof; and,
 FIG. 7 is a side view of the humidification mask shown in FIG. 1, from the other side thereof.
 The broken lines in the drawings illustrate portions of the humidification mask that form no part of the claimed design.

1 Claim, 3 Drawing Sheets



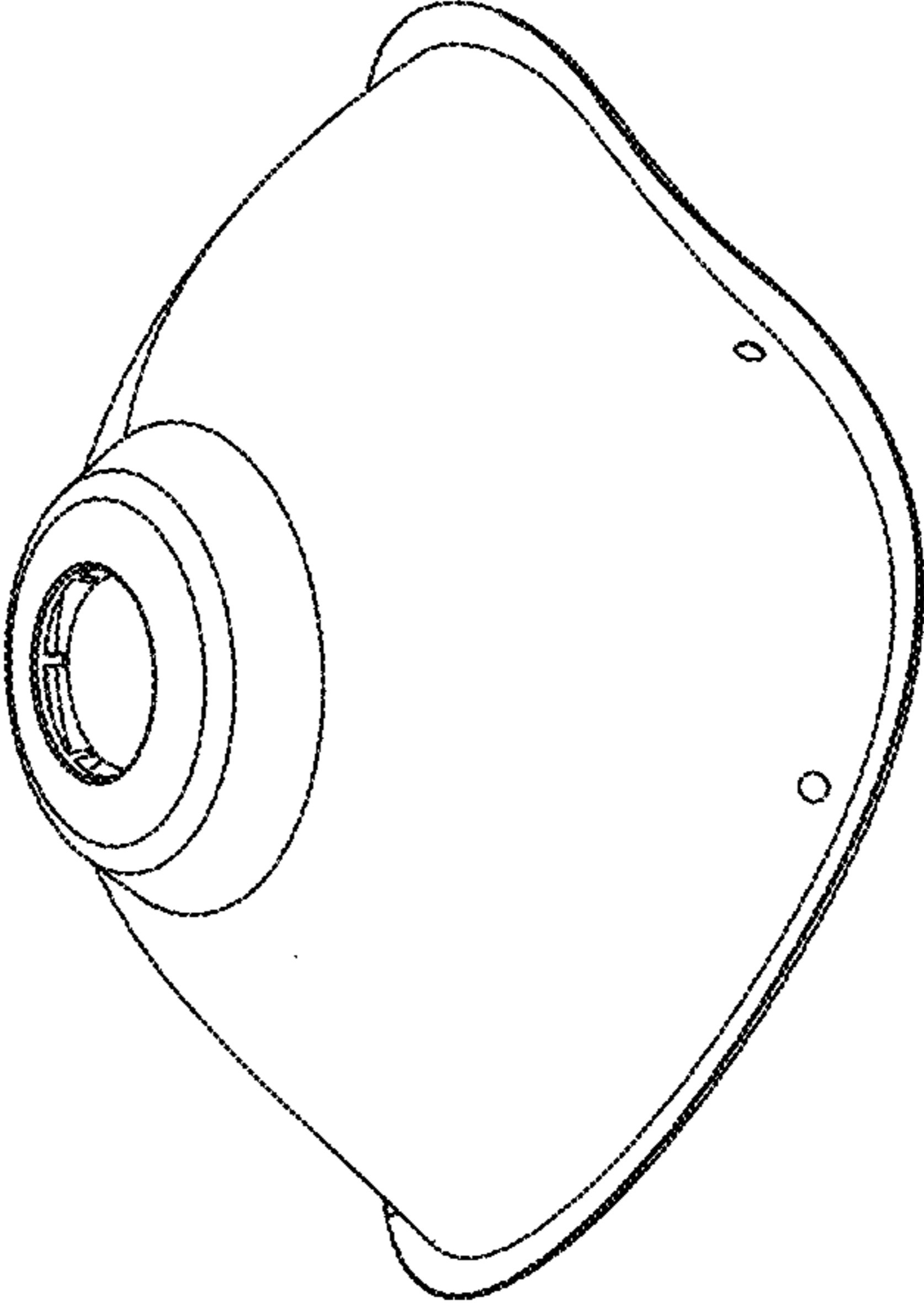


Figure 1

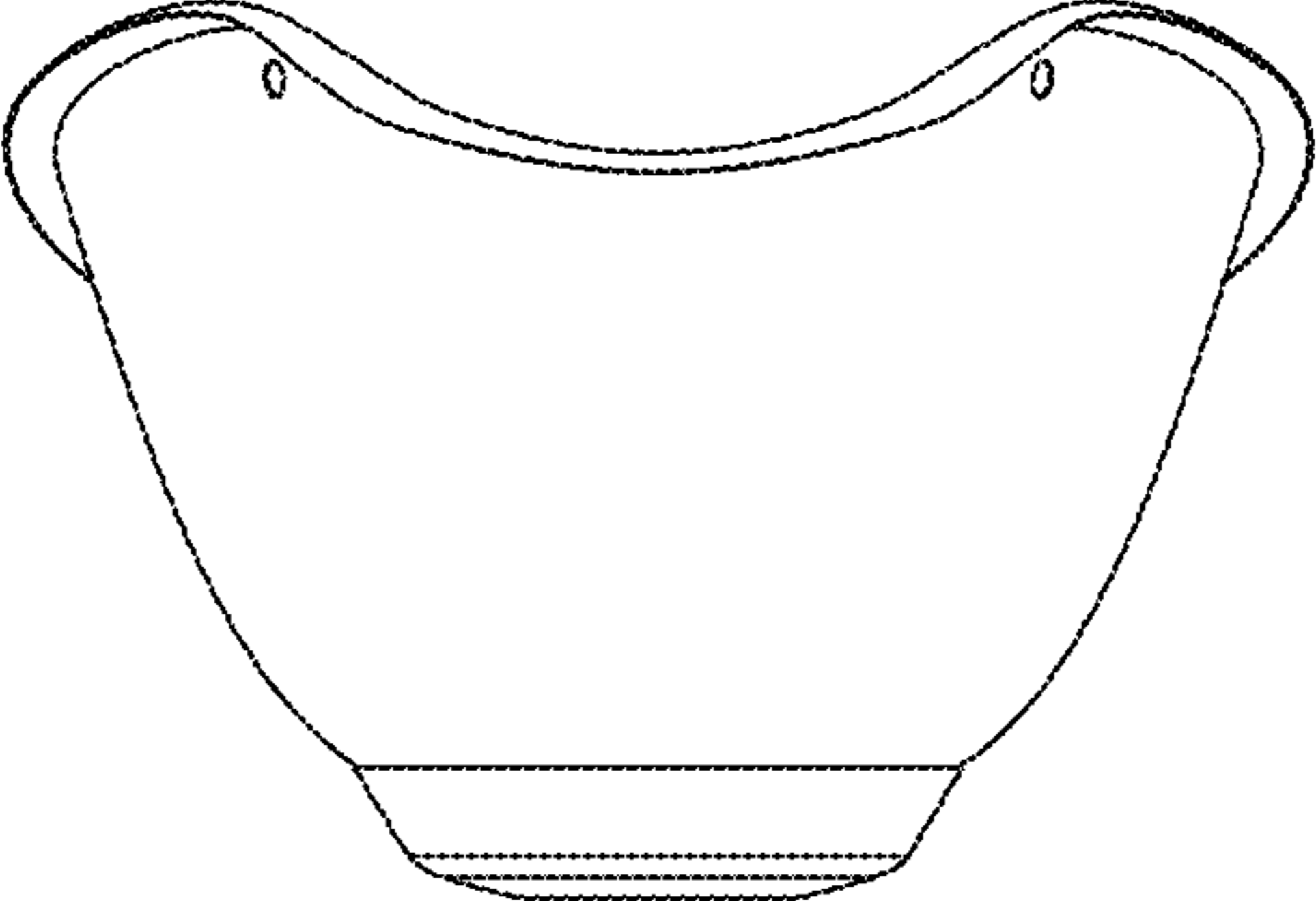


Figure 2

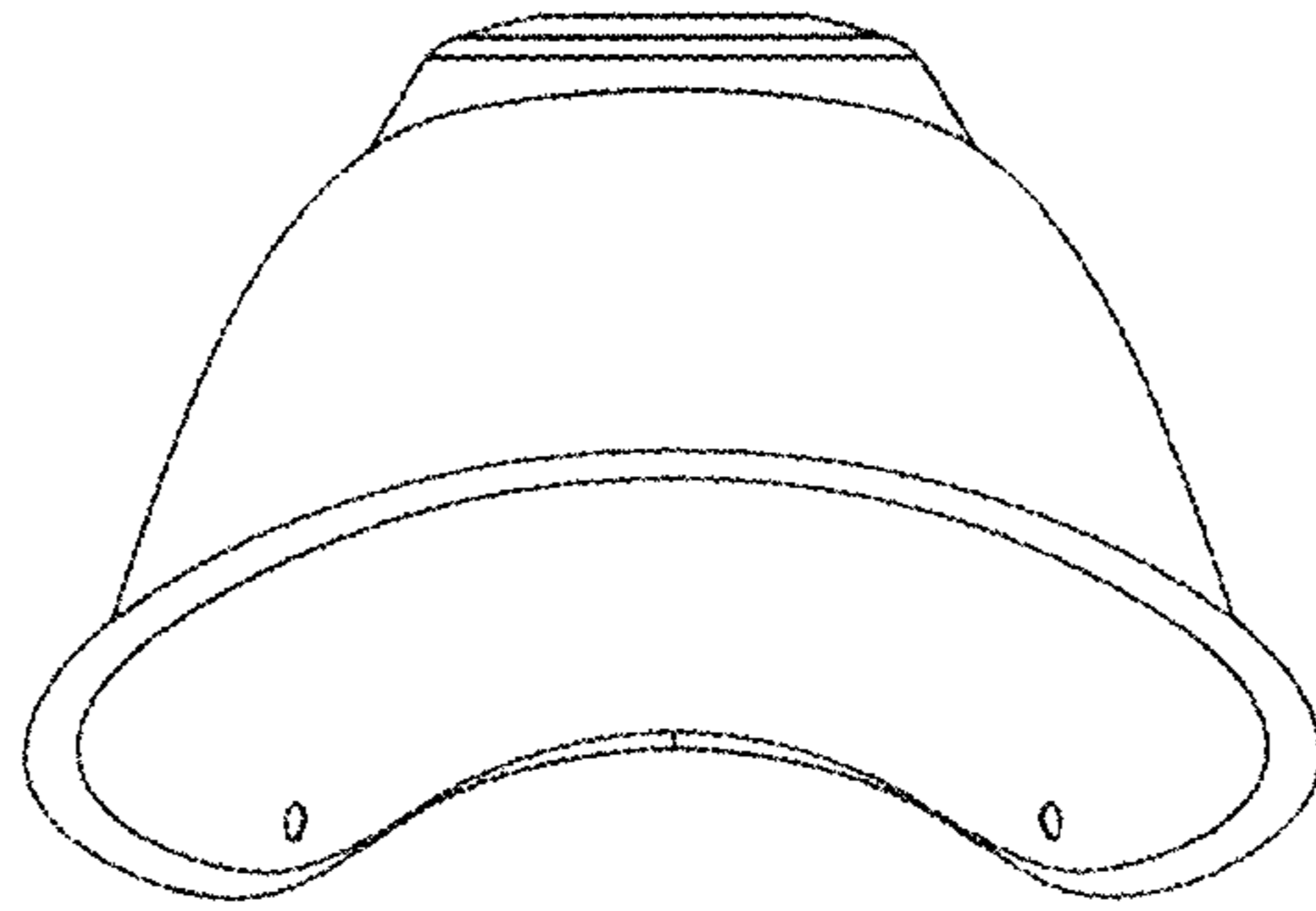


Figure 3

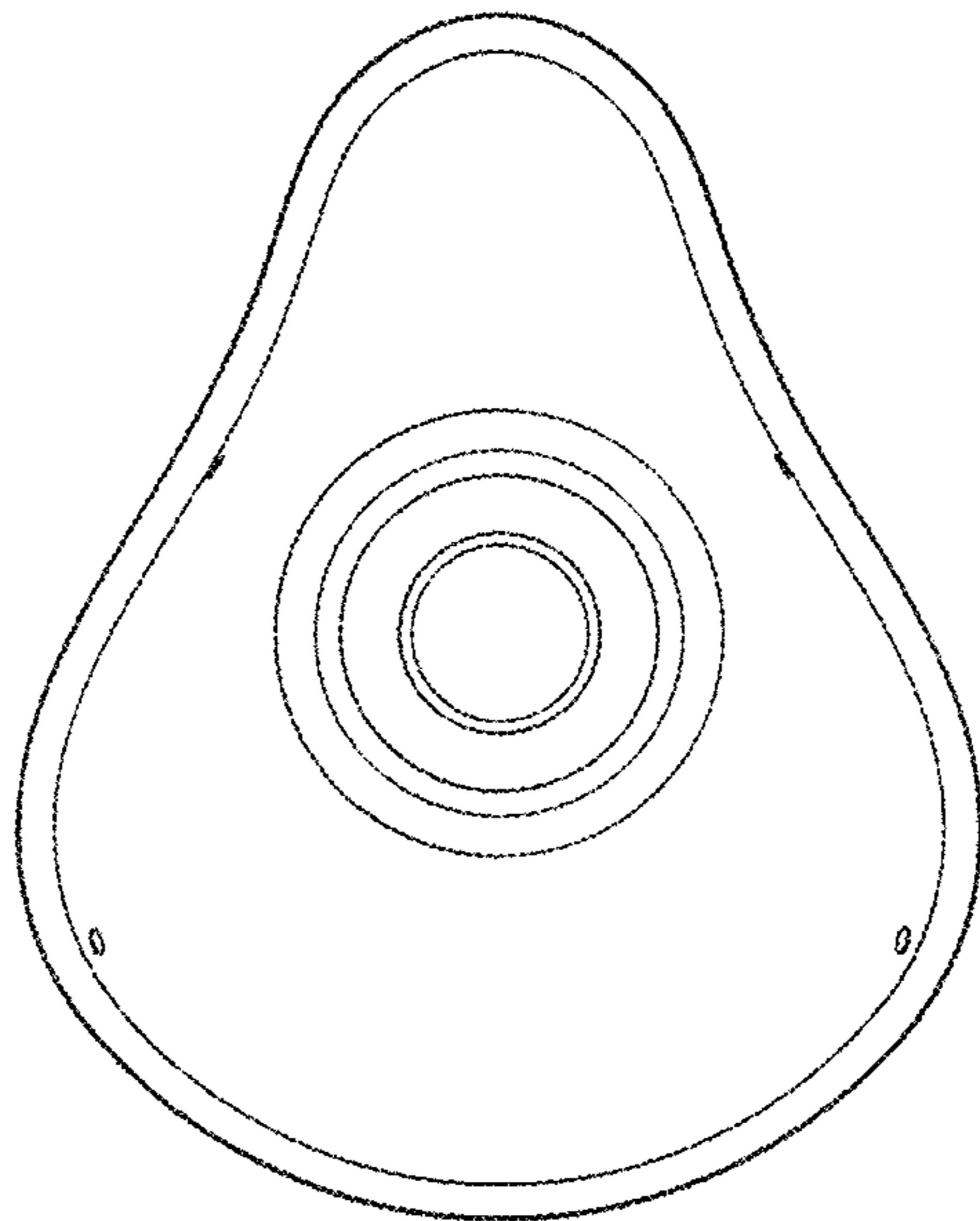


Figure 4

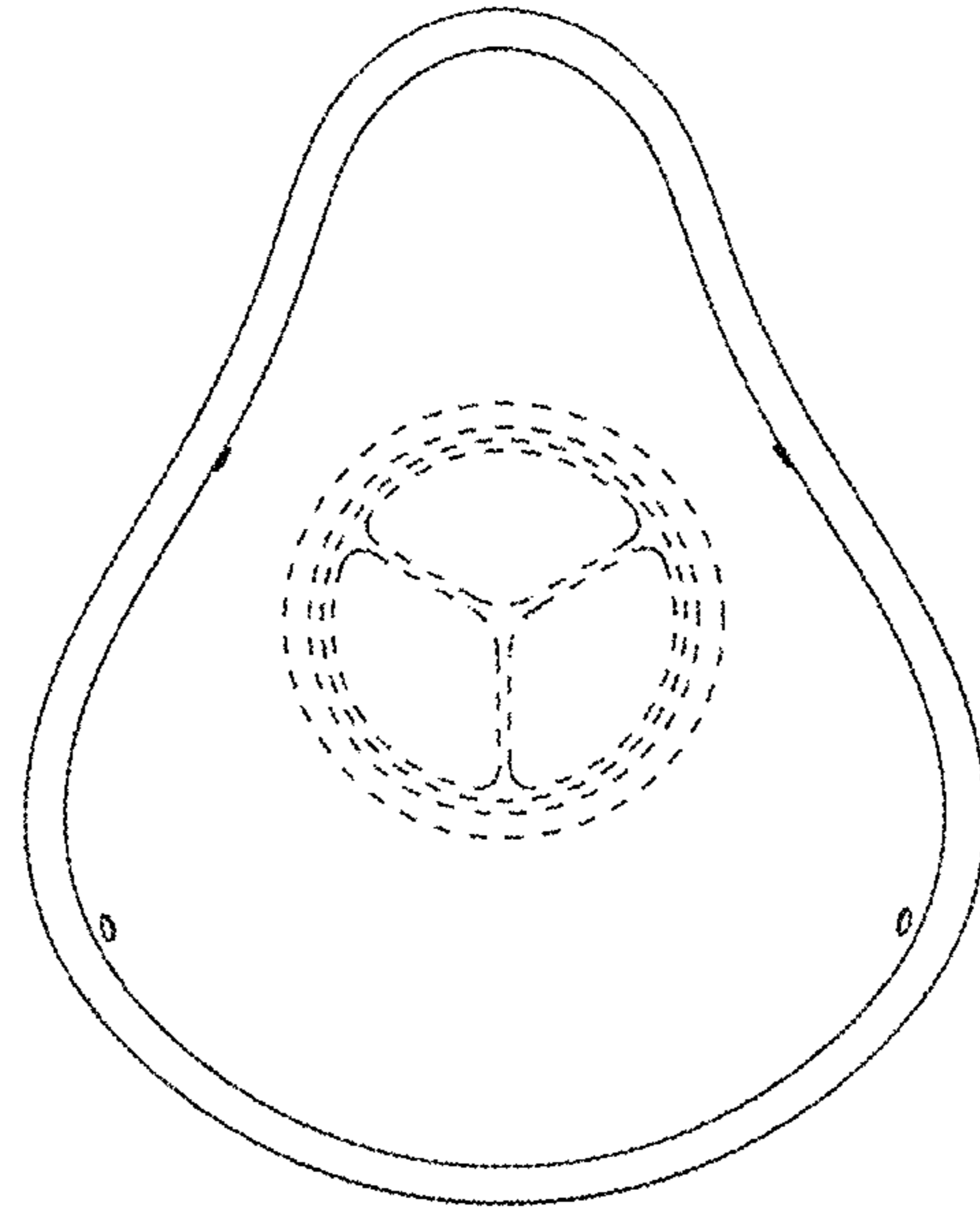


Figure 5

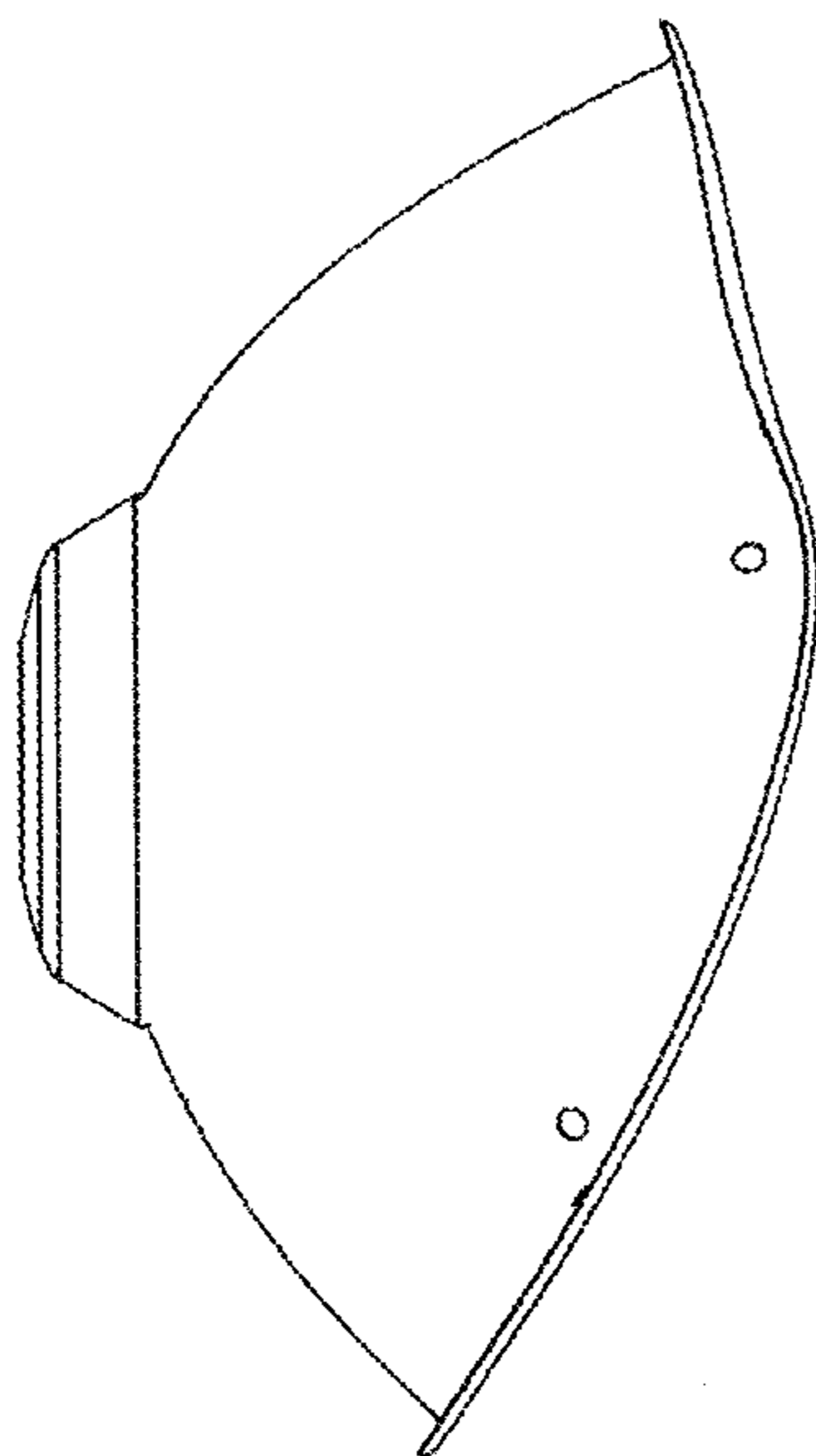


Figure 6

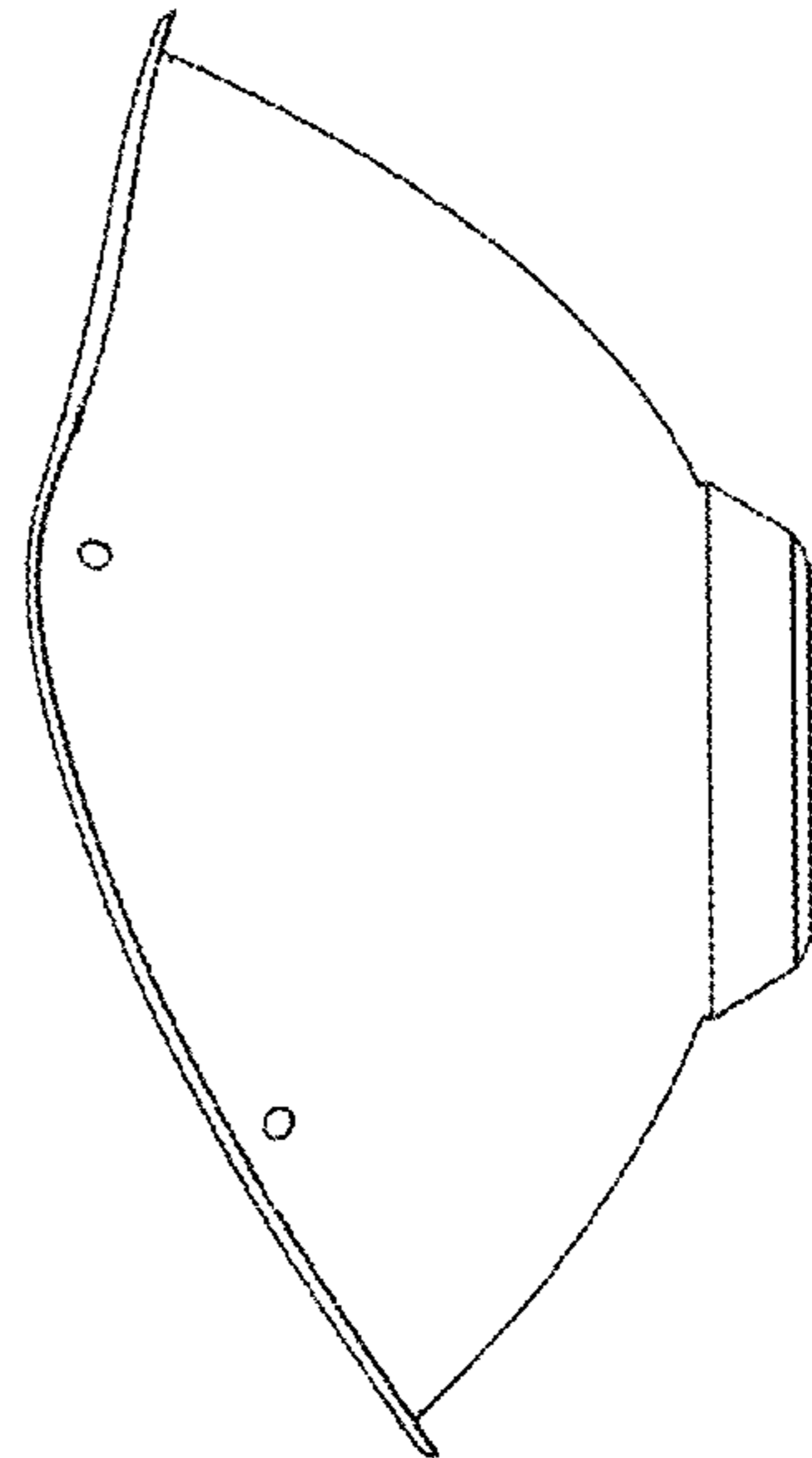


Figure 7