



US00D784512S

(12) **United States Design Patent** (10) **Patent No.:** **US D784,512 S**
Jonas et al. (45) **Date of Patent:** **** Apr. 18, 2017**

(54) **VENTILATOR GRILL**

- (71) Applicant: **Broan-NuTone LLC**, Hartford, WI (US)
- (72) Inventors: **Kenneth J. Jonas**, Mequon, WI (US); **Corey Scott Jacak**, West Bend, WI (US); **Benjamin Thorpe Puffer**, Hartford, WI (US); **Michael J. Alevan**, West Bent, WI (US)
- (73) Assignee: **Broan-NuTone LLC**, Hartford, WI (US)

(**) Term: **14 Years**

(21) Appl. No.: **29/514,063**

(22) Filed: **Jan. 8, 2015**

(51) **LOC (10) Cl.** **23-04**

(52) **U.S. Cl.**
USPC **D23/388**; D23/412

(58) **Field of Classification Search**
USPC D17/20, 22, 23; D11/143, 144;
D13/182; D23/323, 328, 333, 335, 336,
(Continued)

(56) **References Cited**

U.S. PATENT DOCUMENTS

- 2,220,127 A * 11/1940 Slayter B01D 46/00
210/495
- 2,576,860 A * 11/1951 Shapiro F16L 21/03
285/231

(Continued)

FOREIGN PATENT DOCUMENTS

- CA 163015 S 5/2016
- CA 163016 S 5/2016

(Continued)

OTHER PUBLICATIONS

Airvent 435103 Kitchen Extractor Fan, image post date May 14, 2014, site visited May 14, 2016, (online), <https://www.amazon.co.uk/Airvent-435103-Kitchen-Extractor-150mm/dp/B0085TQ75U/ref=pd_cp_107_3?ie=UTF8&refRID=1XMRP1Q1QR5H6NZ1MR7C>.*

(Continued)

Primary Examiner — Kevin Rudzinski

Assistant Examiner — Sean D Lough

(74) *Attorney, Agent, or Firm* — Schwegman Lundberg & Woessner, P.A.

(57) **CLAIM**

The ornamental design for a ventilator grill, as shown and described.

DESCRIPTION

FIG. 1 is a perspective view of the first embodiment of the ventilator grill.

FIG. 2 is a front view thereof. The back view being a mirror image of this view.

FIG. 3 is a side view thereof. The other side being a mirror image of this side view.

FIG. 4 is a top view thereof.

FIG. 5 is a bottom view thereof.

FIG. 6 is a perspective view of the second embodiment thereof.

FIG. 7 is a front view thereof. The back view being a mirror image of this view.

FIG. 8 is a side view thereof. The other side being a mirror image of this side view.

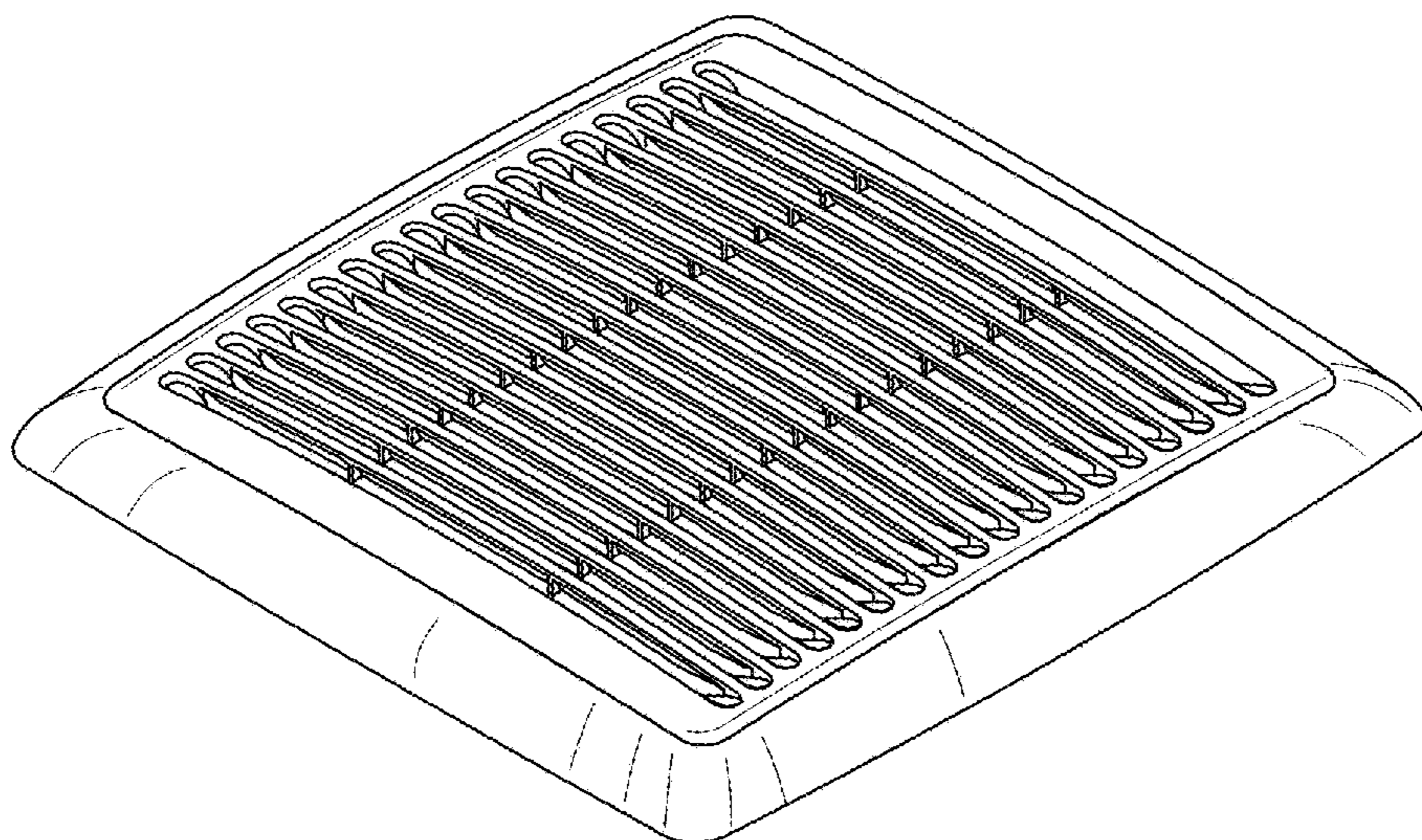
FIG. 9 is a top view thereof.

FIG. 10 is a bottom view thereof; and,

FIG. 11 is a cross-section view of the first embodiment taken along lines 11-11 of FIG. 4.

The features shown in broken lines depict environmental subject matter only and form no part of the claimed design.

1 Claim, 11 Drawing Sheets



(58) **Field of Classification Search**

USPC D23/337, 341, 352, 357, 370, 385, 386,
D23/397, 399, 400, 406, 411, 413, 499,
D23/388, 412
CPC B64C 11/04; B64C 11/16; B64C 11/18;
B64C 11/20; B64C 2001/009; F03D
3/062; F03D 11/04; F04D 19/002; F04D
25/068; F04D 25/088; F04D 19/00; F04D
17/16; F04D 25/14; F04D 25/0606; F04D
29/626; F24F 1/0018; F24F 7/007; F24F
13/10; F24F 13/32; B64D 13/02; E04C
2/427; E06B 3/5892; B24B 37/04; B01D
46/00; F24H 3/04

See application file for complete search history.

(56) **References Cited**

U.S. PATENT DOCUMENTS

2,790,375 A 4/1957 Johan
2,831,550 A * 4/1958 Bub B01D 39/2082
55/444
2,939,377 A * 6/1960 Stach F24D 5/00
454/332
2,963,956 A * 12/1960 Hill F24F 7/025
454/352
3,326,112 A 6/1967 Sadlow et al.
3,460,322 A * 8/1969 Rivers B01D 46/00
55/484
3,861,894 A 1/1975 Marsh
D287,888 S 1/1987 Castor et al.
4,722,266 A * 2/1988 Deckert F24F 7/007
454/289
D315,790 S * 3/1991 Koessler D23/388
D330,585 S 10/1992 Saito et al.
D331,458 S 12/1992 Saito et al.
D334,053 S * 3/1993 Cook D23/370
D338,954 S * 8/1993 Brock D23/387
5,333,830 A * 8/1994 Millen E04C 2/2885
248/678
D357,732 S * 4/1995 Spechts D23/388
D372,767 S * 8/1996 Borges D23/351
D374,927 S 10/1996 Chabot
D376,639 S 12/1996 Moore
D387,859 S * 12/1997 Ukai D23/370
D398,417 S * 9/1998 Fritzsche D26/119
D401,682 S 11/1998 Galeazzi et al.
D403,442 S 12/1998 Joss
D424,672 S * 5/2000 Nanjo D23/353
D426,292 S * 6/2000 Nanjo D23/351
D427,303 S * 6/2000 Brown D23/390
D433,116 S * 10/2000 Han D23/393
D434,126 S 11/2000 Caronna et al.
D446,850 S * 8/2001 Arlotta D23/393
D452,905 S 1/2002 Peng
D452,906 S 1/2002 Peng
D457,232 S 5/2002 Miura
D457,616 S 5/2002 Yamanaka et al.
D461,235 S * 8/2002 Arlotta D23/393
D464,718 S * 10/2002 Wilson D23/341
D480,791 S * 10/2003 Phillips D23/353
D481,822 S 11/2003 Wang
6,651,454 B1 * 11/2003 Spiegel F24F 13/32
62/259.1
D490,147 S 5/2004 Miura
6,750,760 B2 6/2004 Albritton et al.
D493,516 S 7/2004 Harbutt et al.
D510,432 S * 10/2005 Bargiel D23/370
D510,996 S 10/2005 Vladika
D512,503 S 12/2005 Roland
D514,221 S * 1/2006 Vladika D23/412
D530,808 S 10/2006 Sinur et al.
D531,301 S 10/2006 Sinur et al.
D533,956 S 12/2006 Vladika
D535,431 S 1/2007 Roland

D535,433 S 1/2007 Craw et al.
D539,404 S 3/2007 Nagahori
D539,887 S * 4/2007 Kato D23/351
D539,888 S * 4/2007 Tsuji D23/351
D541,689 S 5/2007 Meyers et al.
D541,927 S * 5/2007 Yamanaka D23/388
D543,270 S 5/2007 Miura et al.
D545,487 S * 6/2007 Bynum D26/120
D565,716 S 4/2008 Jacak
D565,717 S 4/2008 Jacak et al.
D566,257 S * 4/2008 Deng D23/371
D566,262 S * 4/2008 Zakula D23/388
D567,352 S * 4/2008 Hollingsworth D23/388
D567,353 S 4/2008 Hollingsworth et al.
D567,354 S * 4/2008 Jacak D23/388
D567,355 S 4/2008 Zakula et al.
D567,932 S * 4/2008 Hollingsworth D23/388
D567,933 S * 4/2008 Hollingsworth D23/388
D568,460 S * 5/2008 Jacak D23/388
D569,492 S 5/2008 Zakula et al.
D570,465 S 6/2008 Miyake et al.
D571,453 S 6/2008 Hsu et al.
D574,478 S 8/2008 Miyake et al.
D575,386 S 8/2008 Jacak et al.
D575,387 S 8/2008 Zakula et al.
D577,805 S 9/2008 Adrian et al.
D581,508 S 11/2008 Miyake et al.
D581,517 S * 11/2008 Koury D23/412
D589,605 S 3/2009 Reedy et al.
D602,146 S * 10/2009 Olesen D23/386
7,596,960 B2 * 10/2009 Bae F24F 1/0007
62/263
D618,782 S * 6/2010 Zakula D23/385
D621,491 S * 8/2010 Tsuji D23/351
D622,033 S 8/2010 Lambertz
7,850,513 B1 * 12/2010 Parker F04D 25/0606
136/245
D631,144 S 1/2011 Tsuji
D632,380 S 2/2011 Kim et al.
D653,323 S * 1/2012 Jacak D23/371
D654,998 S * 2/2012 Zakula D23/371
D655,403 S * 3/2012 Zakula D23/388
D655,804 S * 3/2012 Platt D23/365
D657,036 S * 4/2012 Vetu D23/364
D657,858 S * 4/2012 Platt D23/365
D665,225 S * 8/2012 Zakula D7/409
8,256,241 B2 * 9/2012 Ikeda F04D 17/06
62/419
D678,010 S 3/2013 Sudmalis
D678,497 S 3/2013 Tom
D678,995 S 3/2013 Hoshino et al.
D681,794 S 5/2013 Lin et al.
D682,455 S 5/2013 Apetauer et al.
D690,869 S 10/2013 Katz, et al.
D701,952 S * 4/2014 Hoshino D23/388
D702,827 S 4/2014 Mase et al.
D705,409 S 5/2014 Hagiwara
D705,417 S 5/2014 Lin et al.
D706,404 S 6/2014 Tsuji
D706,916 S * 6/2014 Penlesky D23/370
D709,170 S 7/2014 Tsuji
D710,000 S * 7/2014 Moreno D23/386
D713,952 S 9/2014 Jepson
D713,953 S 9/2014 Jepson
8,864,447 B1 10/2014 Humphrey
D716,772 S 11/2014 Caverro et al.
D718,086 S * 11/2014 Lewis D7/391
D720,442 S 12/2014 Kosuge
D725,624 S 3/2015 Carney et al.
D728,772 S 5/2015 Santeler et al.
9,022,846 B1 5/2015 Tom
9,028,212 B1 5/2015 Tom
D733,861 S 7/2015 Haaf et al.
D733,863 S 7/2015 Funnell, II et al.
9,103,104 B1 8/2015 Tom
D738,482 S 9/2015 Lin et al.
D739,928 S * 9/2015 Raisanen D23/354
D741,463 S 10/2015 Hauville et al.
D742,494 S 11/2015 Kouketsu et al.

(56)

References Cited

U.S. PATENT DOCUMENTS

D743,520	S	11/2015	Sinur et al.	
9,182,138	B2 *	11/2015	Foreman	F24F 11/0001
9,188,132	B1	11/2015	Tom	
D744,628	S *	12/2015	Alexander	D23/370
D745,652	S	12/2015	Berkman et al.	
D746,424	S *	12/2015	Takahashi	D13/123
9,212,668	B2 *	12/2015	Deng	F04D 25/166
D747,141	S	1/2016	Wahl	
D747,576	S *	1/2016	Fjellman	D32/30
D751,189	S *	3/2016	Suzuki	D24/116
D751,247	S	3/2016	Reynolds	
D752,201	S *	3/2016	Herbst	D23/370
D753,869	S *	4/2016	Prijic	D26/120
D754,319	S *	4/2016	Park	D23/385
9,303,859	B2	4/2016	Hornig et al.	
9,303,888	B2 *	4/2016	Karst	F24F 7/04
D755,942	S *	5/2016	Kim	D23/364
D778,424	S	2/2017	Jonas et al.	
D778,425	S	2/2017	Jonas et al.	
D779,050	S	2/2017	Jonas et al.	
2005/0111840	A1	5/2005	Craw et al.	
2009/0130970	A1	5/2009	Jacak et al.	
2009/0170421	A1	7/2009	Adrian et al.	
2009/0280737	A1	11/2009	Jacak et al.	
2014/0063796	A1 *	3/2014	Zakula	F24F 13/078 362/231
2015/0125292	A1	5/2015	Karst et al.	
2015/0140923	A1 *	5/2015	Penlesky	F24F 7/007 454/322
2015/0219118	A1 *	8/2015	Zakula	F04D 29/626 415/204
2016/0069561	A1	3/2016	Jonas	

FOREIGN PATENT DOCUMENTS

CA	163017	S	5/2016	
CA	163018	S	5/2016	
CN	303580220	S	2/2016	
CN	303580221	S	2/2016	
CN	303580222	S	2/2016	
CN	303580223	S	2/2016	
CN	303580224	S	2/2016	

OTHER PUBLICATIONS

Finnleo Steam Sauna Ventilation Wood grill, image post date Jun. 6, 2012, site visited May 14, 2016, (online), <<https://www.tineye.com/search/8ff8db465e46f58bcad482160583cb539dc23fa4/>>.*

GDL Air Distribution Grilles, image post date Nov. 23, 2014, site visited May 14, 2016, (online), <<https://www.tineye.com/search/d0efdc23f3887a1bdc58adaa3fef15c33f2b486b/>>.*

Air Vent Grille Cover, image post date Nov. 9, 2014, site visited May 14, 2016, (online), <<https://www.tineye.com/search/232b8f674998285163e7a3de47a03ed0ef9b1dc6/>>.*

Manrose FF100P Bathroom Fan, image post date Dec. 12, 2014, site visited May 14, 2016, (online), <<https://www.tineye.com/search/63988ff8b950dad9cb1aacc51119050bdd00cf21/?pluginver=>>>.*

Ultra Green series, image post date Apr. 16, 2014, site visited May 14, 2016, (online), <<http://web.archive.org/web/20140416053348/http://www.broan.com/products/filter/ultra-green-series-fanslights-ca0b225b-9fdb-406c-abf1-ed72241eb706>>.*

“U.S. Appl. No. 29/514,067, Non Final Office Action mailed May 20, 2016”, 21 pgs.

“U.S. Appl. No. 29/514,070, Non Final Office Action mailed May 27, 2016”, 26 pgs.

“U.S. Appl. No. 29/514,073, Non Final Office Action mailed May 20, 2016”, 21 pgs.

“Canadian Application Serial No. 163,015, Office Action mailed Nov. 10, 2015”, 5 pgs.

“Canadian Application Serial No. 163,015, Response filed Mar. 10, 2016 to Office Action mailed Nov. 10, 2015”, 7 pgs.

“Canadian Application Serial No. 163,016, Office Action mailed Nov. 10, 2015”, 3 pgs.

“Canadian Application Serial No. 163,016, Response filed Mar. 10, 2016 to Office Action mailed Nov. 10, 2015”, 7 pgs.

“Canadian Application Serial No. 163,017, Office Action mailed Nov. 9, 2015”, 3 pgs.

“Canadian Application Serial No. 163,017, Response filed Mar. 9, 2016 to Office Action mailed Nov. 9, 2015”, 8 pgs.

“Canadian Application Serial No. 163,018, Office Action mailed Nov. 9, 2015”, 2 pgs.

“Canadian Application Serial No. 163,018, Response filed Mar. 9, 2016 to Office Action mailed Nov. 9, 2015”, 7 pgs.

“Canadian Application Serial No. 163,019, Office Action mailed Nov. 9, 2015”, 2 pgs.

“Canadian Application Serial No. 163,019, Response filed Mar. 9, 2016 to Office Action mailed Nov. 9, 2015”, 7 pgs.

“U.S. Appl. No. 29/514,061, Final Office Action mailed Sep. 19, 2016”, 9 pgs.

“U.S. Appl. No. 29/514,061, Response filed Aug. 17, 2016 to Non Final Office Action mailed May 19, 2016”, 6 pgs.

“U.S. Appl. No. 29/514,067, Notice of Allowance mailed Sep. 20, 2016”, 9 pgs.

“U.S. Appl. No. 29/514,067, Response filed Aug. 22, 2016 to Non Final Office Action mailed May 20, 2016”, 6 pgs.

“U.S. Appl. No. 29/514,070, Corrected Notice of Allowance mailed Oct. 5, 2016”, 2 pgs.

“U.S. Appl. No. 29/514,070, Notice of Allowance mailed Sep. 21, 2016”, 6 pgs.

“U.S. Appl. No. 29/514,073, Corrected Notice of Allowance mailed Oct. 5, 2016”, 2 pgs.

“U.S. Appl. No. 29/514,073, Notice of Allowance mailed Sep. 19, 2016”, 8 pgs.

“U.S. Appl. No. 29/514,073, Response filed Aug. 22, 2016 to Non Final Office Action mailed May 20, 2016”, 6 pgs.

“U.S. Appl. No. 29/514,970, Response filed Aug. 29, 2016 to Non Final Office Action mailed May 27, 2016”, 6 pgs.

* cited by examiner

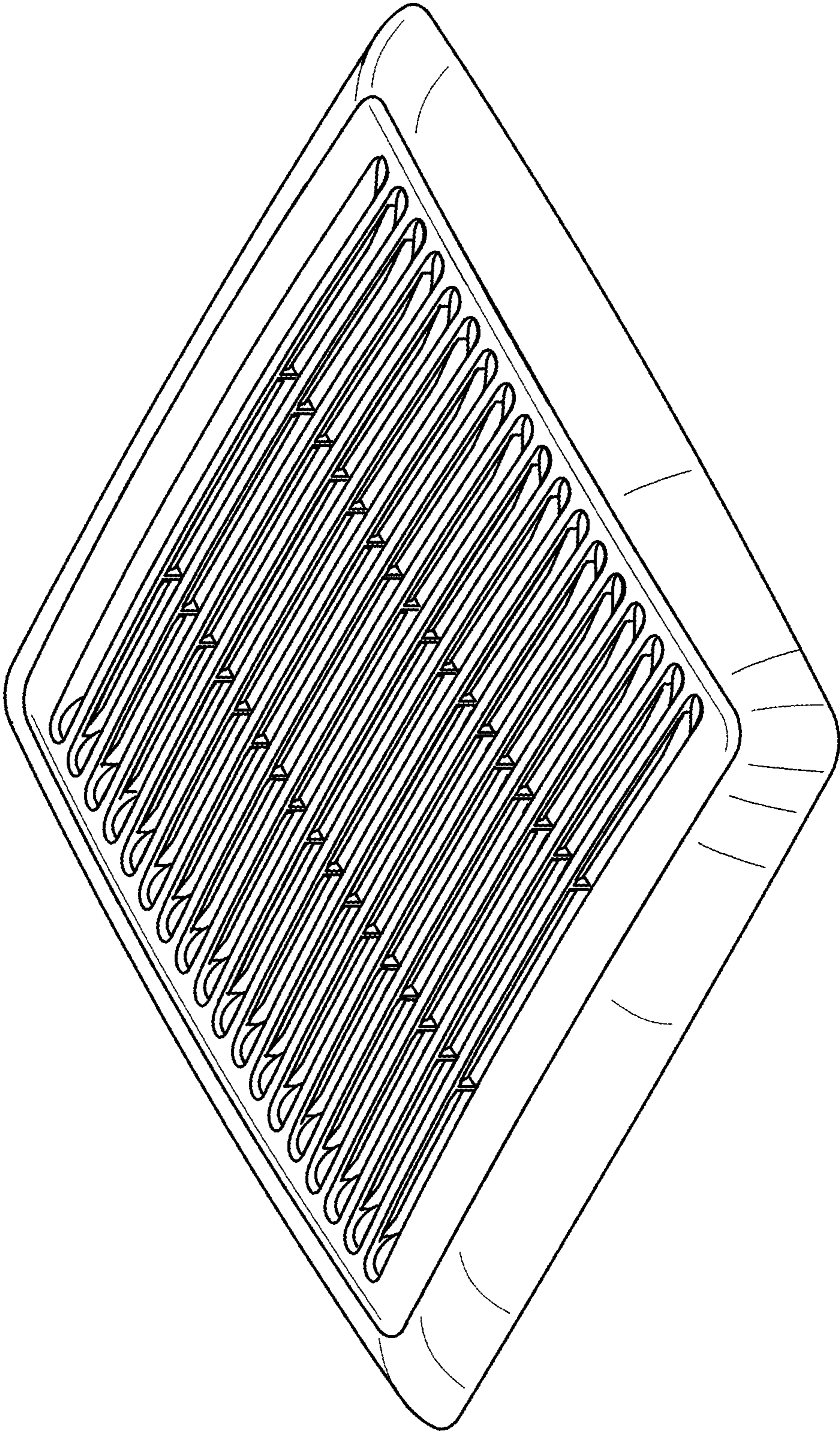


FIG. 1

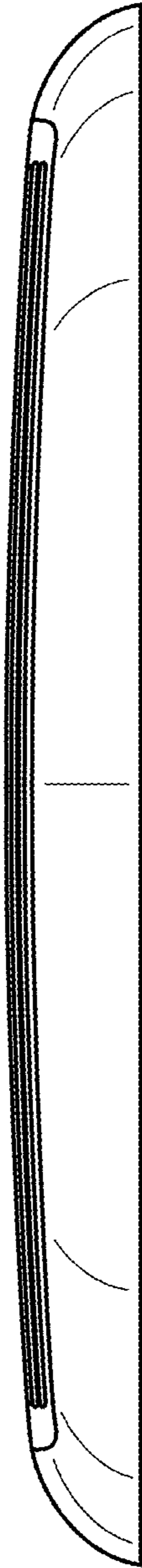


FIG. 2

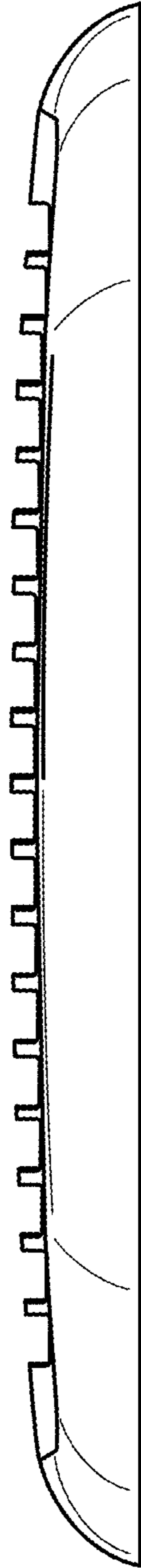


FIG. 3

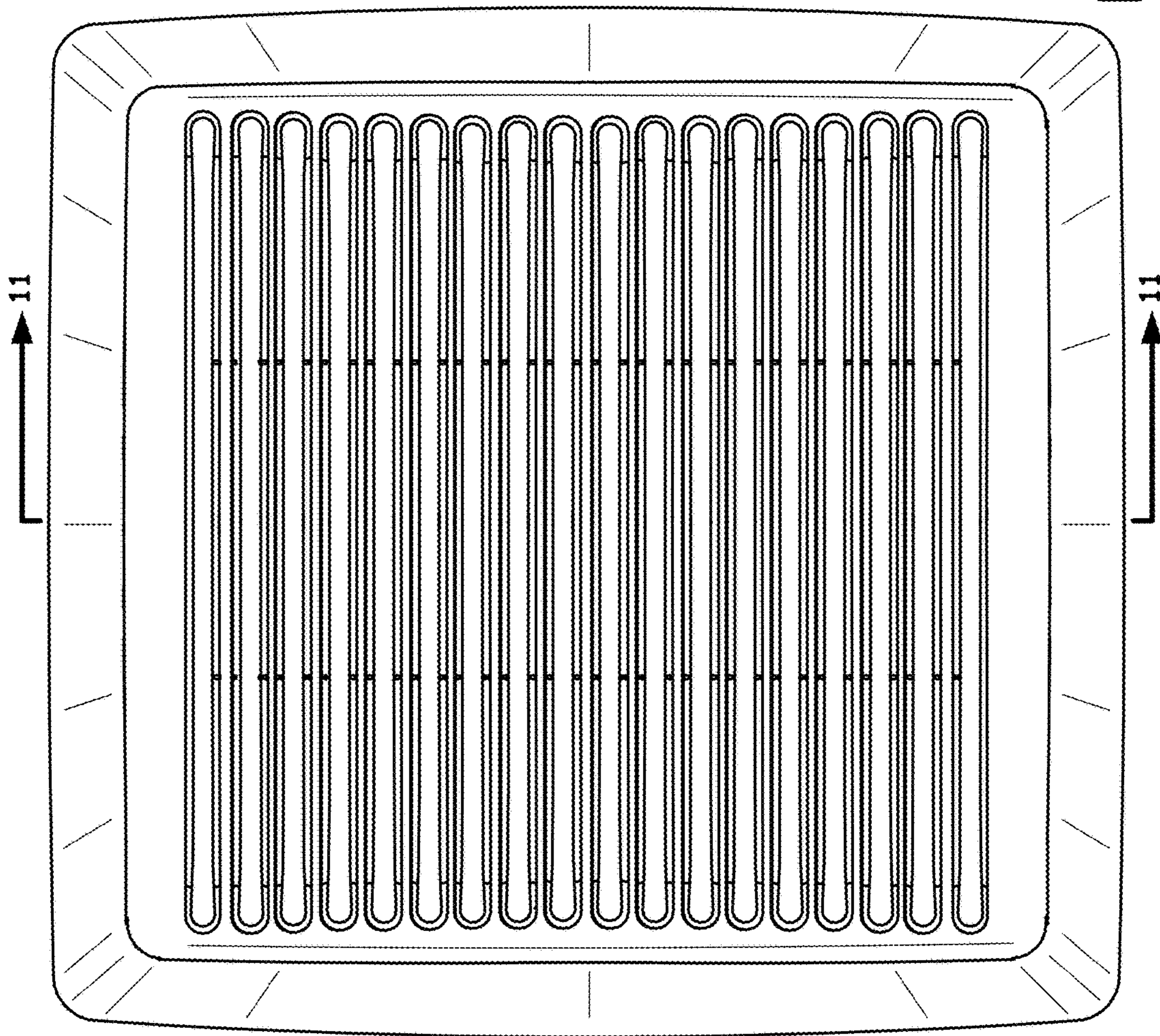


FIG. 4

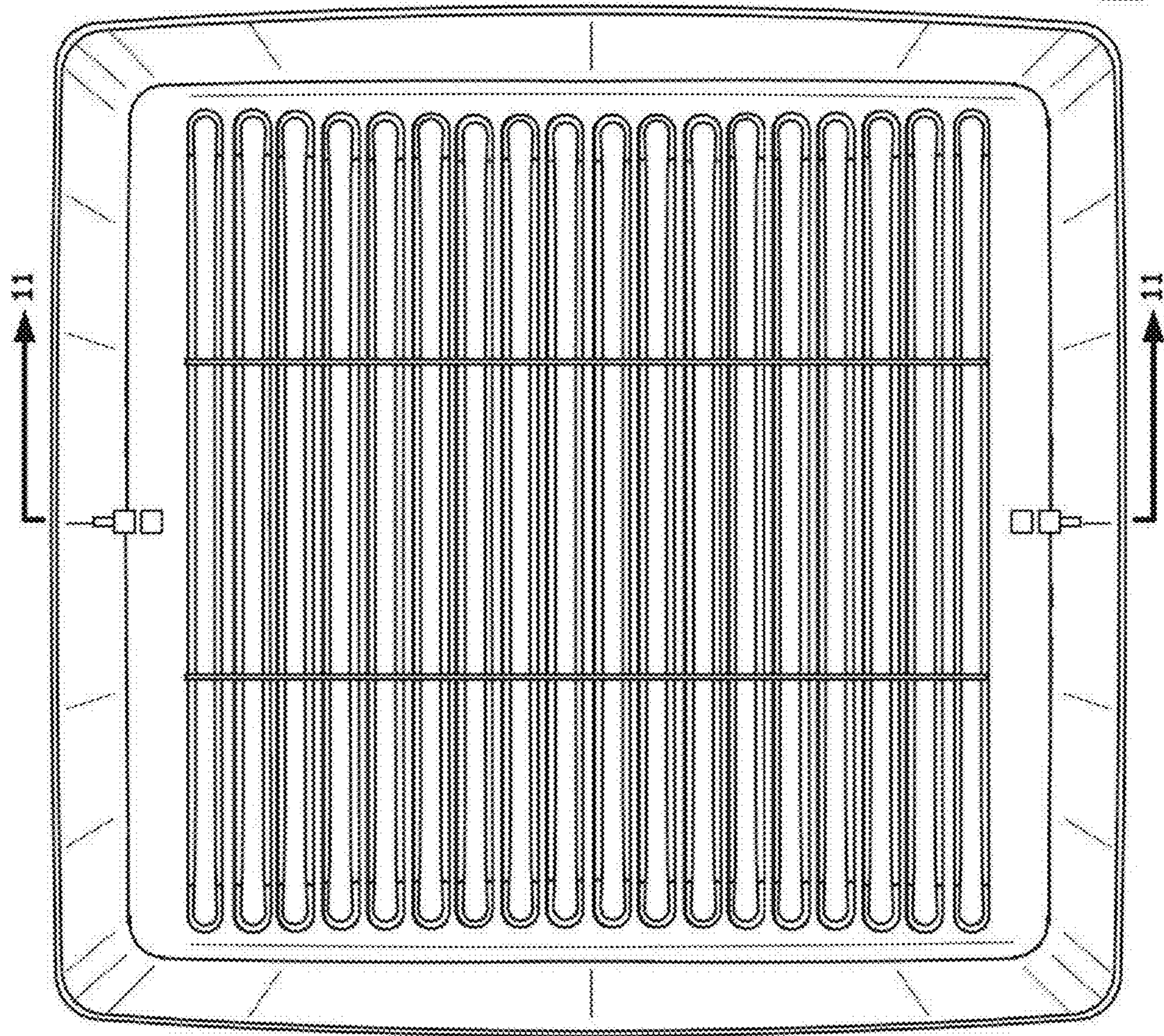


FIG. 5

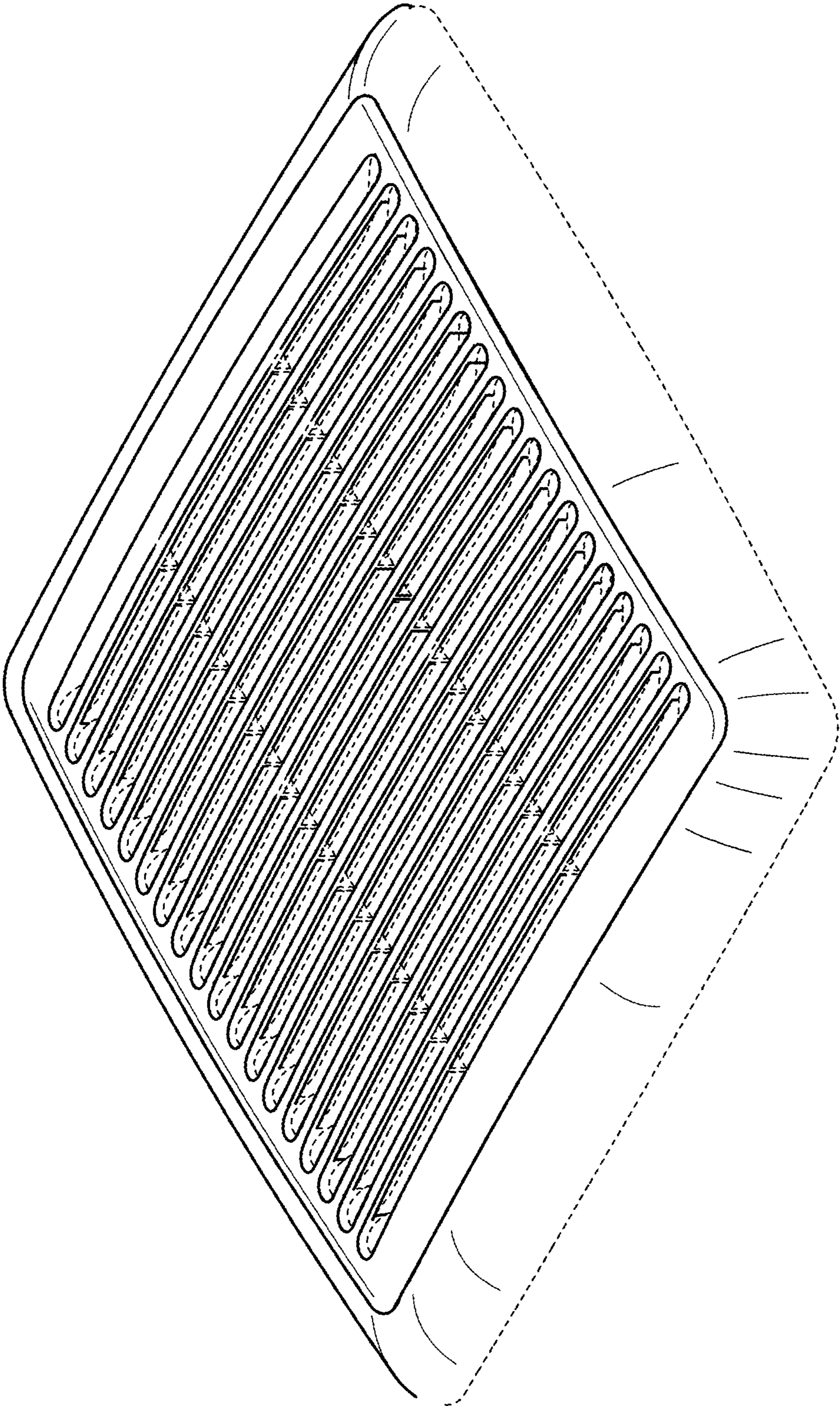


FIG. 6

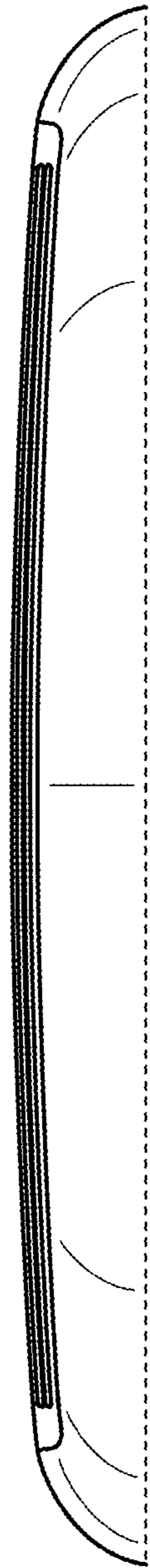


FIG. 7

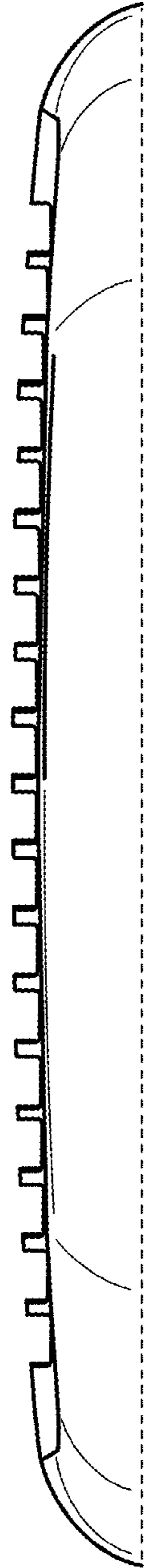


FIG. 8

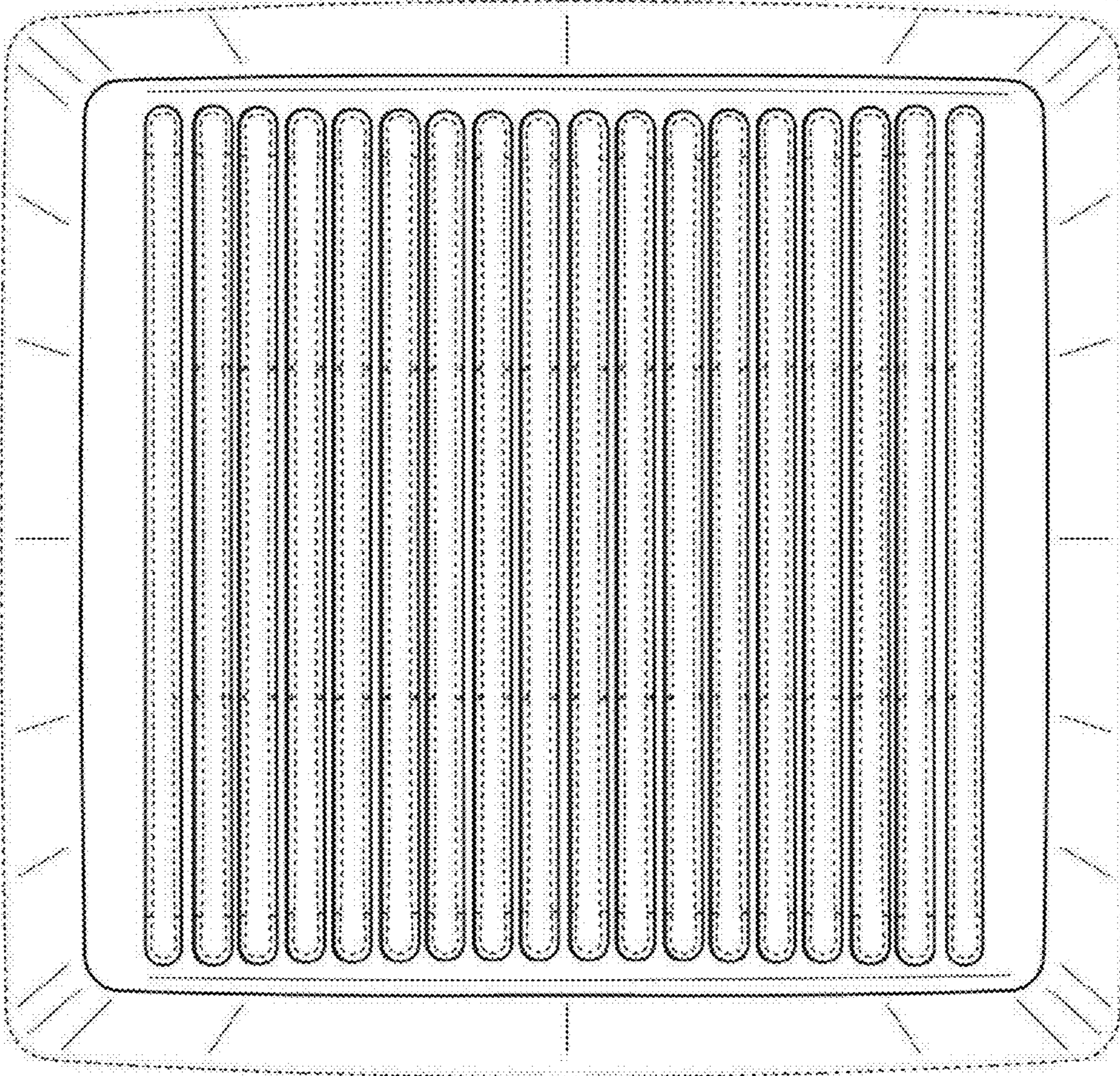


FIG. 9

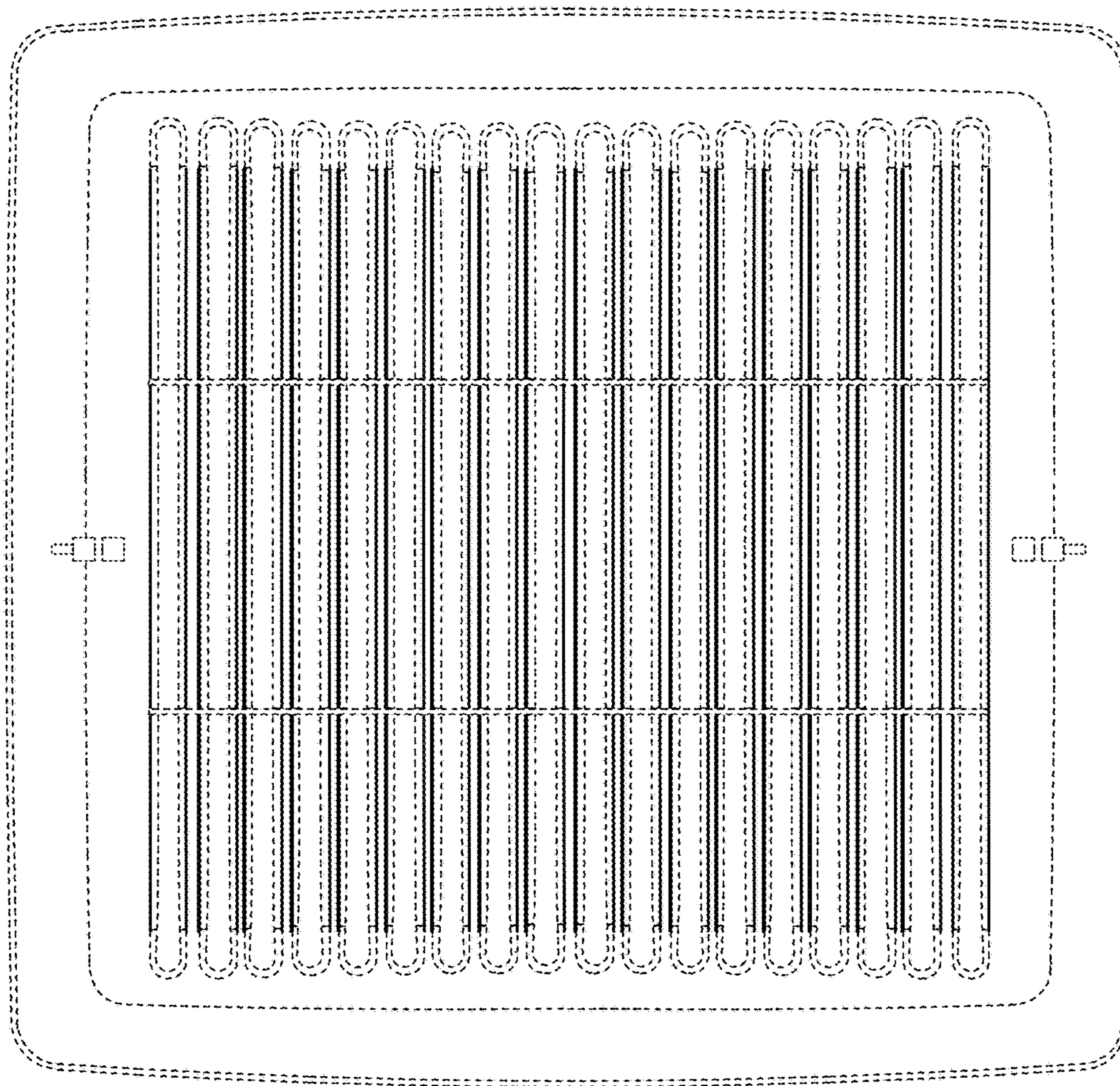


FIG. 10

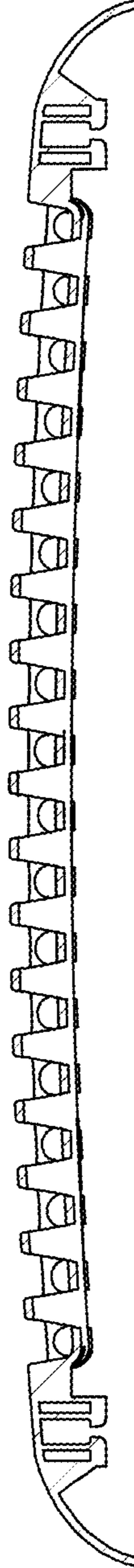


FIG. 11