



US00D784510S

(12) **United States Design Patent** (10) **Patent No.:** **US D784,510 S**
Badarello et al. (45) **Date of Patent:** **** Apr. 18, 2017**

- (54) **CEILING FAN**
- (71) Applicant: **HUNTER FAN COMPANY**,
 Memphis, TN (US)
- (72) Inventors: **Christophe Badarello**, Holly Springs,
 MS (US); **Austin Webster**, Marietta,
 GA (US)
- (73) Assignee: **Hunter Fan Company**, Memphis, TN
 (US)
- (**) Term: **15 Years**
- (21) Appl. No.: **29/545,362**
- (22) Filed: **Nov. 12, 2015**
- (51) **LOC (10) Cl.** **23-04**
- (52) **U.S. Cl.**
 USPC **D23/385**
- (58) **Field of Classification Search**
 USPC D23/370, 355, 314, 414, 371, 377, 385;
 415/121.1; D14/432
 CPC F04D 29/329; F04D 29/526; F04D 25/082;
 F04D 29/325; F04D 29/703; F04D
 29/547
 See application file for complete search history.

D424,189 S	5/2000	Johnson	
D476,075 S	6/2003	Hsieh	
D479,594 S	9/2003	Hsieh	
D539,894 S *	4/2007	Bucher	D23/377
D556,940 S	12/2007	Gajewski	
D561,326 S	2/2008	Gajewski	
D562,960 S	2/2008	Gajewski	
D562,972 S	2/2008	Pickett	
D563,836 S	3/2008	Okue et al.	
D585,582 S	1/2009	Campbell	
D618,786 S	6/2010	Hidalgo	
D618,787 S	6/2010	Hidalgo	
D619,238 S	7/2010	Hidalgo	
D620,182 S	7/2010	Sabernig	
D620,586 S	7/2010	Hidalgo	
D631,148 S *	1/2011	Benton	D23/370
7,874,798 B2 *	1/2011	Frampton	F04D 25/088 248/343
D689,648 S *	9/2013	Silver	D26/118
D690,453 S	9/2013	Guercio et al.	
D715,420 S *	10/2014	Funston	D23/382
D728,507 S *	5/2015	Brandis	D14/149
D760,369 S *	6/2016	Ertze	D23/385

* cited by examiner

Primary Examiner — Cynthia Underwood
 (74) *Attorney, Agent, or Firm* — McGarry Bair PC

(57) **CLAIM**

The ornamental design for a ceiling fan, as shown and described.

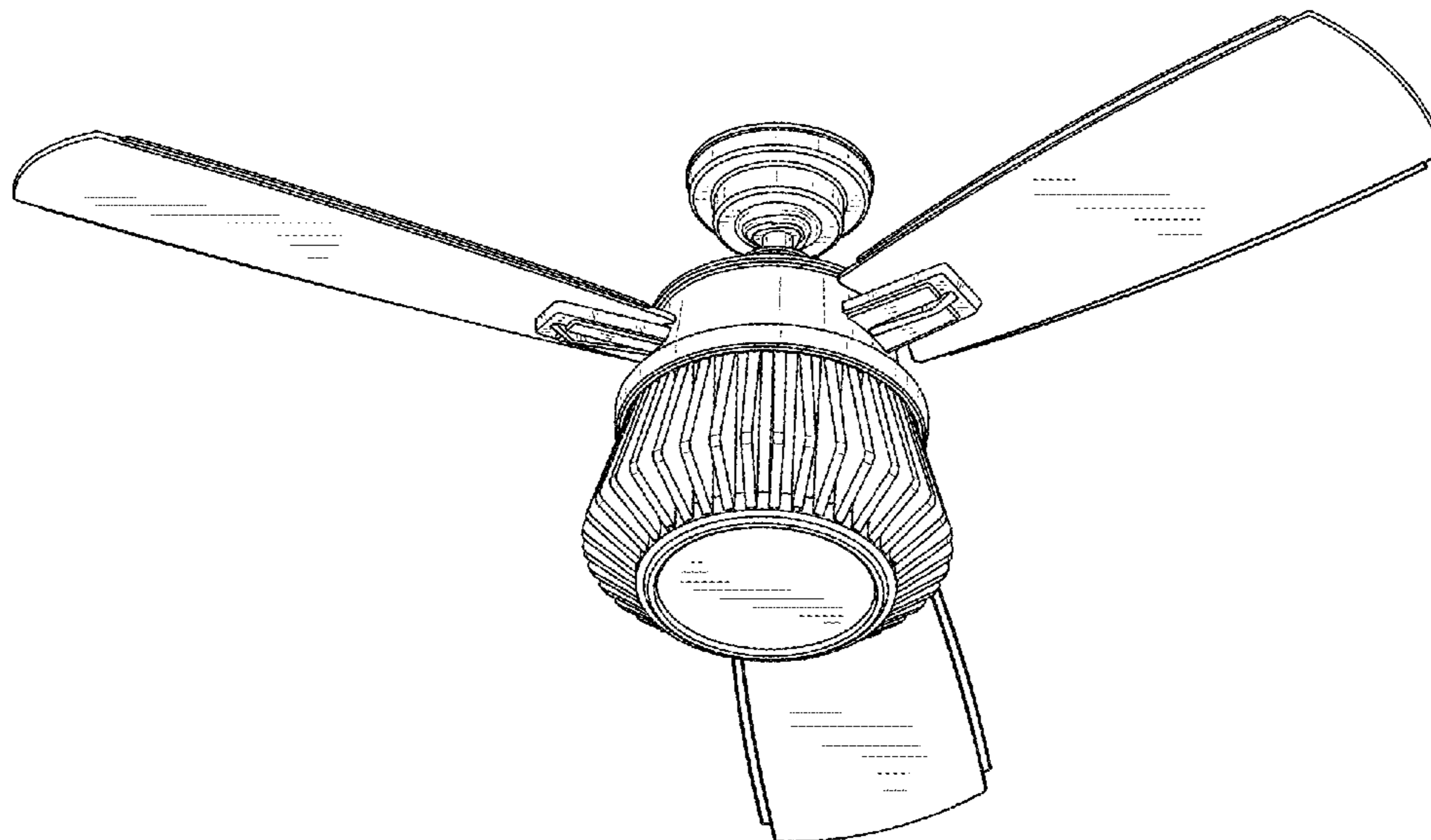
DESCRIPTION

FIG. 1 is a bottom perspective view of a ceiling fan;
 FIG. 2 is a front view of the ceiling fan of FIG. 1;
 FIG. 3 is a top view of the ceiling fan of FIG. 1; and,
 FIG. 4 is a bottom view of the ceiling fan of FIG. 1.
 The broken lines represent portions of the structure that forms no part of the claim.

1 Claim, 4 Drawing Sheets

(56) **References Cited**
 U.S. PATENT DOCUMENTS

D23,966 S	1/1895	Seaver	
D40,180 S	7/1909	Mygatt	
D340,514 S *	10/1993	Liao	D23/328
5,522,704 A *	6/1996	Casteel	H01R 25/142 362/404
D394,103 S	5/1998	Lee	
D399,333 S	10/1998	Greene et al.	
D400,286 S	10/1998	Greene et al.	



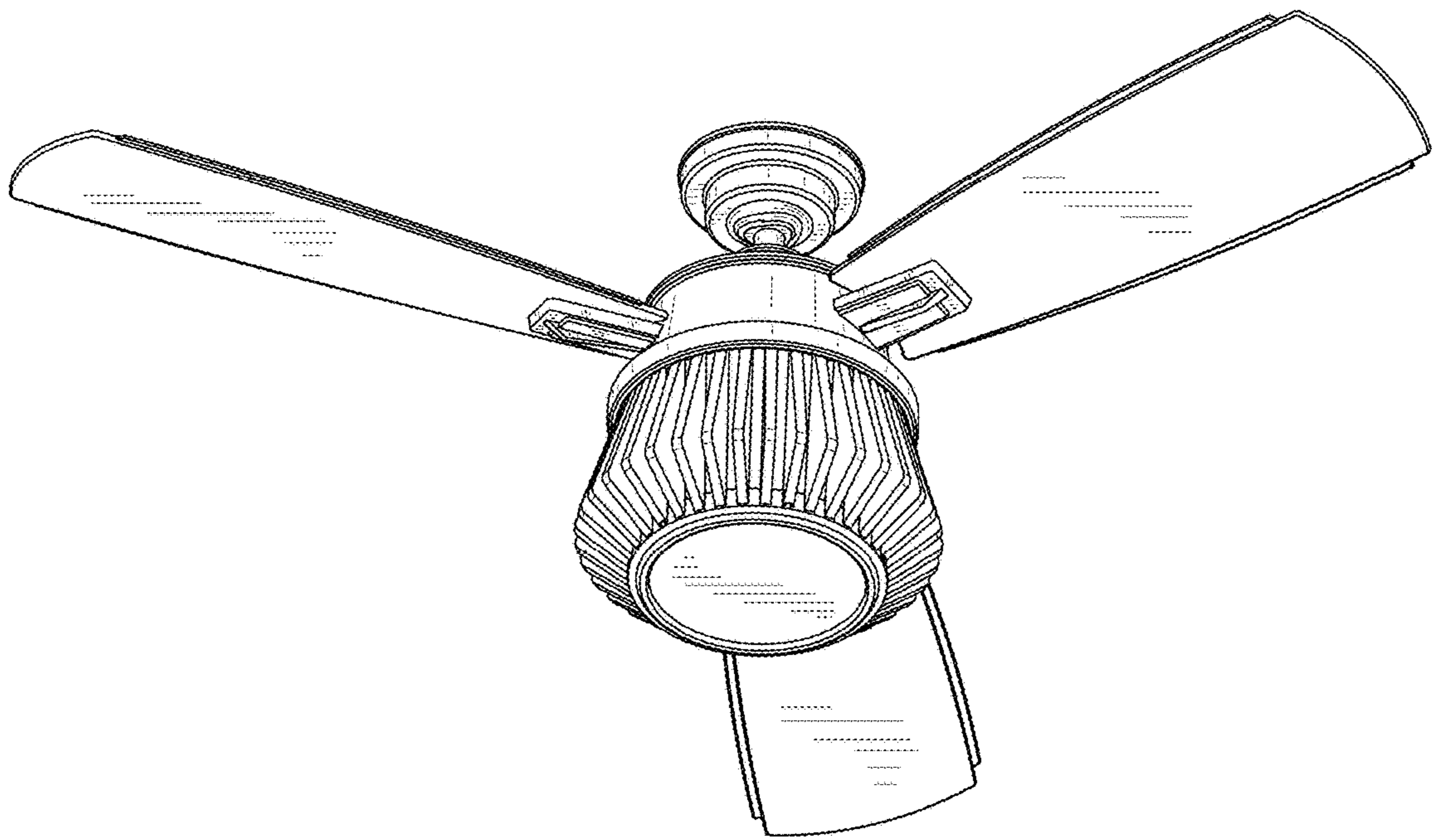


FIG. 1

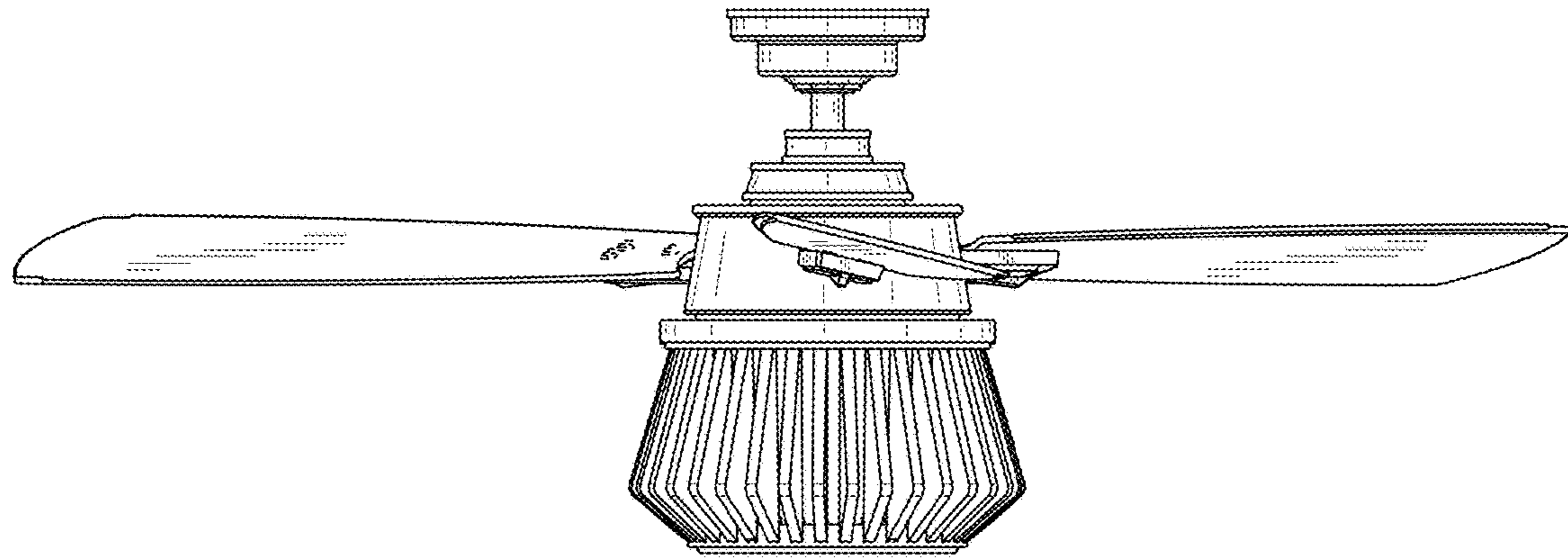


FIG. 2

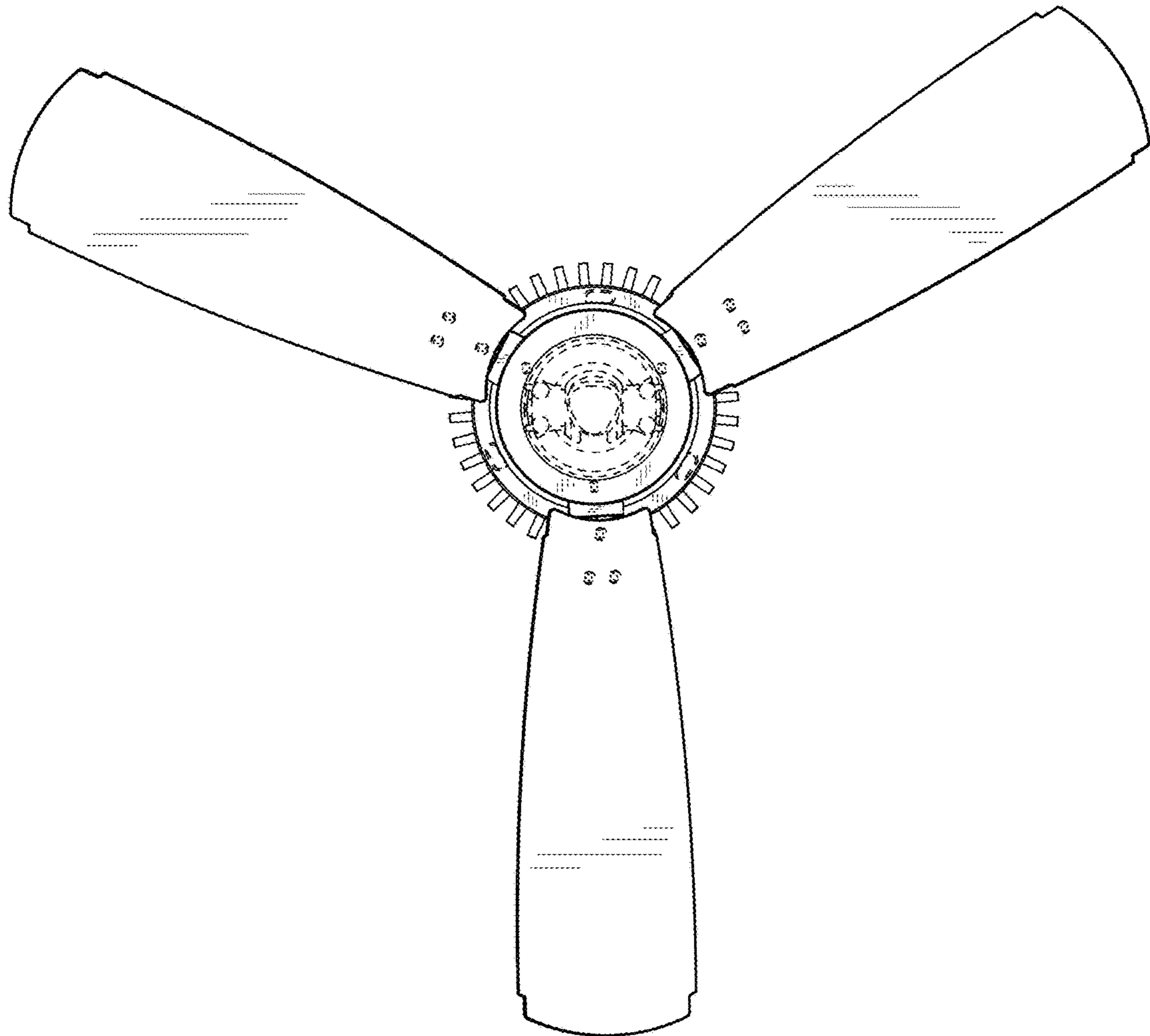


FIG. 3

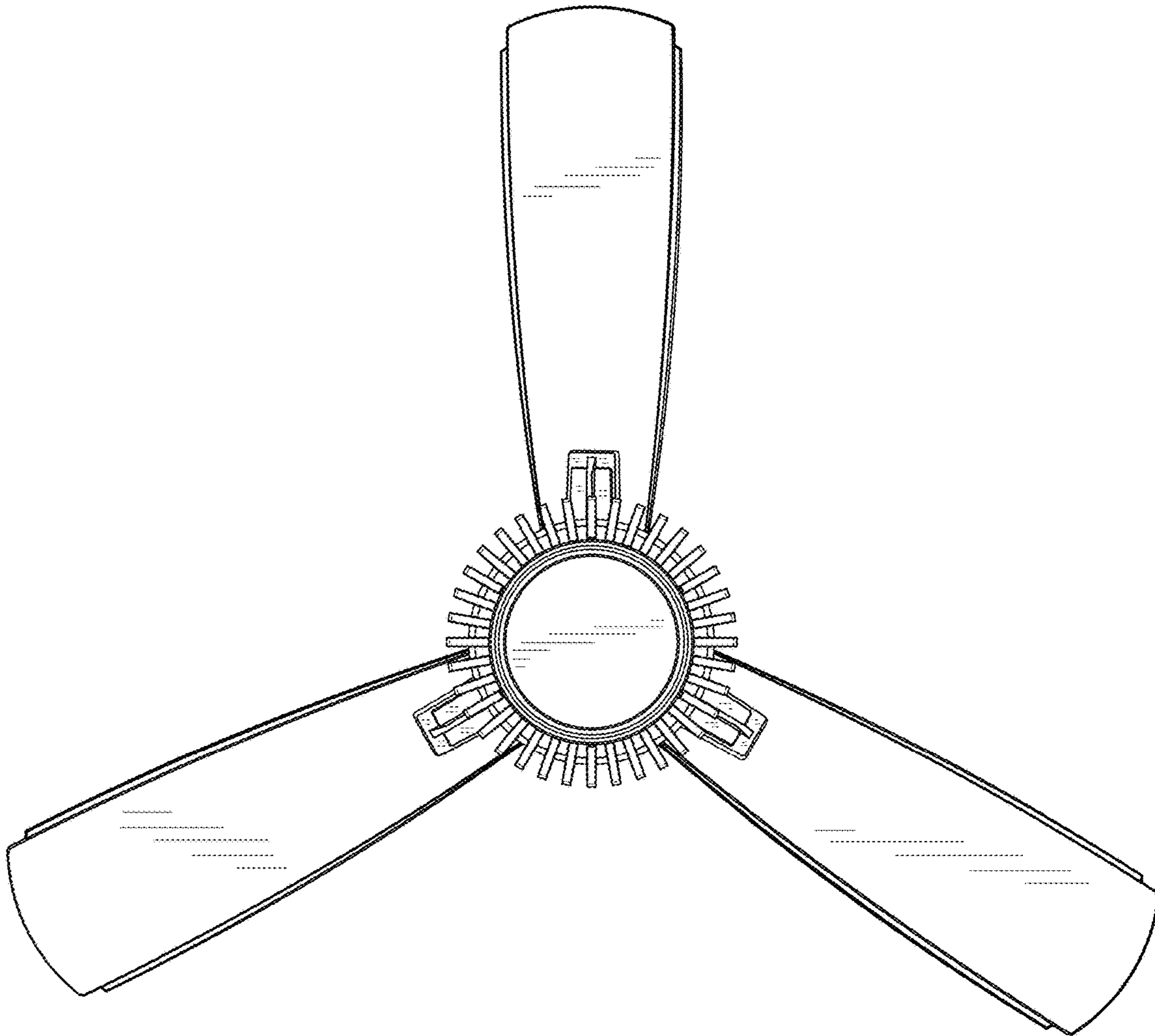


FIG. 4