



US00D784508S

(12) **United States Design Patent**
Cross

(10) **Patent No.:** **US D784,508 S**

(45) **Date of Patent:** **** Apr. 18, 2017**

(54) **AIR MODULE**

(71) Applicant: **Georgia-Pacific Consumer Products LP, Atlanta, GA (US)**

(72) Inventor: **Brandon Seth Cross, Atlanta, GA (US)**

(73) Assignee: **Georgia-Pacific Consumer Products LP, Atlanta, GA (US)**

(**) Term: **15 Years**

(21) Appl. No.: **29/539,559**

(22) Filed: **Sep. 15, 2015**

(51) **LOC (10) Cl.** **23-04**

(52) **U.S. Cl.**
USPC **D23/355**

(58) **Field of Classification Search**
USPC D23/355, 356, 366, 364, 359
CPC . F24F 3/14; B05C 11/00; B65D 37/00; B65D 35/22
See application file for complete search history.

(56) **References Cited**

U.S. PATENT DOCUMENTS

D340,764 S * 10/1993 Edwards D23/324
D351,932 S * 11/1994 Ito D23/364
D395,704 S * 6/1998 Thomas D23/364

D396,097 S * 7/1998 Thomas D23/364
D419,015 S 1/2000 Umemoto
D450,111 S 11/2001 Stanley et al.
D509,292 S 9/2005 Gatchell et al.
D517,671 S 3/2006 Chen
D522,115 S 5/2006 Chen
D544,948 S 6/2007 Spiegel
D563,538 S 3/2008 Verdura et al.
D710,341 S * 8/2014 Cheng D14/240

* cited by examiner

Primary Examiner — Kevin Rudzinski
(74) *Attorney, Agent, or Firm* — Alston & Bird LLP

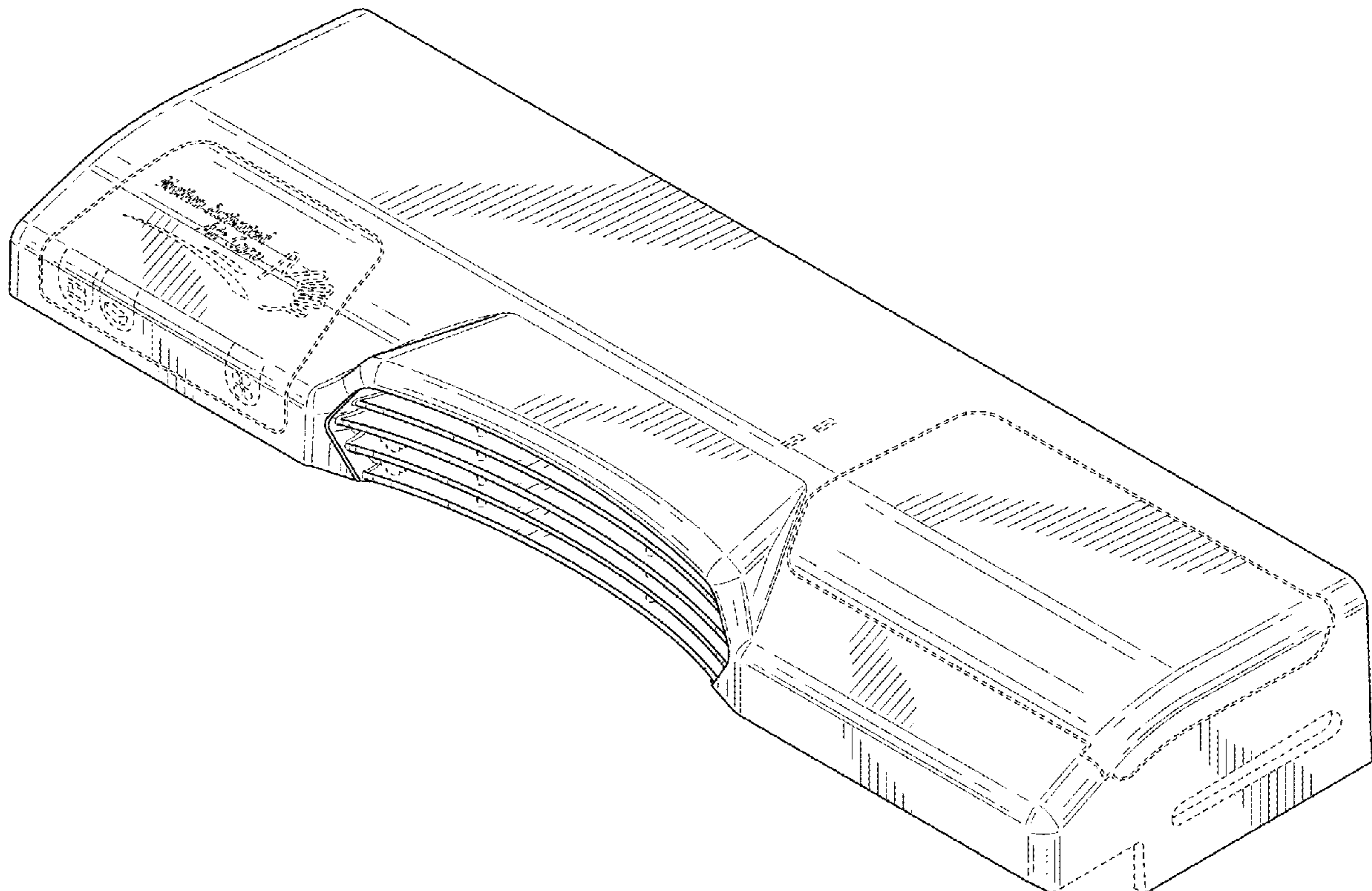
(57) **CLAIM**

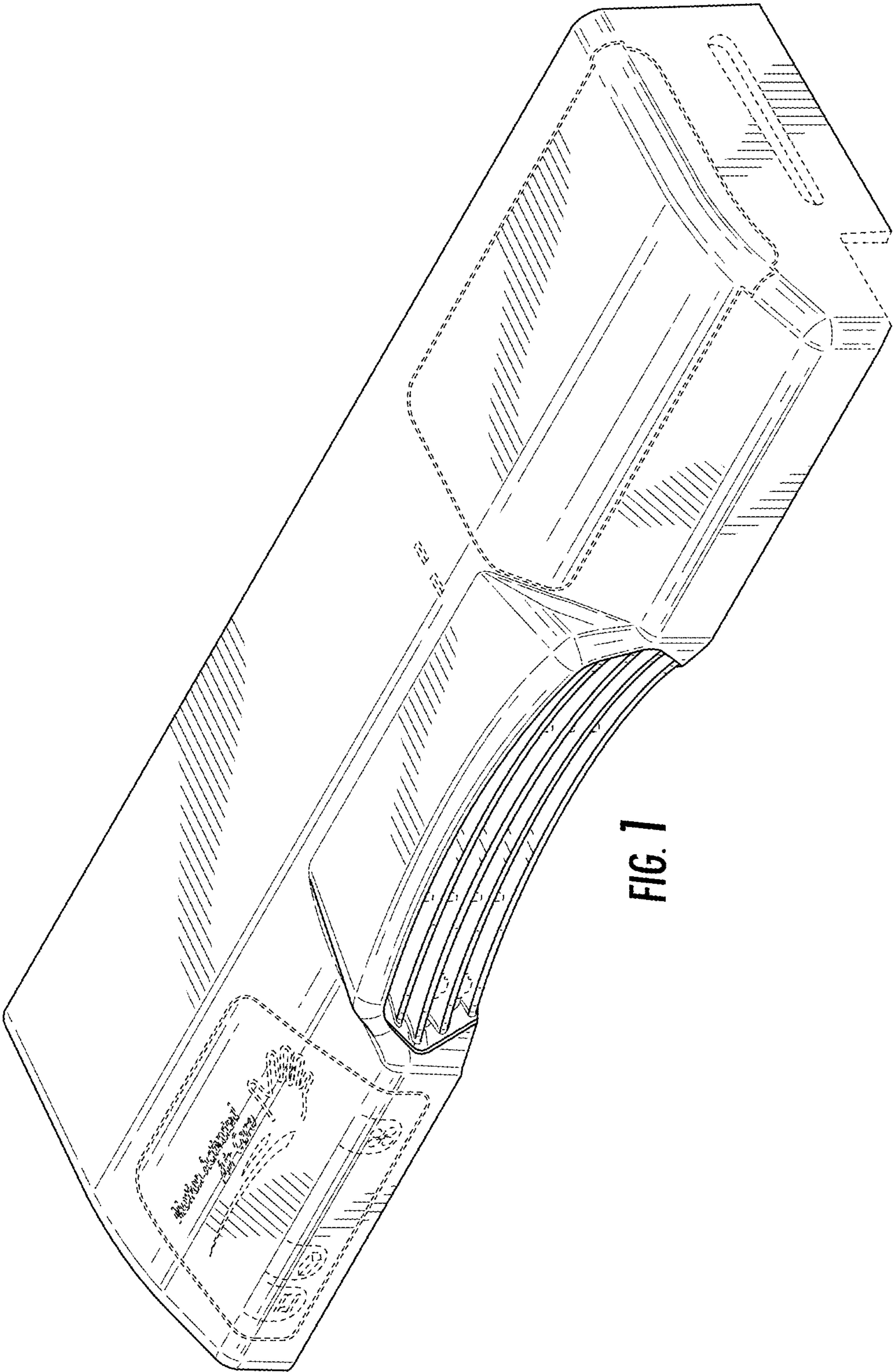
I claim the ornamental design for air module, as shown and described.

DESCRIPTION

FIG. 1 is a perspective view of air module showing our new design;
FIG. 2 is a front elevation view thereof;
FIG. 3 is a rear elevation view thereof;
FIG. 4 is a right side elevation view thereof;
FIG. 5 is a left side elevation view thereof;
FIG. 6 is a top plan view thereof;
FIG. 7 is a bottom plan view thereof; and,
FIG. 8 is another perspective view thereof, shown in a position of use with a dispenser.
The broken lines showing portions of the air module and the dispenser form no part of the claimed design.

1 Claim, 7 Drawing Sheets





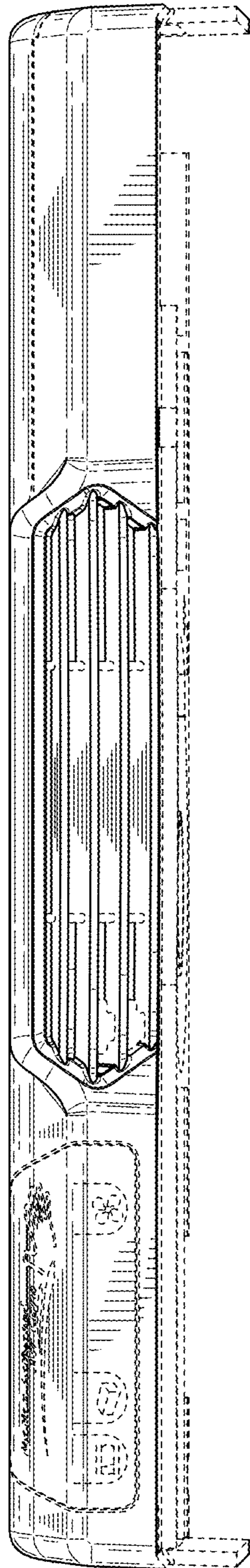


FIG. 2

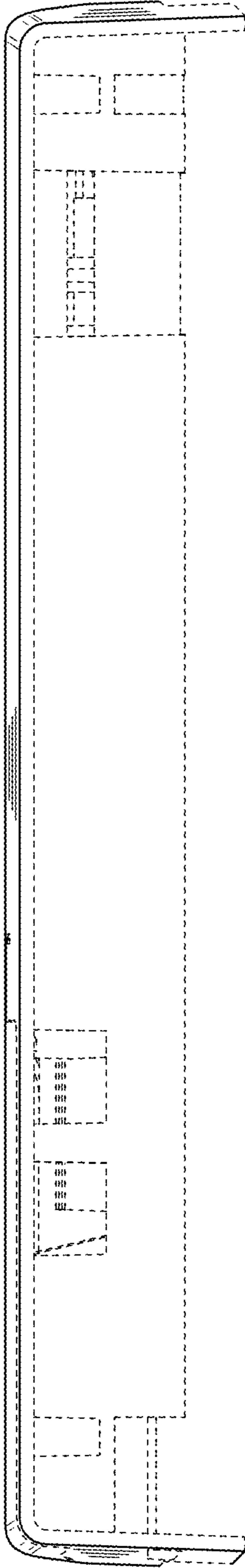


FIG. 3

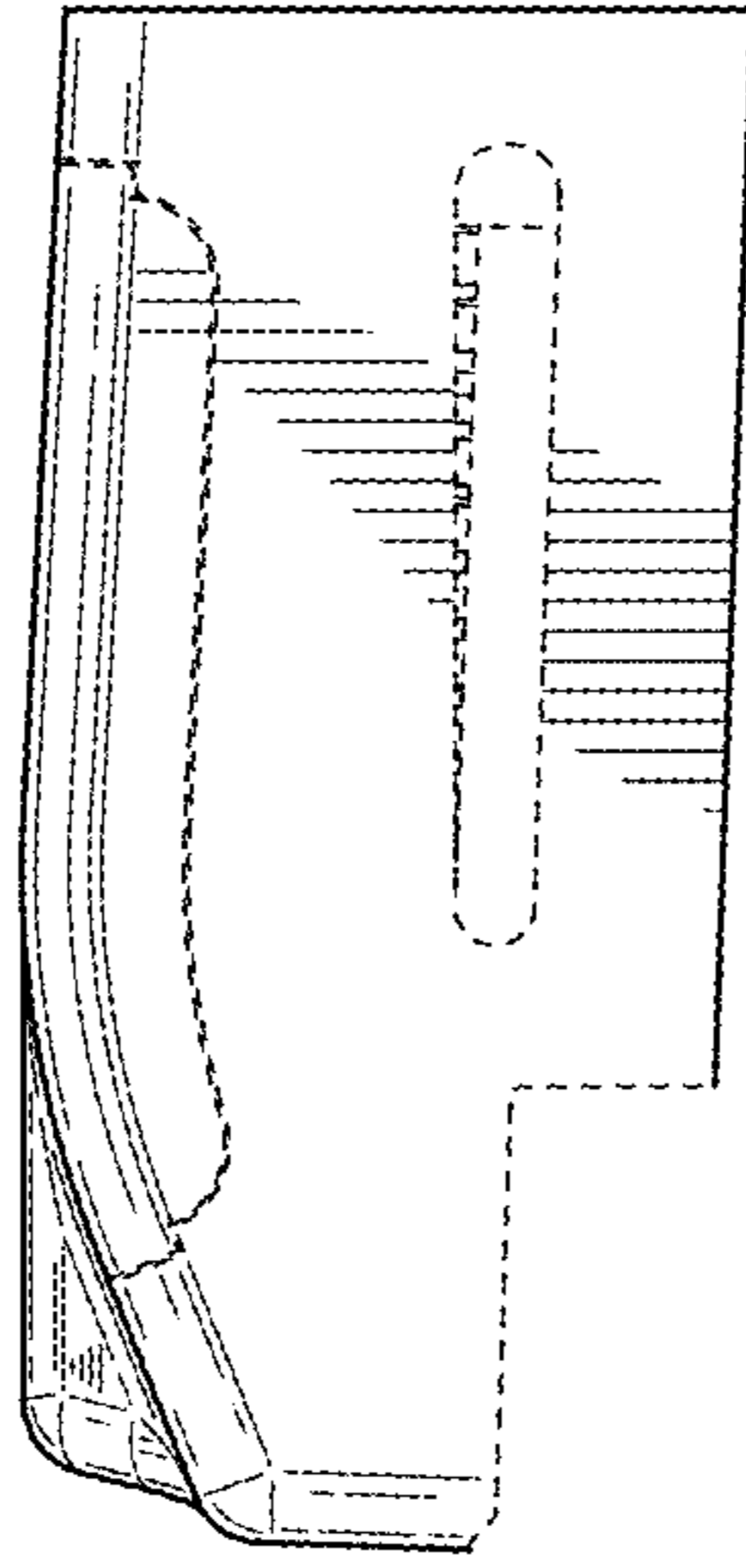


FIG. 5

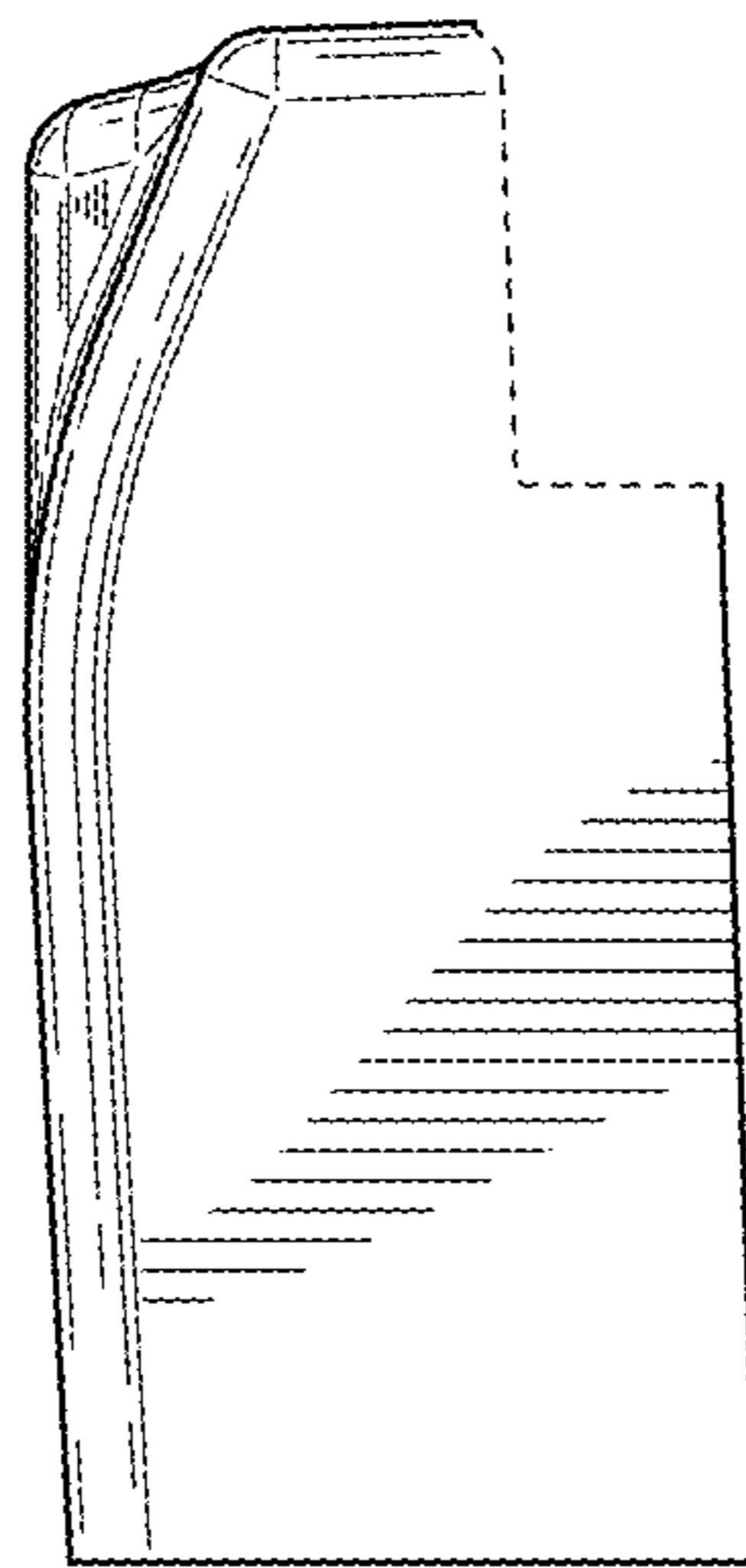


FIG. 4

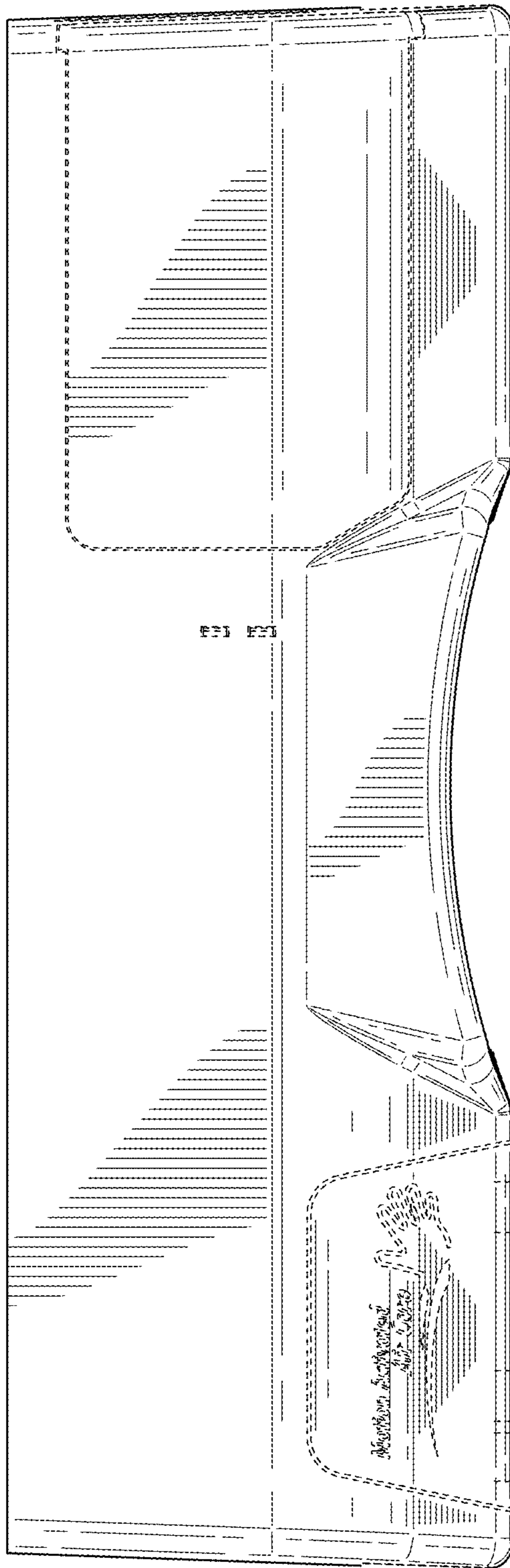


FIG. 6

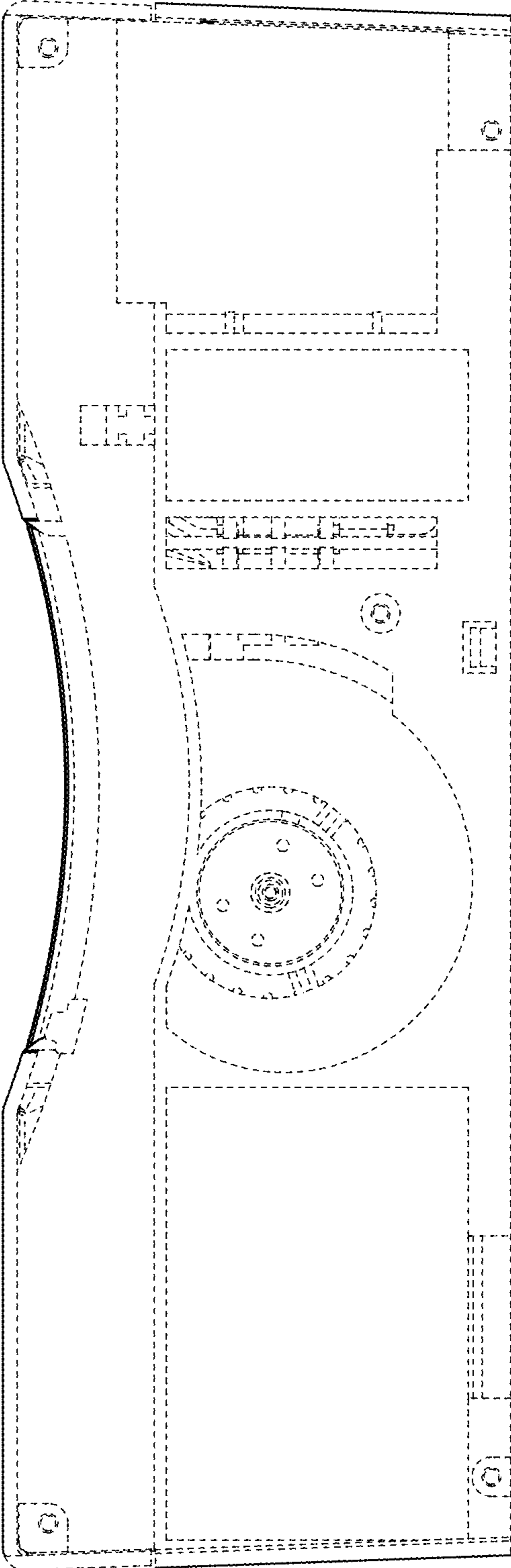


FIG. 7

