



US00D784502S

(12) **United States Design Patent** (10) **Patent No.:** **US D784,502 S**
Bates et al. (45) **Date of Patent:** **** Apr. 18, 2017**

(54) **TOILET**

(71) Applicant: **Kohler Co.**, Kohler, WI (US)

(72) Inventors: **Michael R. Bates**, Rogers, MN (US);
Shawn J. Booth, Sheboygan, WI (US);
Gary N. Clarke, Sheboygan, WI (US);
Robin A. Goad, Sheboygan, WI (US)

(73) Assignee: **KOHLER CO.**, Kohler, WI (US)

(**) Term: **15 Years**

(21) Appl. No.: **29/568,257**

(22) Filed: **Jun. 16, 2016**

Related U.S. Application Data

(62) Division of application No. 29/544,837, filed on Nov. 6, 2015, now Pat. No. Des. 767,742.

(51) **LOC (10) Cl.** **23-02**

(52) **U.S. Cl.**
USPC **D23/309**

(58) **Field of Classification Search**
USPC D23/295, 299–301, 303, 309, 313
CPC .. E03D 1/00; E03D 1/01; E03D 1/012; E03D
1/26; E03D 1/28
See application file for complete search history.

(56) **References Cited**

U.S. PATENT DOCUMENTS

D397,214 S	8/1998	Felker
D437,634 S	2/2001	Hundley
D439,638 S	3/2001	Hundley
D465,272 S	11/2002	Gordon
D532,875 S	11/2006	Kaule
D558,313 S	12/2007	Igarashi et al.
D558,863 S	1/2008	Taguchi
D624,165 S	9/2010	Yokoyama et al.

D639,399 S	6/2011	Takeuchi et al.
D653,314 S	1/2012	Yoshioka
D654,993 S	2/2012	Ando et al.
D693,910 S	11/2013	Bates et al.
D732,150 S	6/2015	Jung

OTHER PUBLICATIONS

Kohler Fixture 2014 Price Book, wall-hung dual flush toilet K-6303, p. 315.
Kohler Fixture 2013 Price Book, K-3825 Gabrielle comfort height toilet with bidet functionality, p. 287.

Primary Examiner — Robert Delehanty

(74) *Attorney, Agent, or Firm* — Foley & Lardner LLP

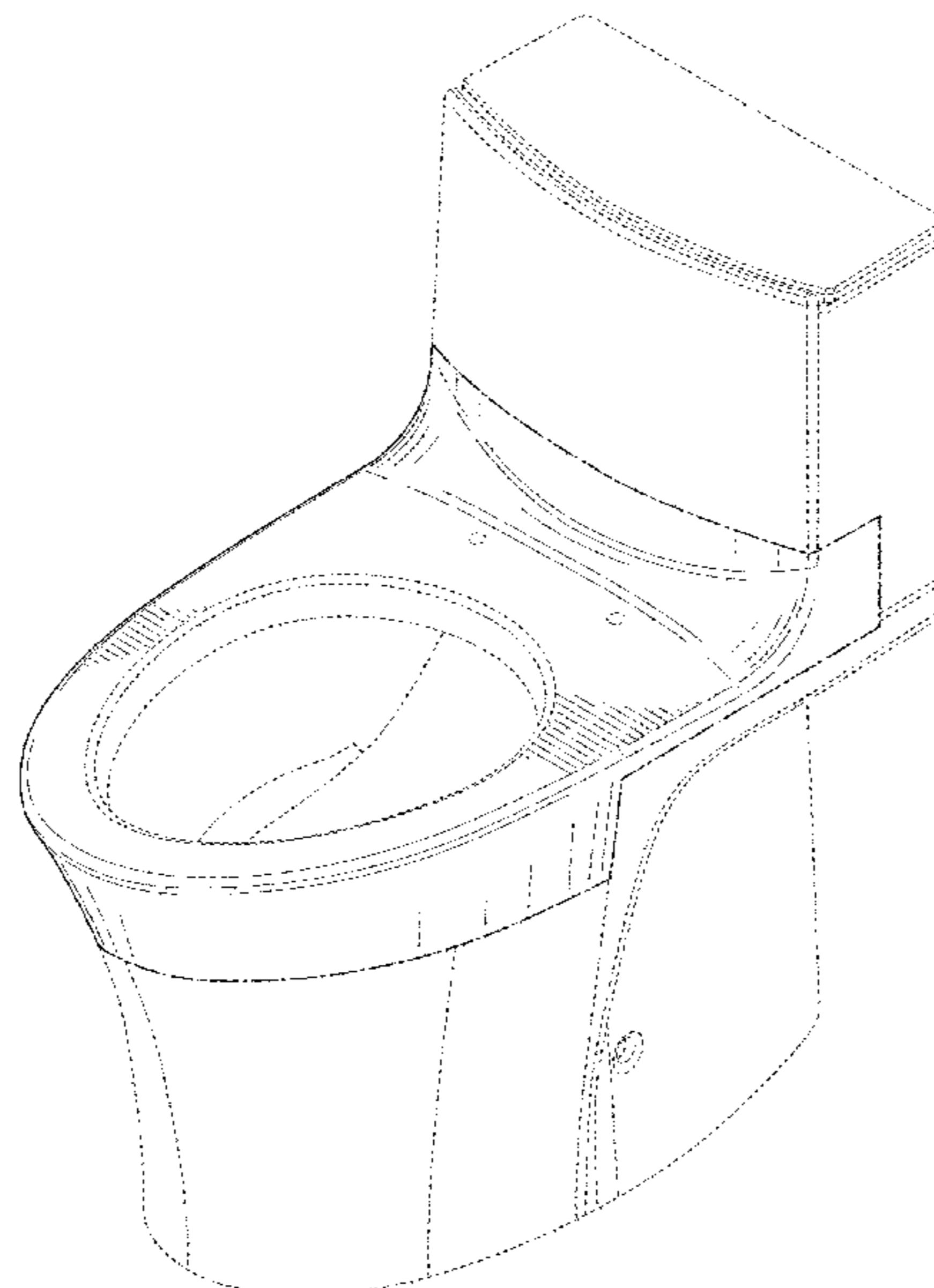
(57) **CLAIM**

We claim the ornamental design for a toilet, as shown and described.

DESCRIPTION

FIG. 1 is a perspective view of an embodiment of the claimed design;
FIG. 2 is a front view of the embodiment of FIG. 1;
FIG. 3 is a rear view of the embodiment of FIG. 1;
FIG. 4 is a side view of the embodiment of FIG. 1;
FIG. 5 is another side view of the embodiment of FIG. 1;
FIG. 6 is a top view of the embodiment of FIG. 1; and,
FIG. 7 is a bottom view of the embodiment of FIG. 1.
The ornamental design which is claimed is shown in solid lines in the drawings. The broken lines in the drawings form no part of the claimed design. Broken lines formed by equal length dashes show unclaimed subject matter. Broken lines formed of unequal length dashes (i.e., dash-dot) define bounds of the claimed design.

1 Claim, 7 Drawing Sheets



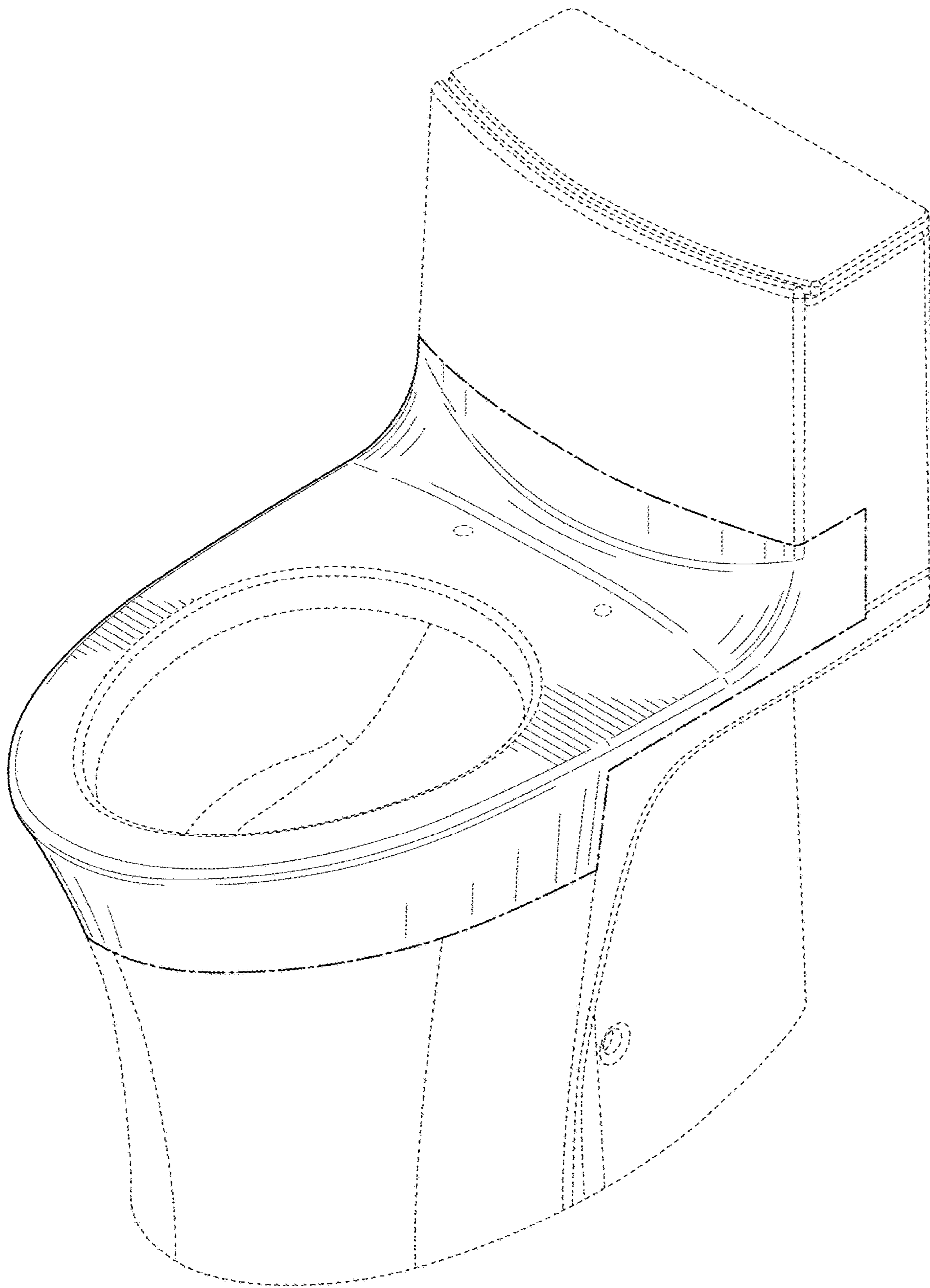


FIG. 1

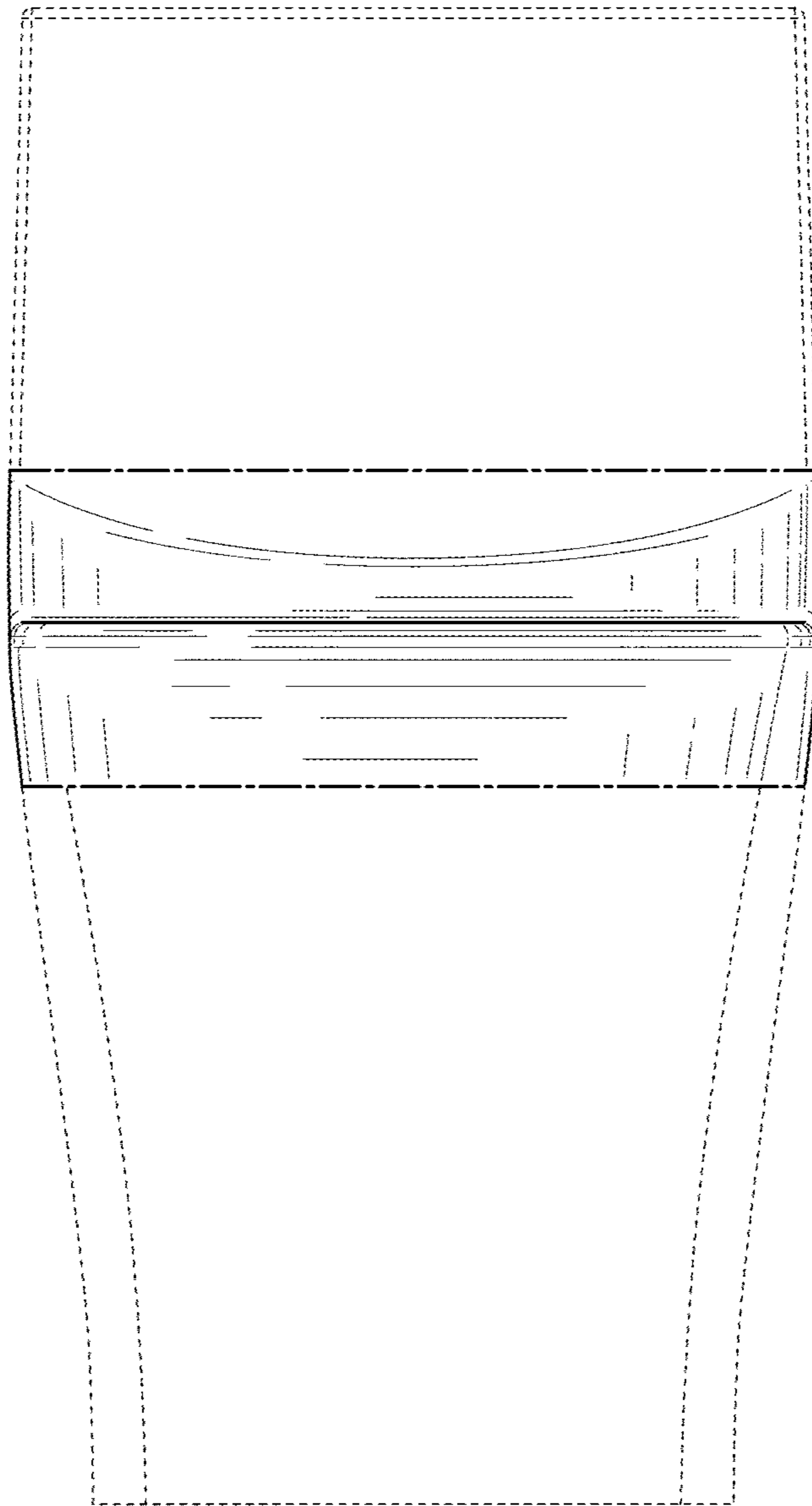


FIG. 2

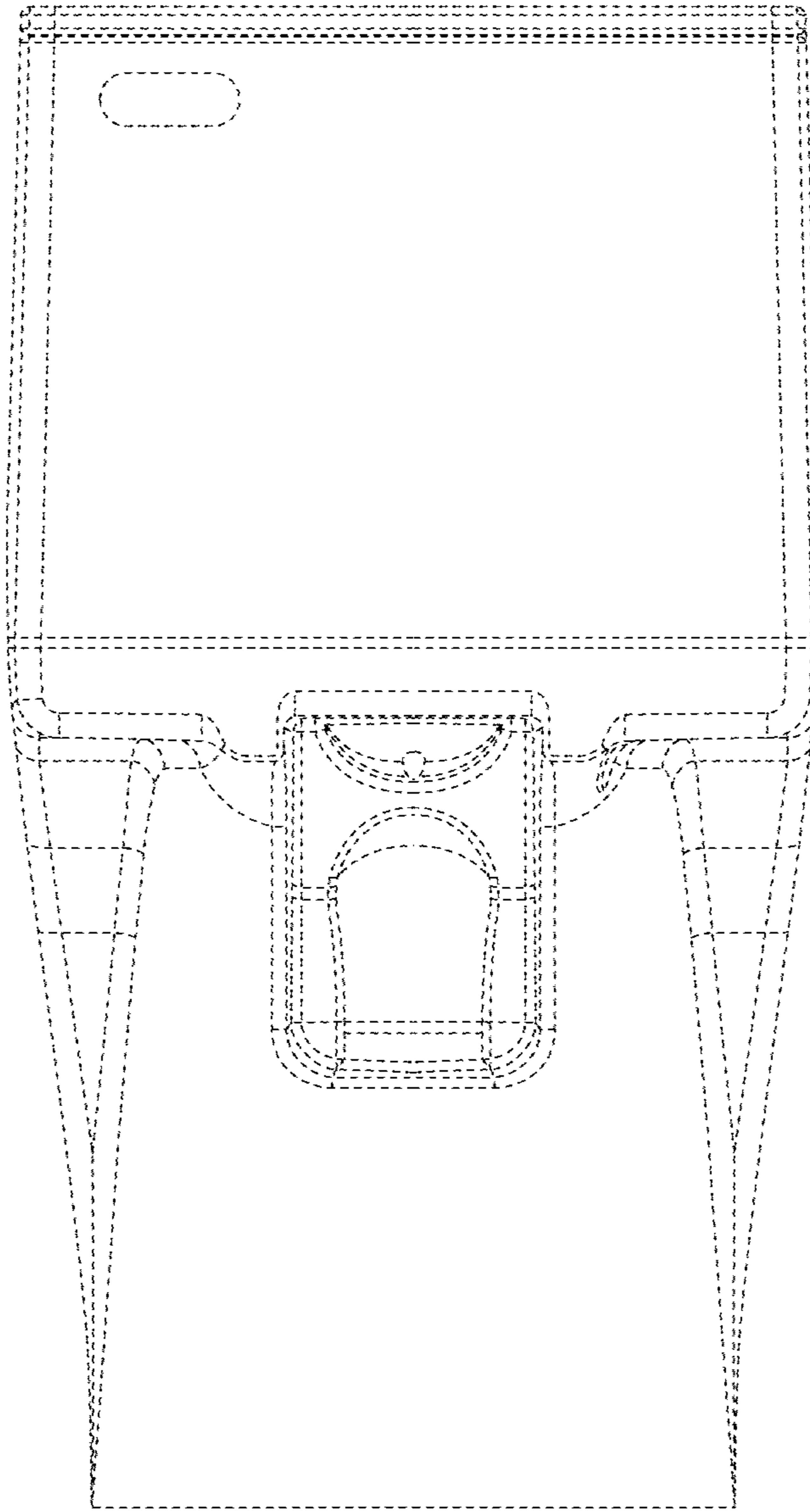


FIG. 3

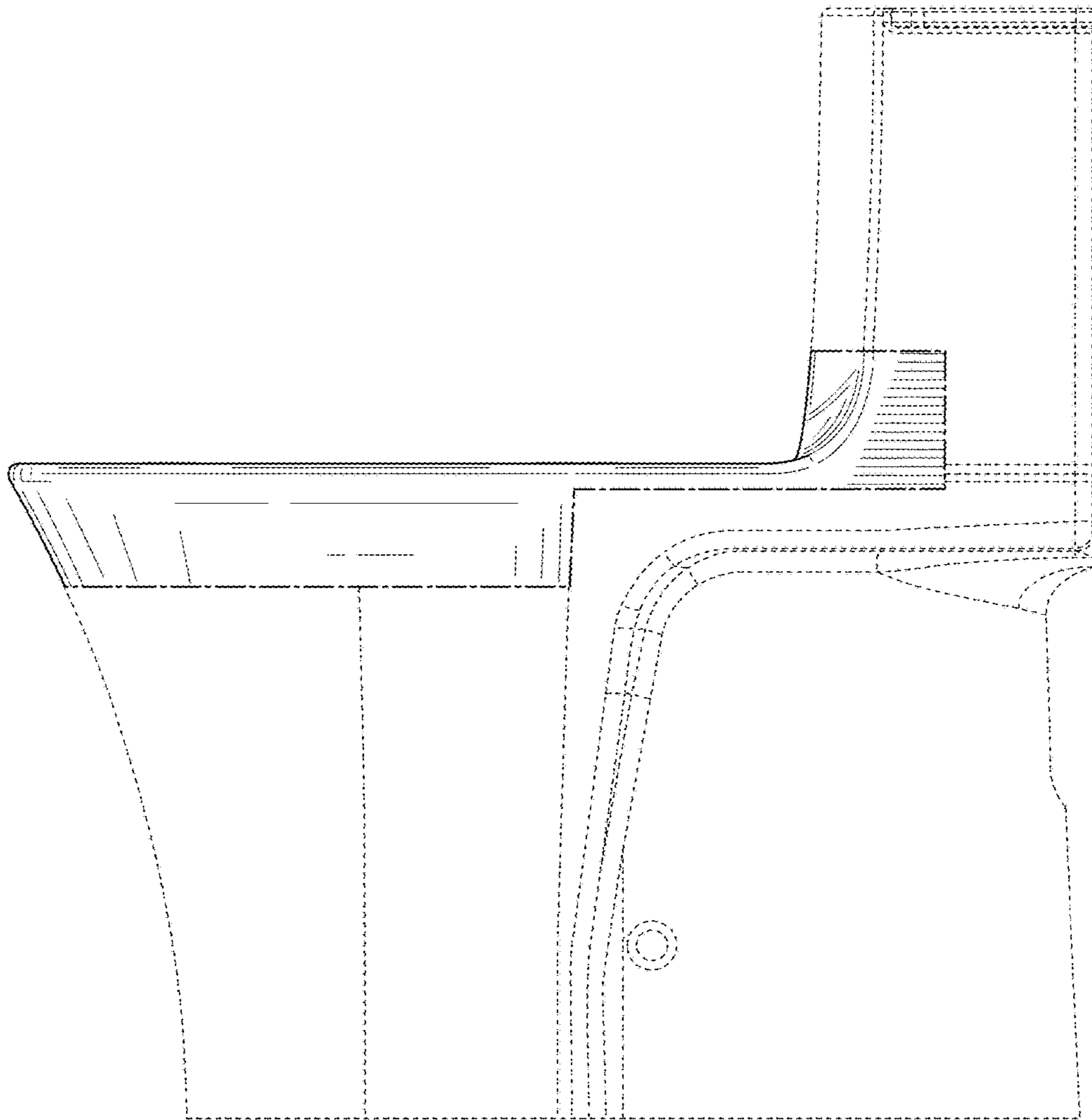


FIG. 4

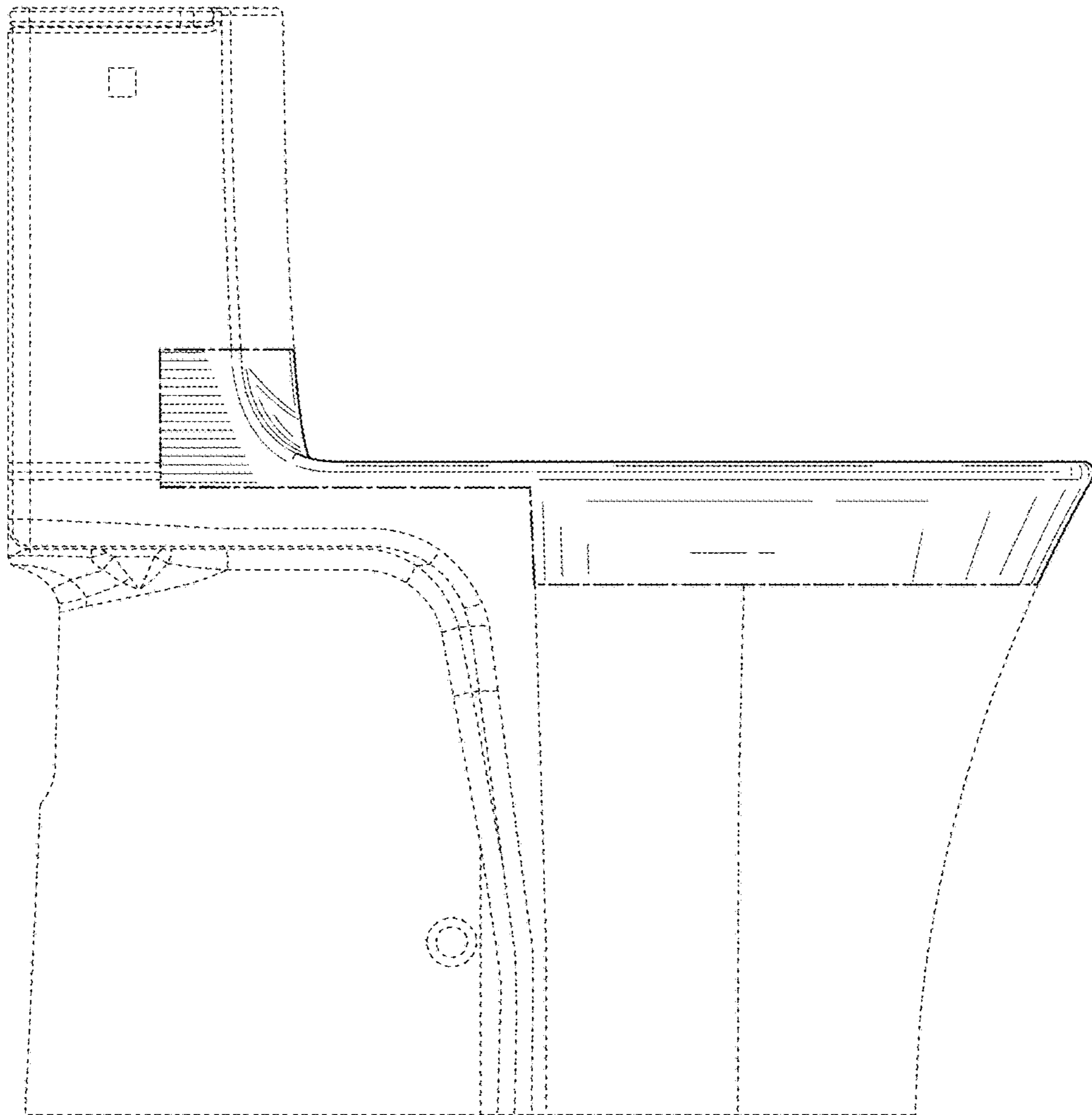


FIG. 5

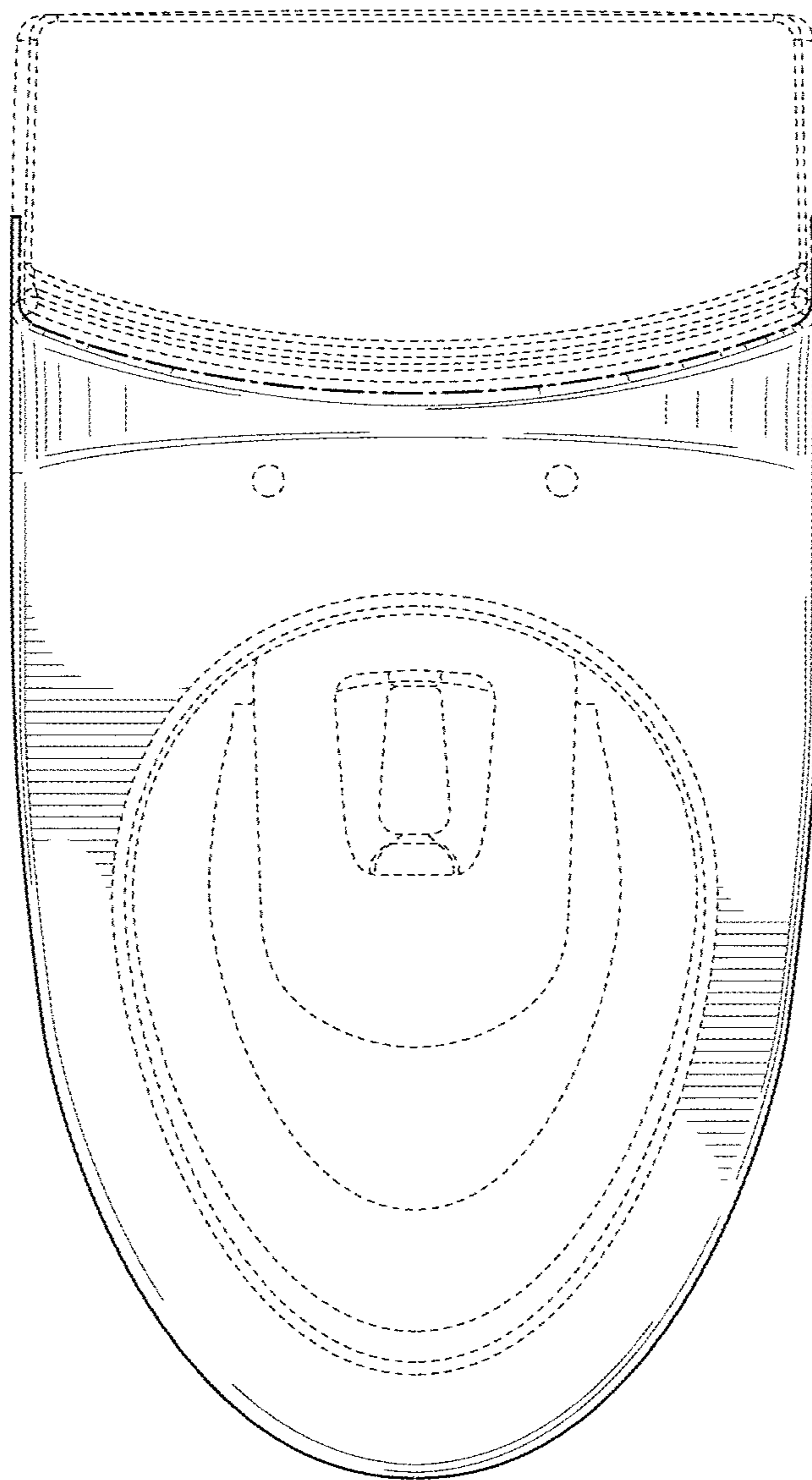


FIG. 6

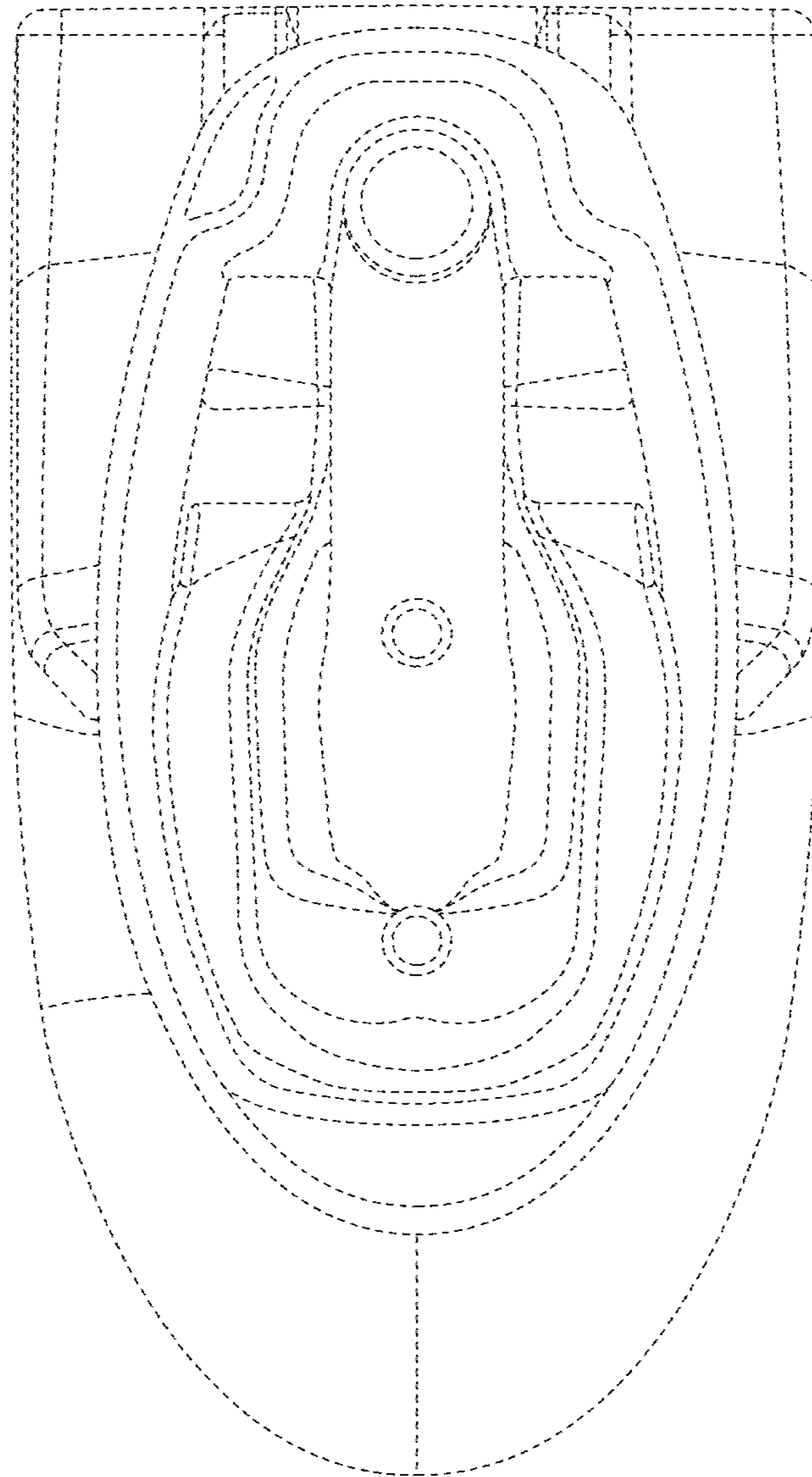


FIG. 7