



US00D784499S

(12) **United States Design Patent** (10) **Patent No.:** **US D784,499 S**
Malinowska-Gebaska et al. (45) **Date of Patent:** **** Apr. 18, 2017**

(54) **BATHTUB**

(71) Applicant: **MARMITE S.A.**, Dopiewo (PL)

(72) Inventors: **Marta Malinowska-Gebaska**, Dopiewo (PL); **Zbigniew Piasecki**, Dopiewo (PL)

(73) Assignee: **MARMITE S.A.**, Dopiewo (PL)

(**) Term: **15 Years**

(21) Appl. No.: **29/560,951**

(22) Filed: **Apr. 12, 2016**

(30) **Foreign Application Priority Data**

Sep. 28, 2015 (EM) 002801811-0013

(51) **LOC (10) Cl.** **23-02**

(52) **U.S. Cl.**
USPC **D23/277**

(58) **Field of Classification Search**
USPC D23/277, 280.1, 275, 273, 303-306
CPC A47K 3/02; A47K 3/001
See application file for complete search history.

(56) **References Cited**

U.S. PATENT DOCUMENTS

D546,925 S *	7/2007	Bruce	D23/277
D615,633 S *	5/2010	Sauvageau	D23/277
D637,699 S *	5/2011	Messier	D23/277
D709,598 S *	7/2014	Dupras	D23/280.1

* cited by examiner

Primary Examiner — Robert Delehanty

(74) *Attorney, Agent, or Firm* — Katten Muchin Rosenman LLP

(57) **CLAIM**

The ornamental design for a bathtub, as shown and described.

DESCRIPTION

FIG. 1 is a front perspective view of a first embodiment of the bathtub.

FIG. 2 is a top view of the bathtub of FIG. 1.

FIG. 3 is a left side view of the bathtub of FIG. 1.

FIG. 4 is a rear view of the bathtub of FIG. 1.

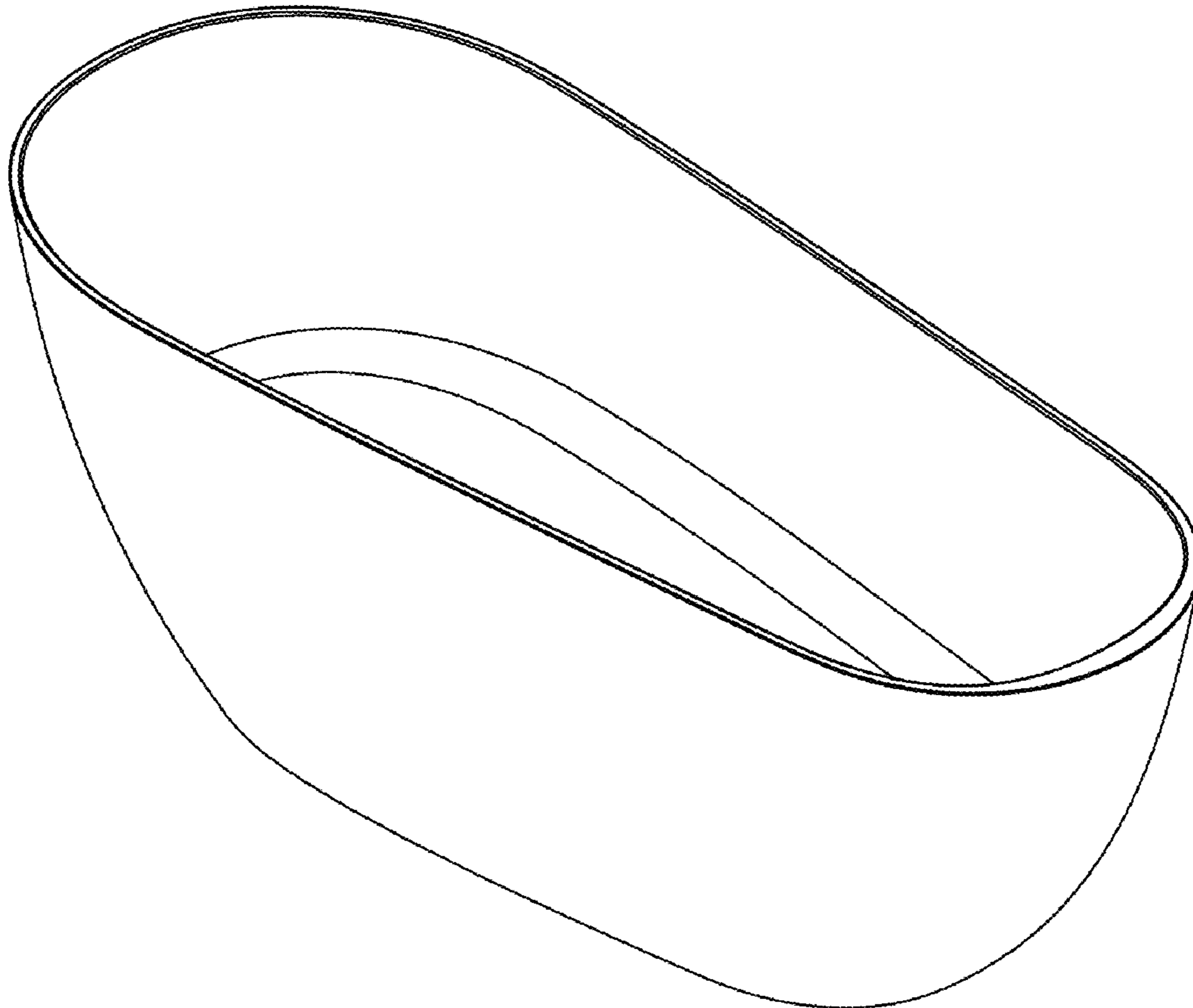
FIG. 5 is a bottom view of the bathtub of FIG. 1.

FIG. 6 is a left side cutaway view of the bathtub of FIG. 1.

FIG. 7 is a rear cutaway view of the bathtub of FIG. 1; and,

FIG. 8 is a rear cutaway view of the bathtub of FIG. 1.

1 Claim, 6 Drawing Sheets



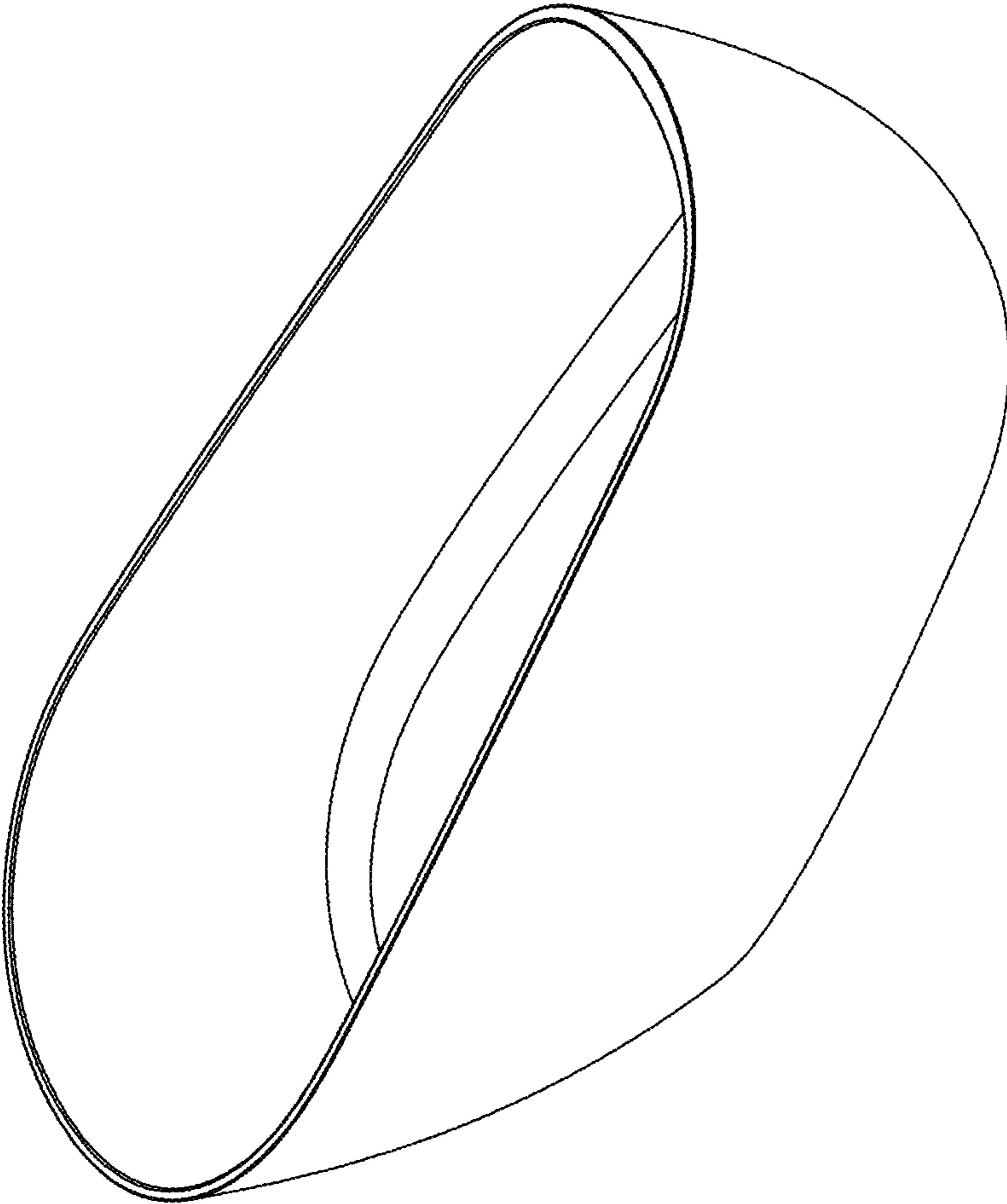


Fig.1

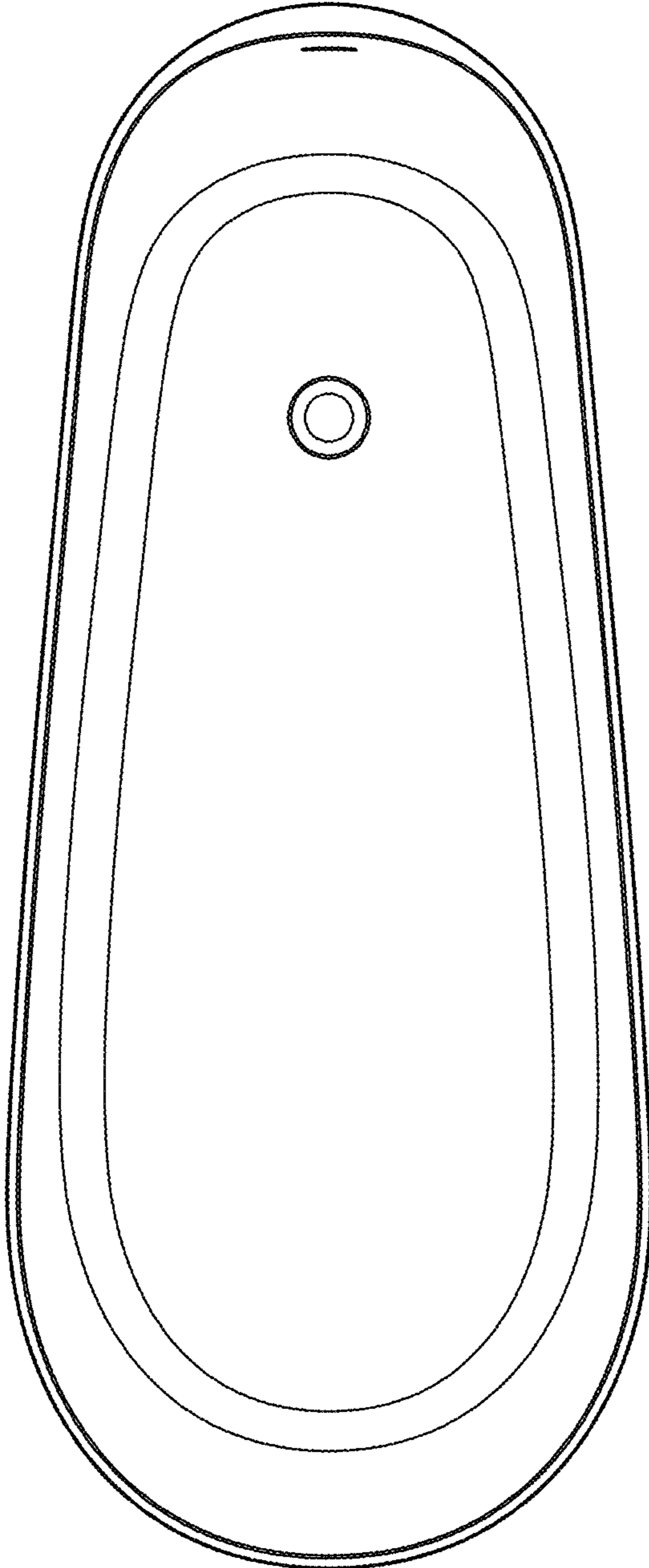


Fig.2

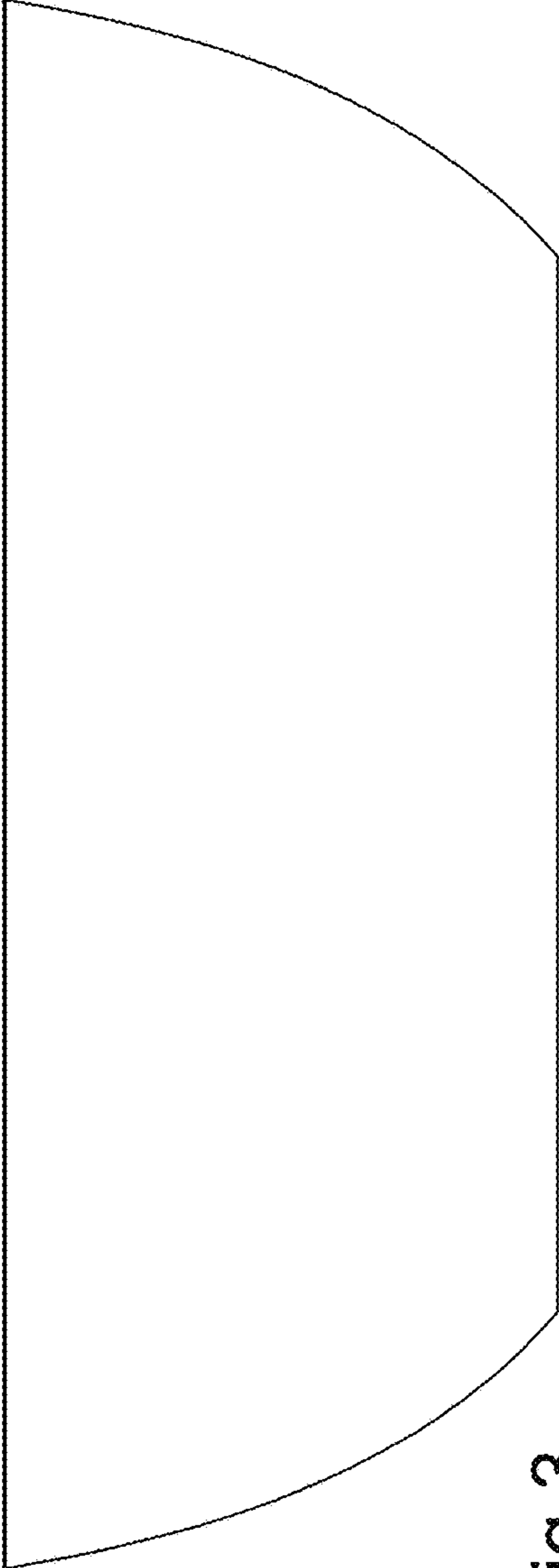


Fig.3

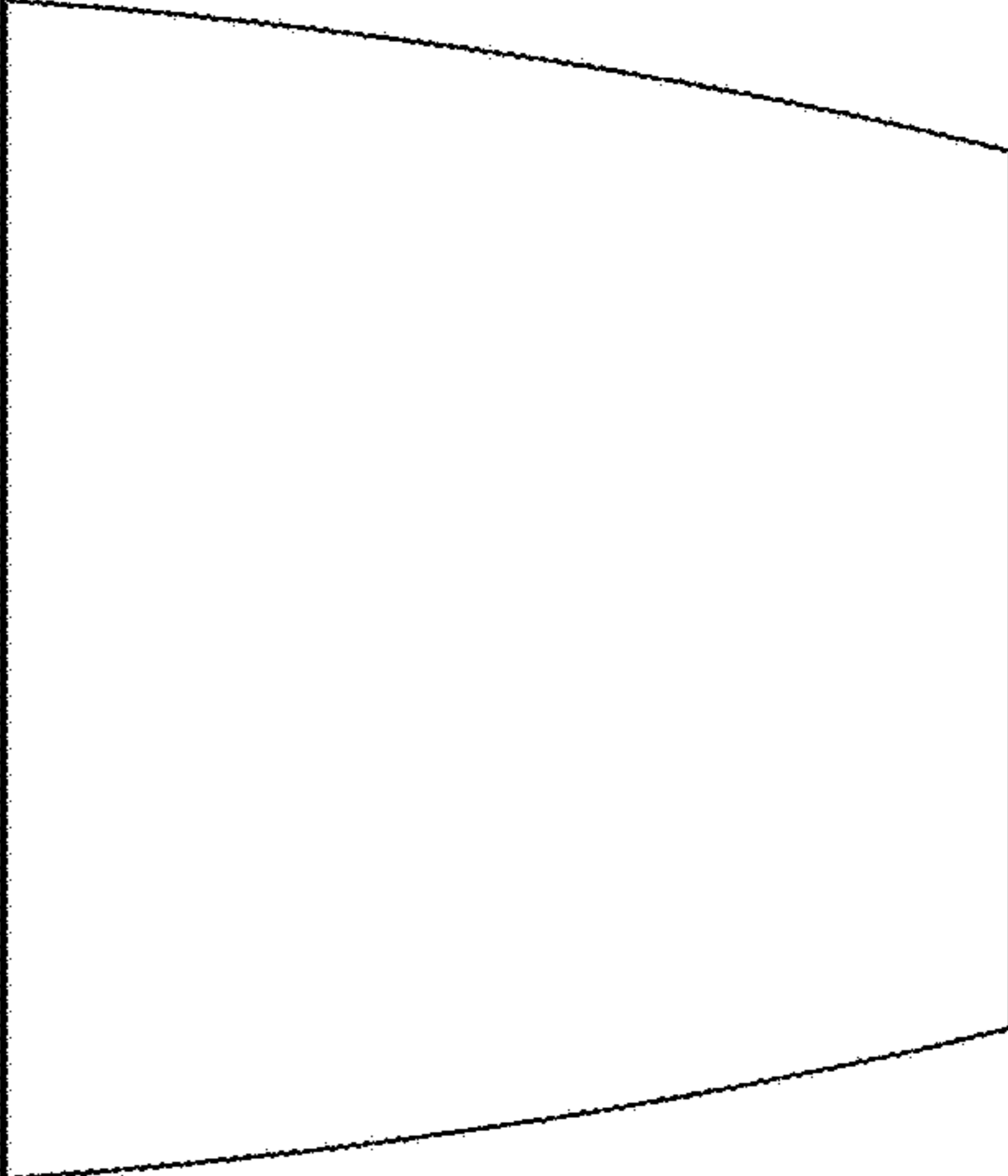


Fig.4

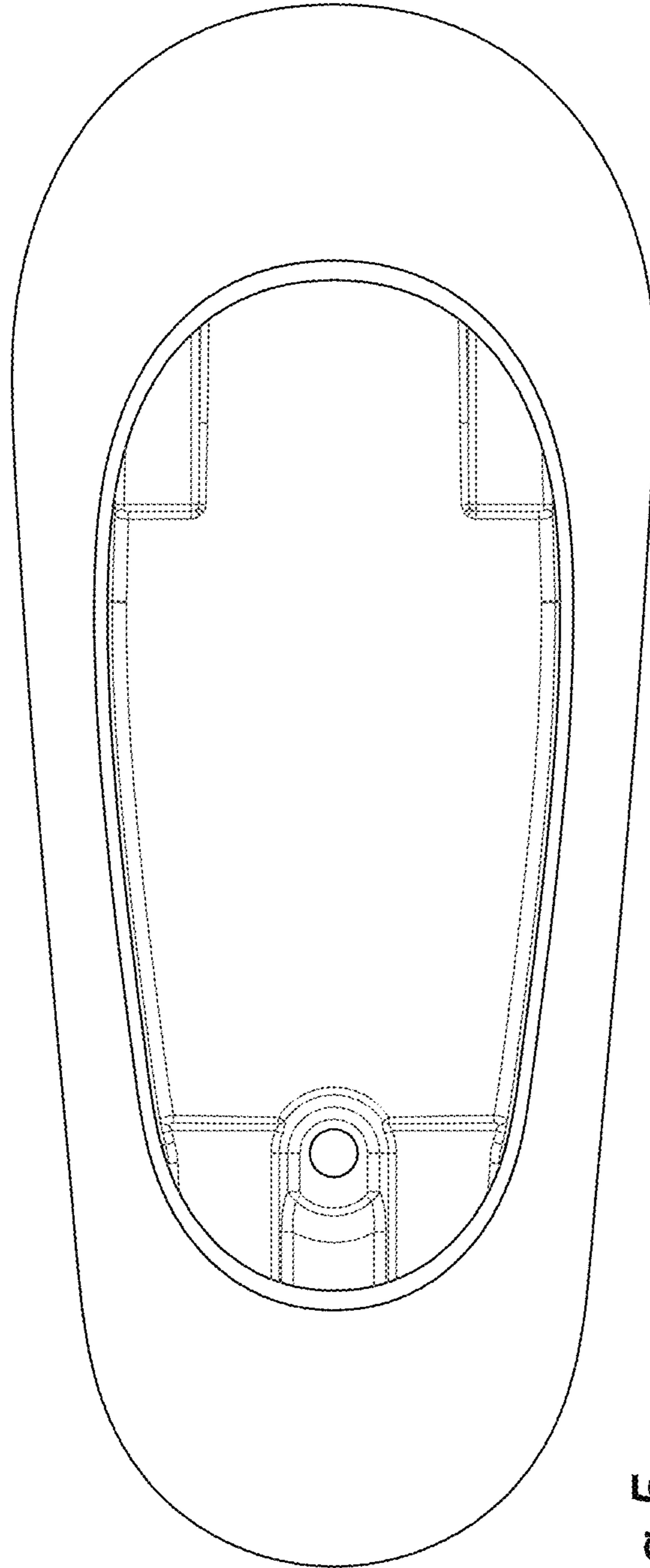


Fig. 5

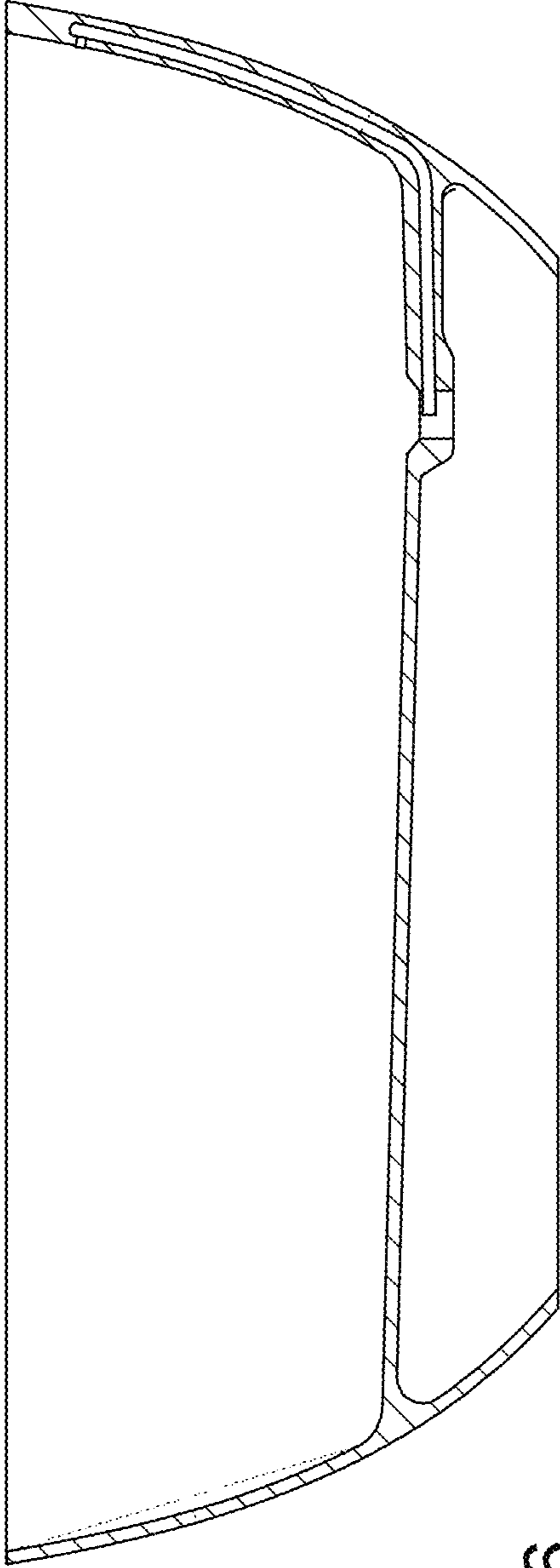


Fig.6

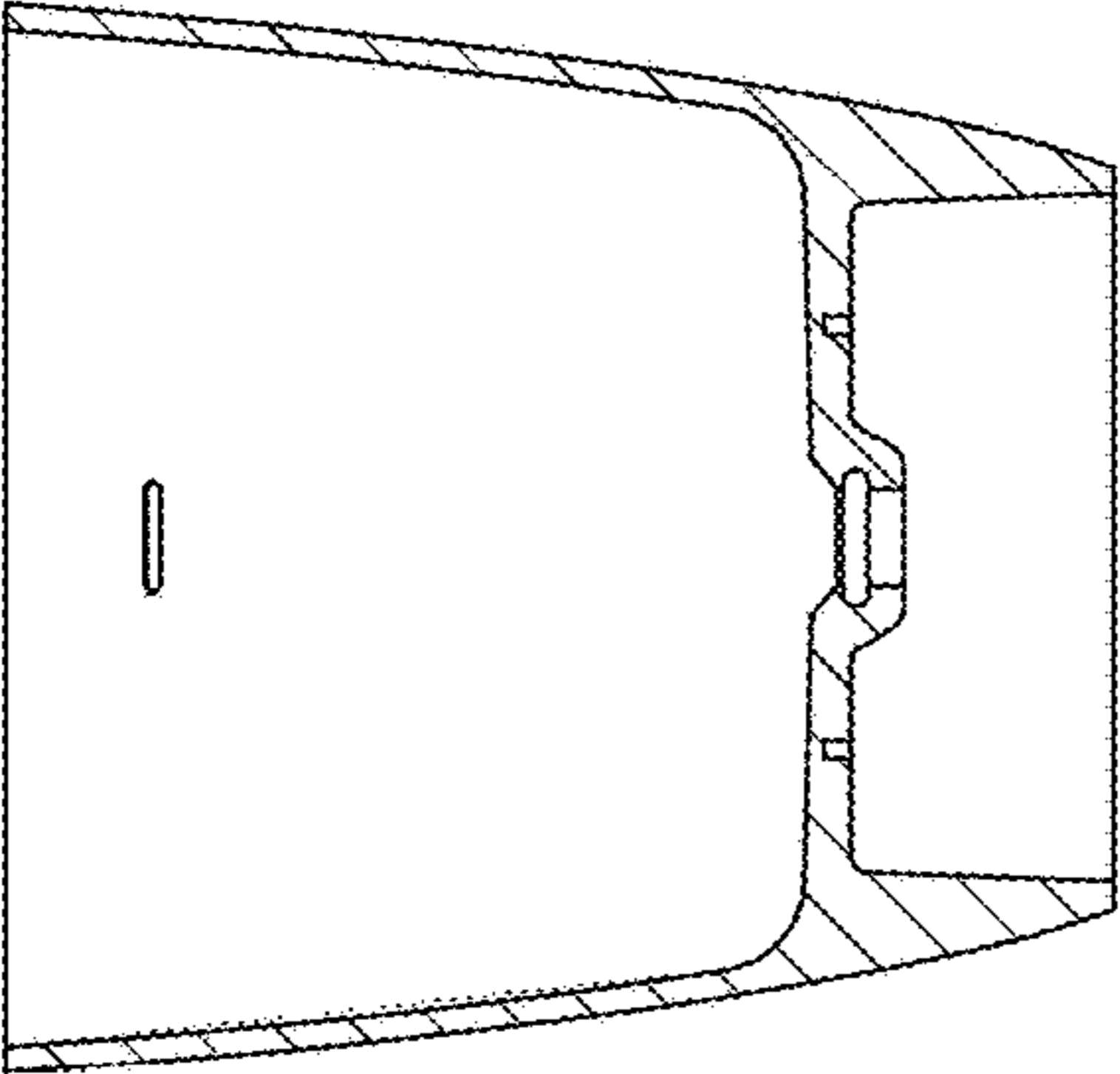


Fig. 7

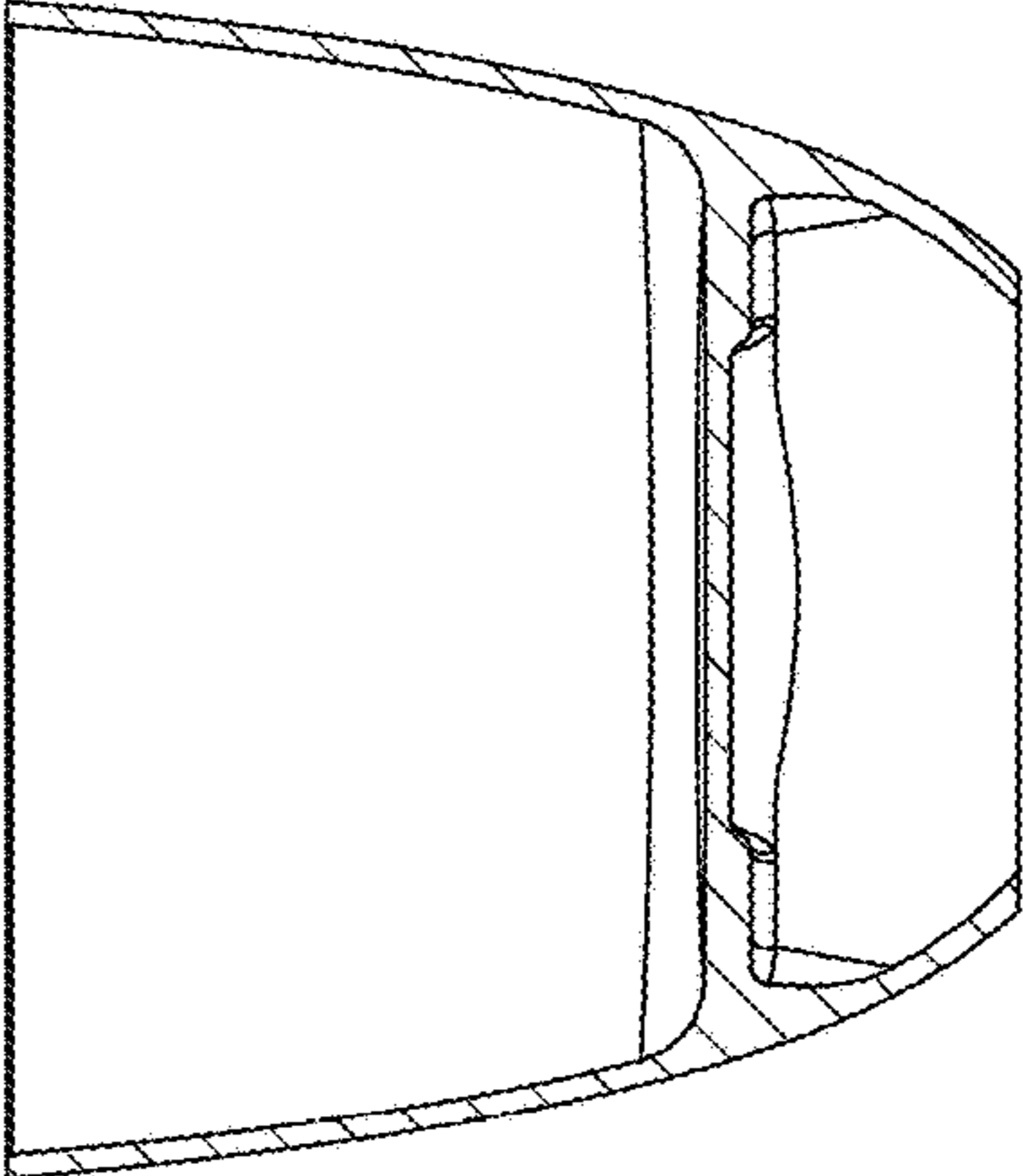


Fig. 8