

US00D784498S

(12) **United States Design Patent** (10) **Patent No.:** **US D784,498 S**
LaCroix (45) **Date of Patent:** **** Apr. 18, 2017**

(54) **LOCKING RING** 7,399,005 B2 * 7/2008 Rigollet F16L 23/08
24/279
(71) Applicant: **Kelso Technologies Inc.**, North Delta D633,183 S * 2/2011 Heintzman D23/269
(CA) 9,470,320 B1 * 10/2016 LaCroix F16K 5/0694
2004/0108660 A1 * 6/2004 Frew F16J 15/122
(72) Inventor: **Barry LaCroix**, North Delta (CA) 2010/0119308 A1 * 5/2010 Somerville B63B 21/502
405/216
(**) Term: **15 Years** 2015/0136778 A1 * 5/2015 Johnson B65D 90/10
220/288
(21) Appl. No.: **29/545,856** 2015/0340916 A1 * 11/2015 Kang F04D 17/08
310/156.12

(22) Filed: **Nov. 17, 2015**
(51) **LOC (10) Cl.** **23-01**
(52) **U.S. Cl.**

USPC **D23/269**
(58) **Field of Classification Search**
USPC D15/138-141, 143, 199; 105/377,
105/377.05, 377.07, 377.11; 220/200,
220/203.01, 327, 288, 315, 373, 231, 291;
D23/233, 249, 253, 259, 262, 269;
D8/20; 52/20; 137/350, 382, 584, 590;
292/256, 212; 165/75; 405/8, 216;
384/462; D25/36; 404/26; 277/628;
24/279; 310/156.12
CPC E01F 15/0438; B23B 29/26; B23Q 11/10;
B23Q 3/086; E21B 2033/005; E21B
33/043; F16K 27/003; F16K 31/0665;
Y10S 285/917; Y10T 407/14; Y10T
408/44; Y10T 82/16065; B65D 90/10;
B65D 90/00; B65D 90/34; B65D
2590/666; B65D 53/02; B61D 5/08
See application file for complete search history.

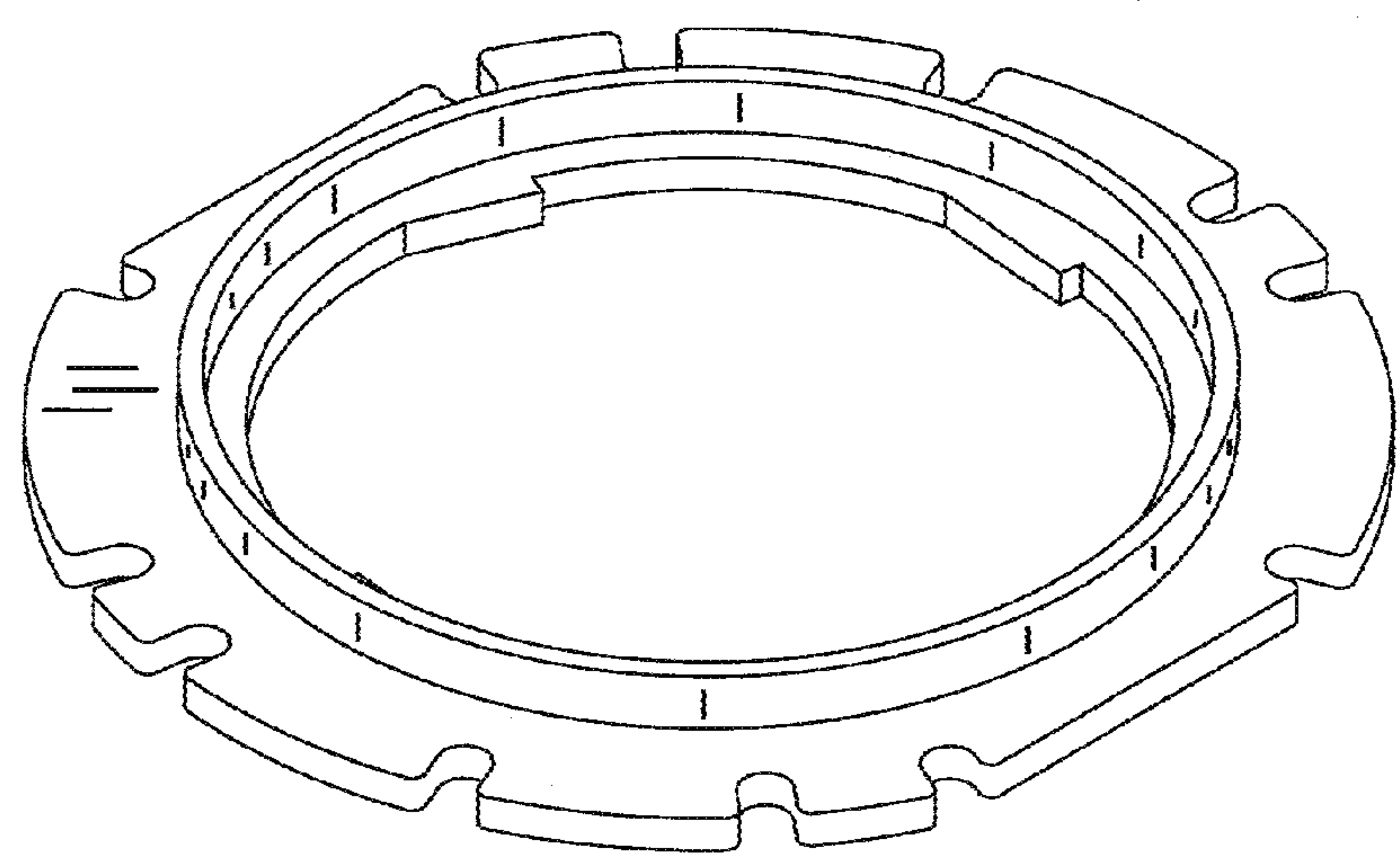
(56) **References Cited**
U.S. PATENT DOCUMENTS
D247,254 S * 2/1978 Brown D25/36
4,121,390 A * 10/1978 Hall E02D 29/121
404/26

OTHER PUBLICATIONS
Kelsotech "Universal Manway Load Plate Adapter", www.kelsotech.com. Aug. 31, 2015. shown in p. 1, Model # AP-AD.*
* cited by examiner
Primary Examiner — Cynthia Ramirez
Assistant Examiner — Michael Maharajh

(57) **CLAIM**
The ornamental design for a locking ring, as shown and described.

DESCRIPTION
FIG. 1 is a front top perspective view of a locking ring, showing my new design;
FIG. 2 is a top plan view thereof;
FIG. 3 is a side elevational view thereof; and,
FIG. 4 is a bottom plan view thereof.

1 Claim, 4 Drawing Sheets



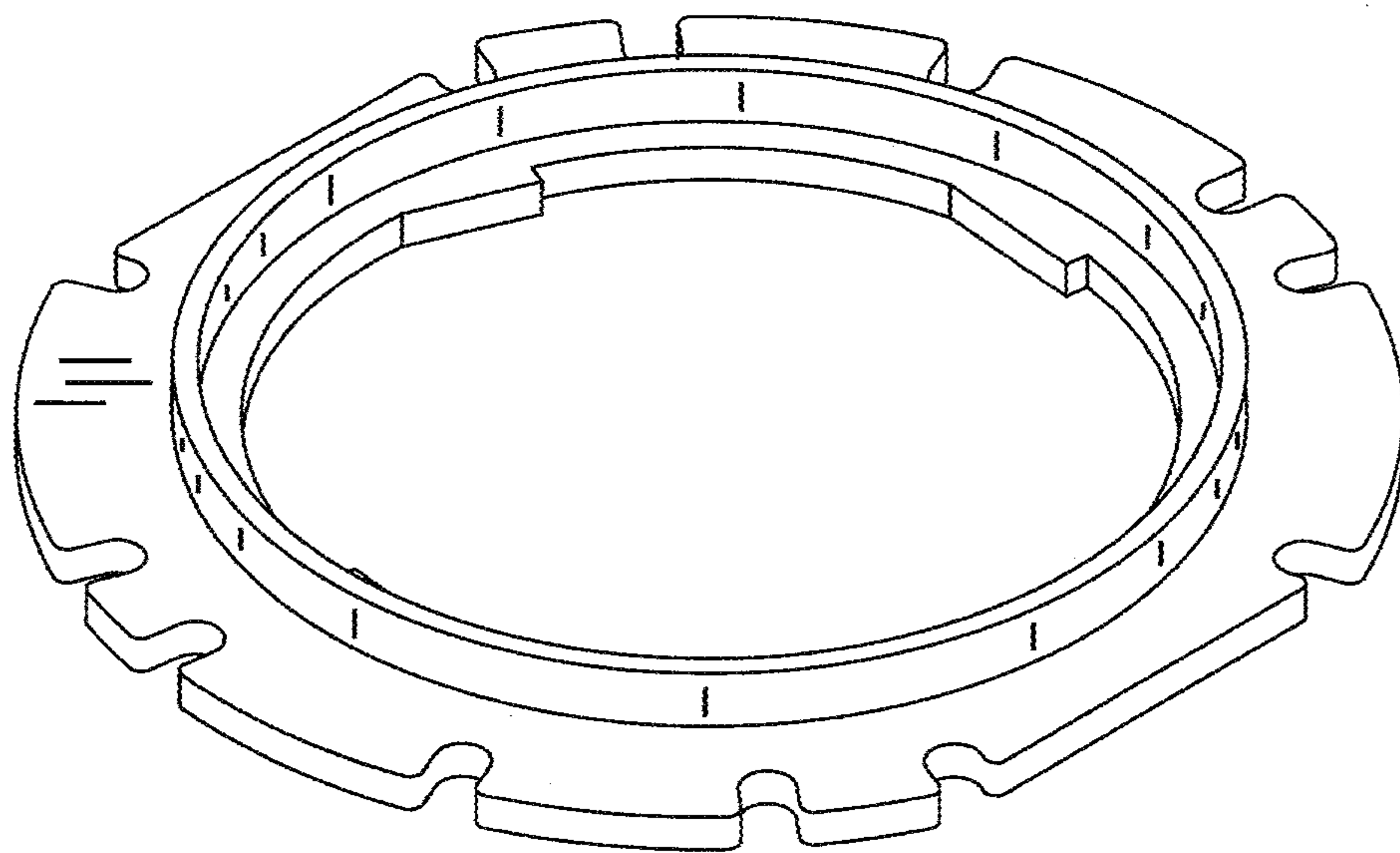


Figure 1

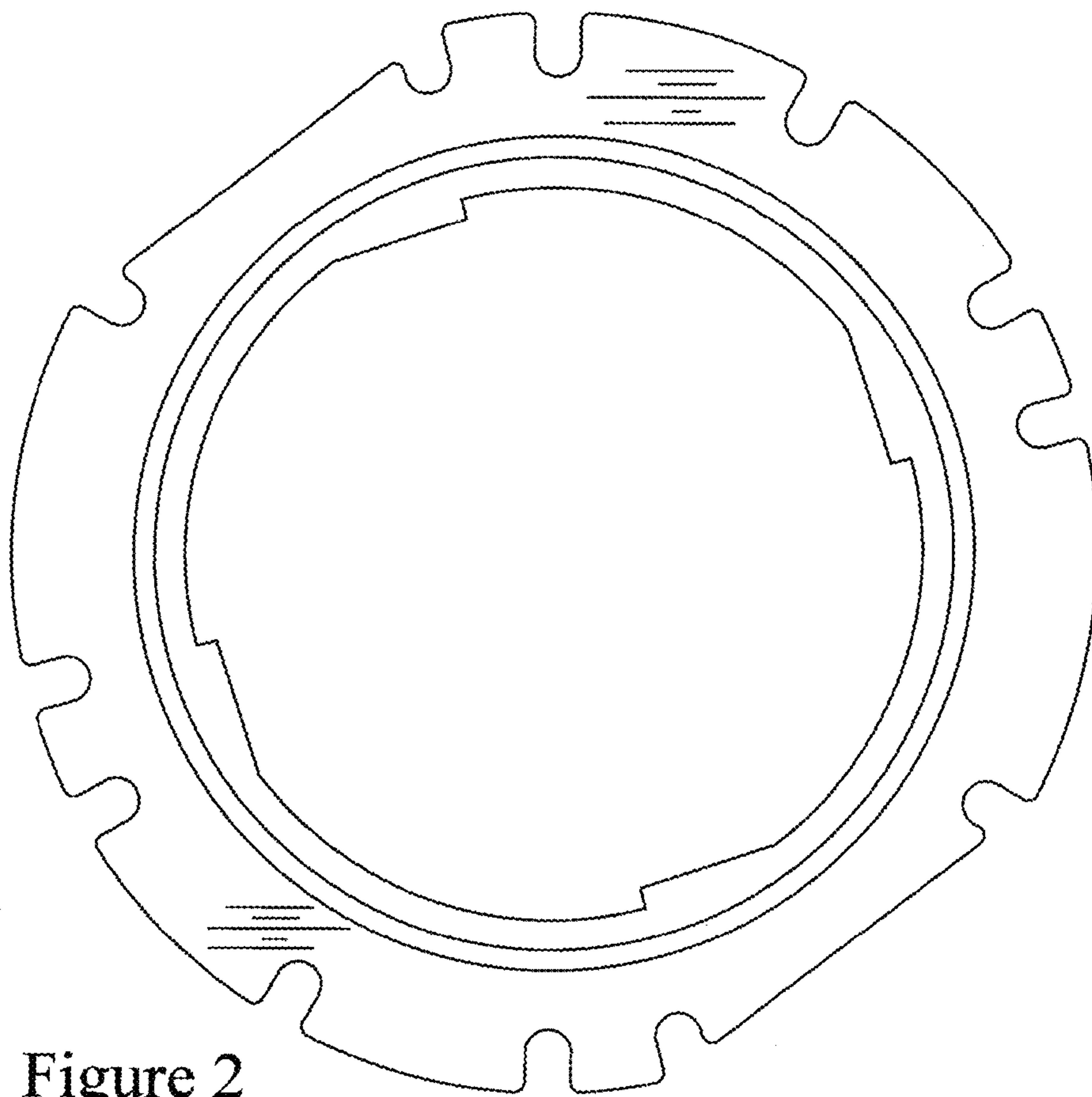


Figure 2

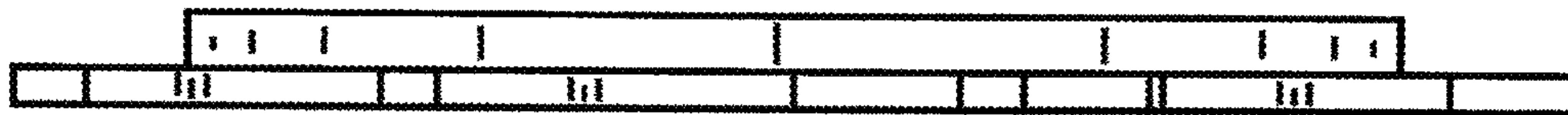


Figure 3

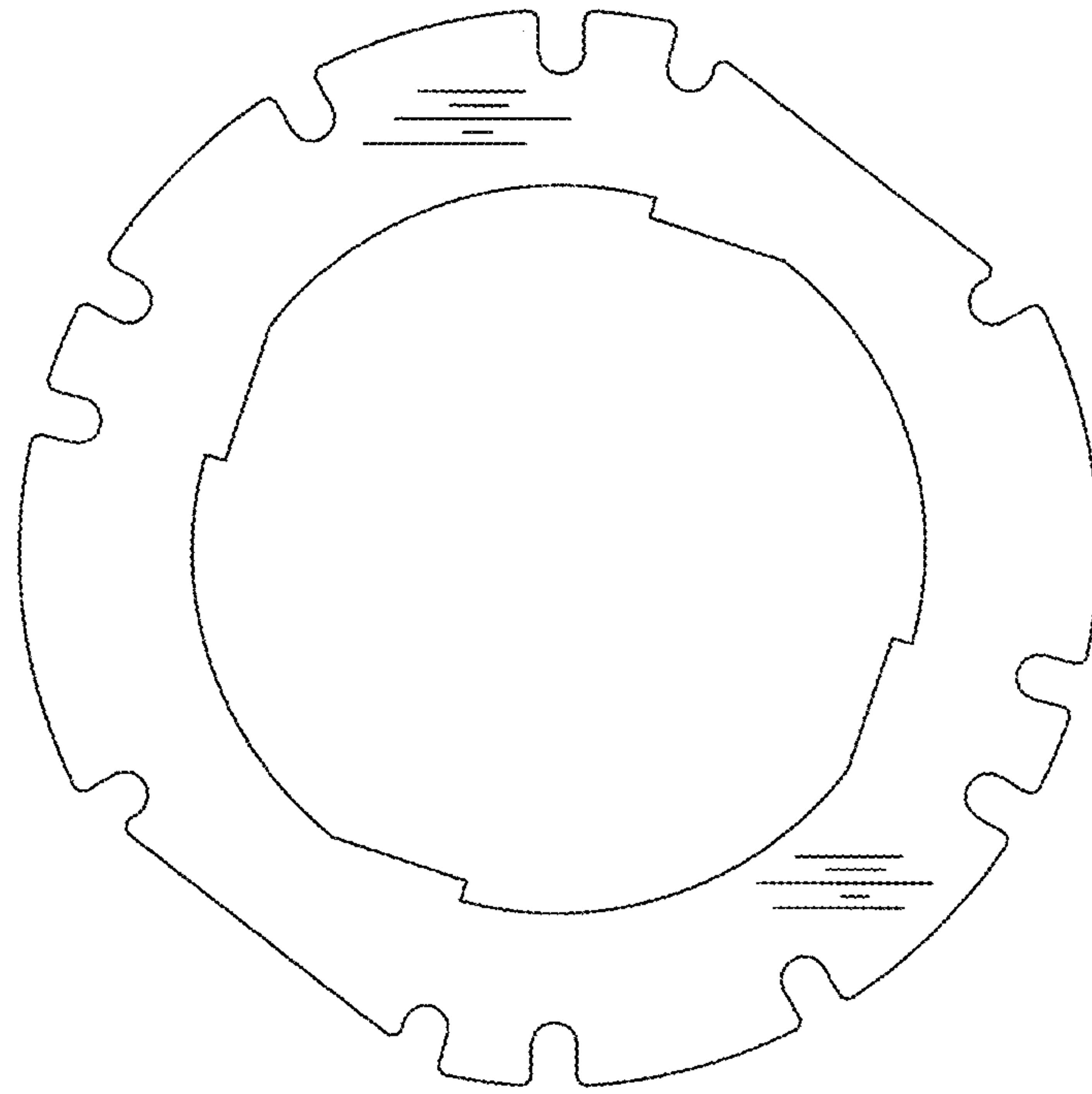


Figure 4