



US00D784496S

(12) **United States Design Patent** (10) **Patent No.:** **US D784,496 S**
Smeller et al. (45) **Date of Patent:** **** Apr. 18, 2017**

(54) **VALVE HANDLE SUPPORT BLOCK**

(71) Applicant: **Lancer Corporation**, San Antonio, TX (US)

(72) Inventors: **Donald W. Smeller**, Converse, TX (US); **Merrill R. Good**, San Antonio, TX (US); **James E. Bruce, II**, San Antonio, TX (US)

(73) Assignee: **Lancer Corporation**, San Antonio, TX (US)

(**) Term: **15 Years**

(21) Appl. No.: **29/555,541**

(22) Filed: **Feb. 23, 2016**

(51) **LOC (10) Cl.** **23-01**

(52) **U.S. Cl.**
USPC **D23/249**

(58) **Field of Classification Search**
USPC D25/118; D21/505; D15/138-143, 199; 105/377; 220/203.01, 237; D23/233, D23/249, 251, 303, 422, 499; D8/20, D8/349, 354, 380; 182/113; 137/802; 251/92, 369, 90, 234, 282; D13/155, D13/133, 199; 52/20; 248/544, 545, 248/546, 688, 689, 562, 637, 648, 121, 248/49, 75, 676
CPC E01F 15/0438; B23B 29/26; B23Q 11/10; B23Q 3/086; E21B 2033/005; E21B 33/043; F16K 27/003; F16K 31/0665; Y10S 285/917; Y10T 407/14; Y10T 408/44; Y10T 82/16065

See application file for complete search history.

(56) **References Cited**

U.S. PATENT DOCUMENTS

D417,135 S * 11/1999 McMahon D13/155
D548,366 S * 8/2007 Price D25/113

D692,393 S * 10/2013 Hillman D13/102
D717,617 S * 11/2014 Pascuzzo D8/1
D738,711 S * 9/2015 Tally D8/380
D758,834 S * 6/2016 Tally D8/380
2005/0097836 A1* 5/2005 Krovats E04D 13/12
52/198
2007/0045482 A1* 3/2007 Smart F16L 3/04
248/68.1
2009/0218453 A1* 9/2009 Brenner F16L 3/04
248/74.1
2011/0036918 A1* 2/2011 Van Der
Houwen B28B 19/0046
238/109

* cited by examiner

Primary Examiner — Cynthia Ramirez

Assistant Examiner — Michael Maharajh

(74) *Attorney, Agent, or Firm* — Christopher L. Makay

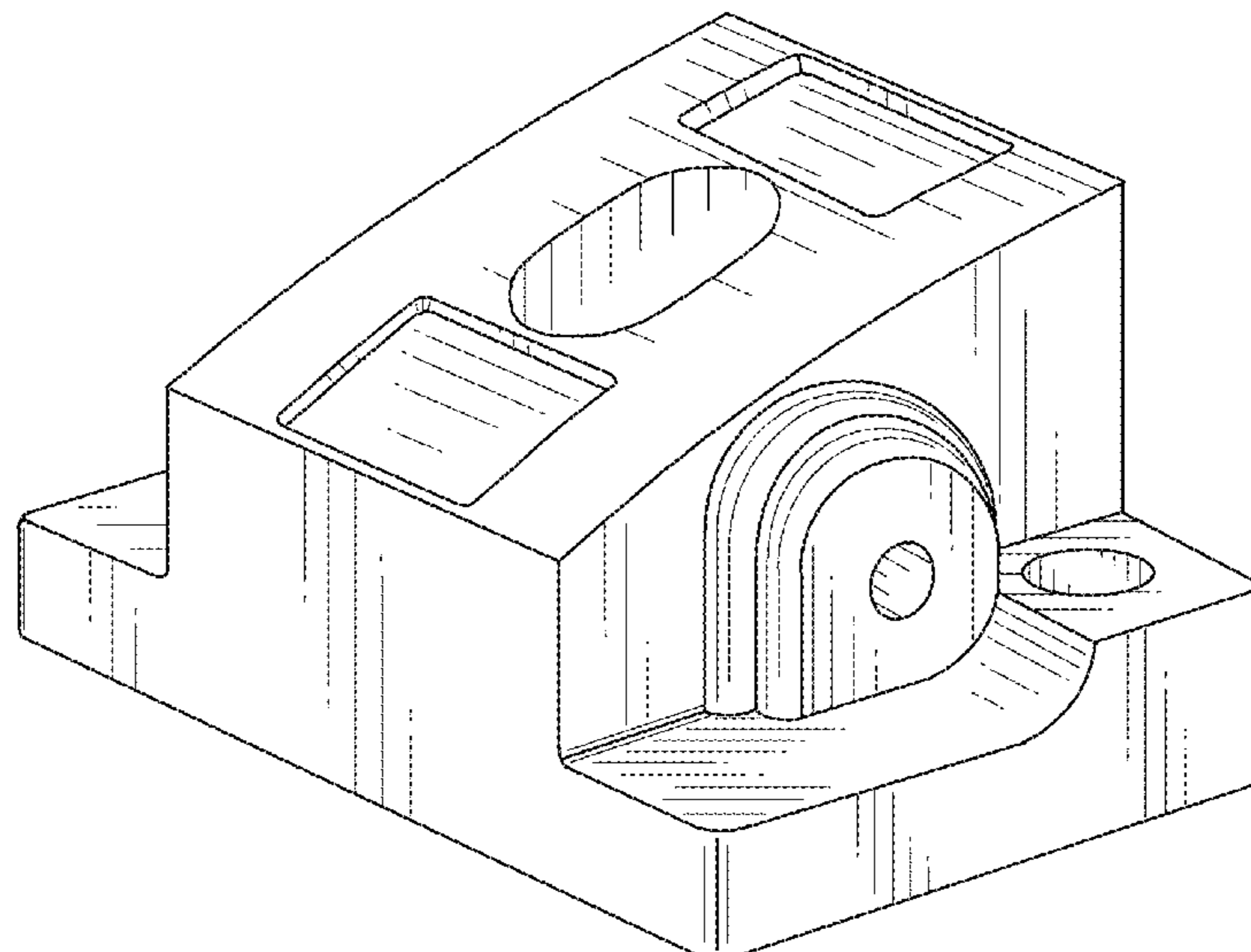
(57) **CLAIM**

The ornamental design for a valve handle support block, as shown and described.

DESCRIPTION

FIG. 1 is a top plan view of the valve handle support block, showing our new design;
FIG. 2 is a front elevational view thereof;
FIG. 3 is a left side elevational view thereof;
FIG. 4 is a right side elevational view thereof;
FIG. 5 is a rear elevational view thereof;
FIG. 6 is a bottom elevational view thereof; and,
FIG. 7 is a perspective view thereof.
The broken lines shown in FIG. 6 represent portions of the valve handle support block that forms no part of the claimed design.

1 Claim, 4 Drawing Sheets



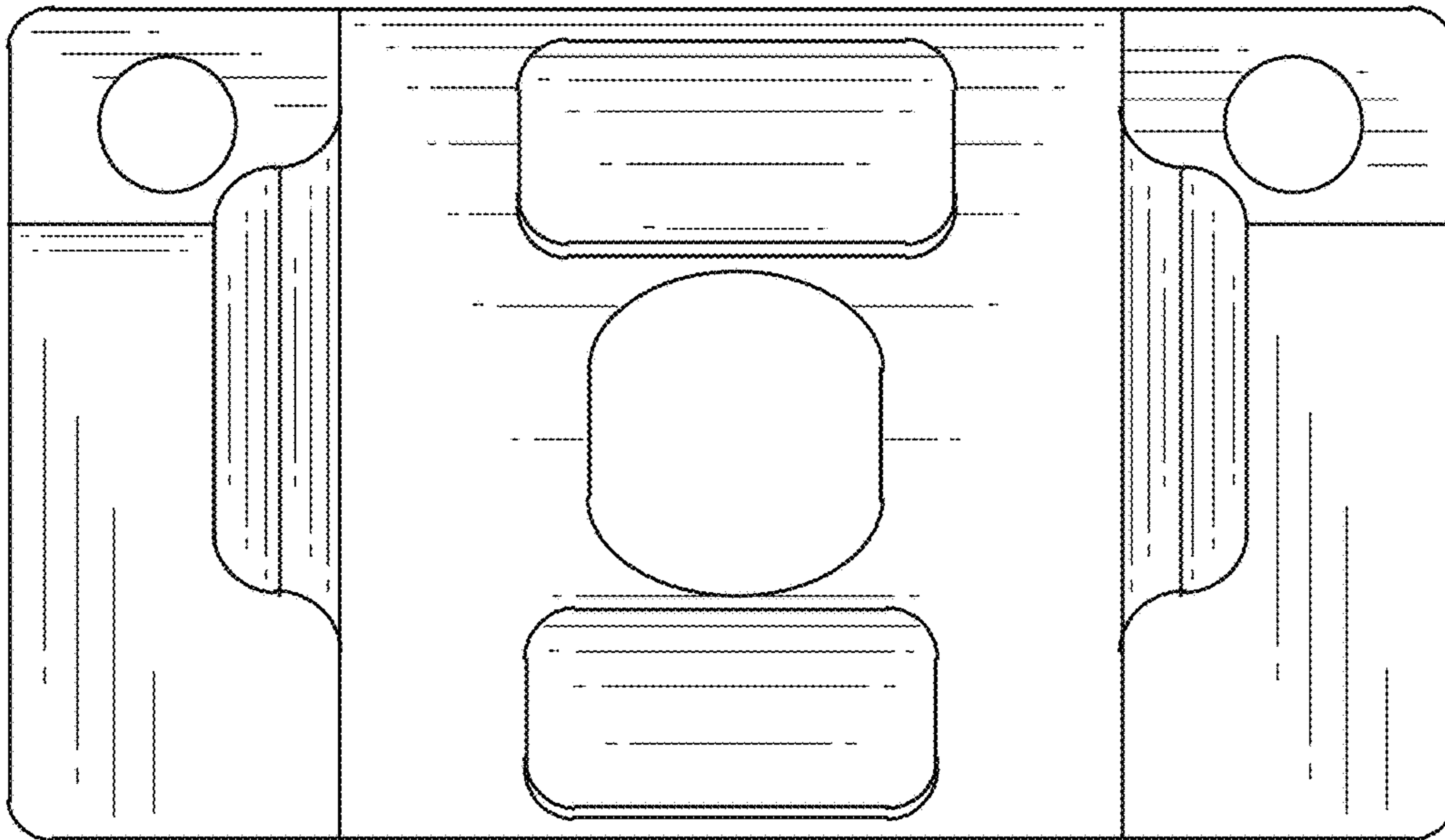


Fig. 1

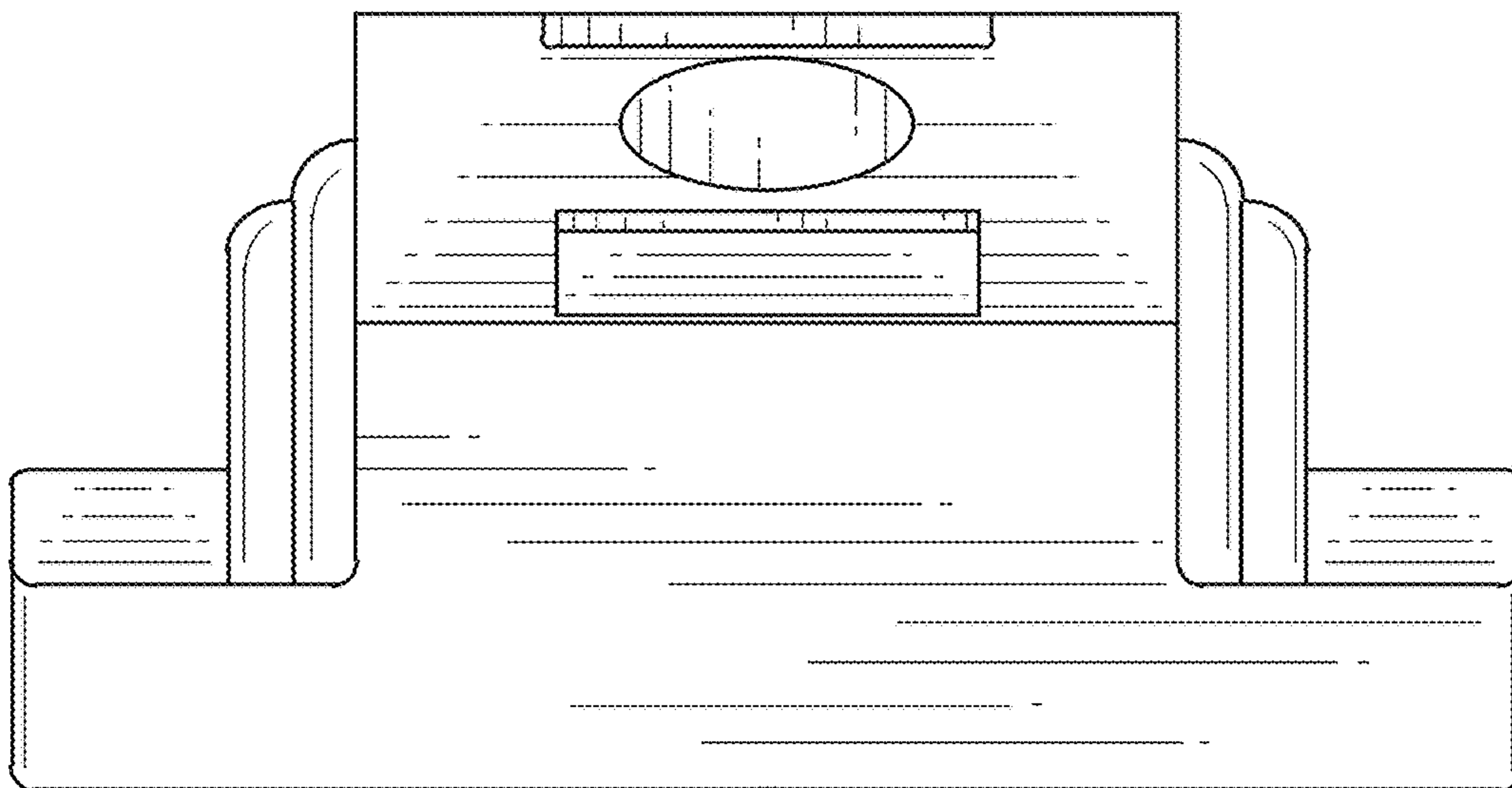


Fig. 2

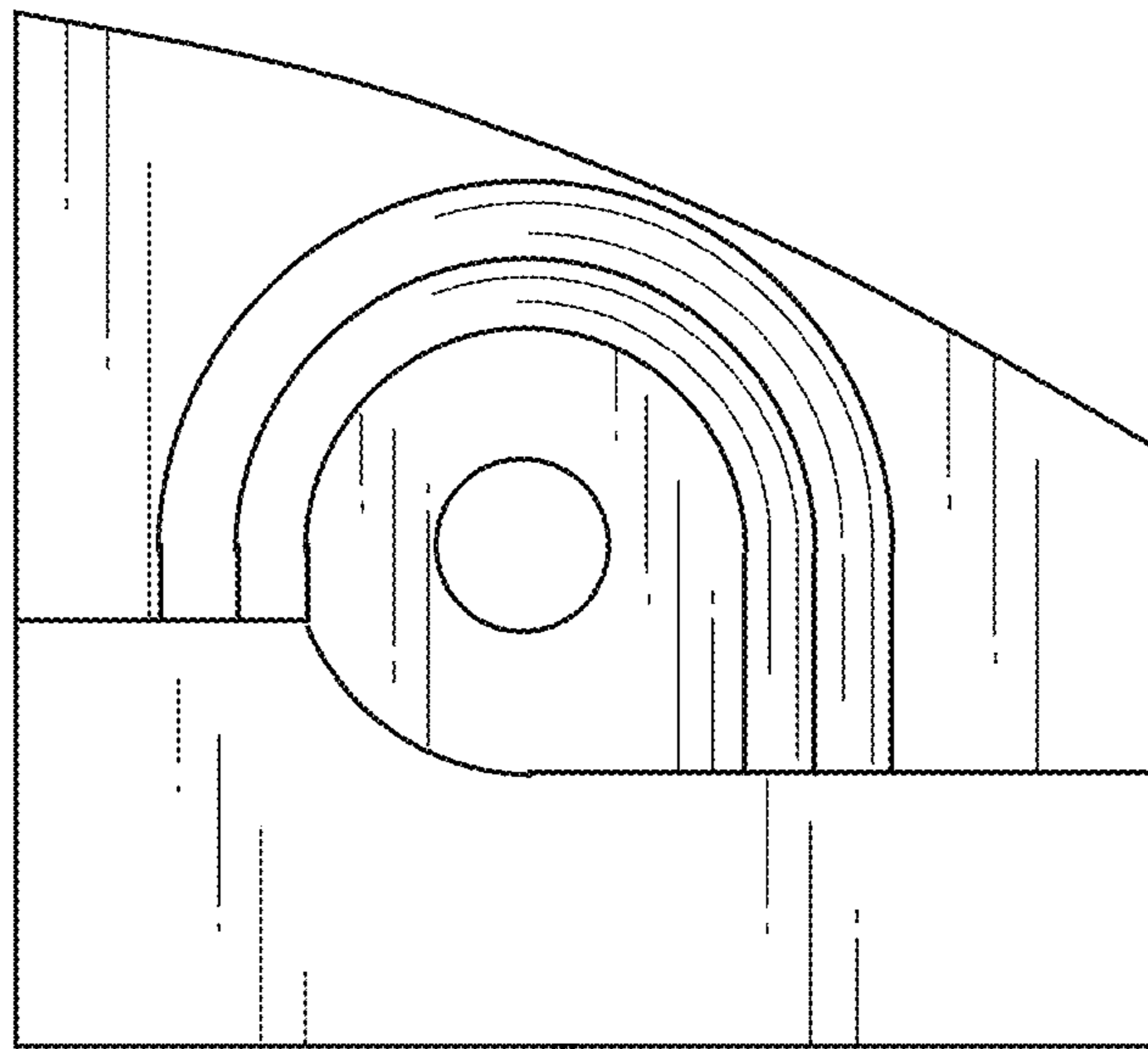


Fig. 3

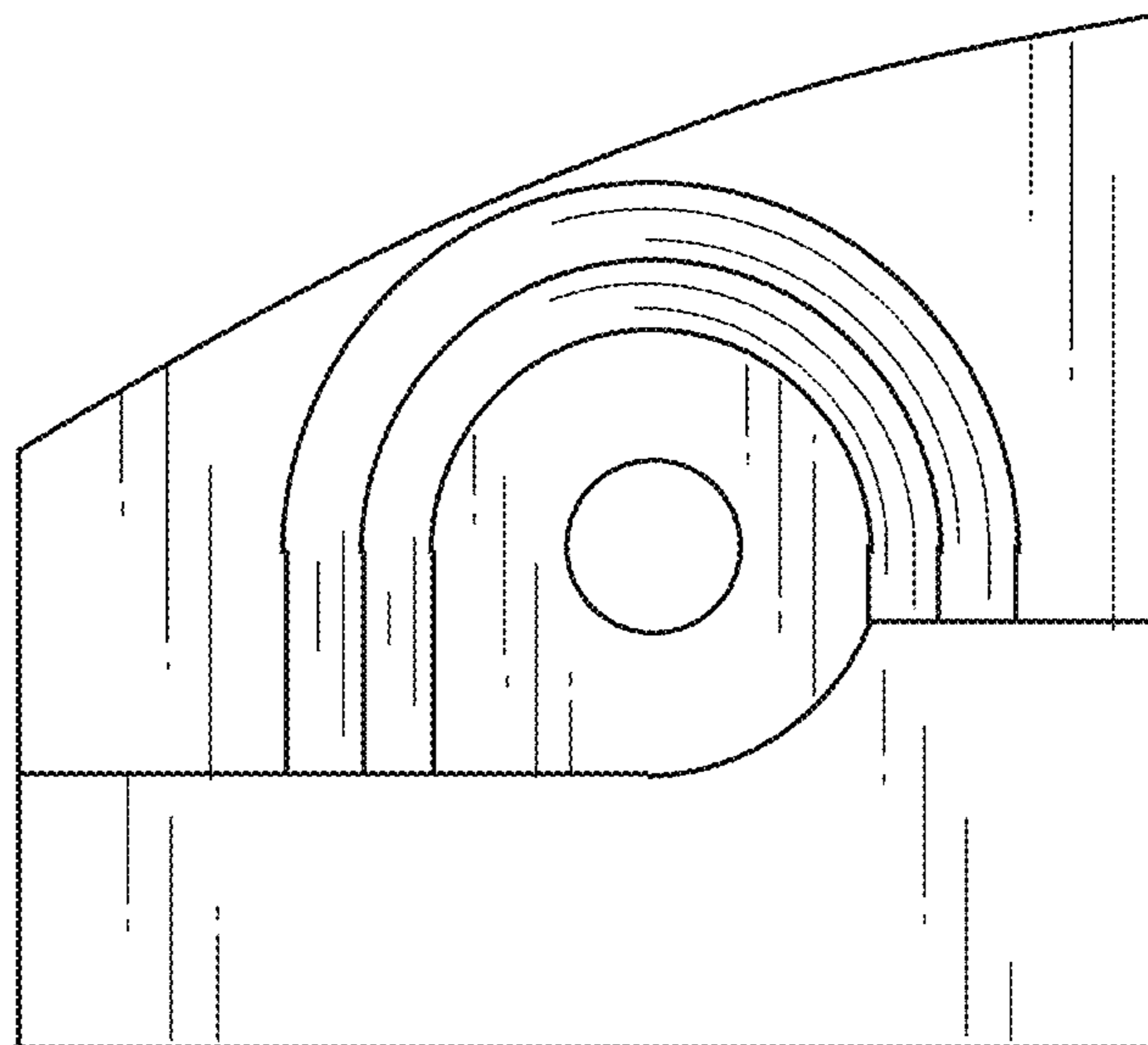


Fig. 4

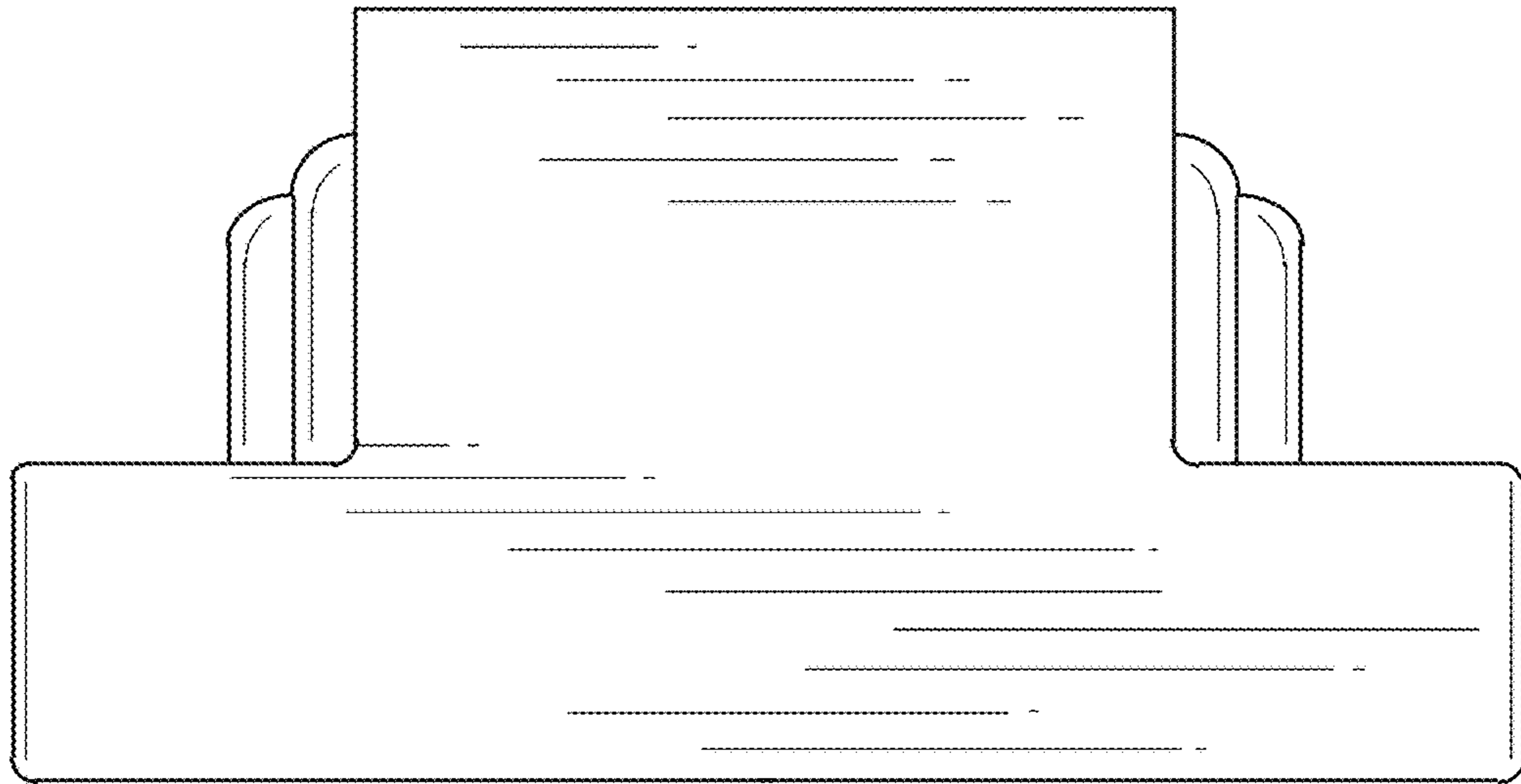


Fig. 5

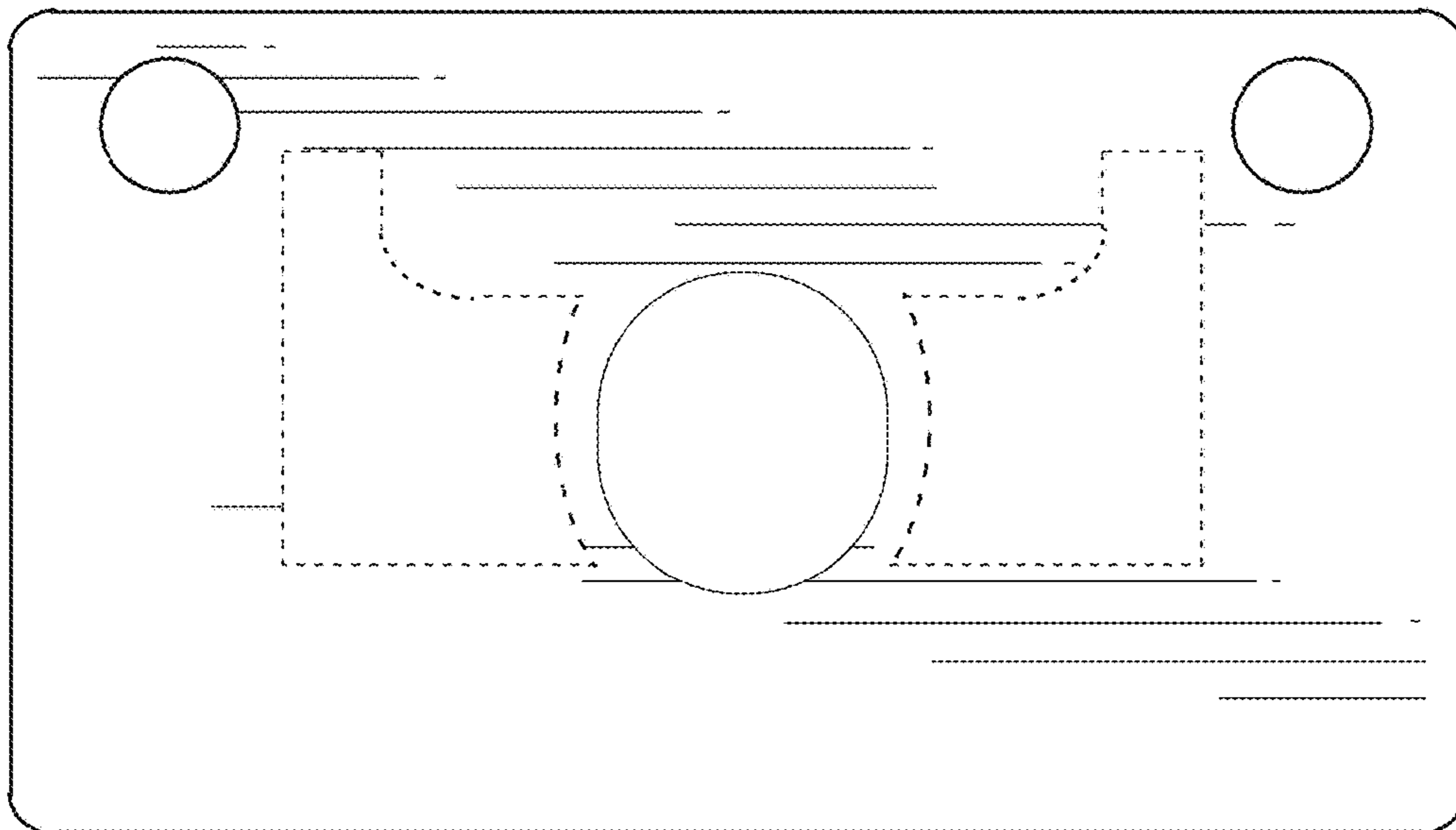


Fig. 6

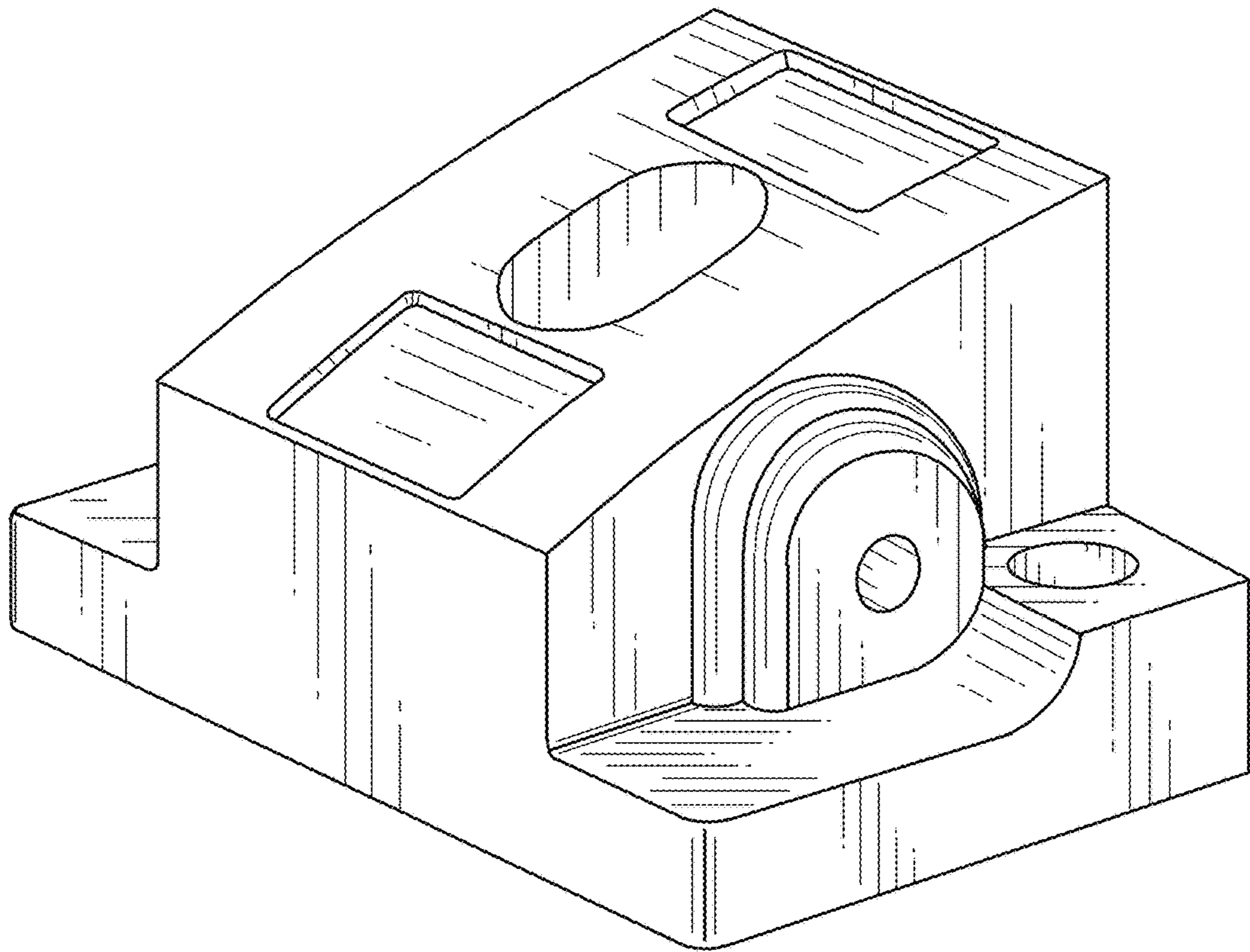


Fig. 7